



US00D658214S

(12) **United States Design Patent**
Seo et al.

(10) **Patent No.:** **US D658,214 S**

(45) **Date of Patent:** **** *Apr. 24, 2012**

(54) **REFRIGERATOR**

(75) Inventors: **Woonkyu Seo**, Seoul (KR); **Daesung Lee**, Gyeonggi-do (KR); **Youngsoo Ha**, Seoul (KR); **Sunil Cho**, Gyeonggi-do (KR)

(73) Assignee: **LG Electronics Inc.**, Seoul (KR)

(*) Notice: This patent is subject to a terminal disclaimer.

(**) Term: **14 Years**

(21) Appl. No.: **29/387,826**

(22) Filed: **Mar. 18, 2011**

(30) **Foreign Application Priority Data**

Sep. 20, 2010 (KR) 30-2010-0041815

(51) **LOC (9) Cl.** **15-07**

(52) **U.S. Cl.** **D15/86**

(58) **Field of Classification Search** D15/79-91;
62/3.6, 3.63, 3.64, 293, 331, 371, 440-445,
62/467; 312/112-119, 236, 400-408, 138.1
See application file for complete search history.

(56) **References Cited**

U.S. PATENT DOCUMENTS

D190,777 S *	6/1961	Collins et al.	D15/86
D502,711 S *	3/2005	Floeter et al.	D15/86
D522,541 S *	6/2006	Kim et al.	D15/86
D523,033 S *	6/2006	Kim et al.	D15/86
D527,398 S *	8/2006	Kim et al.	D15/86

D541,828 S *	5/2007	Nishibori et al.	D15/87
D601,596 S *	10/2009	Yoon et al.	D15/85
D615,564 S *	5/2010	Kristiansen et al.	D15/86
D615,565 S *	5/2010	Kristiansen et al.	D15/86

* cited by examiner

Primary Examiner — Mitchell Siegel

(74) *Attorney, Agent, or Firm* — Morgan, Lewis & Bockius LLP

(57) **CLAIM**

The ornamental design for a refrigerator, as shown and described.

DESCRIPTION

FIG. 1 is a perspective view of a refrigerator showing our new design;

FIG. 2 is a front view thereof;

FIG. 3 is a rear view thereof;

FIG. 4 is a left side view thereof where the right side view is a mirror image;

FIG. 5 is a top plan view thereof;

FIG. 6 is a bottom plan view thereof;

FIG. 7 is a perspective view thereof showing the state that all the doors of the refrigerator have been closed;

FIG. 8 is a perspective view of FIG. 7 showing the state that the drawer at the middle of the refrigerator has been opened;

FIG. 9 is a perspective view of FIG. 1 showing the state that all the doors of the refrigerator have been further opened;

FIG. 10 is another perspective view of FIG. 1 showing the state that all the doors of the refrigerator have been further opened; and,

FIG. 11 is a perspective view of the refrigerator thereof, the door shown in an alternate state.

The broken lines shown in FIG. 11 are for illustrative purposes only and form no part of the claimed design.

1 Claim, 11 Drawing Sheets

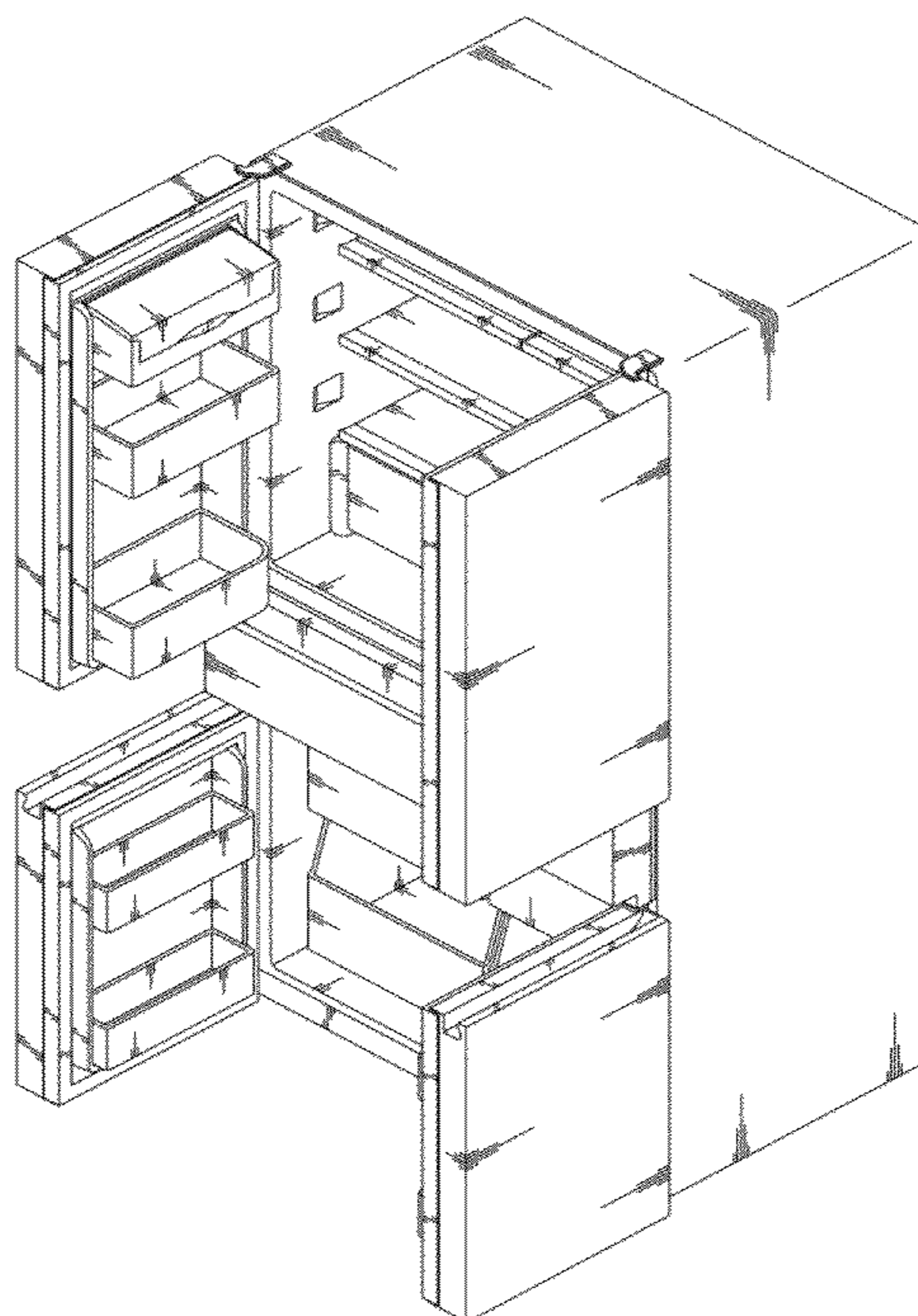


FIG. 1

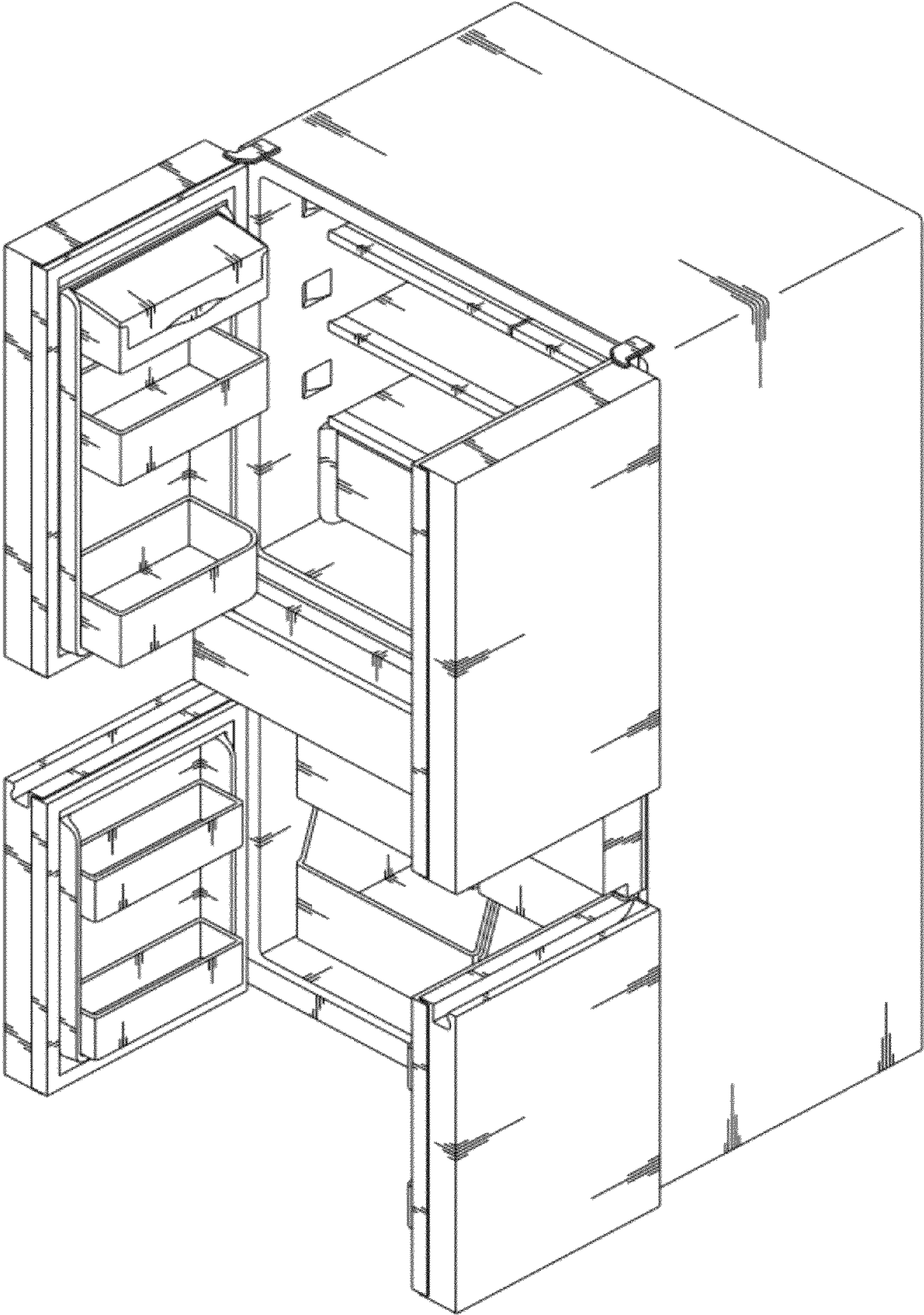


FIG. 2

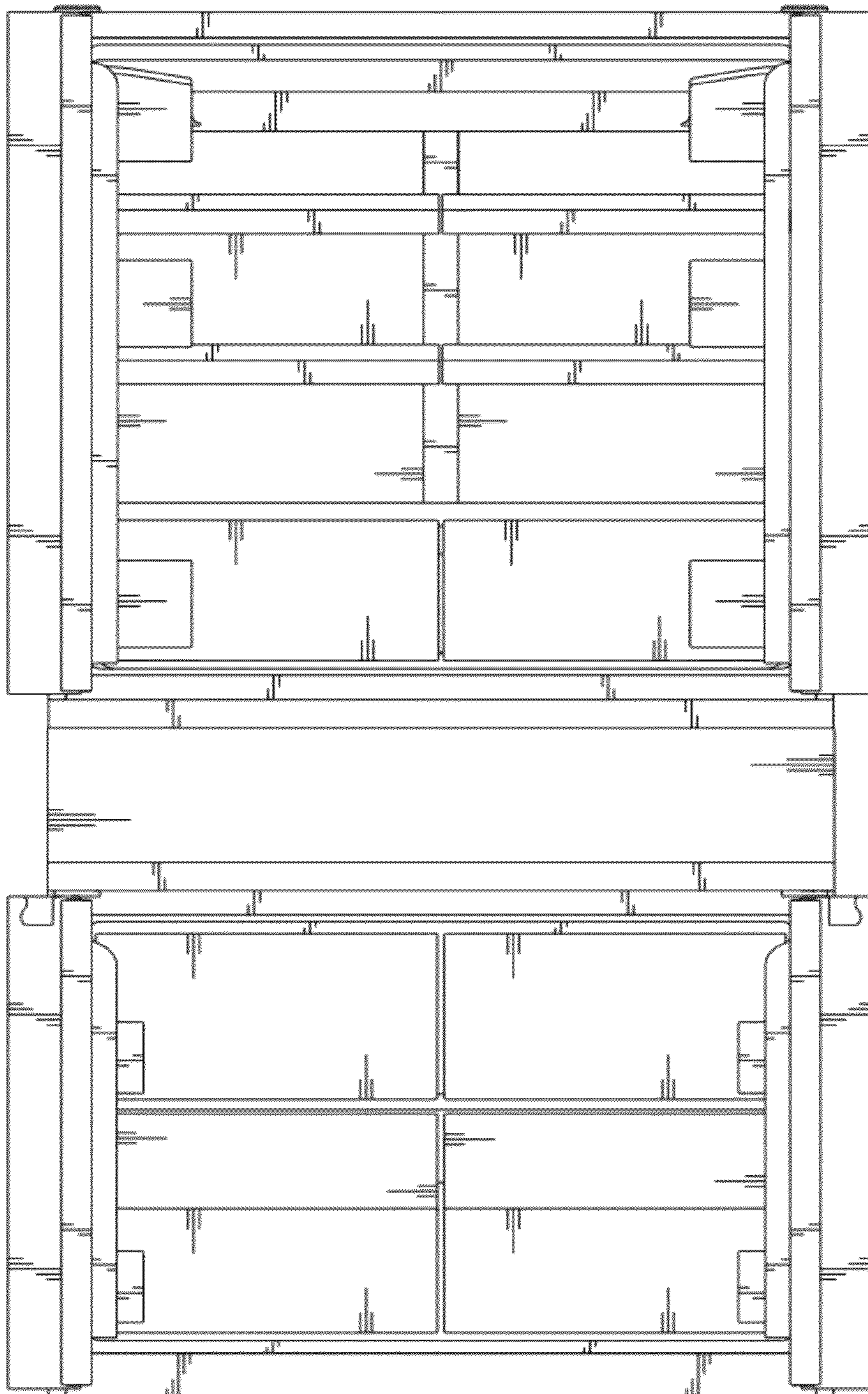


FIG. 3

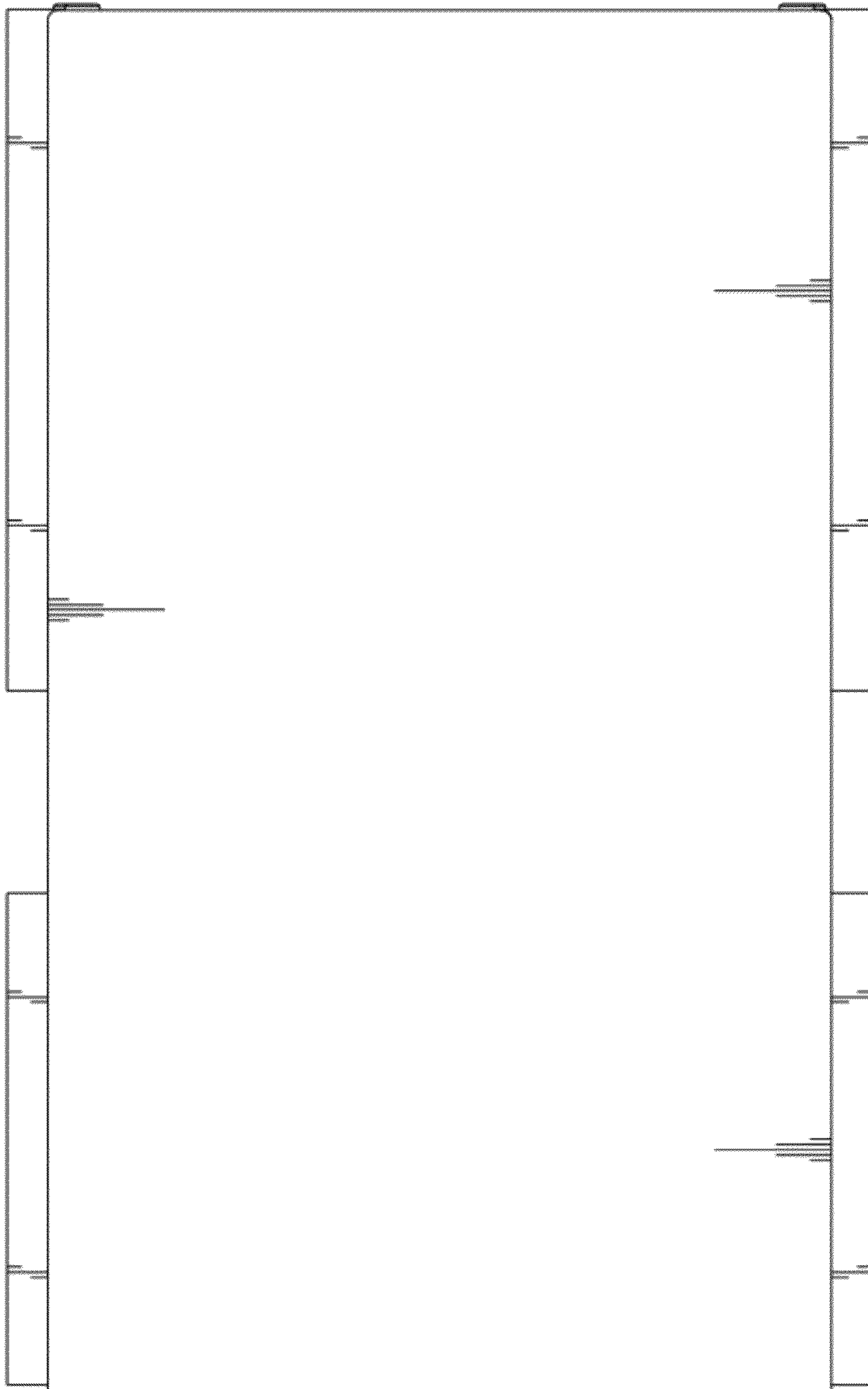


FIG. 4

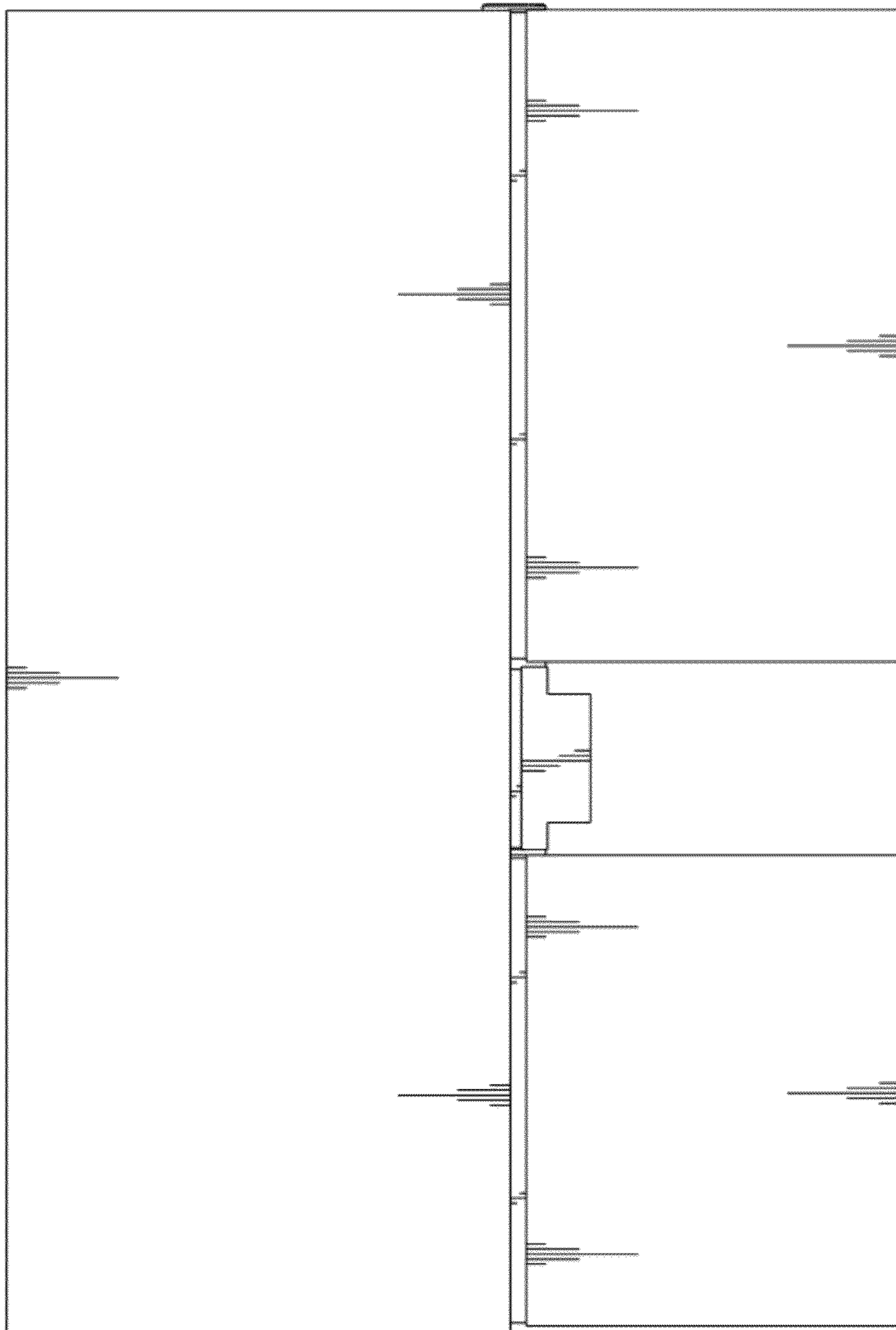


FIG. 5

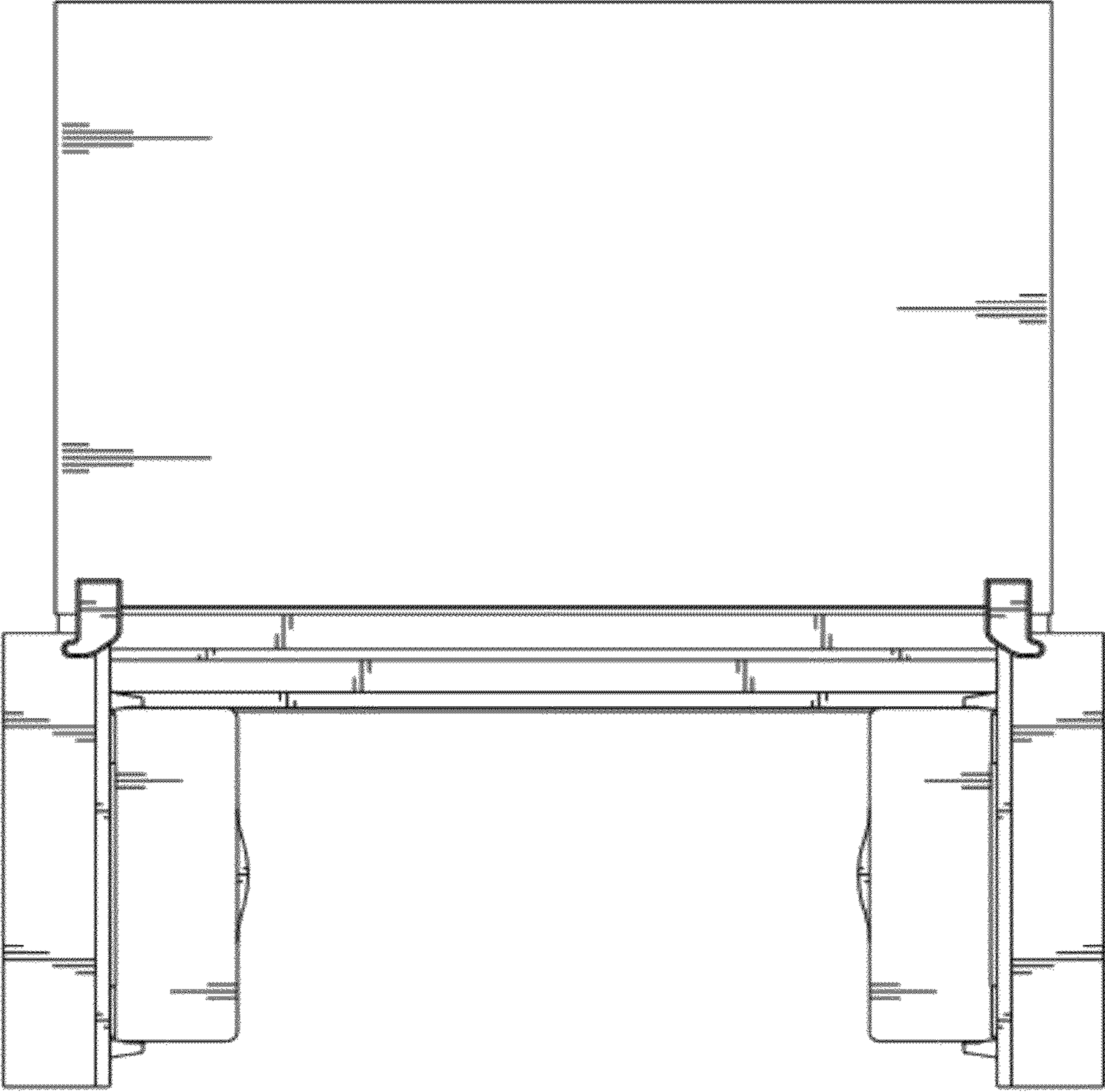


FIG. 6

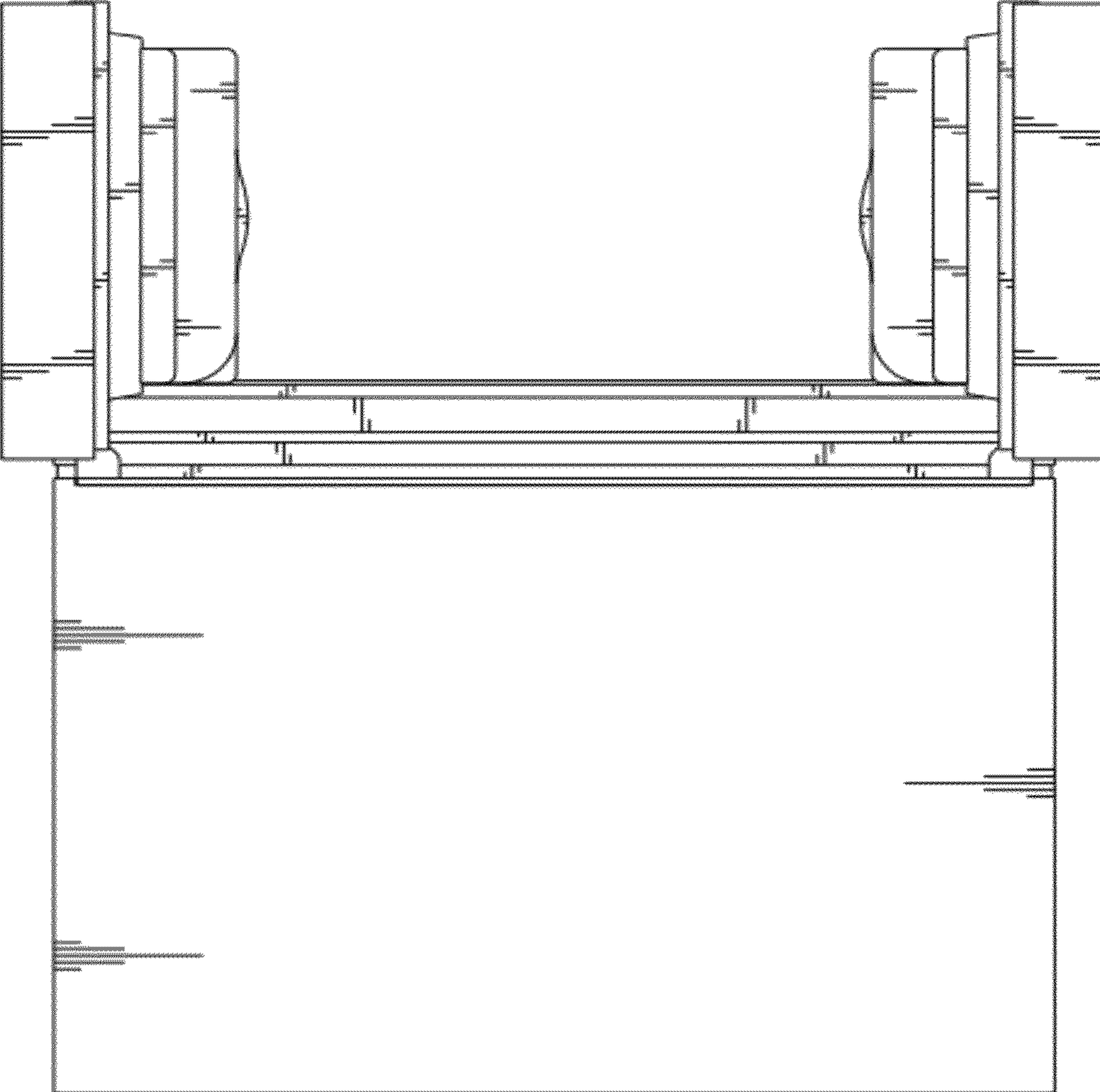


FIG. 7

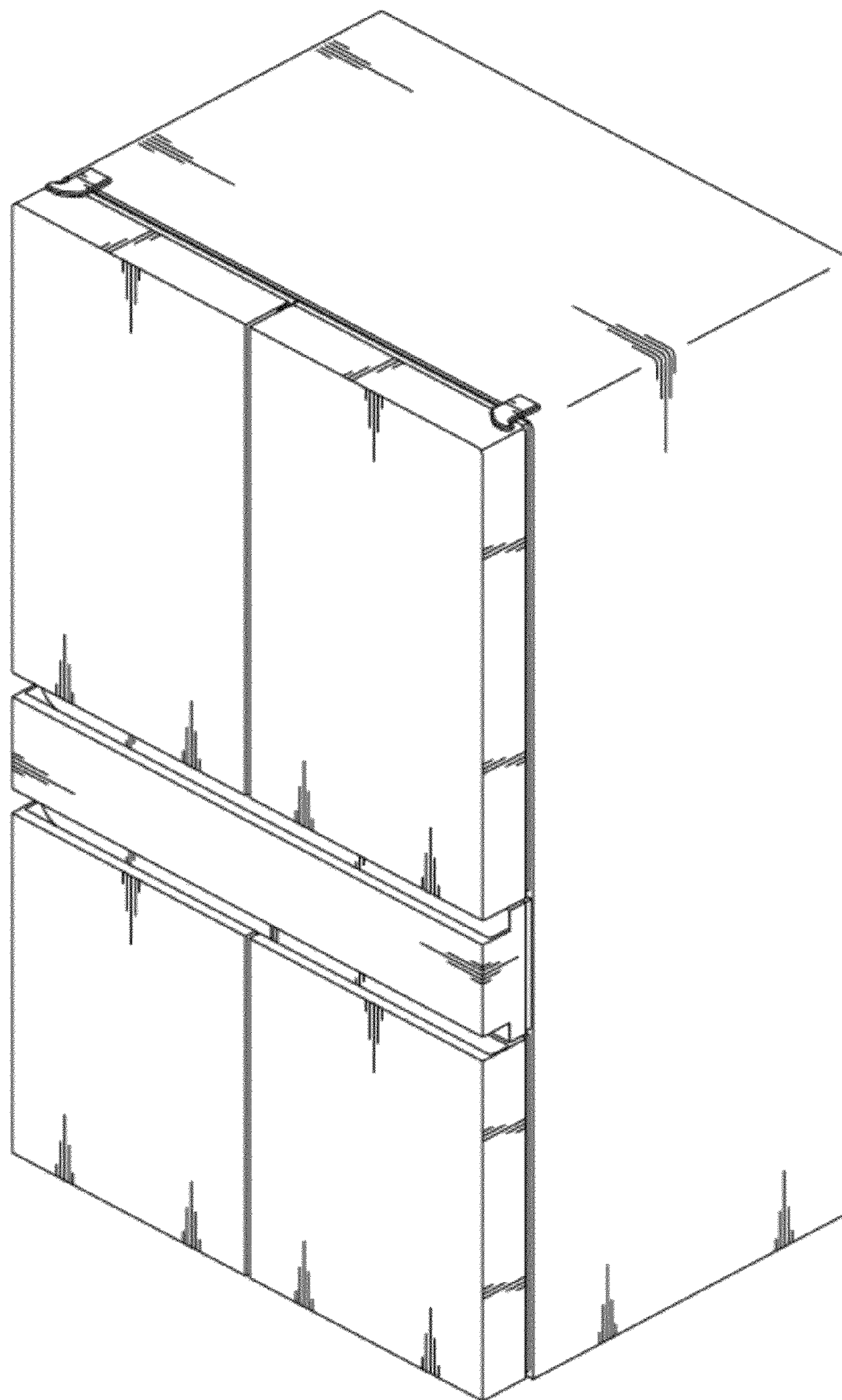


FIG. 8

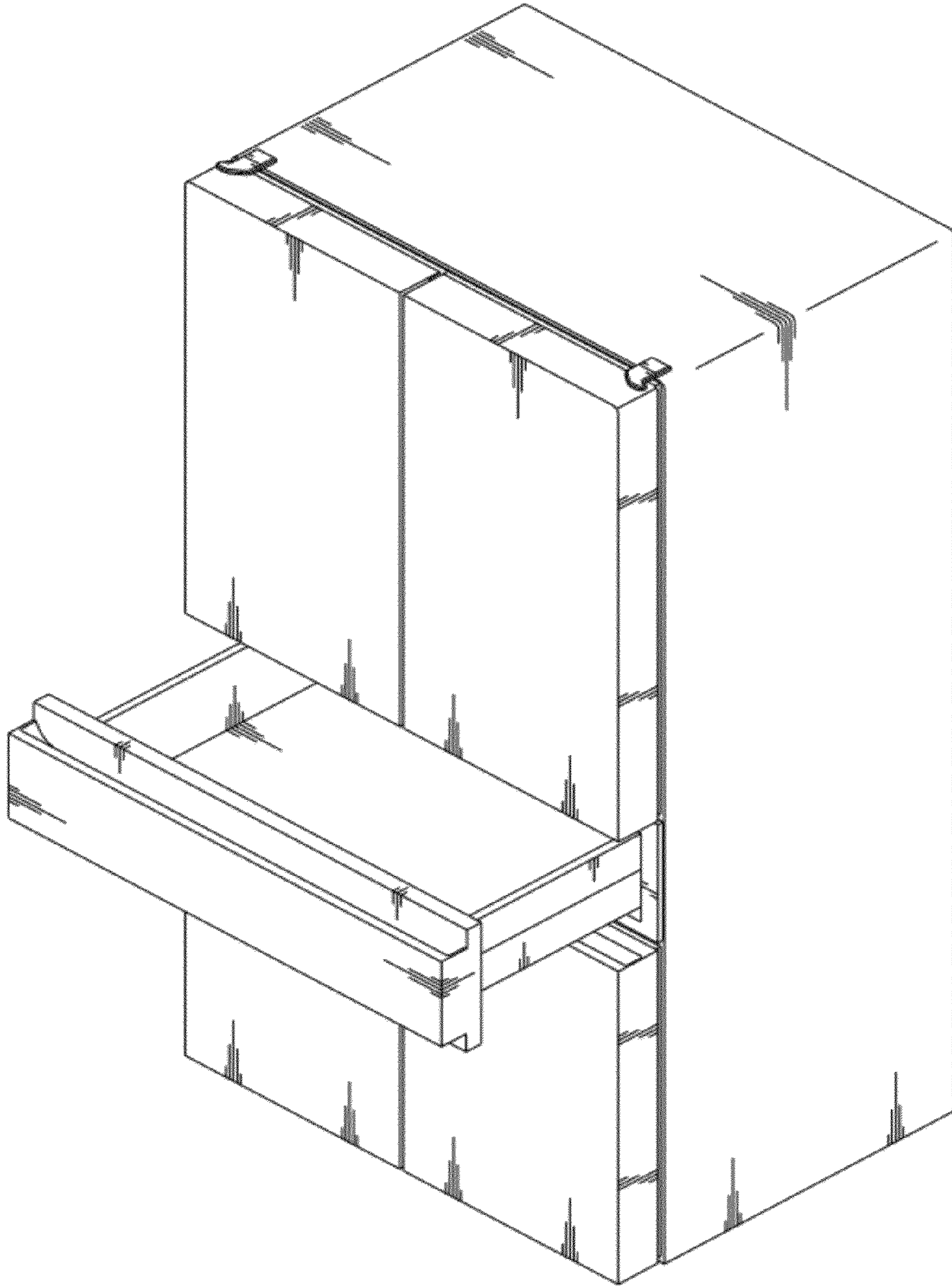


FIG. 9

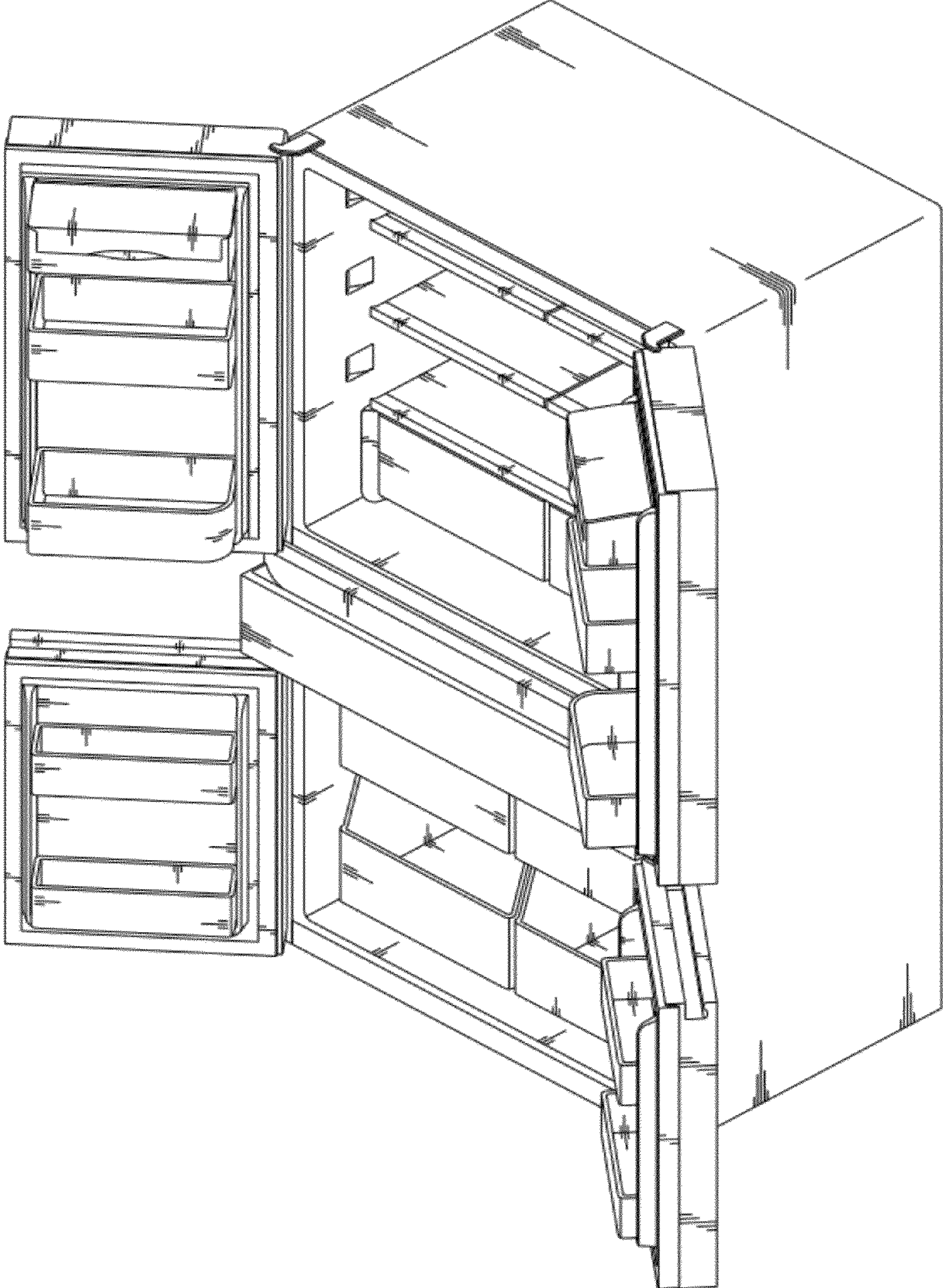


FIG. 10

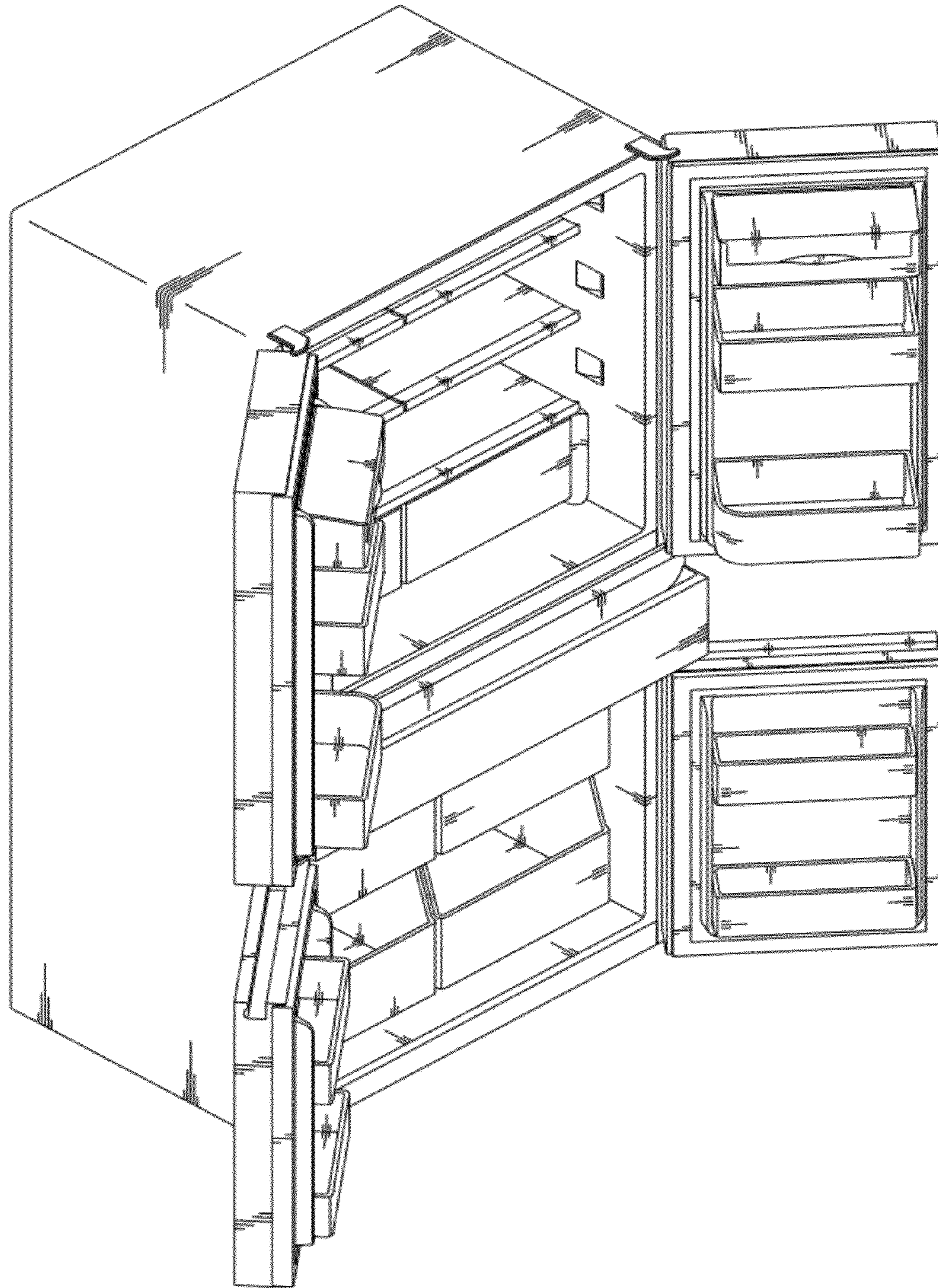


FIG. 11

