



US00D658212S

(12) **United States Design Patent**
Congiu

(10) **Patent No.:** **US D658,212 S**

(45) **Date of Patent:** **** Apr. 24, 2012**

(54) **SEWING MACHINE**

(75) **Inventor:** **Pierpaolo Congiu, Eibar (ES)**

(73) **Assignee:** **Janome Sewing Machine Company Limited, Tokyo (JP)**

(**) **Term:** **14 Years**

(21) **Appl. No.:** **29/381,434**

(22) **Filed:** **Dec. 20, 2010**

(30) **Foreign Application Priority Data**

Oct. 5, 2010 (EM) 001763509-0002

(51) **LOC (9) Cl.** **15-06**

(52) **U.S. Cl.** **D15/69**

(58) **Field of Classification Search** D15/66-76;
112/2, 78, 154, 475.01, 217.1-217.4, 256-261
See application file for complete search history.

(56) **References Cited**

U.S. PATENT DOCUMENTS

- D247,901 S * 5/1978 Fresard D15/70
- D289,298 S * 4/1987 Eguchi et al. D15/69
- D337,772 S * 7/1993 Kuroki D15/70

- D433,690 S * 11/2000 Kuroki D15/70
- D435,052 S * 12/2000 Kuroki D15/70
- D450,332 S * 11/2001 Kuroki et al. D15/69
- D450,719 S * 11/2001 Kuroki et al. D15/69
- D459,737 S * 7/2002 Kuroki D15/69
- D505,433 S * 5/2005 Kuroki D15/69
- D517,097 S * 3/2006 Kuroki D15/69
- D517,571 S * 3/2006 Kuroki D15/69
- D604,338 S * 11/2009 Kawaguchi D15/69

* cited by examiner

Primary Examiner — Mitchell Siegel

(74) *Attorney, Agent, or Firm* — Jacobson Holman PLLC

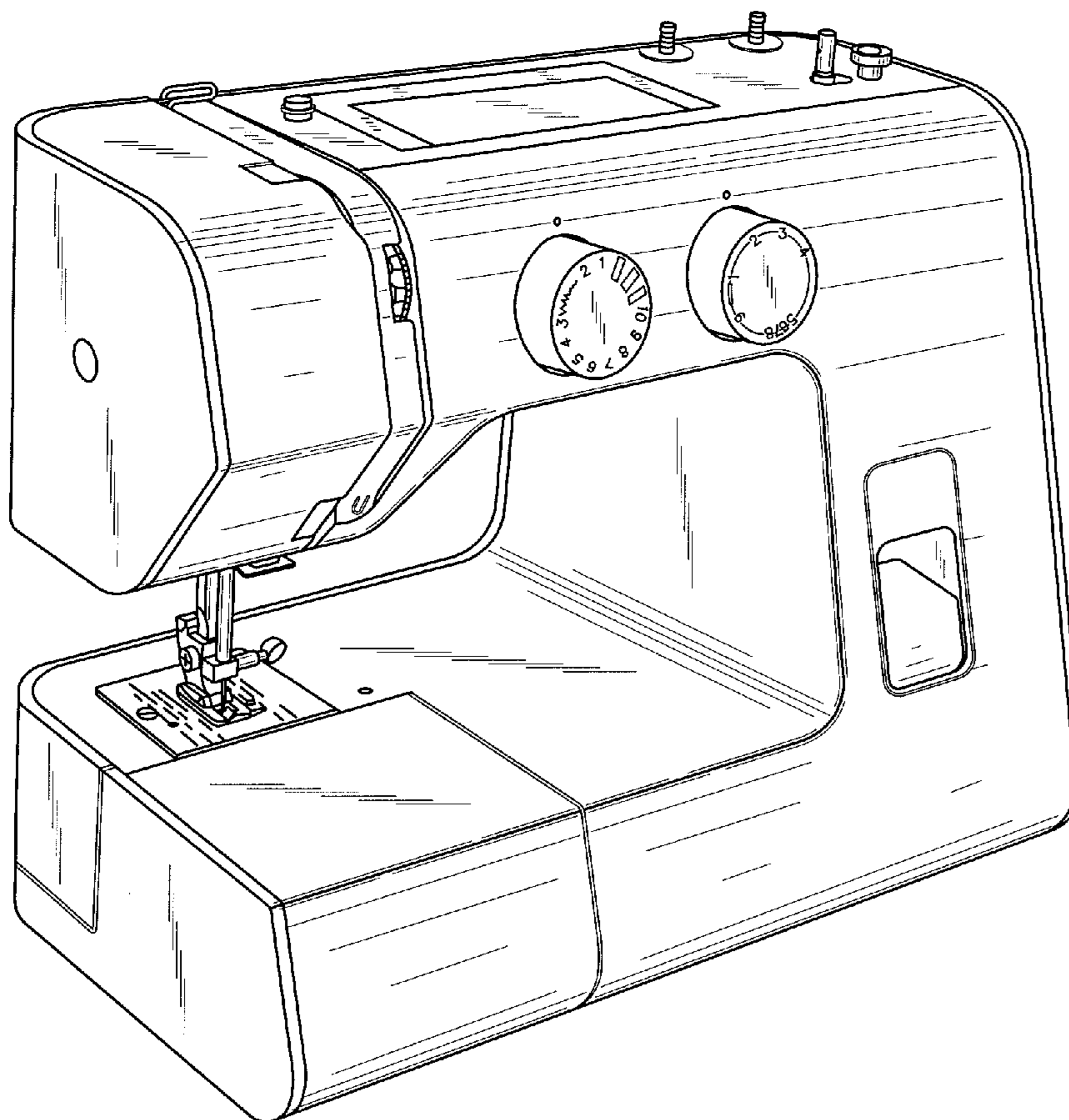
(57) **CLAIM**

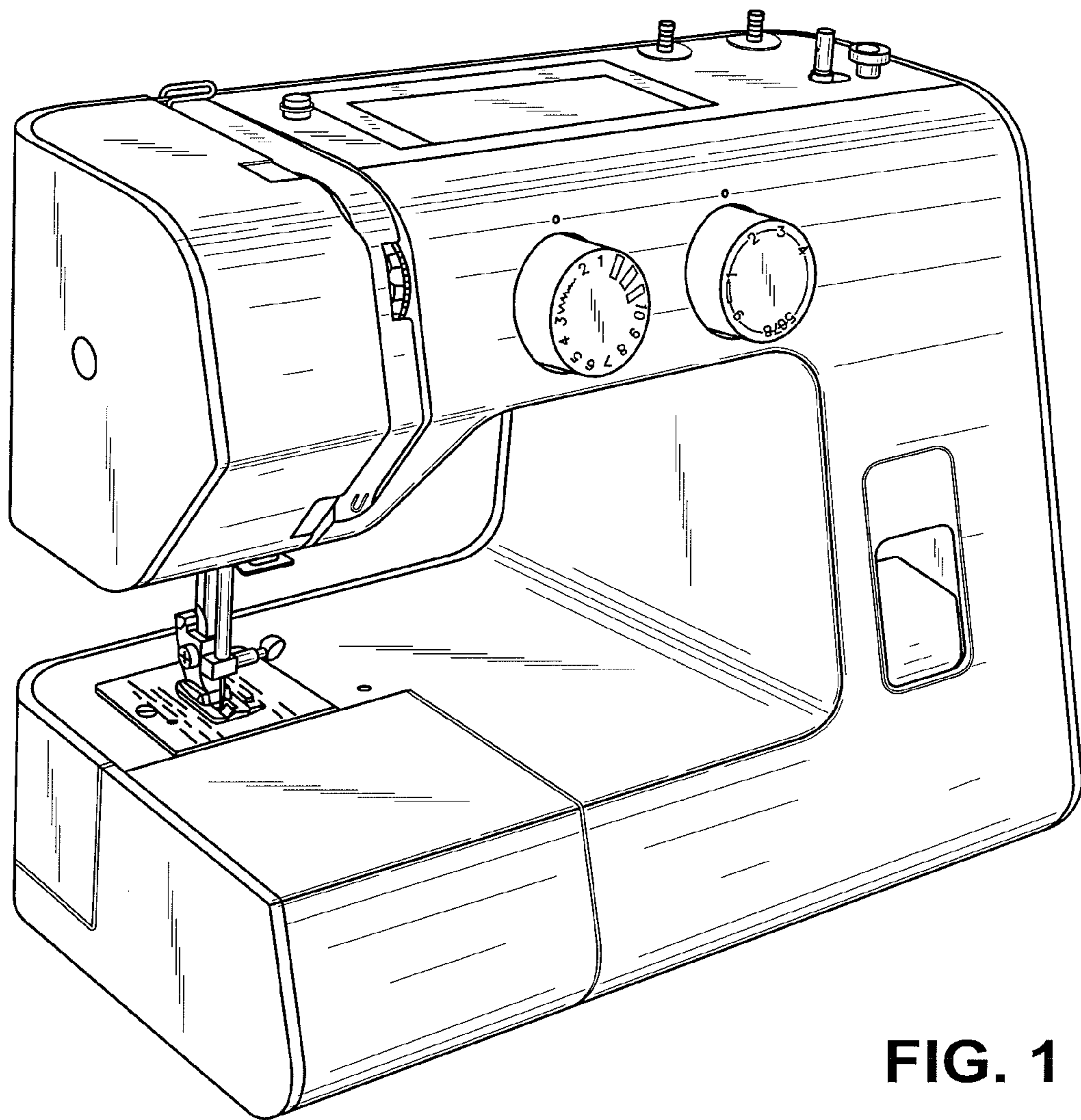
The ornamental design for a sewing machine, as shown and described.

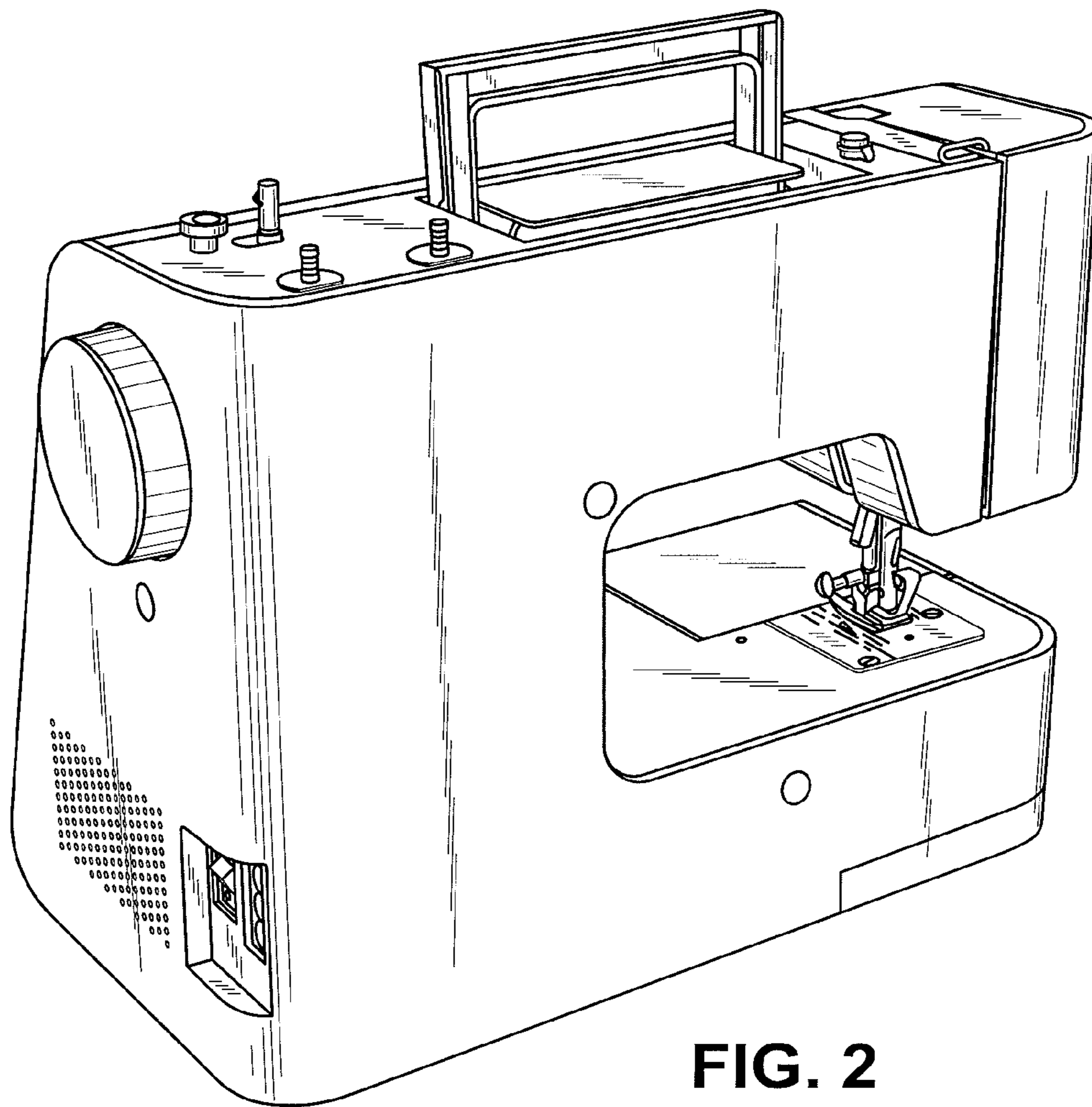
DESCRIPTION

FIG. 1 is a front perspective view of the sewing machine, FIG. 2 is a rear perspective view of the sewing machine with the carry handle in a raised position, FIG. 3 is a front view of the sewing machine of FIG. 1, FIG. 4 is a left-side view of the sewing machine of FIG. 1, FIG. 5 is a right-side view of the sewing machine of FIG. 1, FIG. 6 is a top view of the sewing machine of FIG. 1; and, FIG. 7 is a bottom view of the sewing machine of FIG. 1.

1 Claim, 6 Drawing Sheets







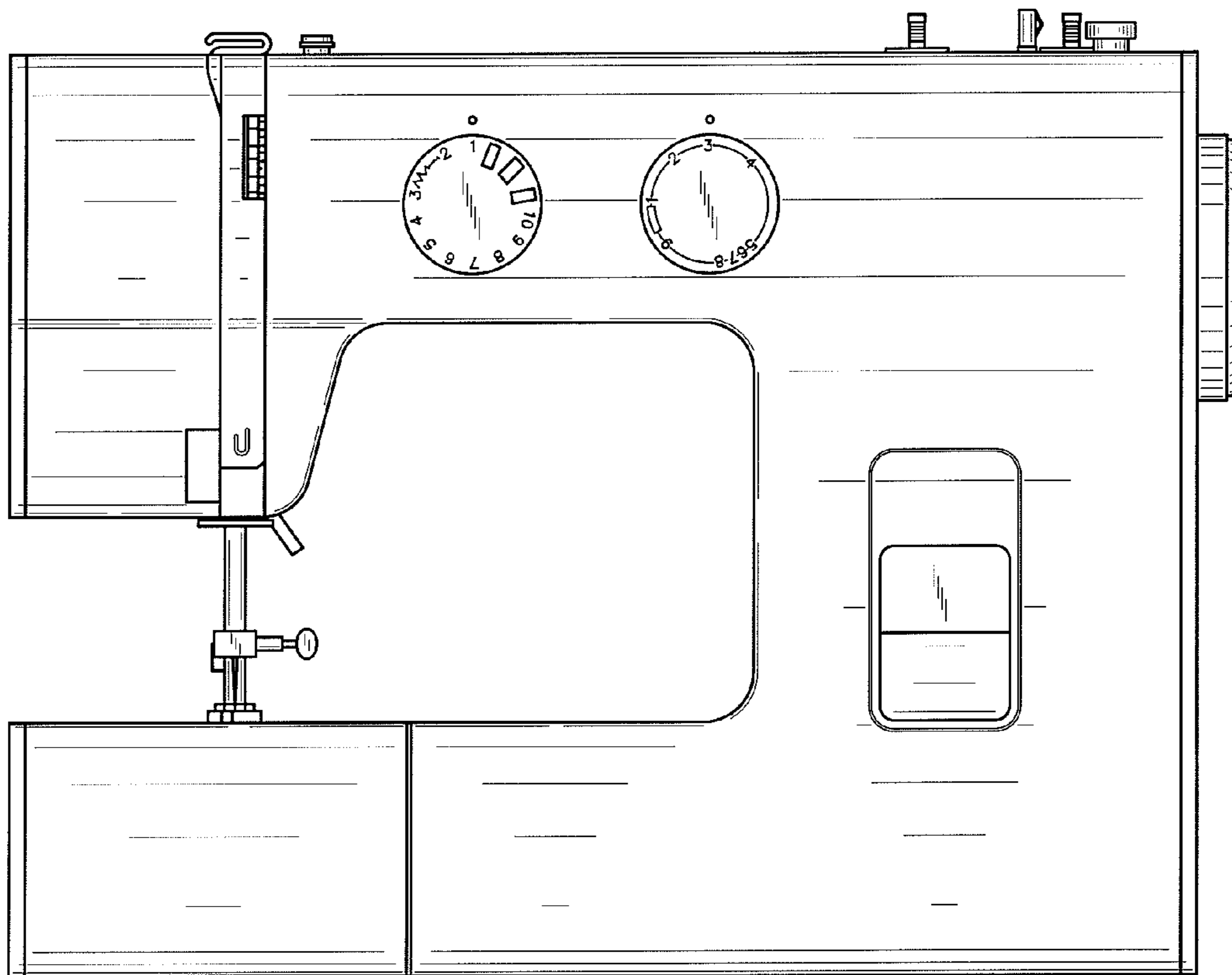


FIG. 3

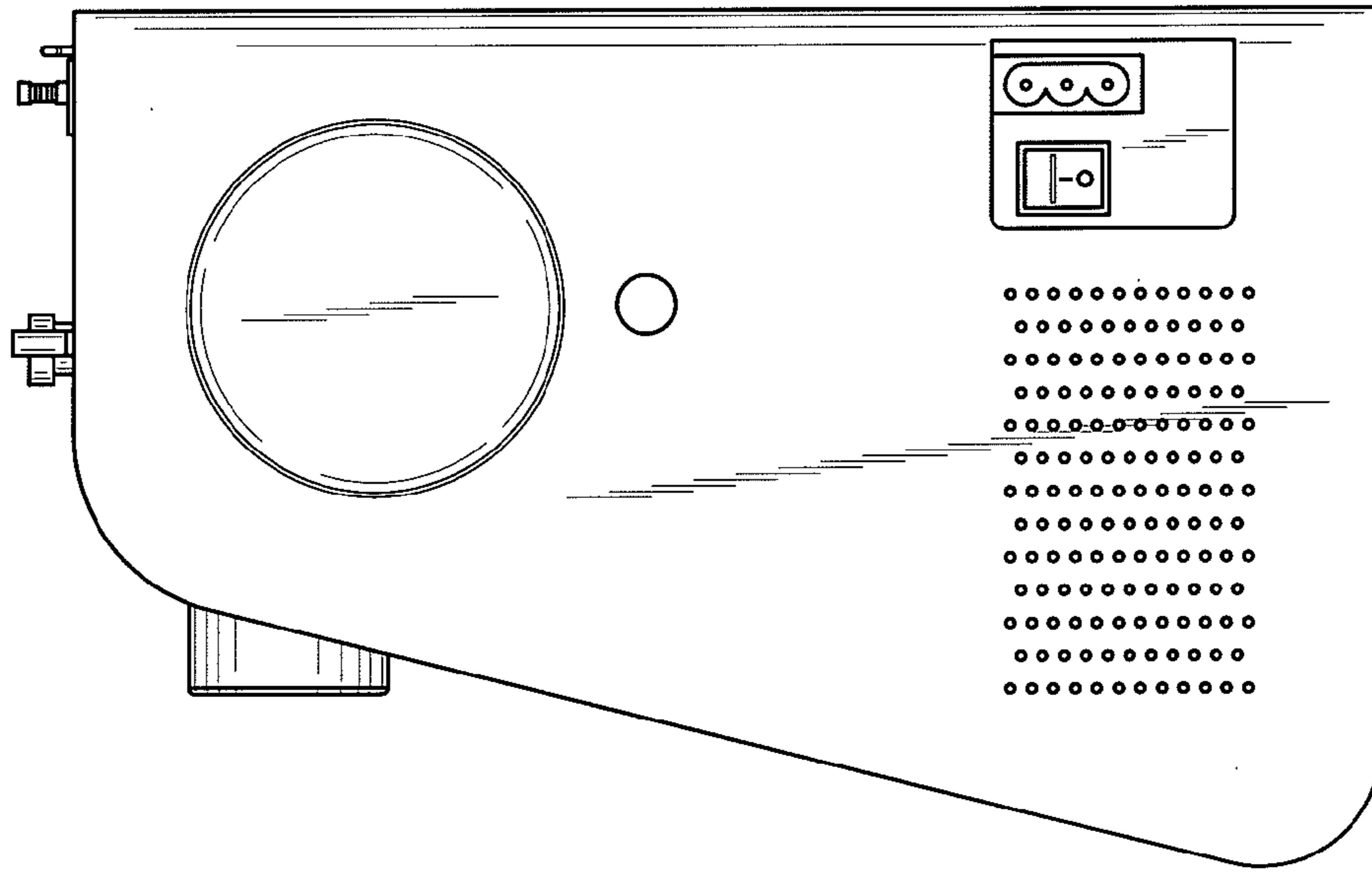


FIG. 5

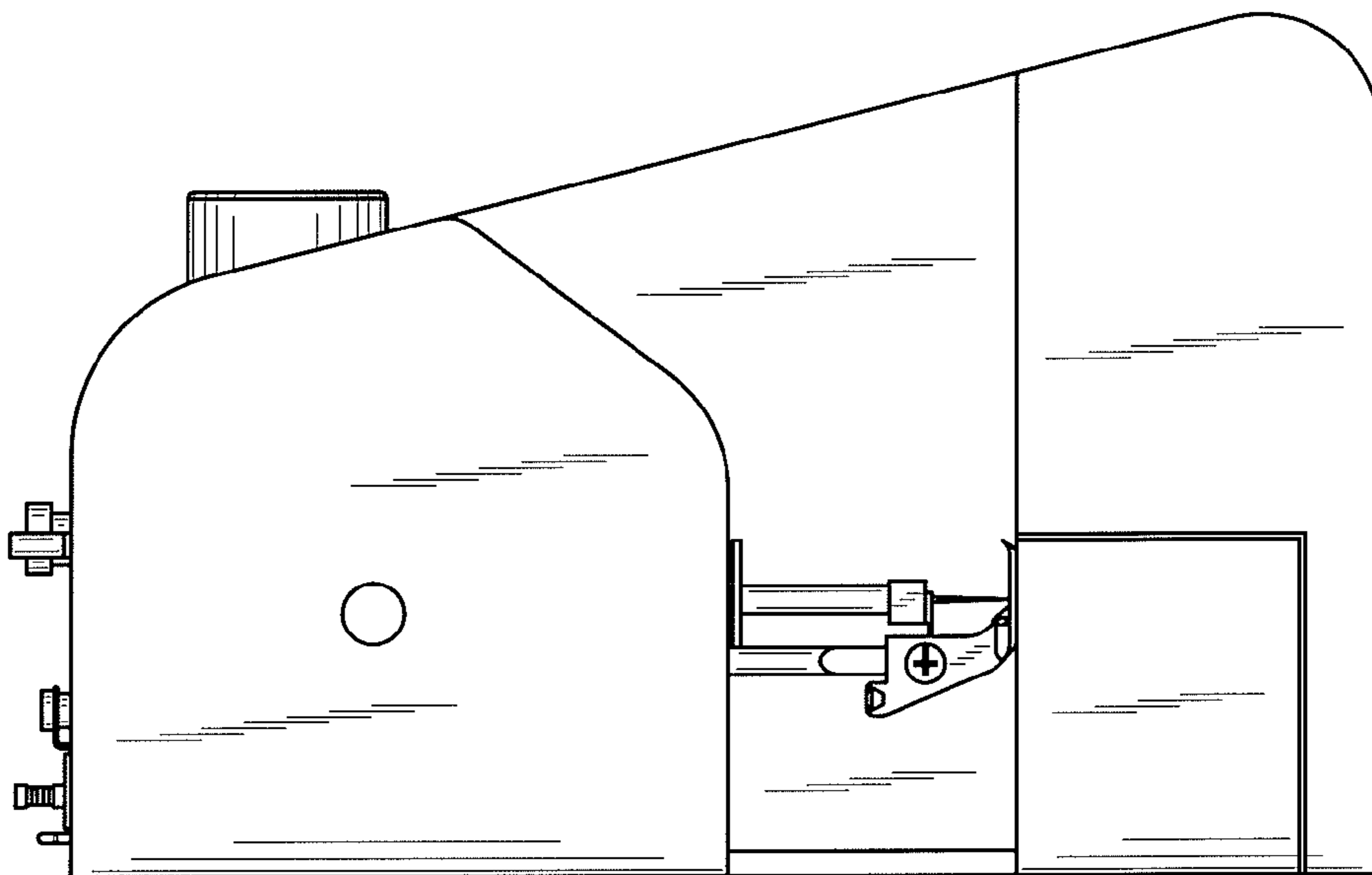


FIG. 4

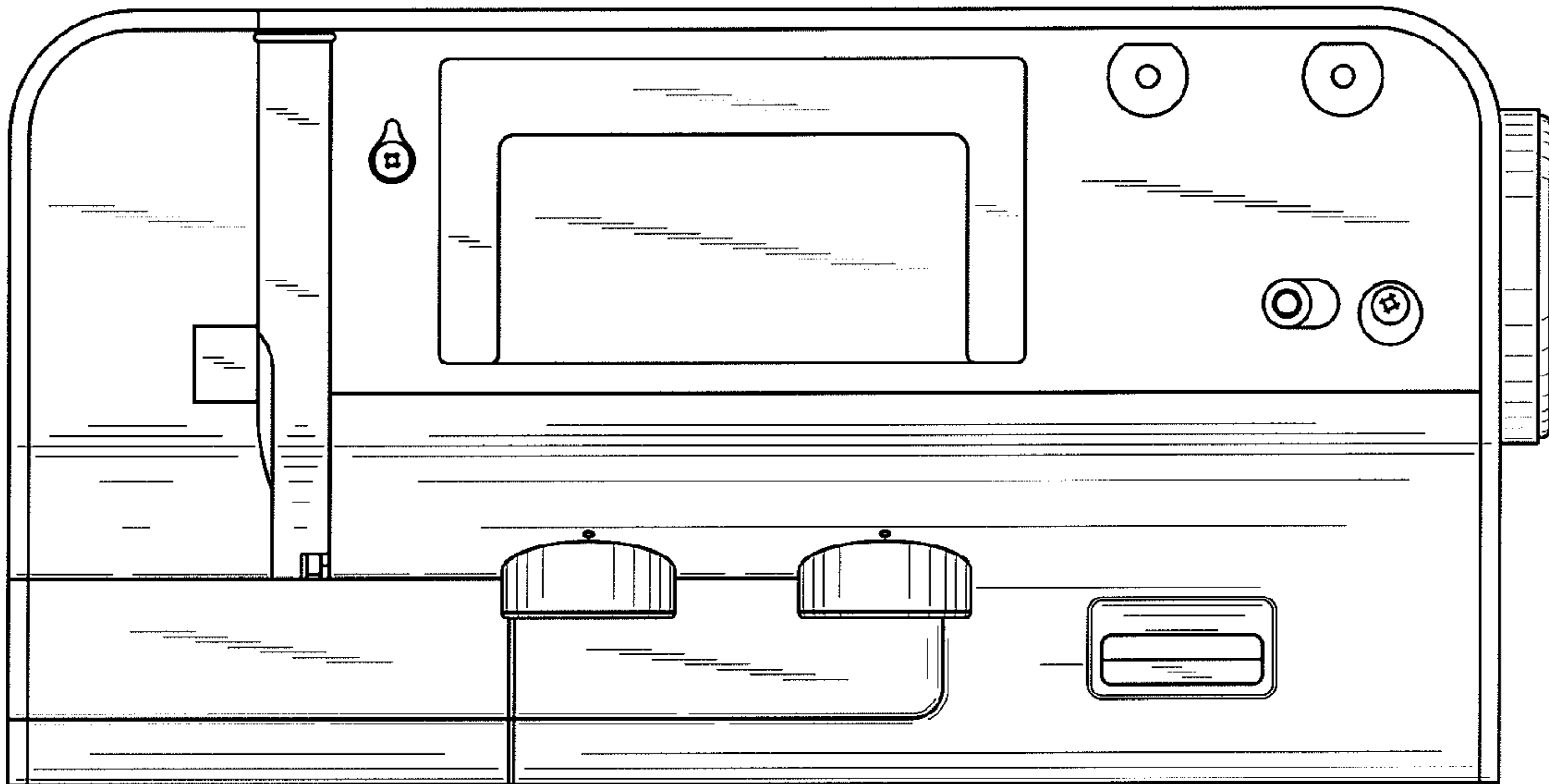


FIG. 6

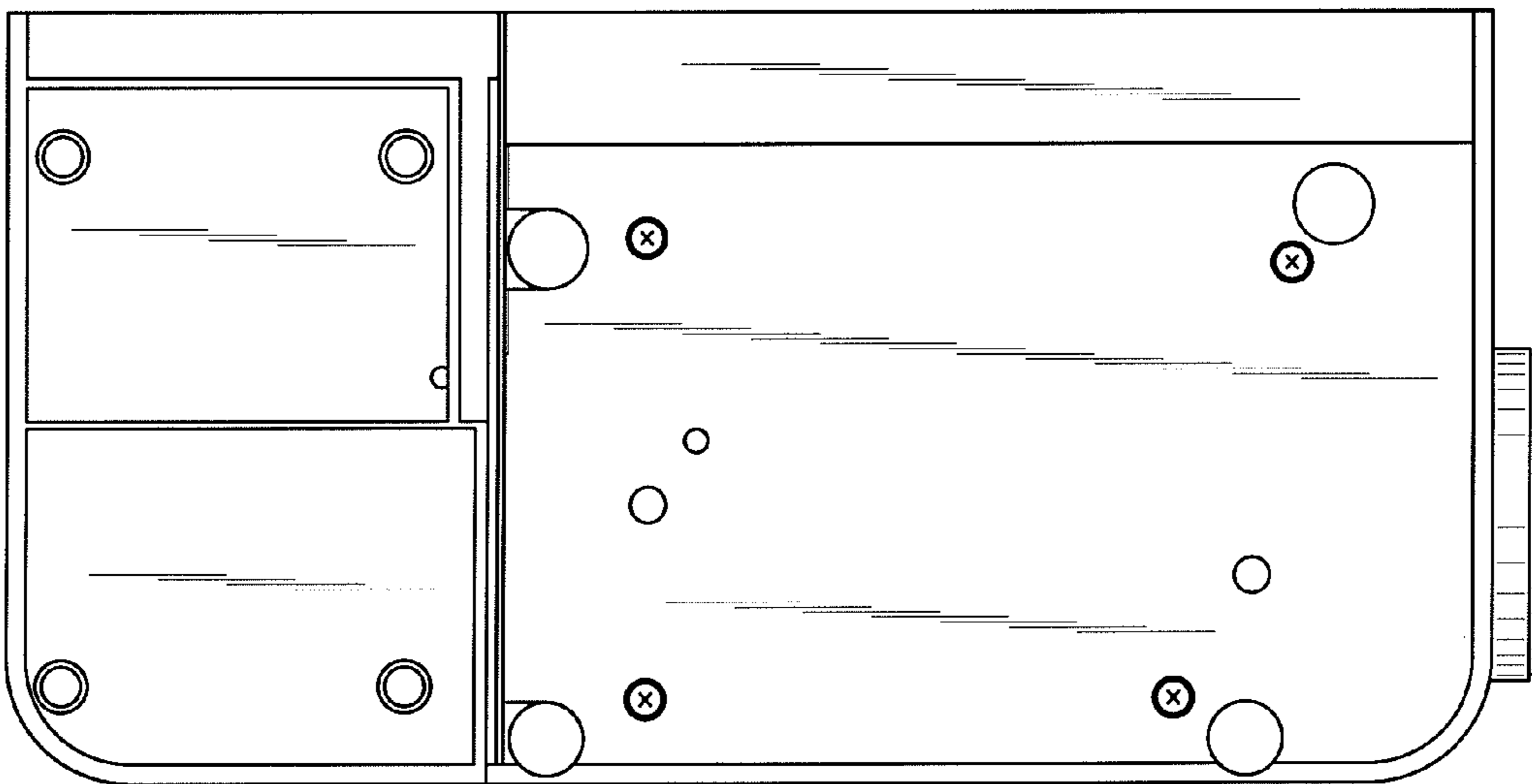


FIG. 7