



US00D658209S

(12) **United States Design Patent**
Pauwels et al.

(10) **Patent No.:** **US D658,209 S**

(45) **Date of Patent:** **** Apr. 24, 2012**

(54) **COMPRESSOR**

(75) Inventors: **Hans Pauwels**, Willebroek (BE); **Kris Frans G. Van Bosstraeten**, Niel (BE)

(73) Assignee: **Atlas Copco Airpower N.V.**, Wilrijk (BE)

(**) Term: **14 Years**

(21) Appl. No.: **29/393,663**

(22) Filed: **Jun. 8, 2011**

(30) **Foreign Application Priority Data**

Dec. 8, 2010 (EP) 001790866-0001

(51) **LOC (9) Cl.** **15-02**

(52) **U.S. Cl.** **D15/9**

(58) **Field of Classification Search** D15/7-9;
D23/231, 232, 225; 417/60, 235, 265, 321,
417/355, 358, 363, 359, 410.1, 415-416,
417/405, 900; 60/408, 412; 184/26-37;
415/140-147; 123/495, 509

See application file for complete search history.

(56) **References Cited**

U.S. PATENT DOCUMENTS

D249,265 S *	9/1978	Nanjo	D15/9
D387,778 S *	12/1997	Goodman et al.	D15/9
D391,579 S *	3/1998	Myers	D15/7
D445,115 S *	7/2001	Hutchinson et al.	D15/9
D516,584 S *	3/2006	Flatt et al.	D15/9
D565,602 S	4/2008	Van Bosstraeten	

* cited by examiner

Primary Examiner — Ralf Seifert

(74) *Attorney, Agent, or Firm* — Bacon & Thomas, PLLC

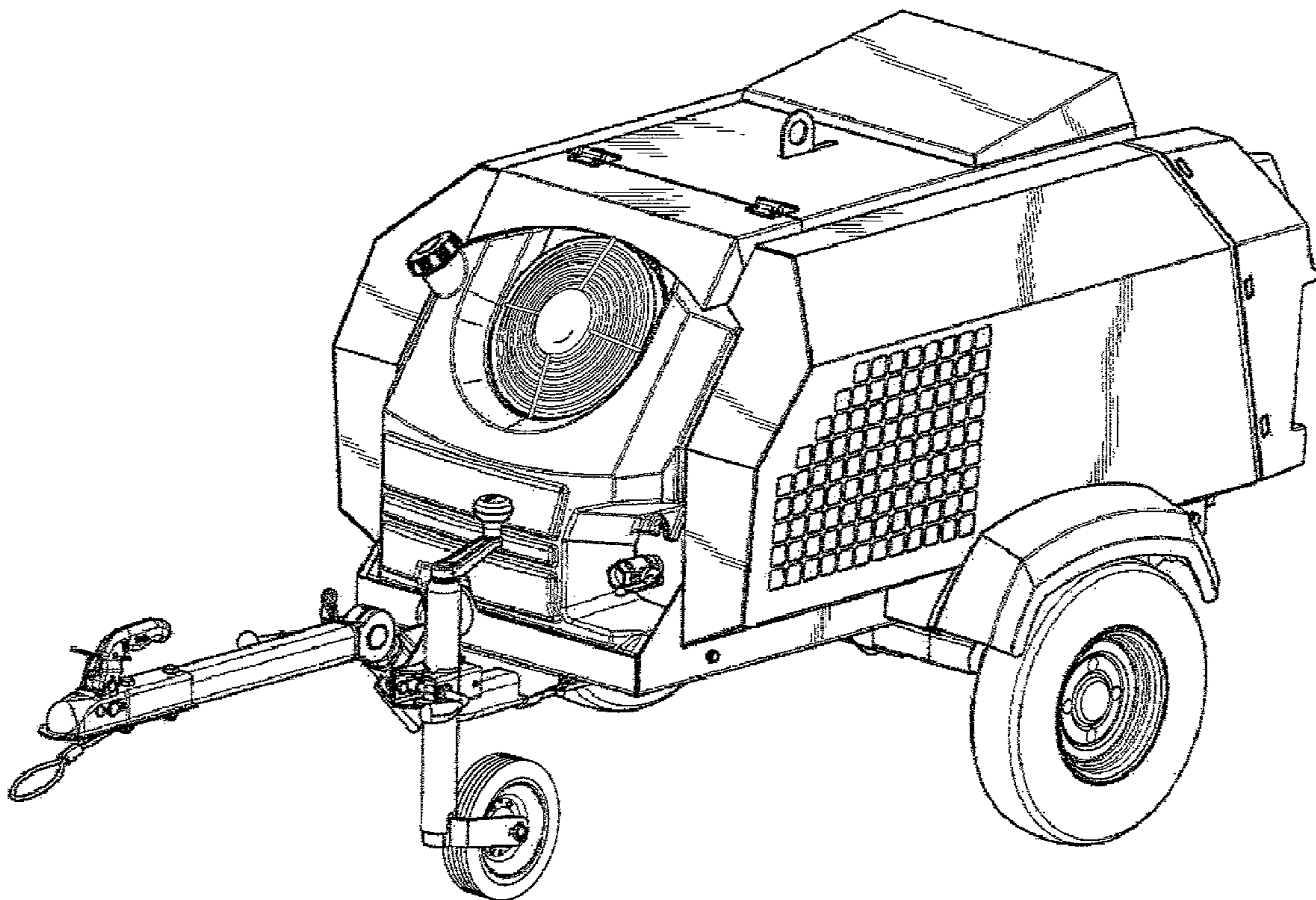
(57) **CLAIM**

We claim the ornamental design for compressor, as shown and described.

DESCRIPTION

FIG. 1 is a left front perspective view of our design for a compressor;
FIG. 2 is a left side elevation view thereof;
FIG. 3 is a front view thereof;
FIG. 4 is a right side view thereof;
FIG. 5 is a rear elevation view thereof;
FIG. 6 is a top plan view thereof; and,
FIG. 7 is a right rear perspective view thereof.

1 Claim, 7 Drawing Sheets



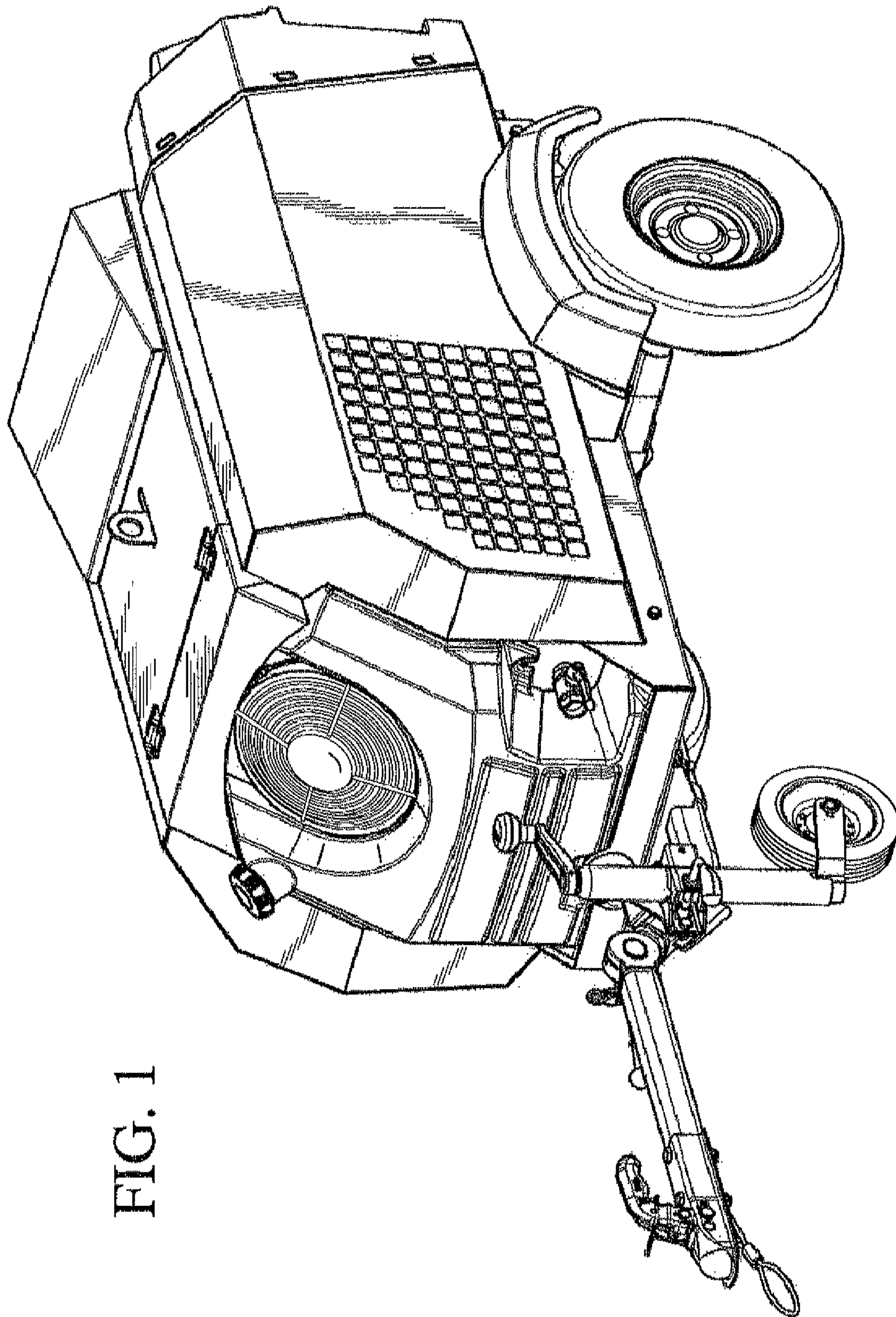


FIG. 1

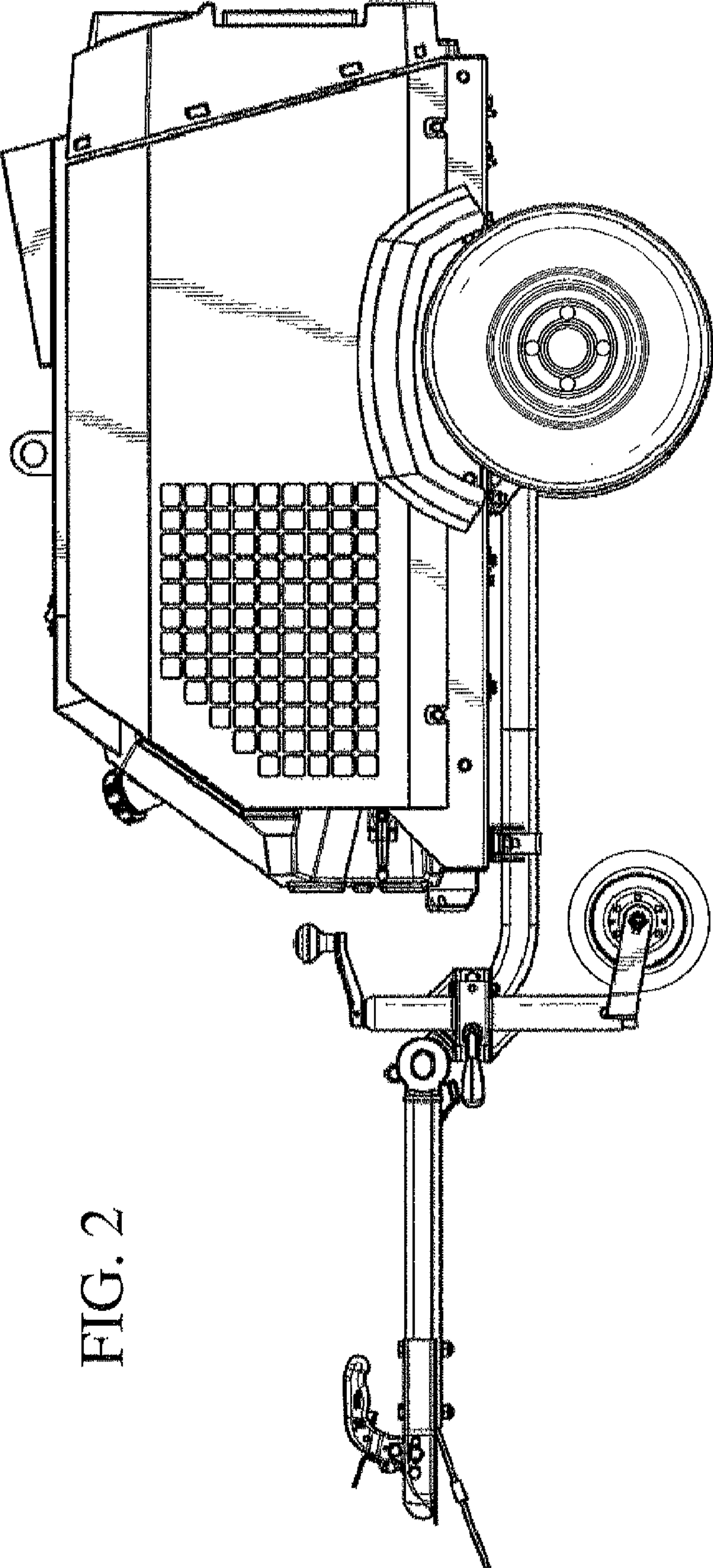


FIG. 2

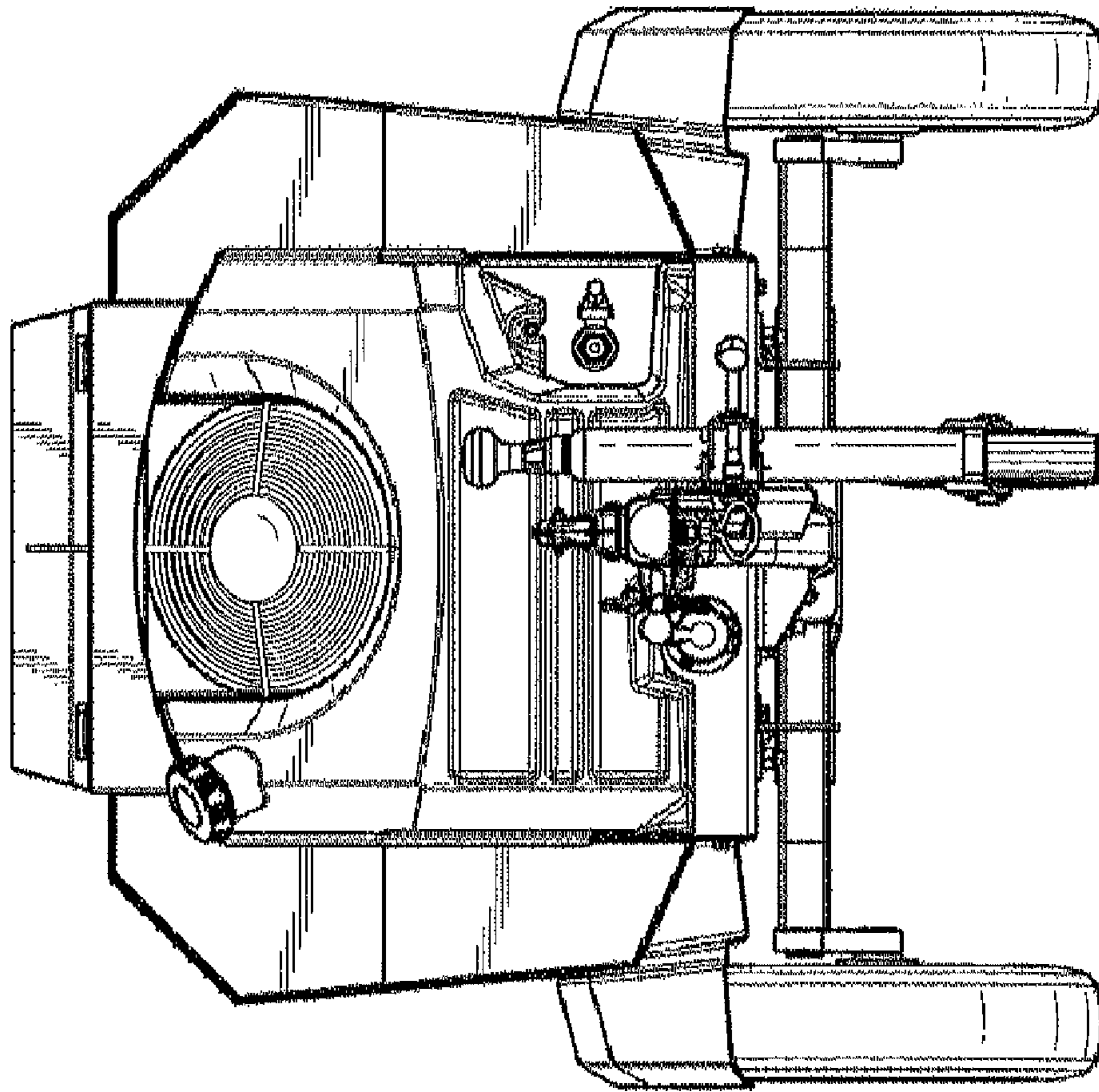
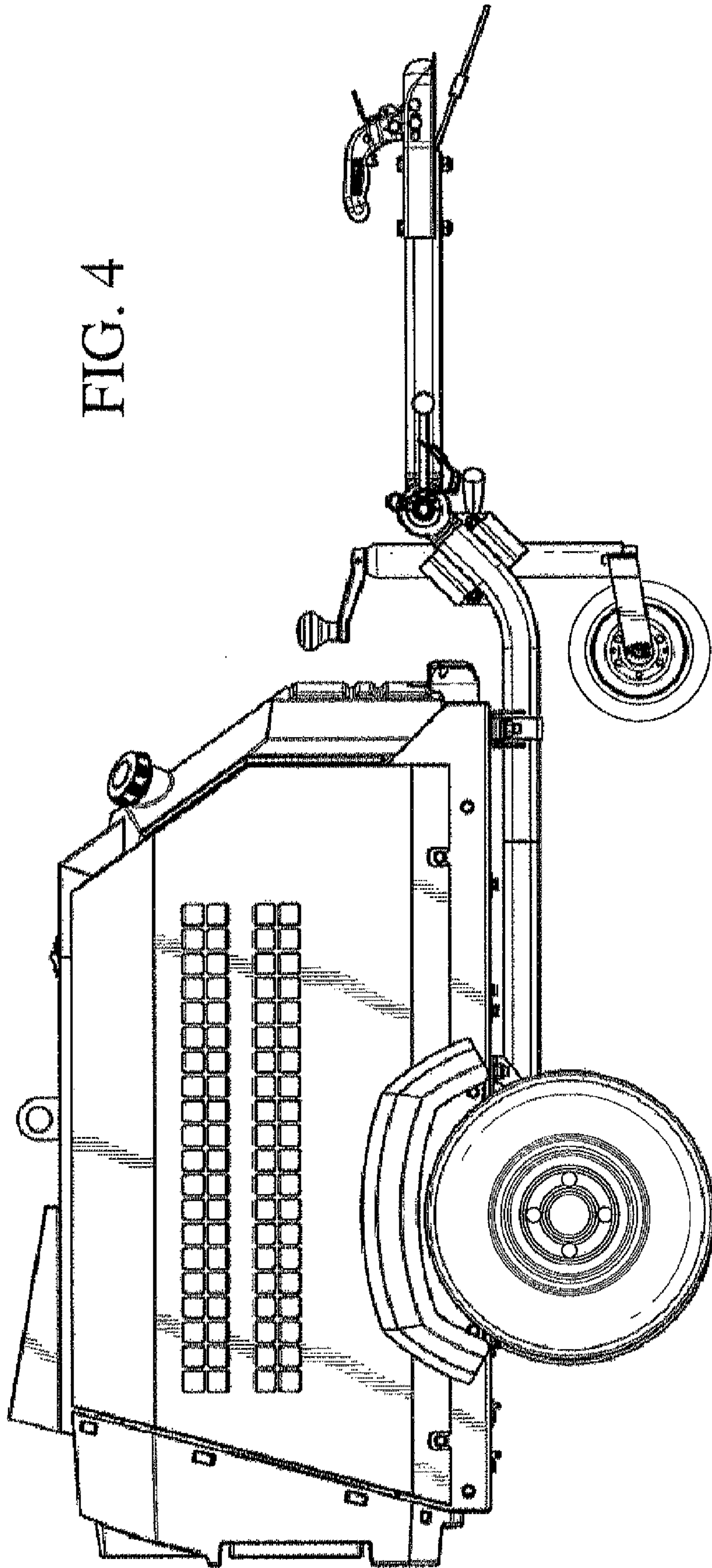


FIG. 3

FIG. 4



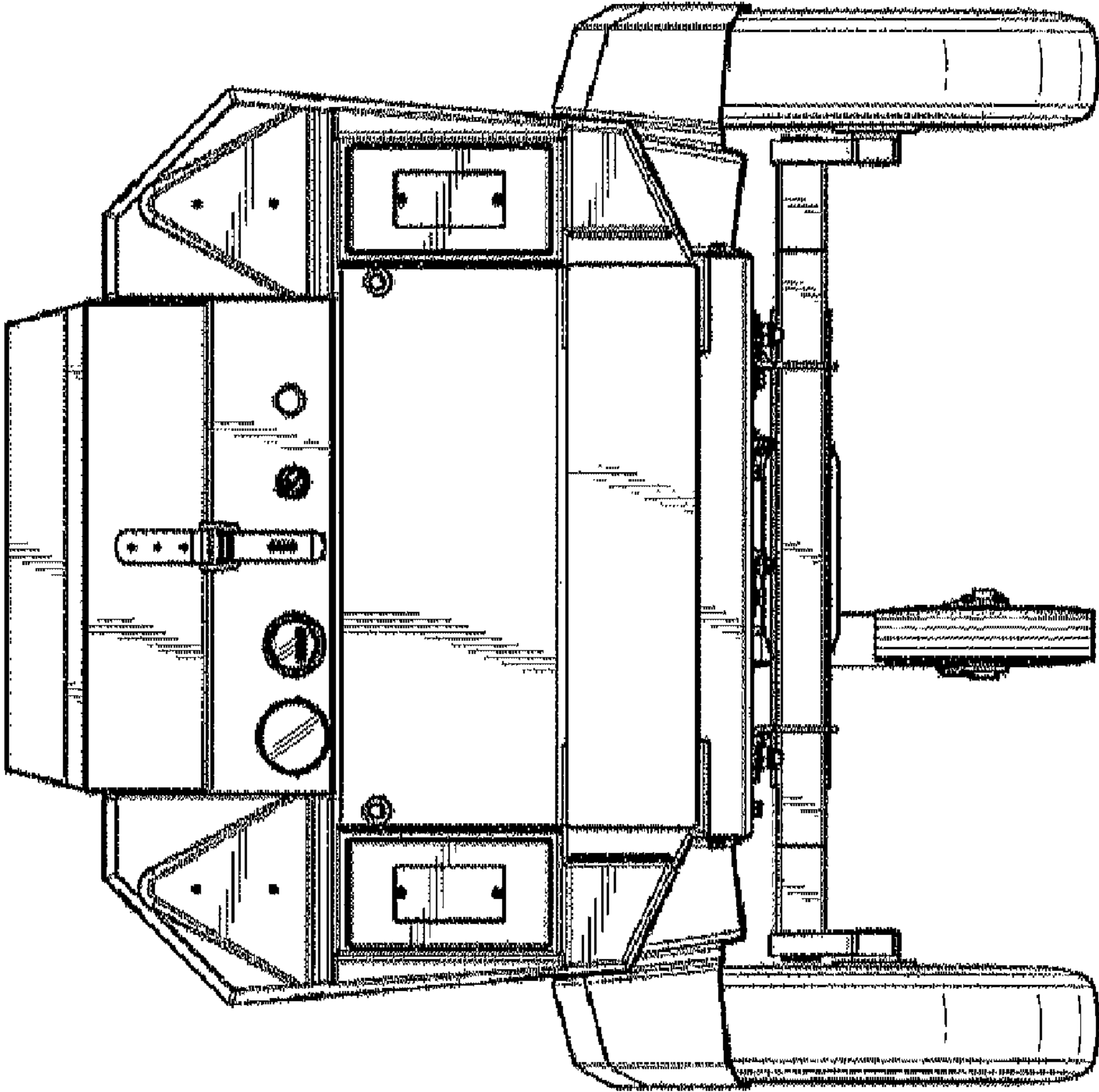


FIG. 5

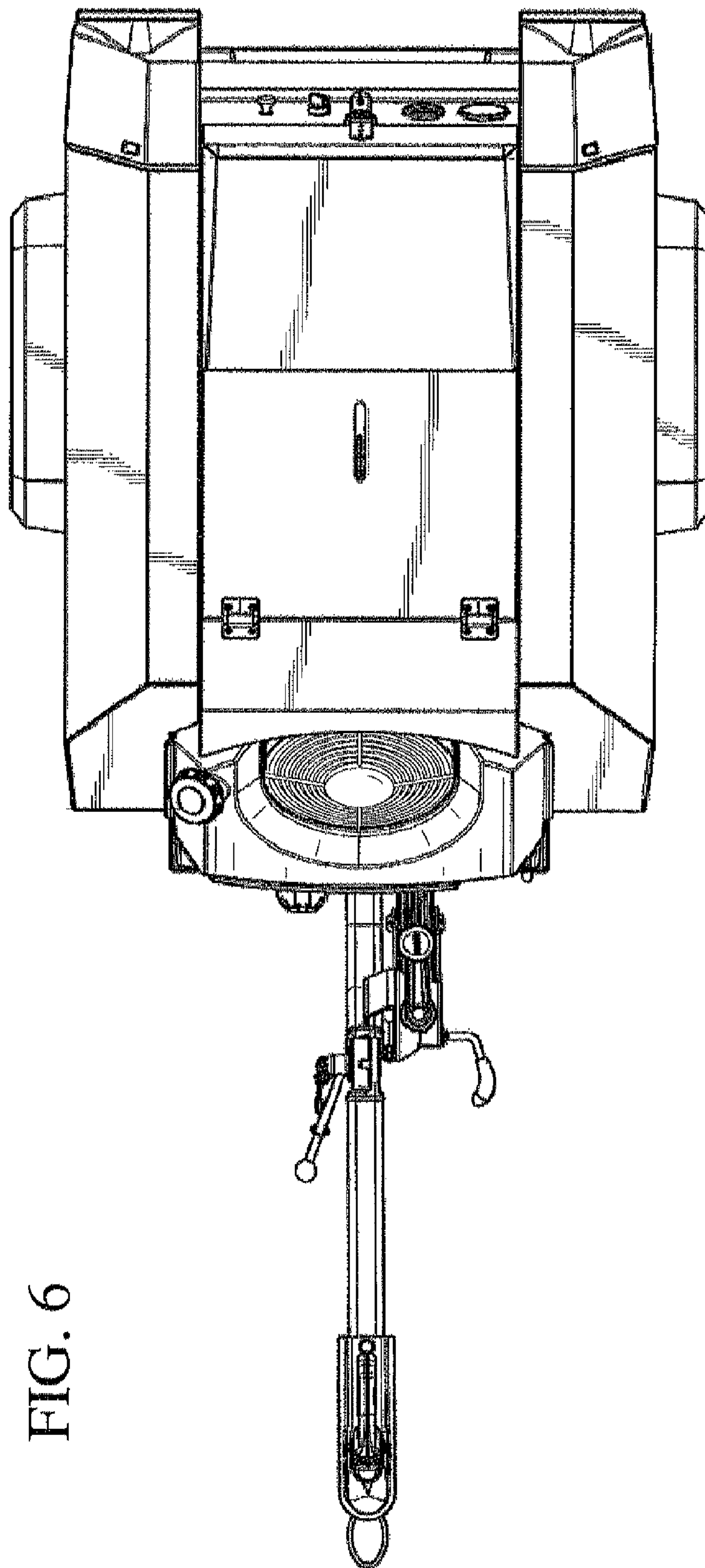


FIG. 6

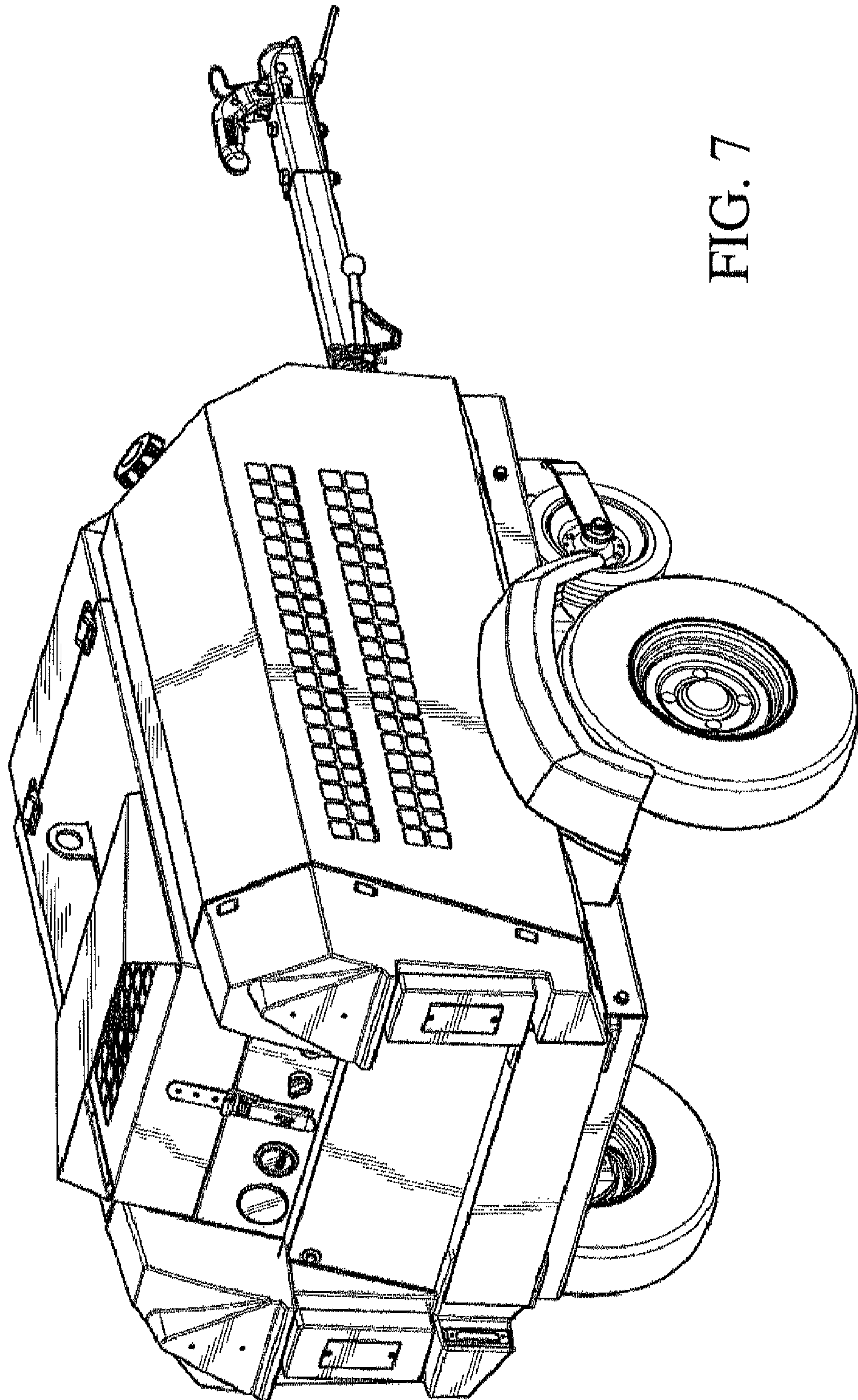


FIG. 7