



US00D658208S

(12) **United States Design Patent**  
**Moser, III**

(10) **Patent No.:** **US D658,208 S**

(45) **Date of Patent:** **\*\* Apr. 24, 2012**

(54) **PORTABLE AIR COMPRESSOR**

(76) Inventor: **John J. Moser, III**, Fort Lauderdale, FL  
(US)

(\*\*) Term: **14 Years**

(21) Appl. No.: **29/367,662**

(22) Filed: **Aug. 11, 2010**

(51) **LOC (9) Cl.** ..... **15-02**

(52) **U.S. Cl.** ..... **D15/9**

(58) **Field of Classification Search** ..... D15/7-9;  
D23/231, 232; 417/410.1, 359, 415-416,  
417/234, 321, 265, 405

See application file for complete search history.

(56) **References Cited**

**U.S. PATENT DOCUMENTS**

D486,835 S *	2/2004	Hsiao	.....	D15/9
D499,745 S *	12/2004	Hsiao	.....	D15/9
D507,278 S *	7/2005	Moser, III	.....	D15/9
D508,922 S *	8/2005	Li et al.	.....	D15/9
D512,442 S *	12/2005	Moser, III	.....	D15/9
D520,025 S *	5/2006	Chu	.....	D15/9
D529,051 S *	9/2006	Chu	.....	D15/9

D538,300 S *	3/2007	Moser	.....	D15/9
D539,308 S *	3/2007	Moser	.....	D15/9
D549,735 S *	8/2007	Moser, III	.....	D15/9
D549,736 S *	8/2007	Moser, III	.....	D15/9
D588,163 S *	3/2009	Moser et al.	.....	D15/9
D601,591 S *	10/2009	Chu	.....	D15/9
D614,673 S *	4/2010	Chen	.....	D15/9
D621,418 S *	8/2010	Leu et al.	.....	D15/7
D626,970 S *	11/2010	Moser et al.	.....	D15/9
D627,370 S *	11/2010	Moser et al.	.....	D15/9

\* cited by examiner

*Primary Examiner* — Ralf Seifert

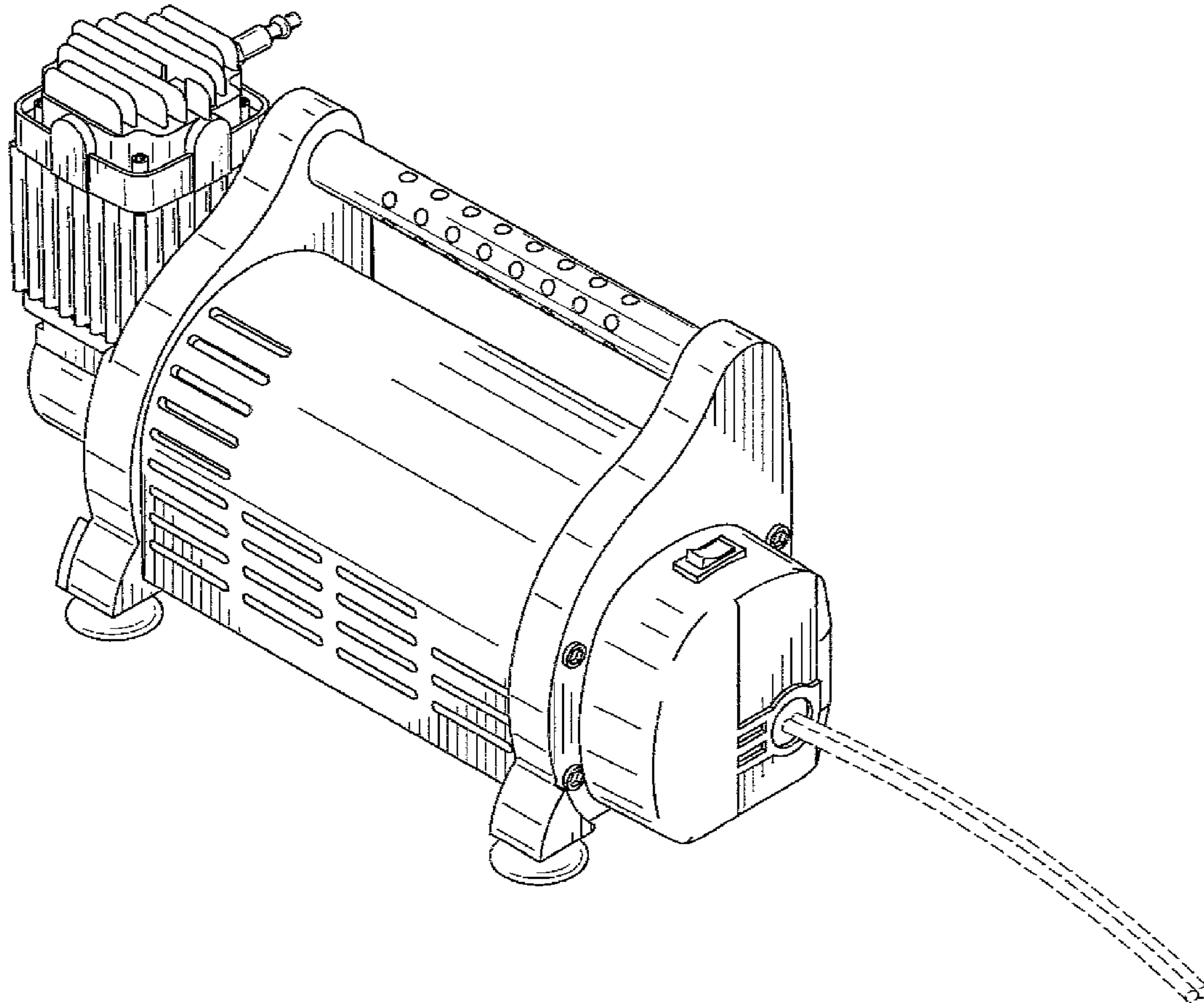
(57) **CLAIM**

The ornamental design for a portable air compressor, as shown and described.

**DESCRIPTION**

FIG. 1 is a top perspective view thereof;  
FIG. 2 is a right hand side view thereof;  
FIG. 3 is a left hand side view thereof;  
FIG. 4 is a front view thereof;  
FIG. 5 is a rear view thereof;  
FIG. 6 is a top view thereof; and,  
FIG. 7 is a bottom view thereof.

**1 Claim, 6 Drawing Sheets**



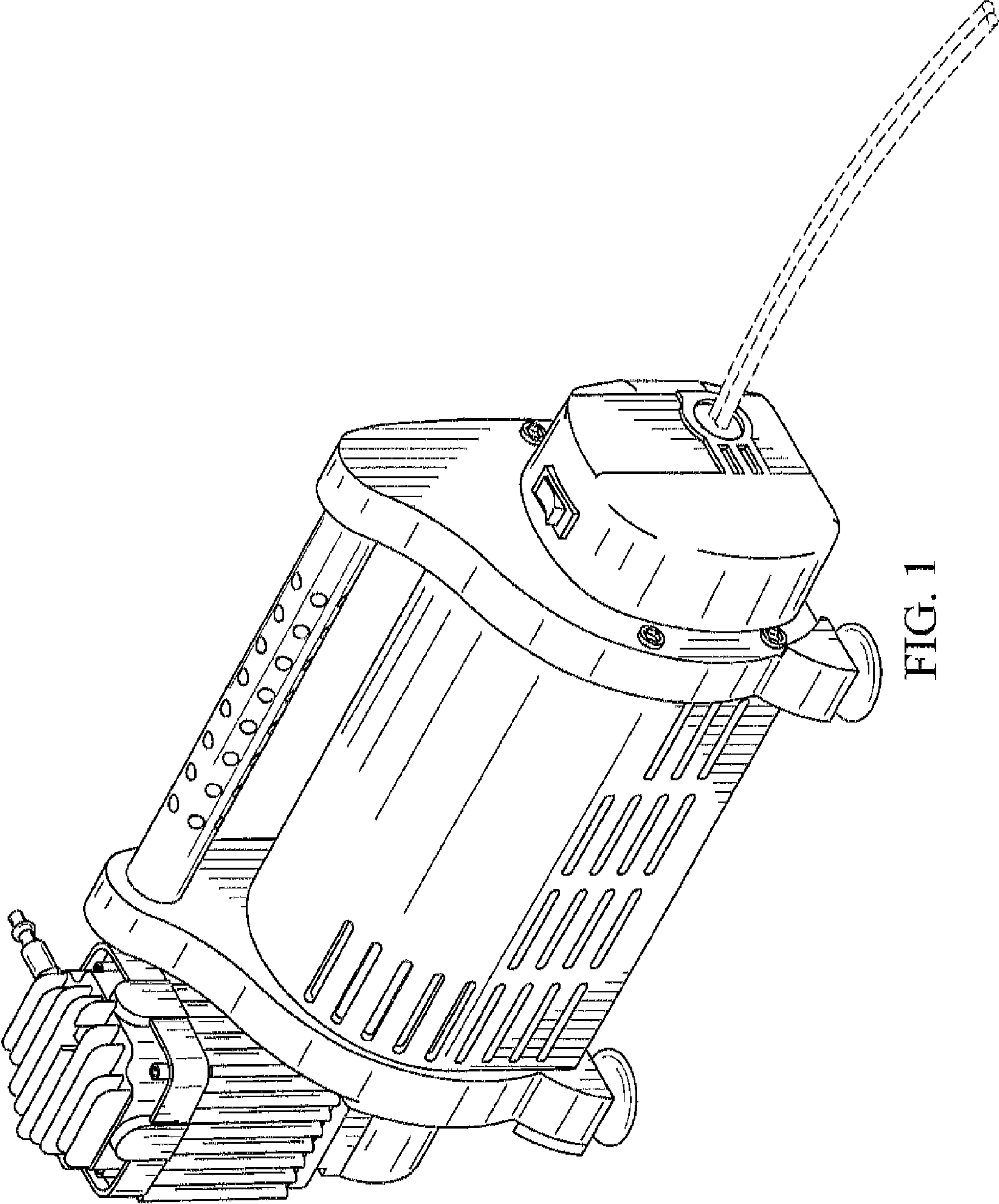


FIG. 1

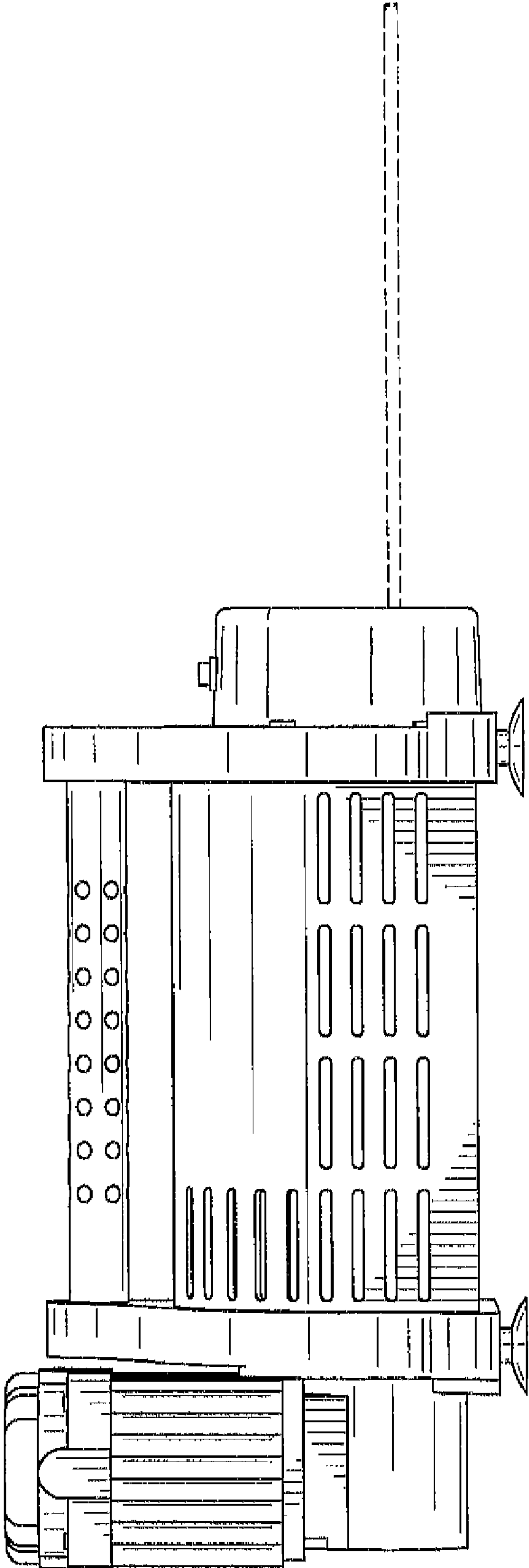


FIG. 2

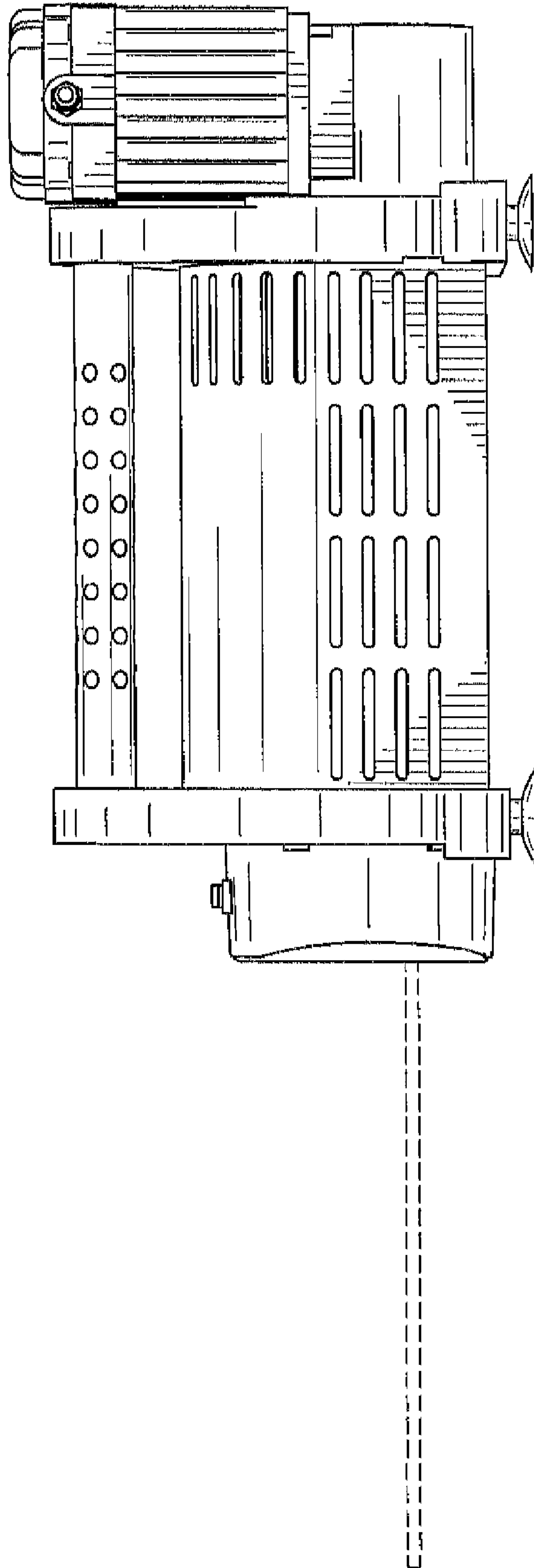


FIG. 3

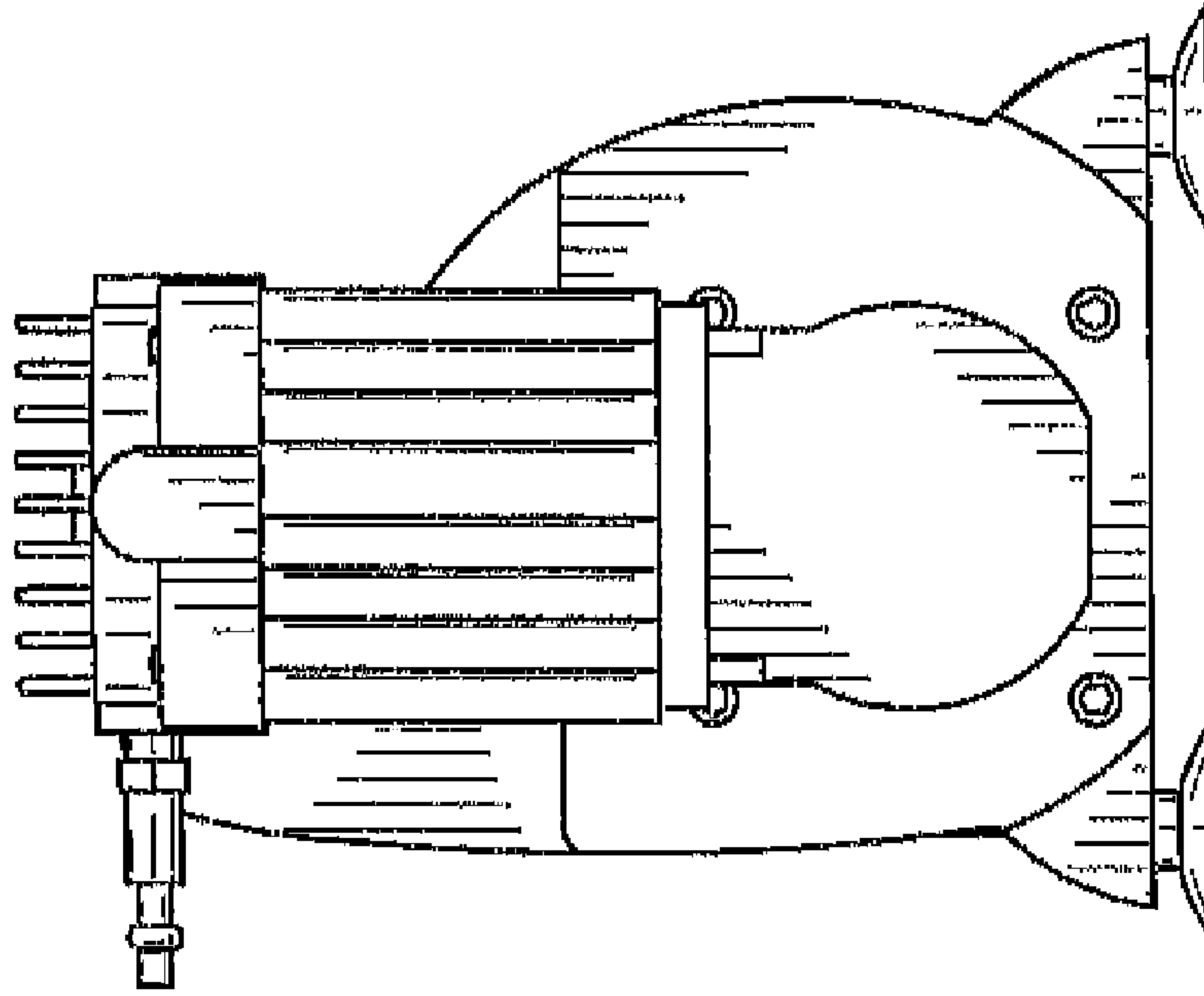


FIG. 5

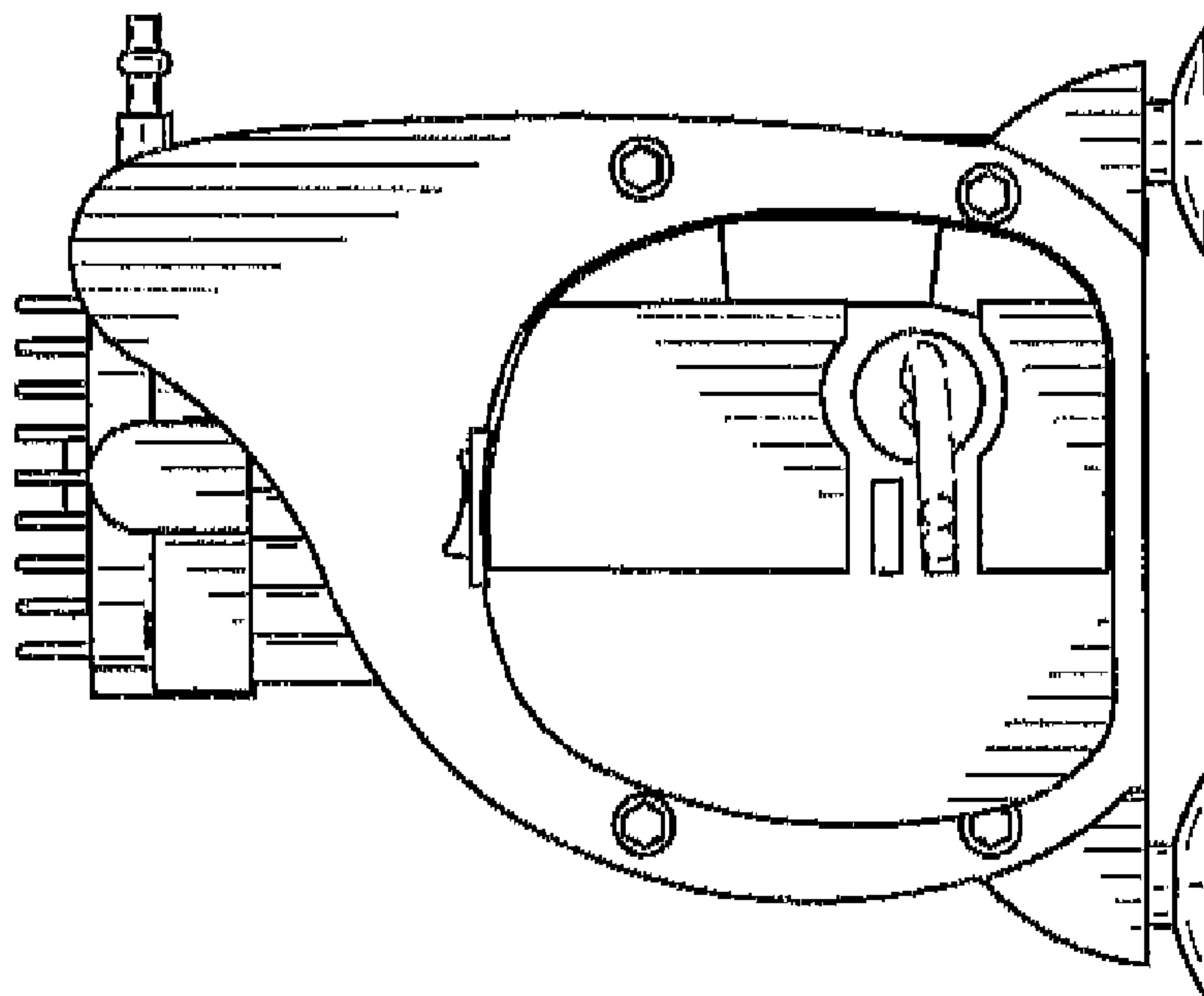


FIG. 4

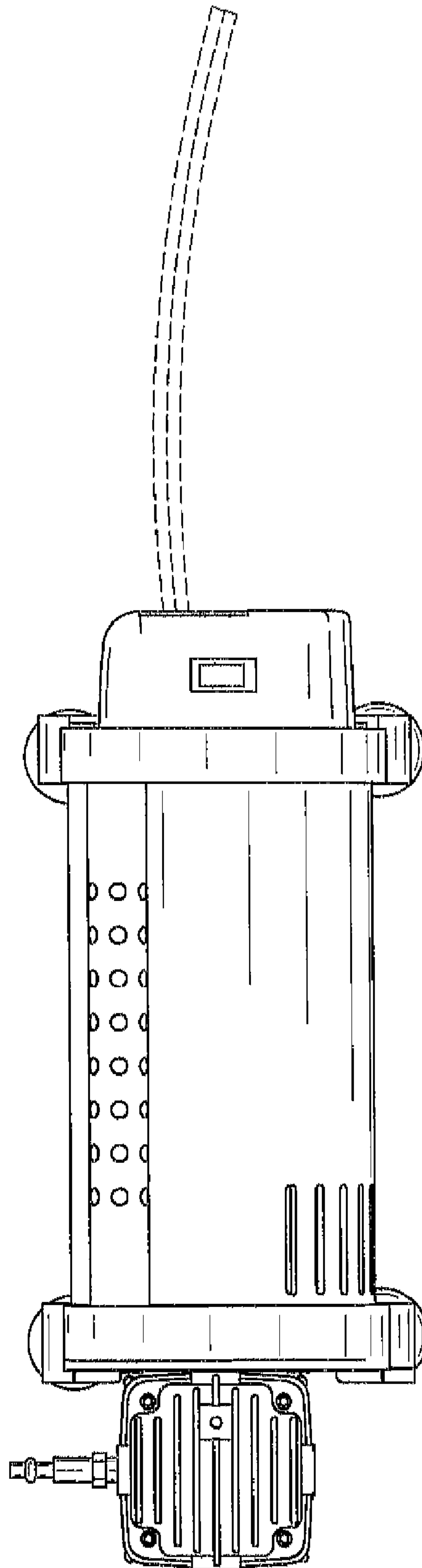


FIG. 6

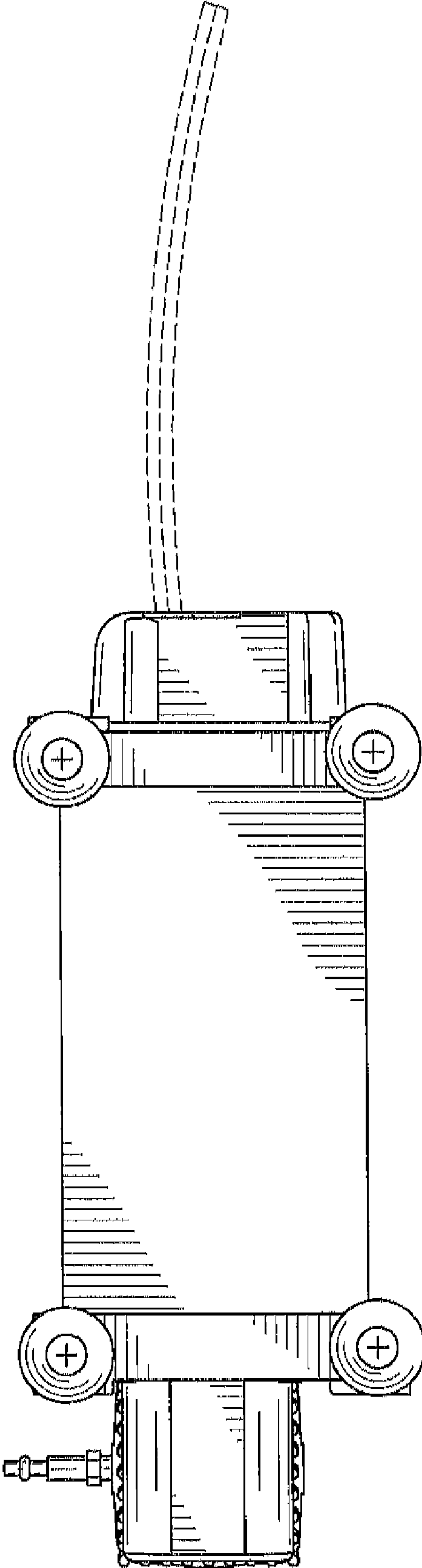


FIG. 7