



US00D658207S

(12) **United States Design Patent**
Taylor

(10) **Patent No.:** **US D658,207 S**

(45) **Date of Patent:** **** Apr. 24, 2012**

(54) **RADIATOR FILLER NECK DRIP TRAY WITH RETENTION CLIPS**

(75) Inventor: **Dale W. Taylor**, Hamilton, IN (US)

(73) Assignee: **Calico Precision Molding LLC**, Fort Wayne, IN (US)

(**) Term: **14 Years**

(21) Appl. No.: **29/374,368**

(22) Filed: **Aug. 4, 2011**

(51) **LOC (9) Cl.** **15-01**

(52) **U.S. Cl.** **D15/5**

(58) **Field of Classification Search** D15/5;
D12/400, 197; 72/49; 220/298, 203.26,
220/300; 141/338

See application file for complete search history.

(56) **References Cited**

U.S. PATENT DOCUMENTS

3,878,965	A	4/1975	Crute	
4,498,599	A	2/1985	Avrea	
4,511,056	A	4/1985	Reutter	
5,071,020	A	12/1991	Reutter	
5,114,035	A	5/1992	Brown	
D394,627	S *	5/1998	Foltz	D12/197
D403,642	S *	1/1999	Acord	D12/197
D403,643	S *	1/1999	Foltz	D12/197

D415,989	S *	11/1999	Foltz	D12/197
6,324,759	B1	12/2001	Sasano	
6,932,232	B2	8/2005	Watanabe	
7,111,498	B2	9/2006	Jin	
7,264,027	B2 *	9/2007	Rosenbaum	141/338
7,635,013	B2 *	12/2009	Ballinger	141/338
7,886,782	B1 *	2/2011	Curtis	141/338
2002/0191674	A1 *	12/2002	Lee	374/146
2006/0185763	A1 *	8/2006	Rosenbaum	141/338

* cited by examiner

Primary Examiner — T. Chase Nelson

Assistant Examiner — Ania Aman

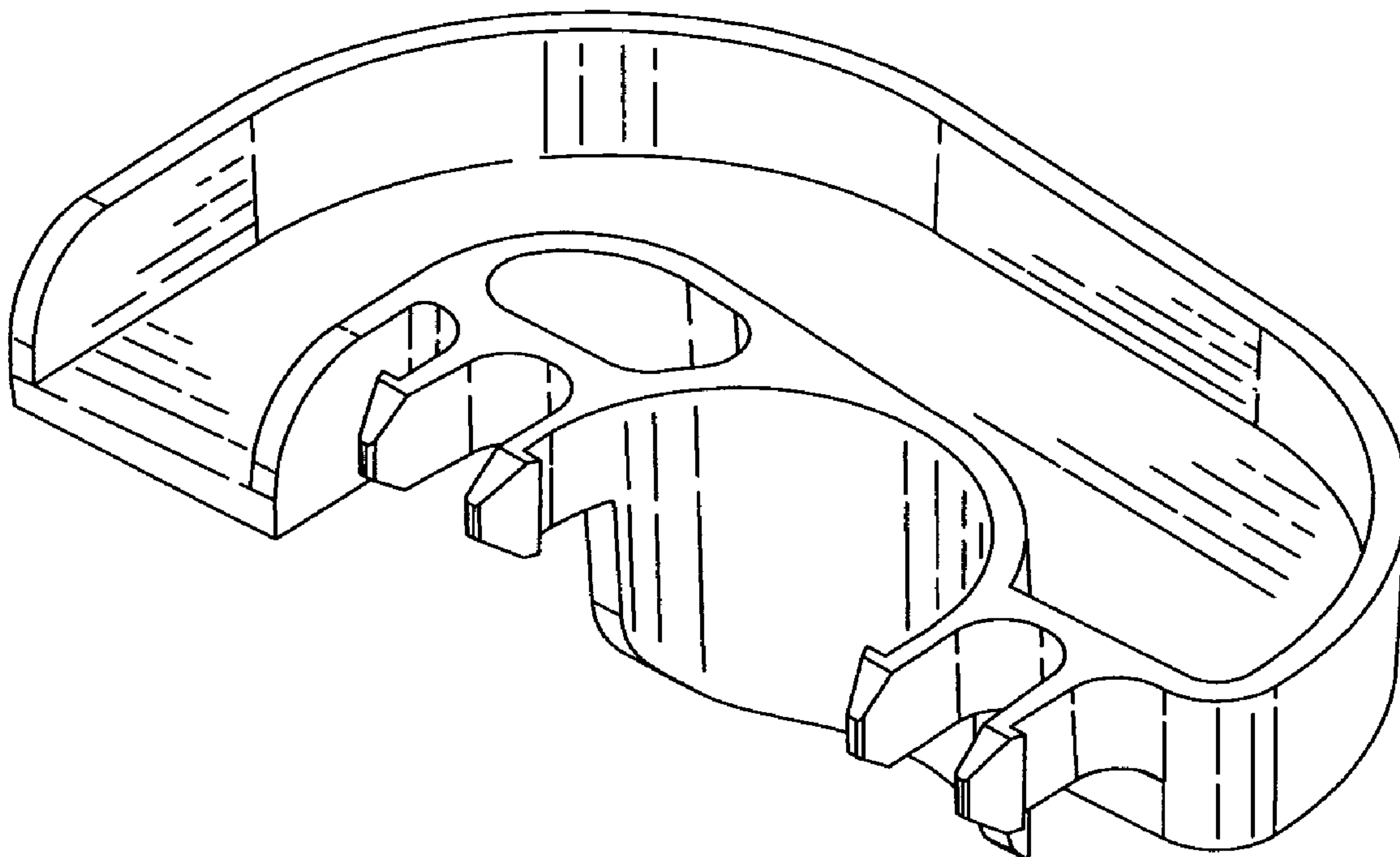
(57) **CLAIM**

The ornamental design for the radiator filler neck drip tray with retention clips, as shown and described.

DESCRIPTION

FIG. 1 is a front perspective view of a radiator filler neck drip tray with retention clips in accordance with my design; FIG. 2 is a front elevation view thereof; FIG. 3 is a rear elevation view thereof; FIG. 4 is a right side view thereof; FIG. 5 is a left side view thereof; FIG. 6 is a top side view thereof; and, FIG. 7 is a bottom side view thereof.

1 Claim, 4 Drawing Sheets



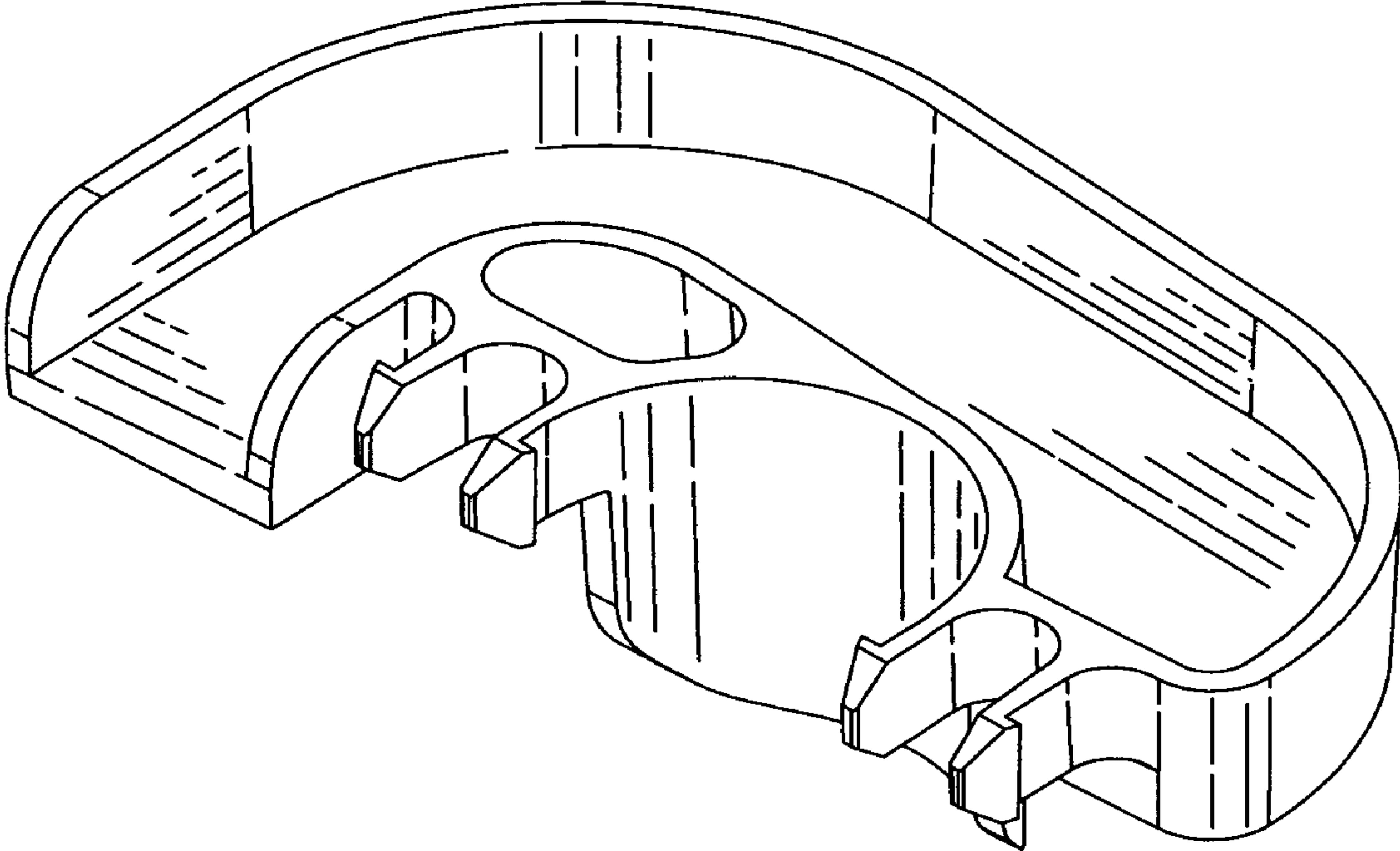


FIG. 1

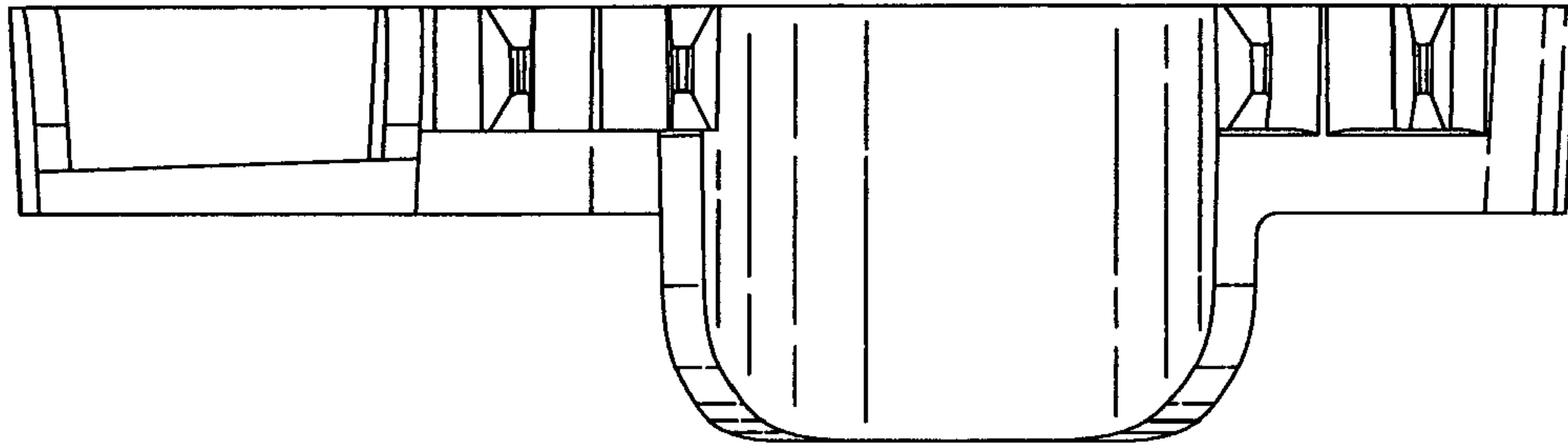


FIG. 2

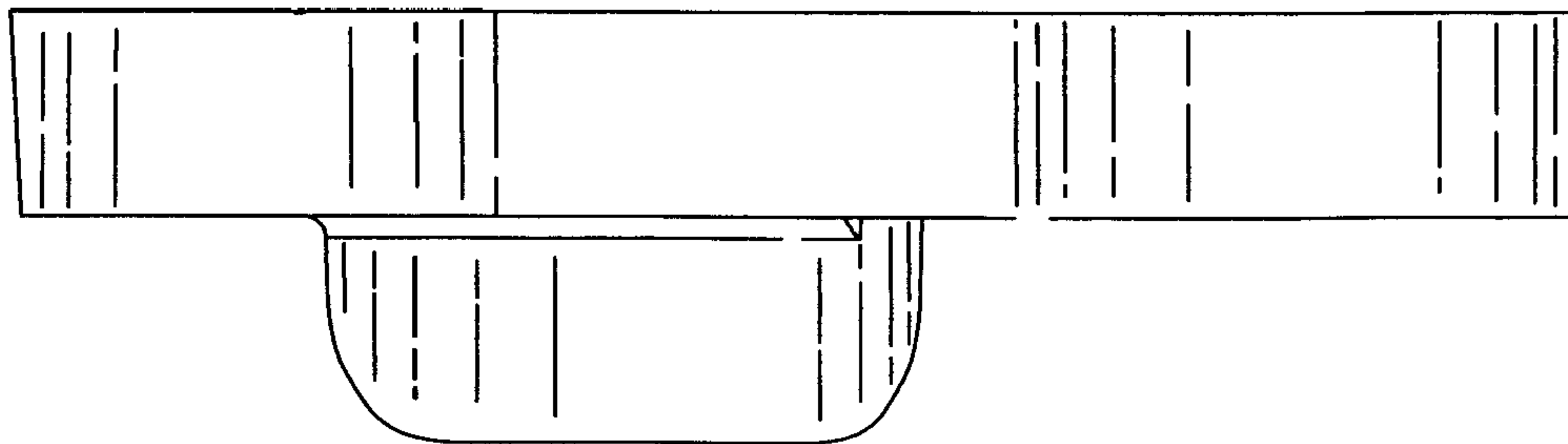


FIG. 3

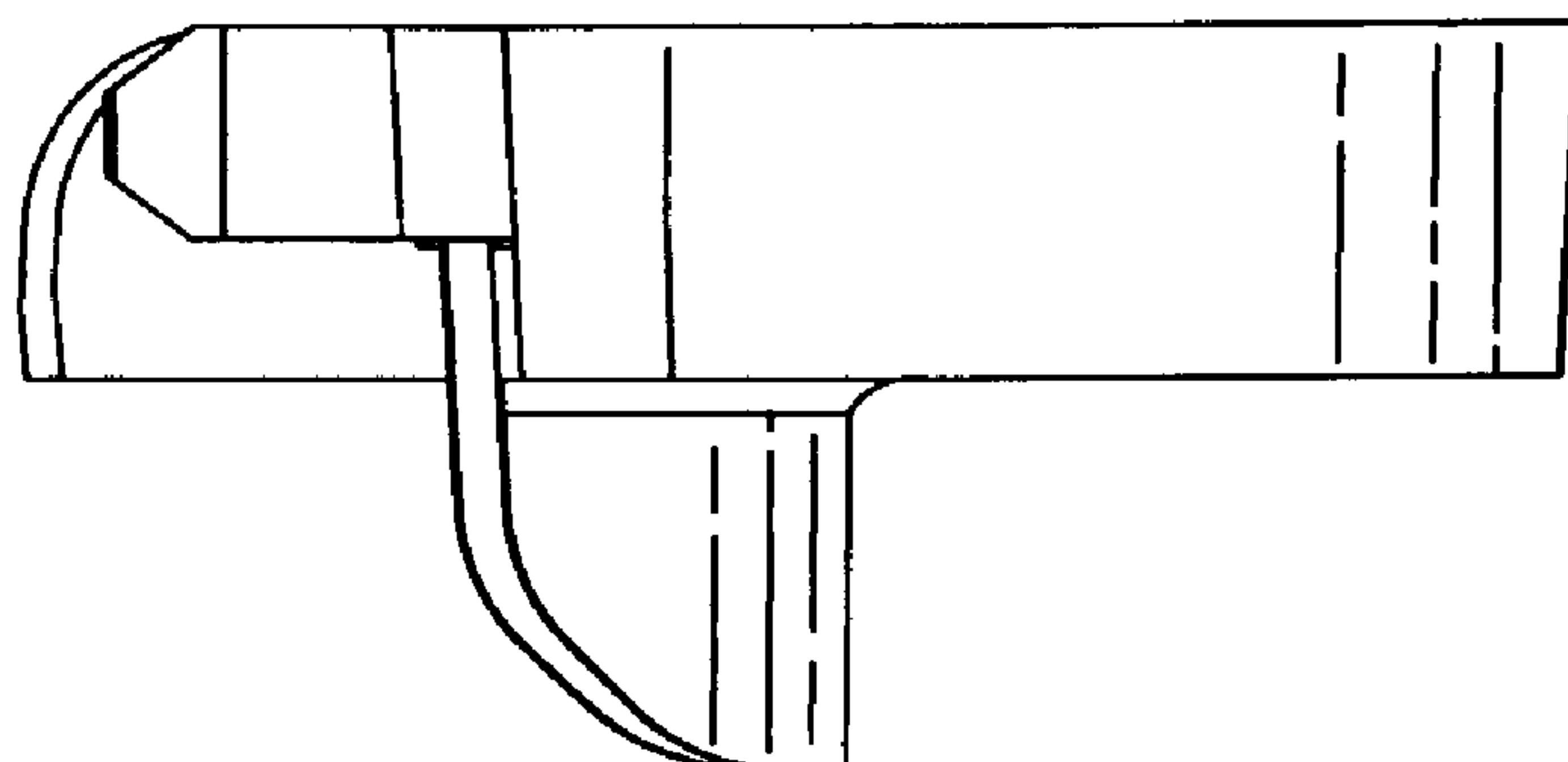


FIG. 4

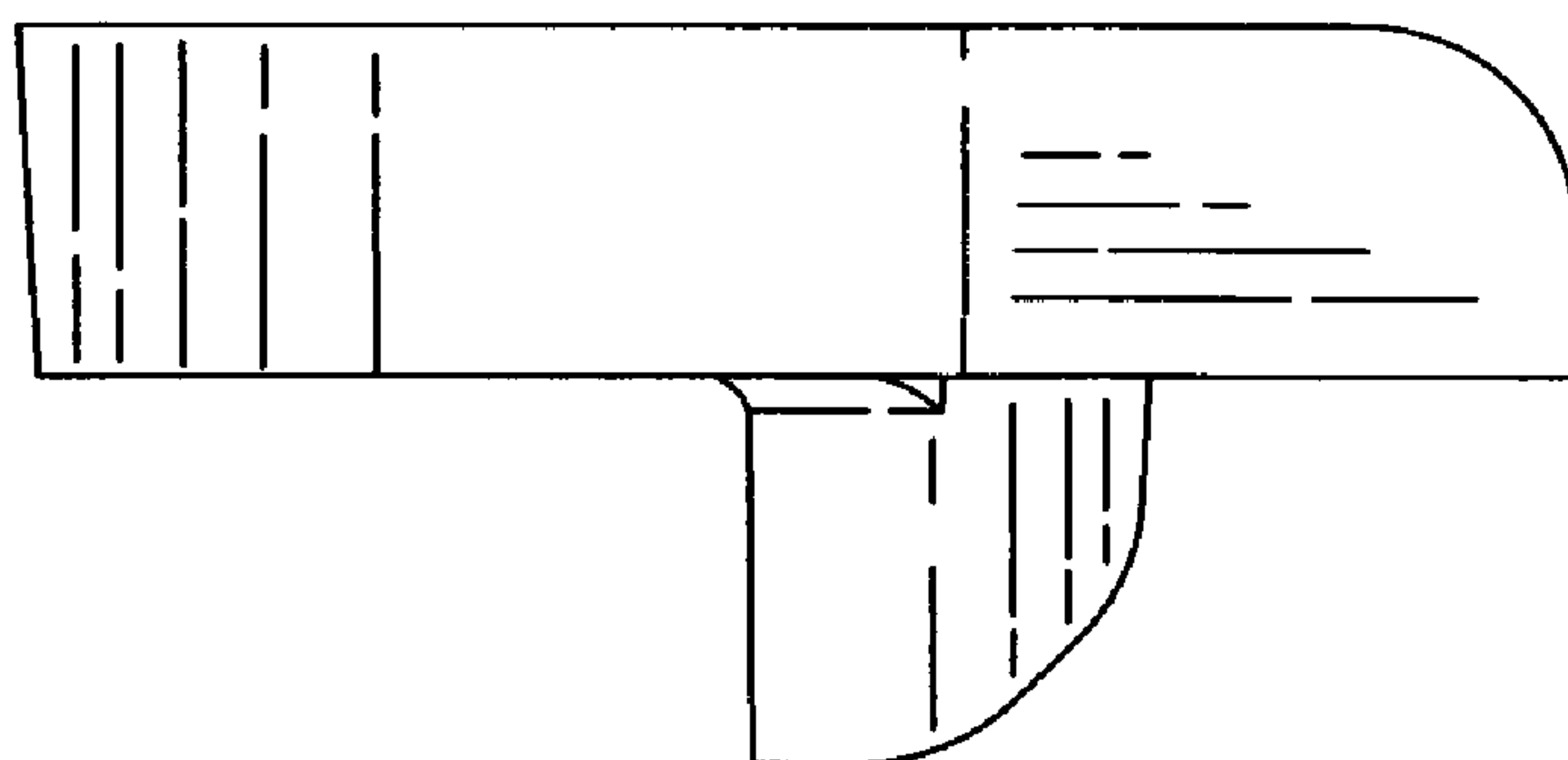


FIG. 5

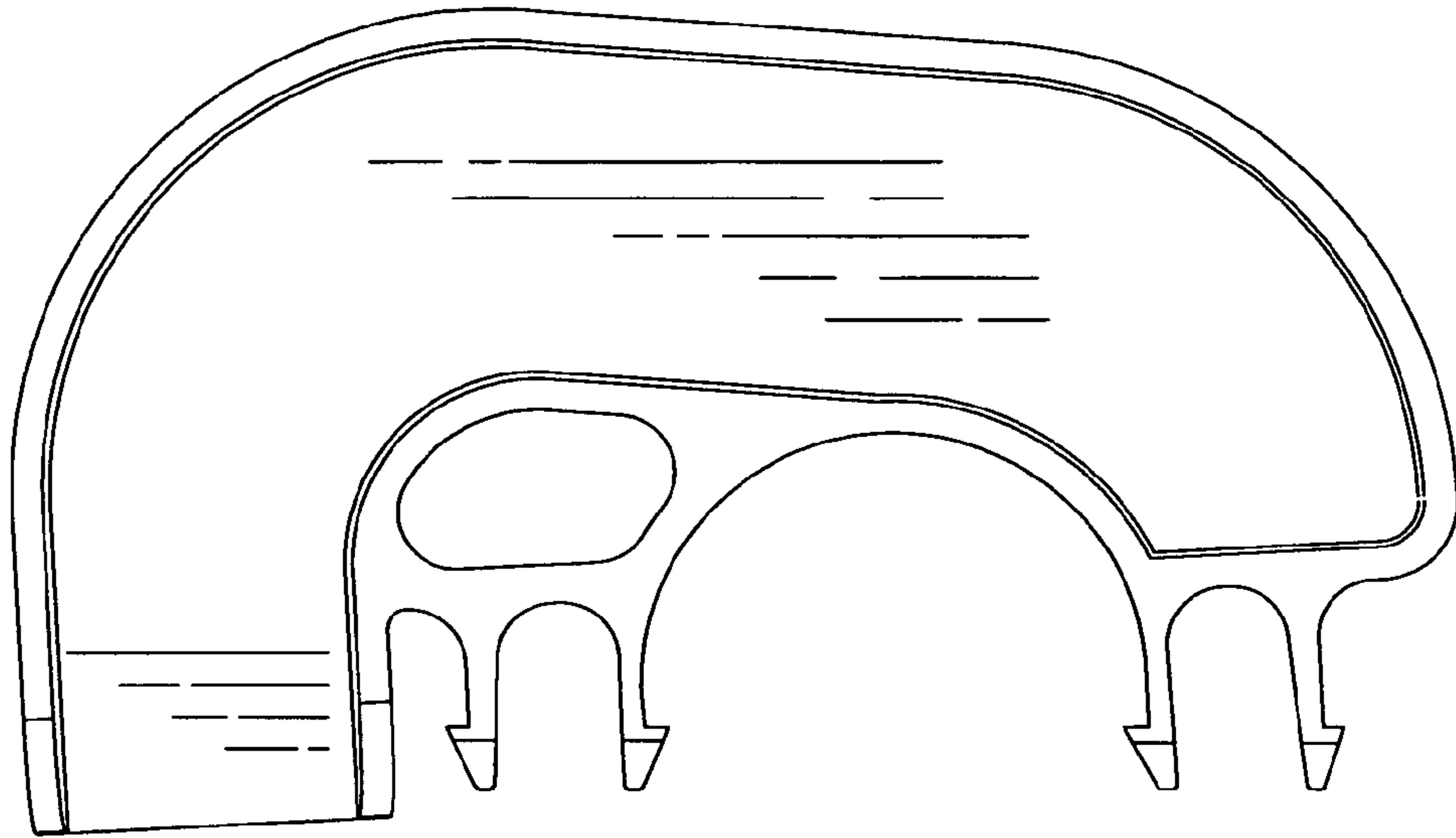


FIG. 6

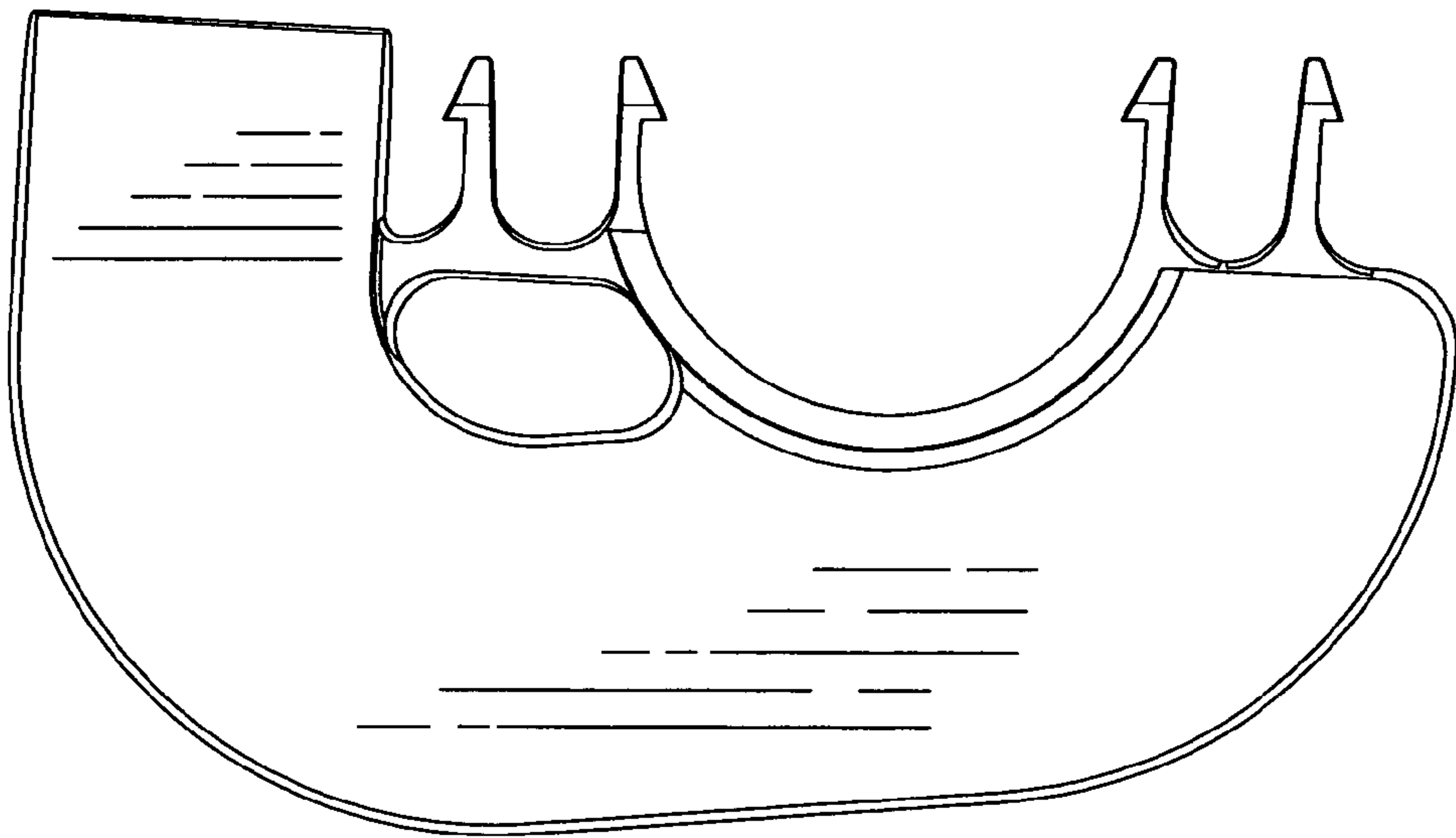


FIG. 7