



US00D658206S

(12) **United States Design Patent**
Taylor

(10) **Patent No.:** **US D658,206 S**

(45) **Date of Patent:** **** Apr. 24, 2012**

(54) **RADIATOR FILLER NECK WITH INTEGRATED DRIP TRAY ASSEMBLY**

(75) Inventor: **Dale W. Taylor**, Hamilton, IN (US)

(73) Assignee: **Calico Precision Molding LLC**, Fort Wayne, IN (US)

(**) Term: **14 Years**

(21) Appl. No.: **29/374,367**

(22) Filed: **Aug. 4, 2011**

(51) **LOC (9) Cl.** **15-01**

(52) **U.S. Cl.** **D15/5**

(58) **Field of Classification Search** D15/5;
D12/400; 72/49; 220/298, 203.26, 300
See application file for complete search history.

(56) **References Cited**

U.S. PATENT DOCUMENTS

2,171,168	A *	8/1939	Swank	220/203.26
3,463,346	A *	8/1969	Mitchell	220/203.14
3,878,965	A	4/1975	Crute		
4,173,292	A *	11/1979	Malacheski et al.	220/303
4,498,599	A	2/1985	Avrea		
4,511,056	A	4/1985	Reutter		
5,071,020	A	12/1991	Reutter		
5,114,035	A	5/1992	Brown		

5,760,296	A *	6/1998	Wilson	73/49.7
6,324,759	B1	12/2001	Sasano		
6,932,232	B2	8/2005	Watanabe		
D524,821	S *	7/2006	Garvey et al.	D15/5
D524,822	S *	7/2006	Garvey et al.	D15/5
7,111,498	B2	9/2006	Jin		
7,478,611	B2 *	1/2009	Yoshida	123/41.1

* cited by examiner

Primary Examiner — T. Chase Nelson

Assistant Examiner — Ania Aman

(57) **CLAIM**

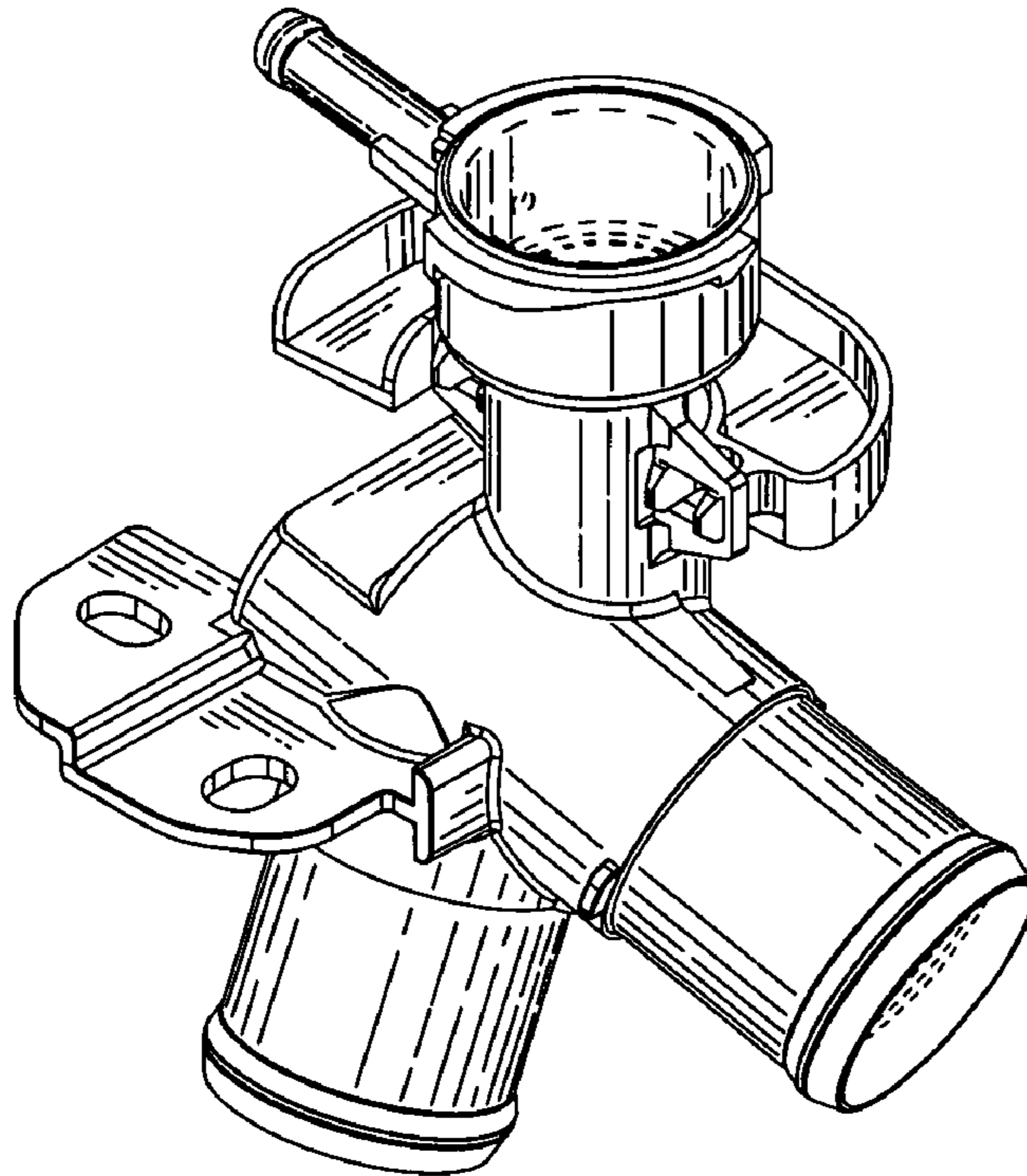
The ornamental design for the radiator filler neck with integrated drip tray assembly, as shown and described.

DESCRIPTION

FIG. 1 is a front perspective view of a radiator filler neck with drip tray assembly lugs showing my new design; FIG. 2 is a front elevation view thereof; FIG. 3 is a rear elevation view thereof; FIG. 4 is a right side elevation view thereof; FIG. 5 is a left side view thereof; FIG. 6 is a top plan view thereof; and, FIG. 7 is a bottom plan view.

In the drawings, the broken lines depict unclaimed subject matter only and form no part of the claimed design.

1 Claim, 4 Drawing Sheets



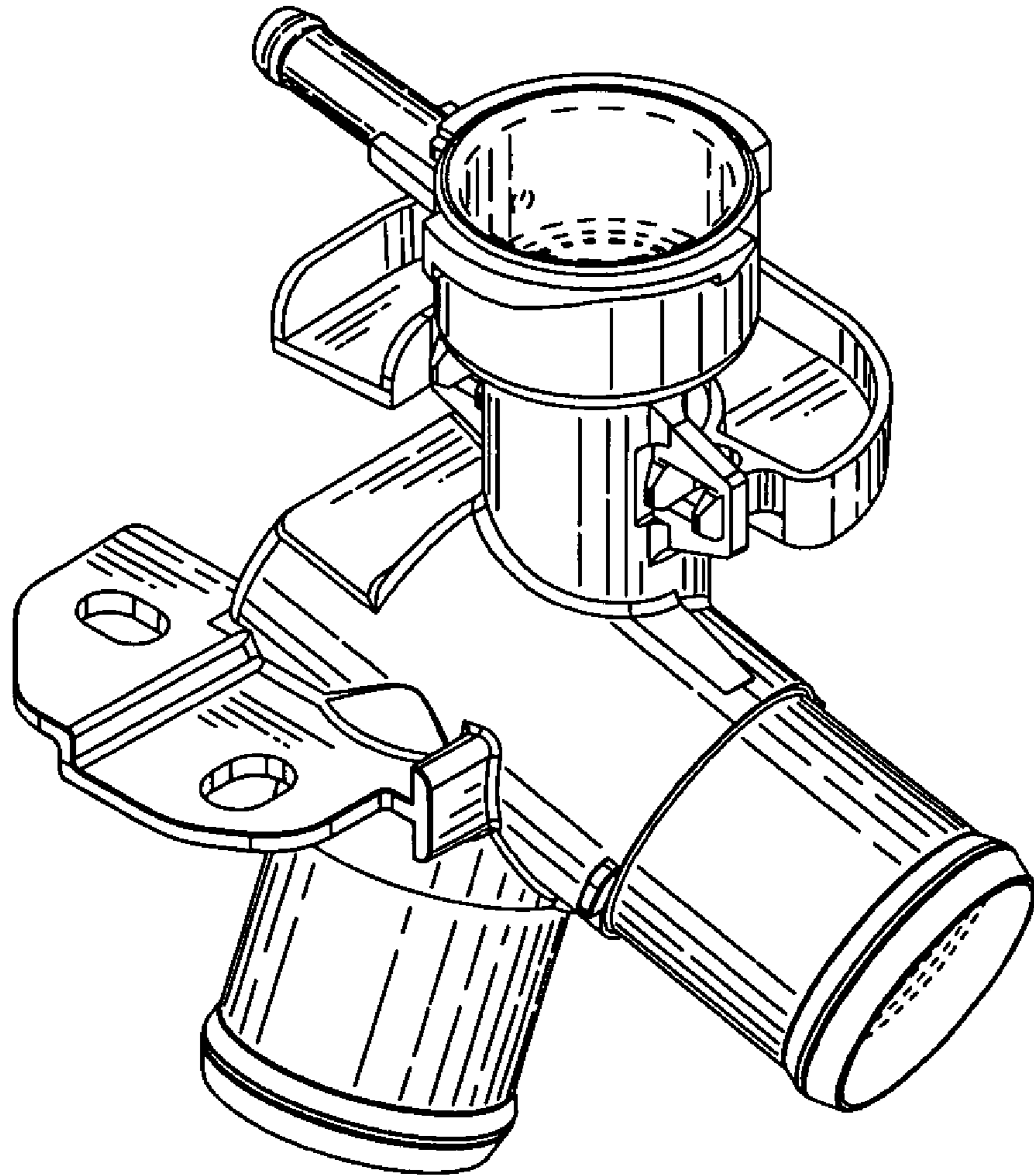


FIG. 1

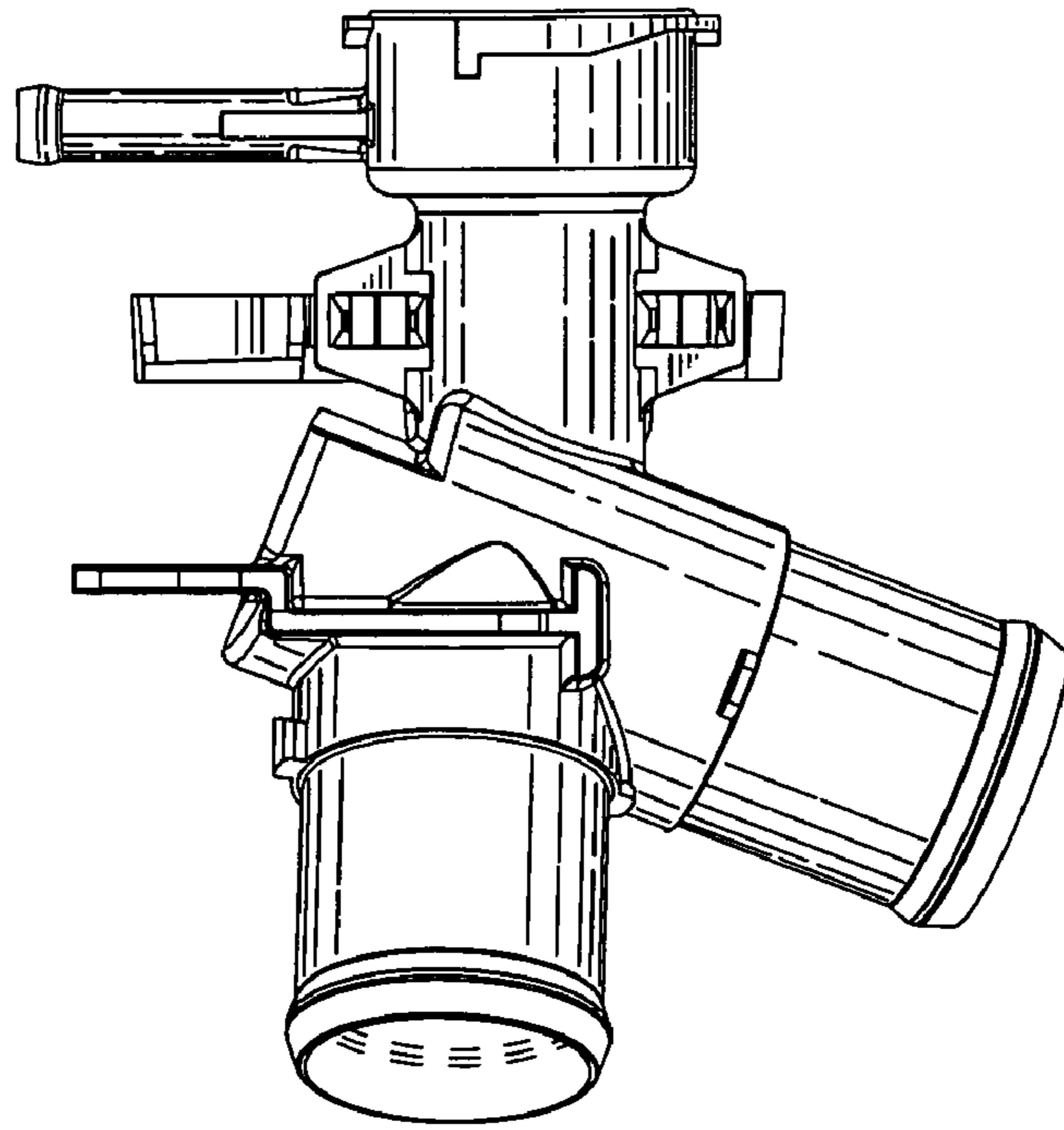


FIG. 2

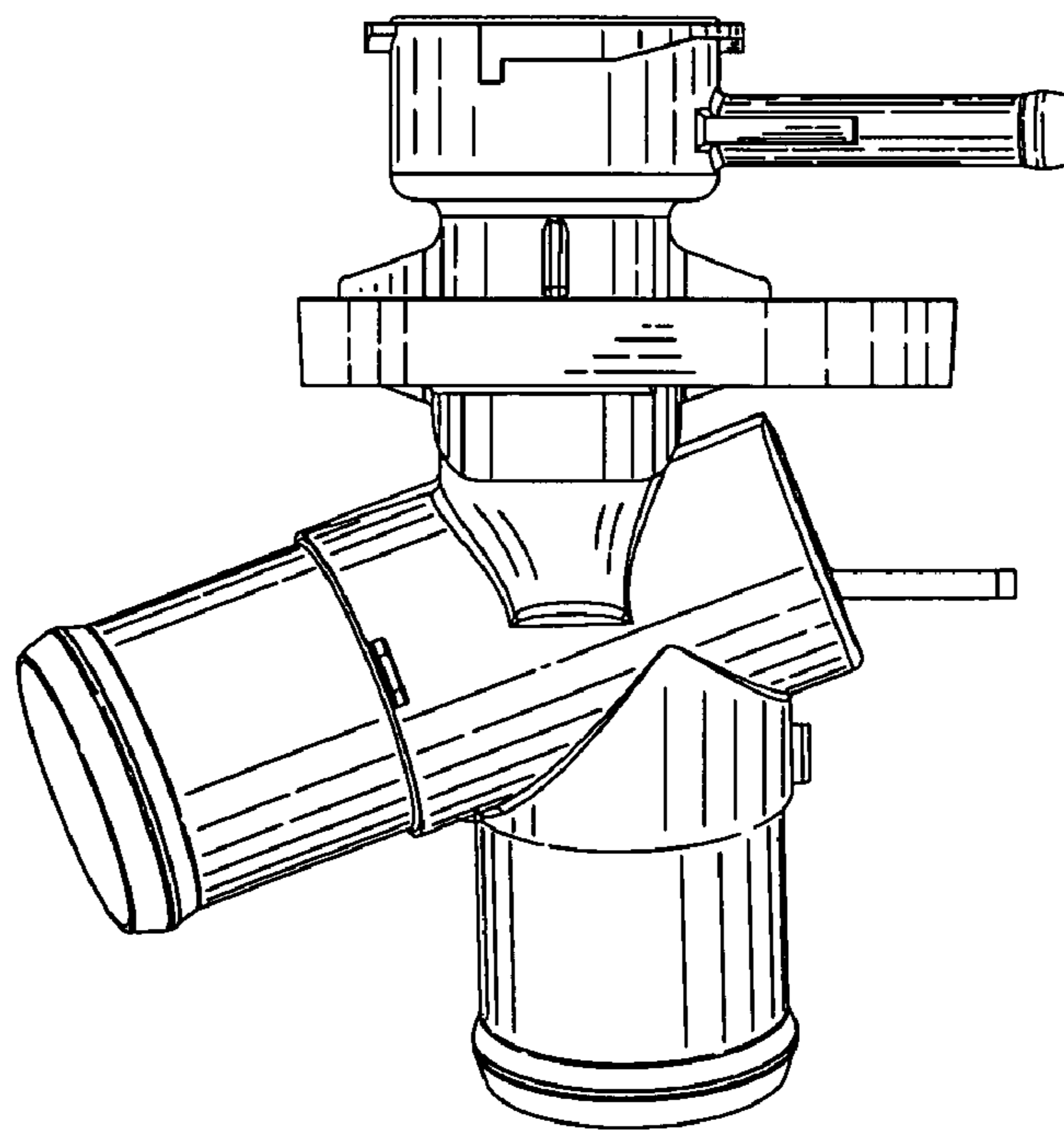


FIG. 3

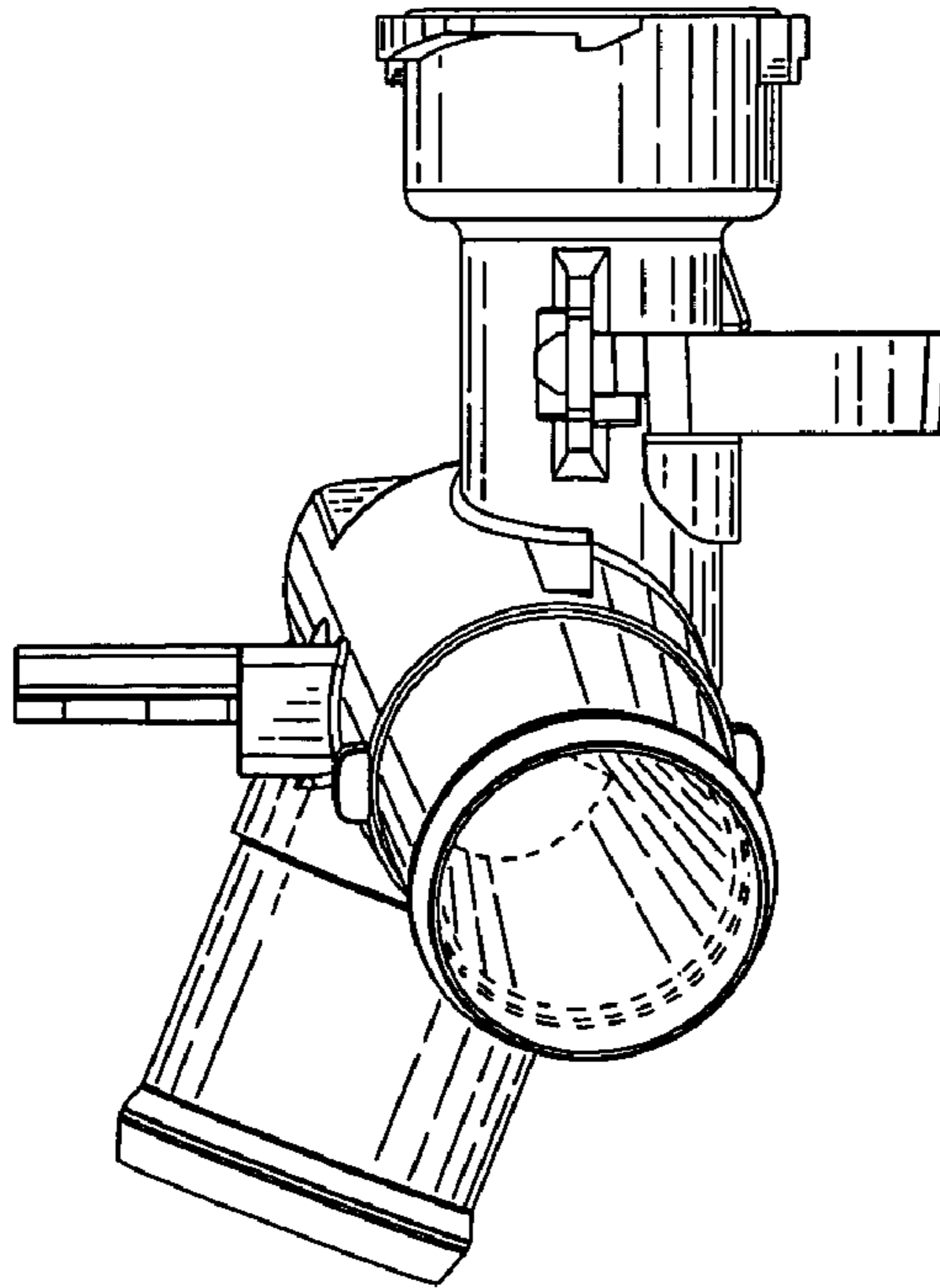


FIG. 4

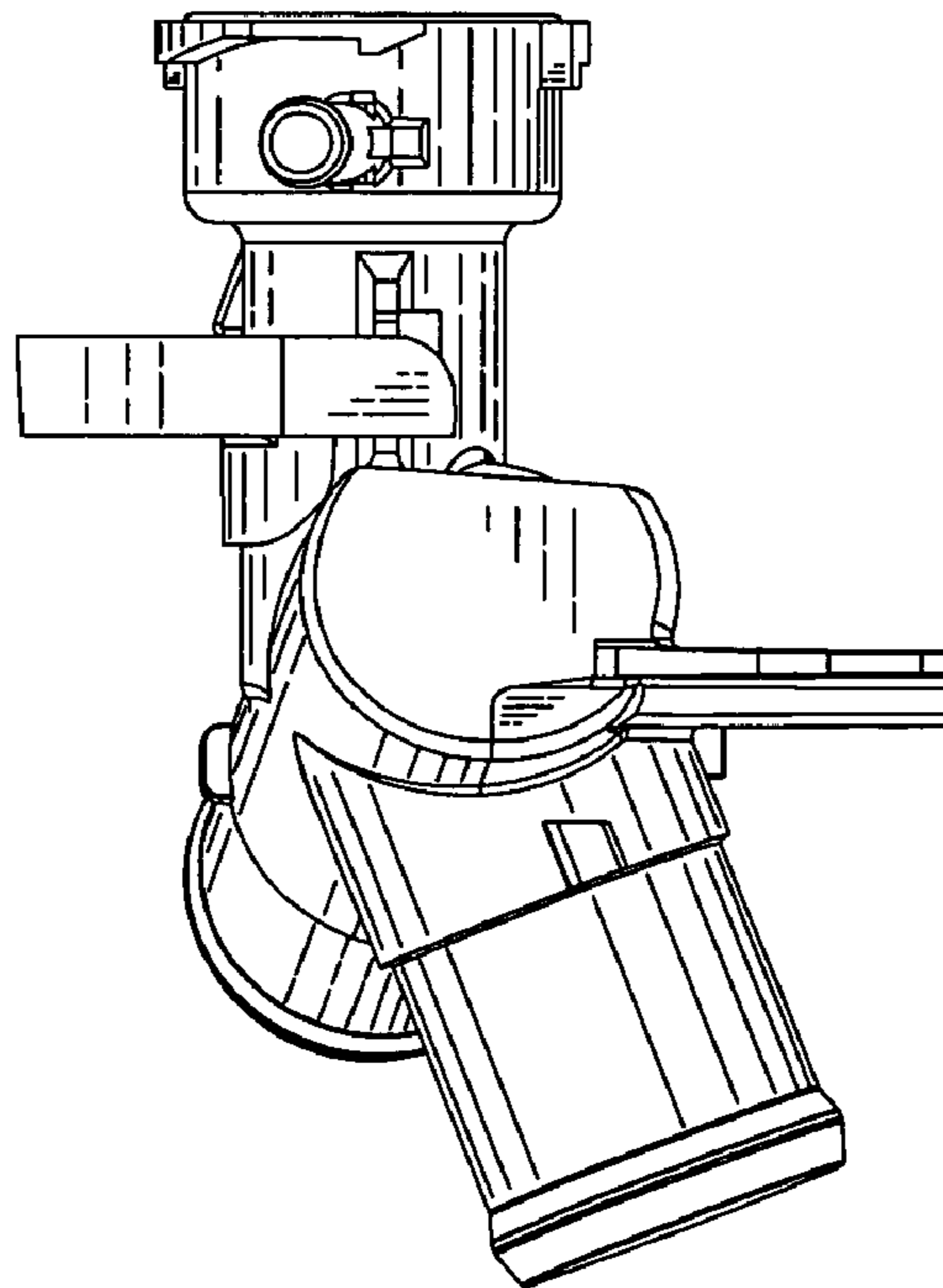


FIG. 5

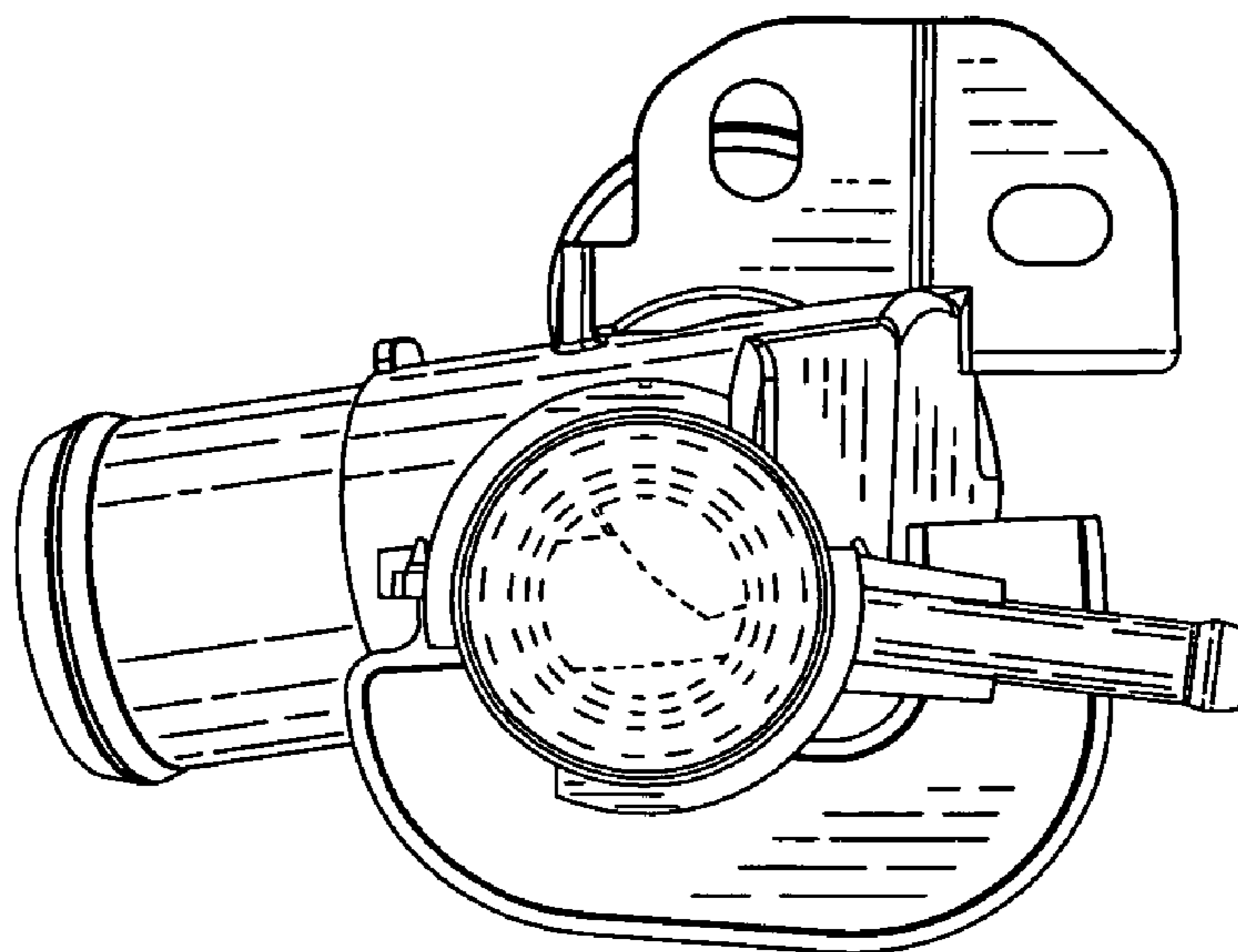


FIG. 6

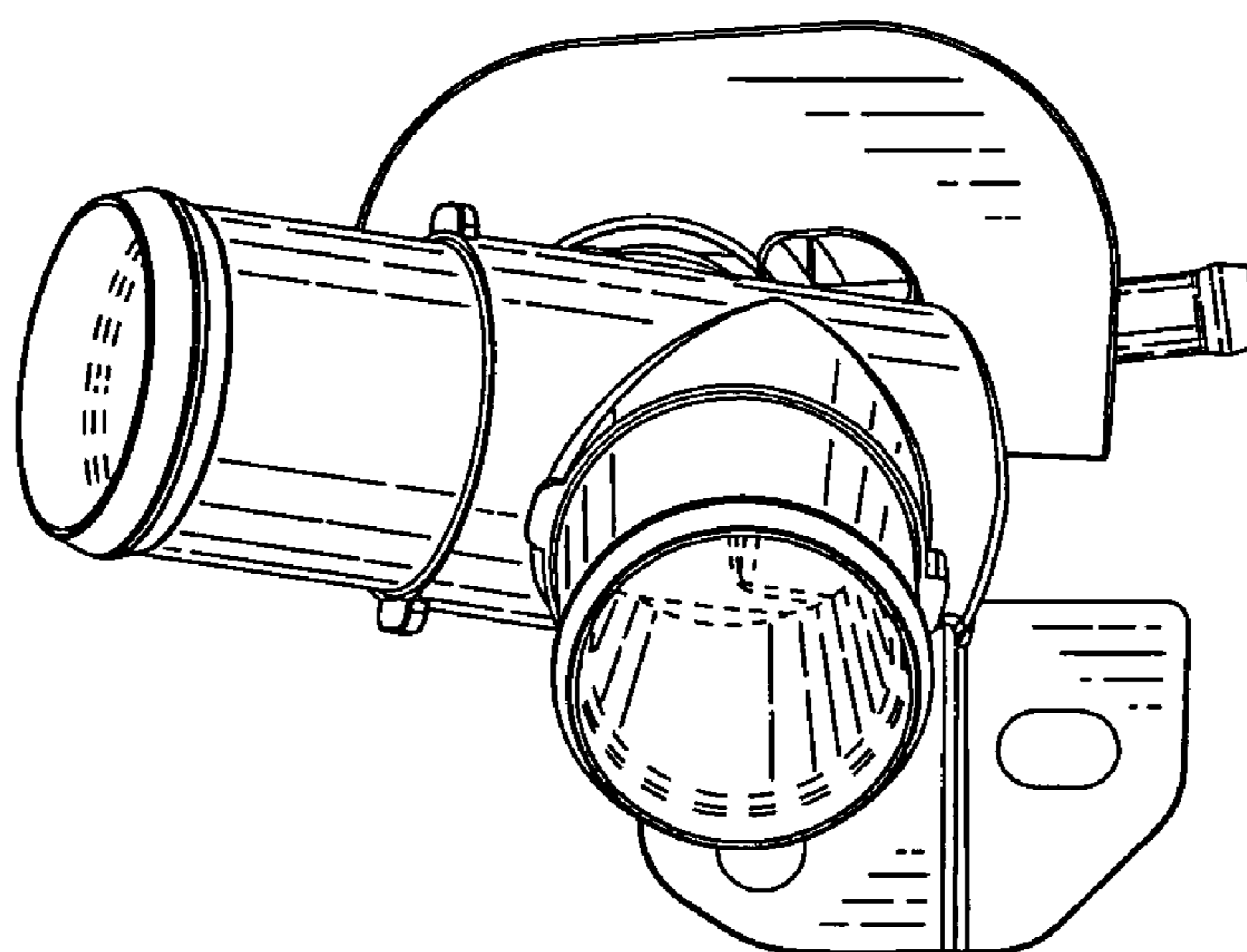


FIG. 7