



US00D658192S

(12) **United States Design Patent**
Cullen et al.

(10) **Patent No.:** **US D658,192 S**
(45) **Date of Patent:** **** Apr. 24, 2012**

(54) **MODULE FOR PORTABLE HOUSING**

(75) Inventors: **Benjamin James Cullen**, London (GB);
Rajmy Sayavong, Mississauga (CA);
Jen-Hau Hu, New Taipei (TW)

(73) Assignee: **Psion Inc.**, Mississauga, Ontario (CA)

(**) Term: **14 Years**

(21) Appl. No.: **29/389,323**

(22) Filed: **Apr. 8, 2011**

(51) **LOC (9) Cl.** **14-02**

(52) **U.S. Cl.** **D14/453**

(58) **Field of Classification Search** D14/434,
D14/447, 453, 432, 433, 385, 357, 149, 457,
D14/253, 251, 356, 242, 439, 344; D13/108,
D13/118, 199, 107, 177; D3/218, 228, 269;
D18/12; D8/349, 382; 361/683, 686, 679,
361/600; 455/557, 556.1, 556.2, 575.4, 569.2,
455/569.1; 248/346.03, 176.1, 181.1, 309.1,
248/221.11; 200/6 R; 206/701; 320/113-115,
320/107; 379/426; 345/156, 901, 905; 439/374,
439/131, 529, 534, 929, 346, 31, 640; 235/472.01;
429/100

See application file for complete search history.

(56) **References Cited**

U.S. PATENT DOCUMENTS

D317,006 S *	5/1991	Naderi et al.	D14/453
D419,160 S *	1/2000	Davidson et al.	D14/253
D457,162 S *	5/2002	Hawkins et al.	D14/434
D472,900 S *	4/2003	Matsumoto	D14/447
D500,041 S *	12/2004	Tsujimoto	D14/434
D514,576 S *	2/2006	Sung et al.	D14/434

D520,013 S *	5/2006	Yang	D14/434
D524,315 S *	7/2006	Reusing et al.	D14/434
D540,327 S *	4/2007	Wong et al.	D14/434
D544,486 S *	6/2007	Hussaini et al.	D14/434
D544,487 S *	6/2007	Hussaini et al.	D14/434
D554,642 S *	11/2007	Suwalski et al.	D14/434
D558,769 S *	1/2008	Krieger et al.	D14/434
D584,732 S *	1/2009	Cho et al.	D14/434
D587,695 S *	3/2009	Leng et al.	D14/240
D605,112 S *	12/2009	Chang	D13/107
D607,856 S *	1/2010	Ishii	D14/137
D621,405 S *	8/2010	Waite et al.	D14/434
D623,131 S *	9/2010	Kawakami et al.	D13/107
D629,354 S *	12/2010	Chang	D13/107
D634,269 S *	3/2011	Griffin, Jr.	D13/108

* cited by examiner

Primary Examiner — Susan Moon Lee

(74) *Attorney, Agent, or Firm* — Haynes and Boone, LLP

(57) **CLAIM**

The ornamental design for a module for portable housing, as shown and described.

DESCRIPTION

FIG. 1 is a front perspective view of a module for portable housing of the present design;

FIG. 2 is a rear perspective view of the design;

FIG. 3 is a front elevation view of the design;

FIG. 4 is a left side elevation view of the design;

FIG. 5 is a right side elevation view of the design;

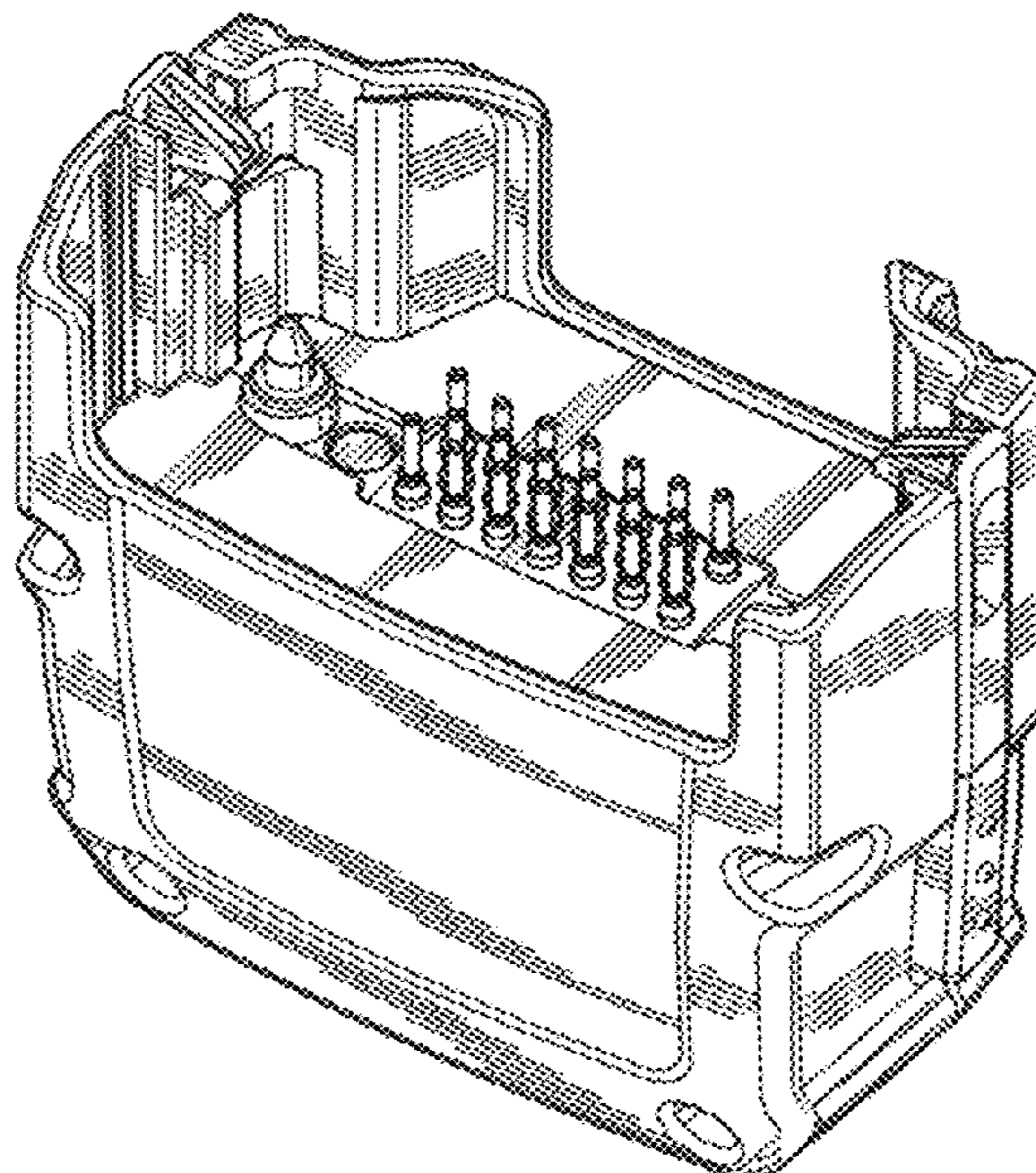
FIG. 6 is a front side elevation view of the design;

FIG. 7 is a bottom view of the design; and,

FIG. 8 is a top view of the design.

The broken lines shown in the Figures are for illustrative purposes only and form no part of the claimed design.

1 Claim, 5 Drawing Sheets



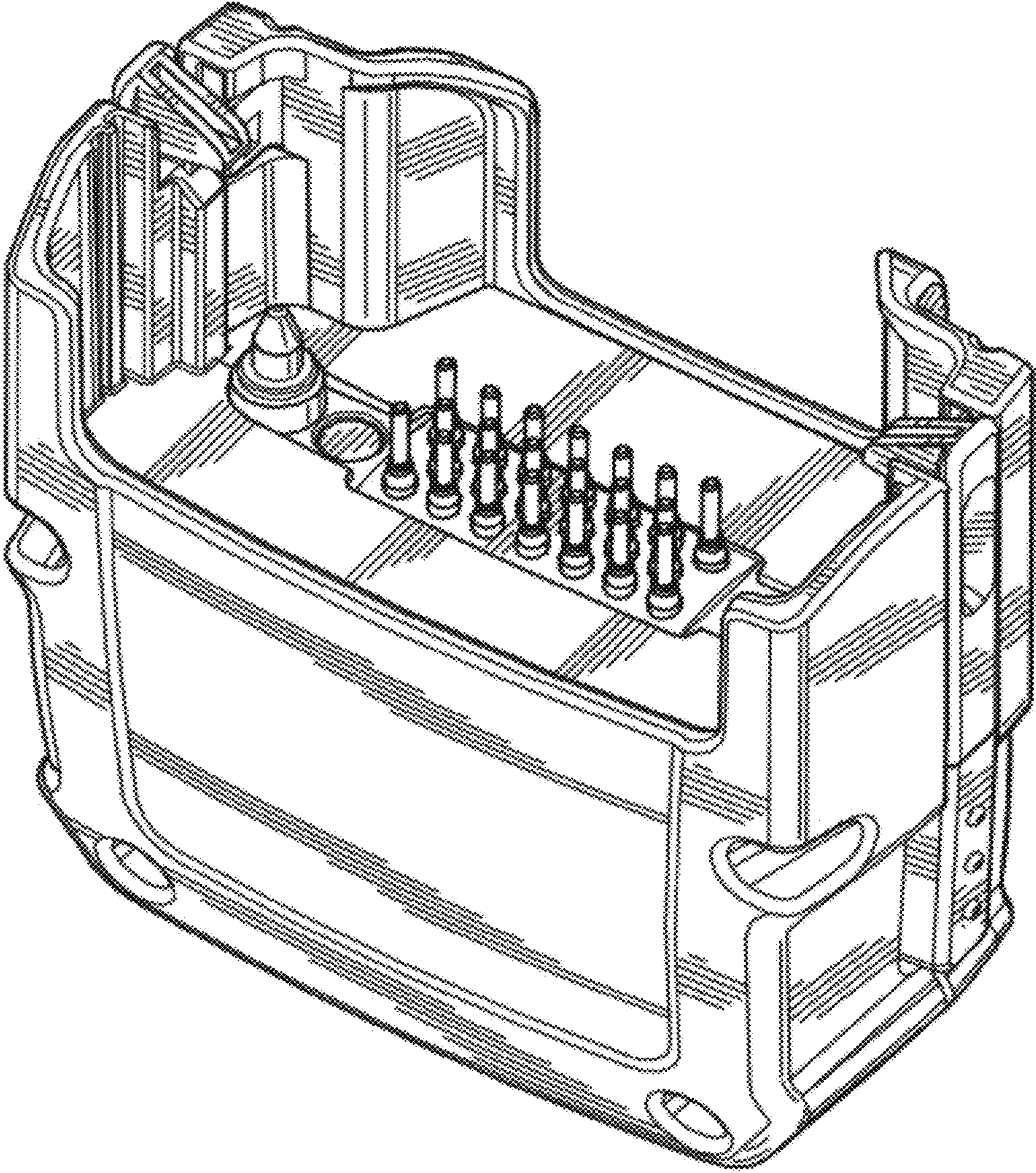


FIG. 1

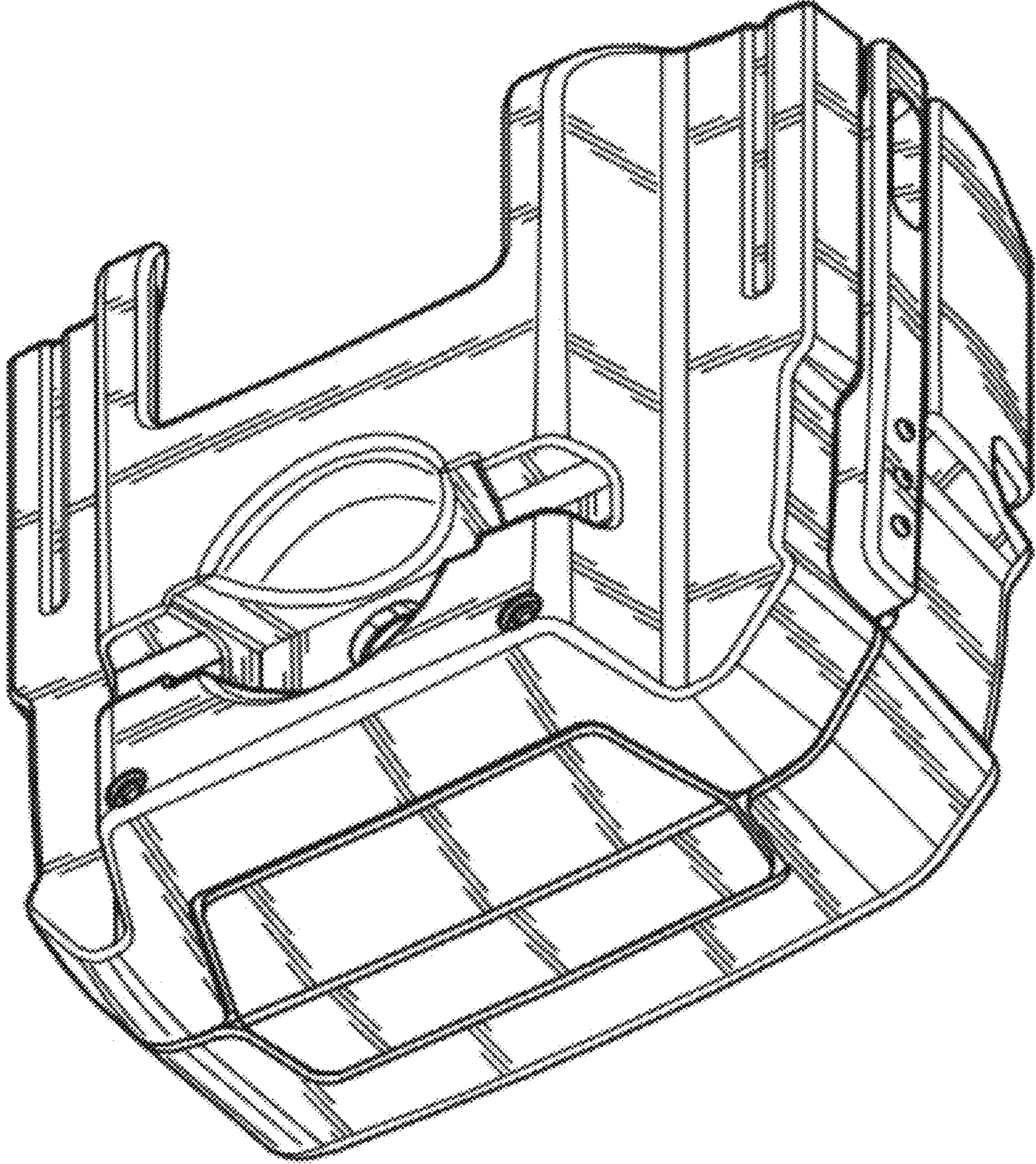


FIG. 2

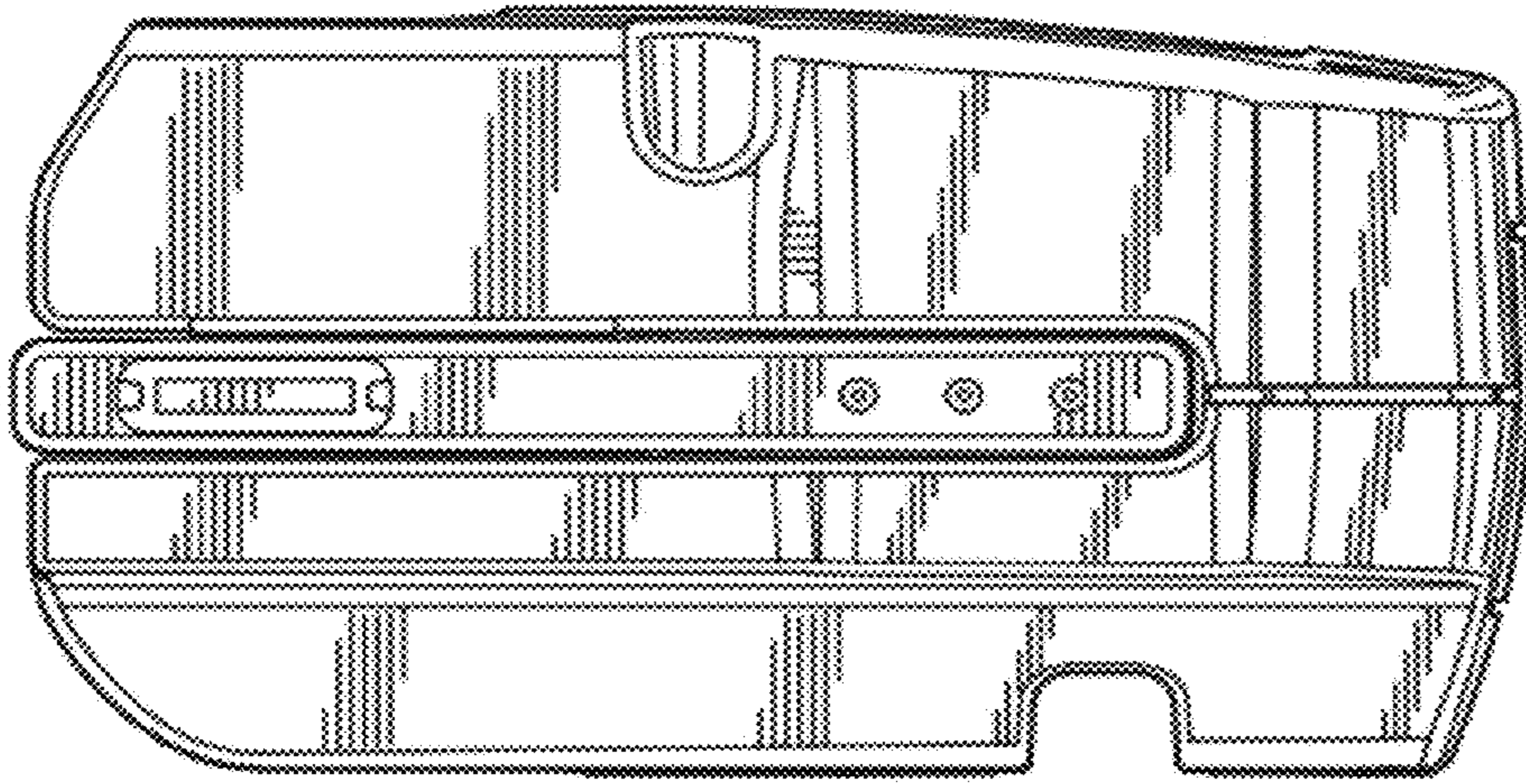


FIG. 4

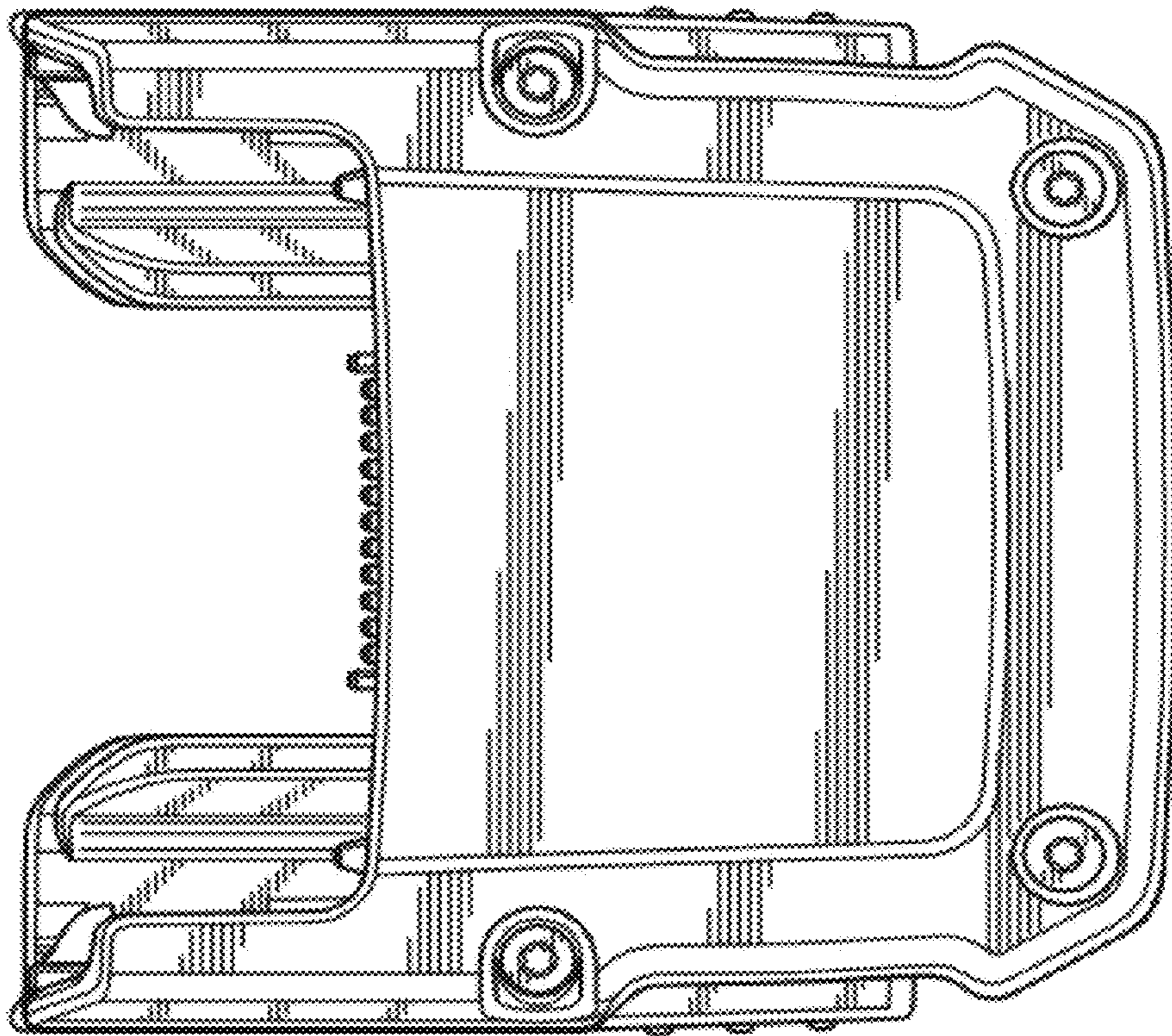


FIG. 3

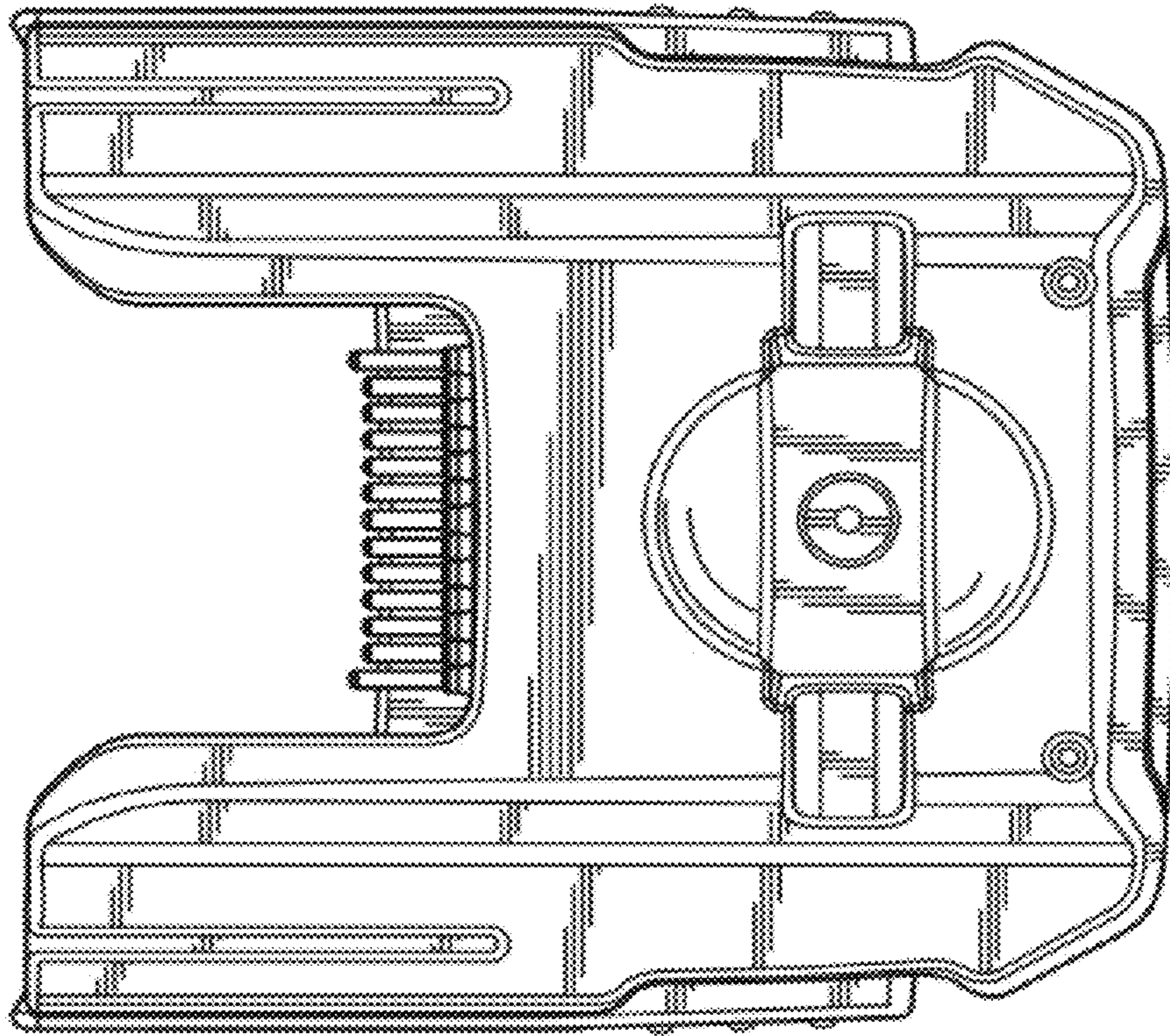


FIG. 6

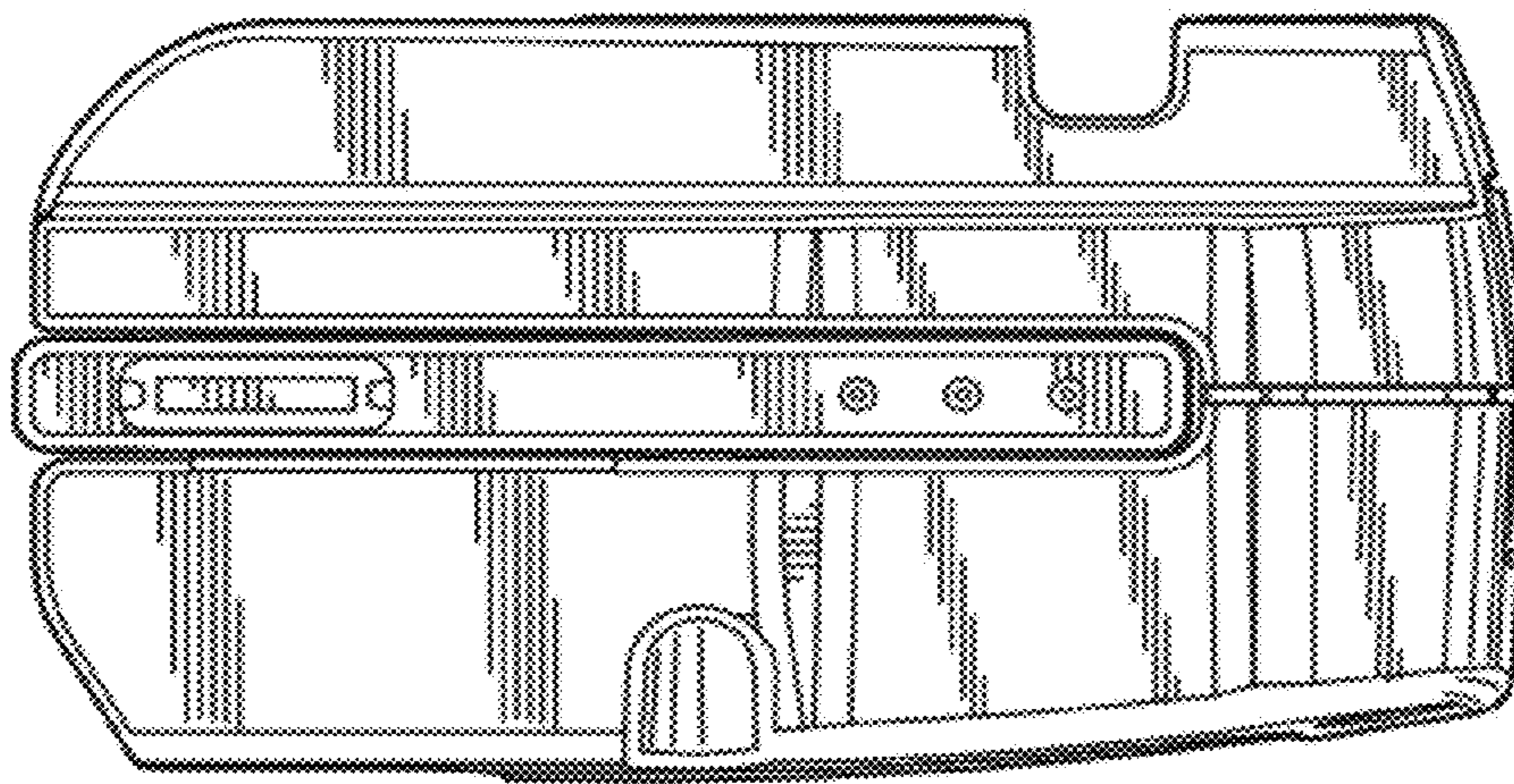


FIG. 5

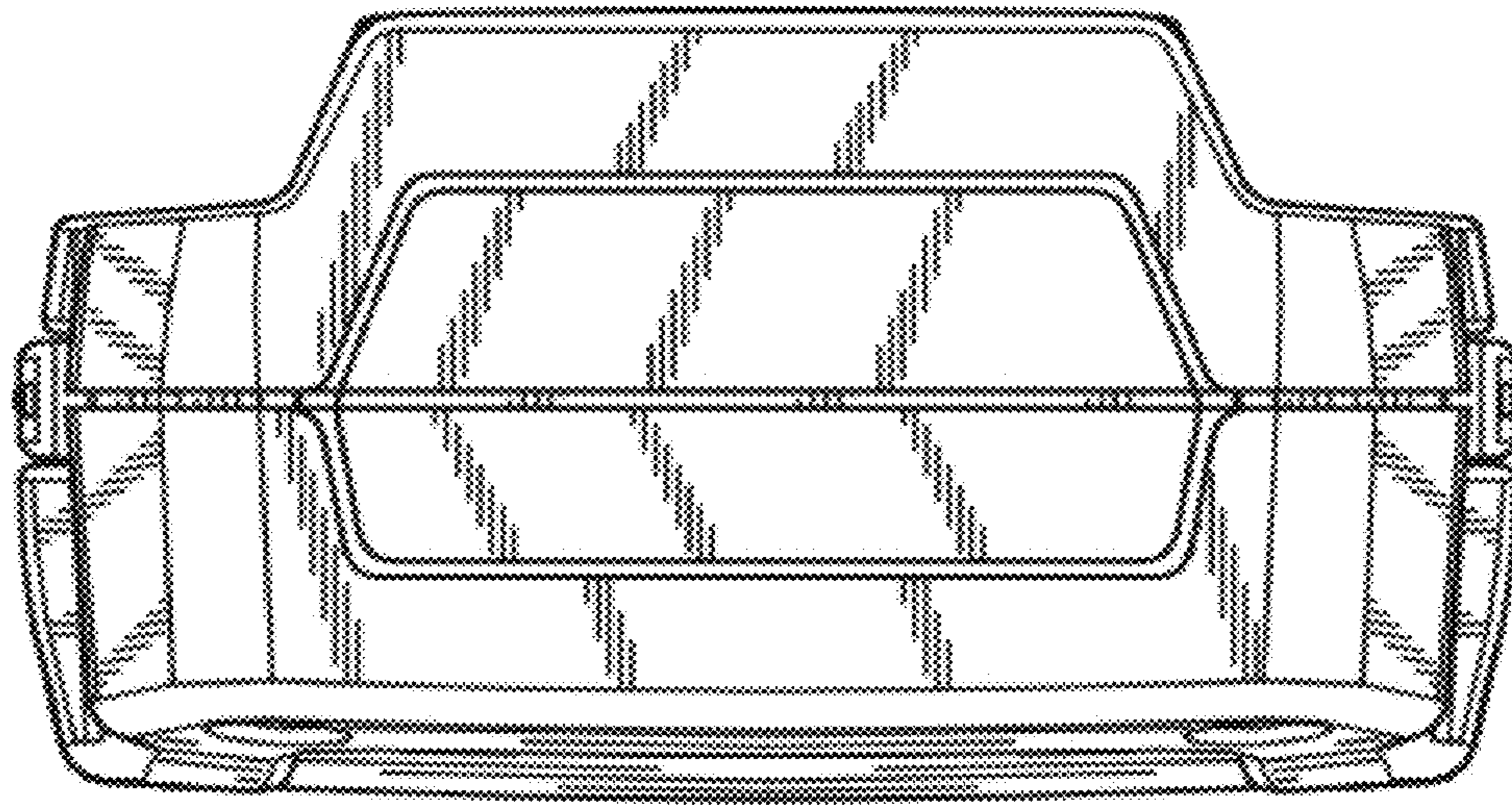


FIG. 7

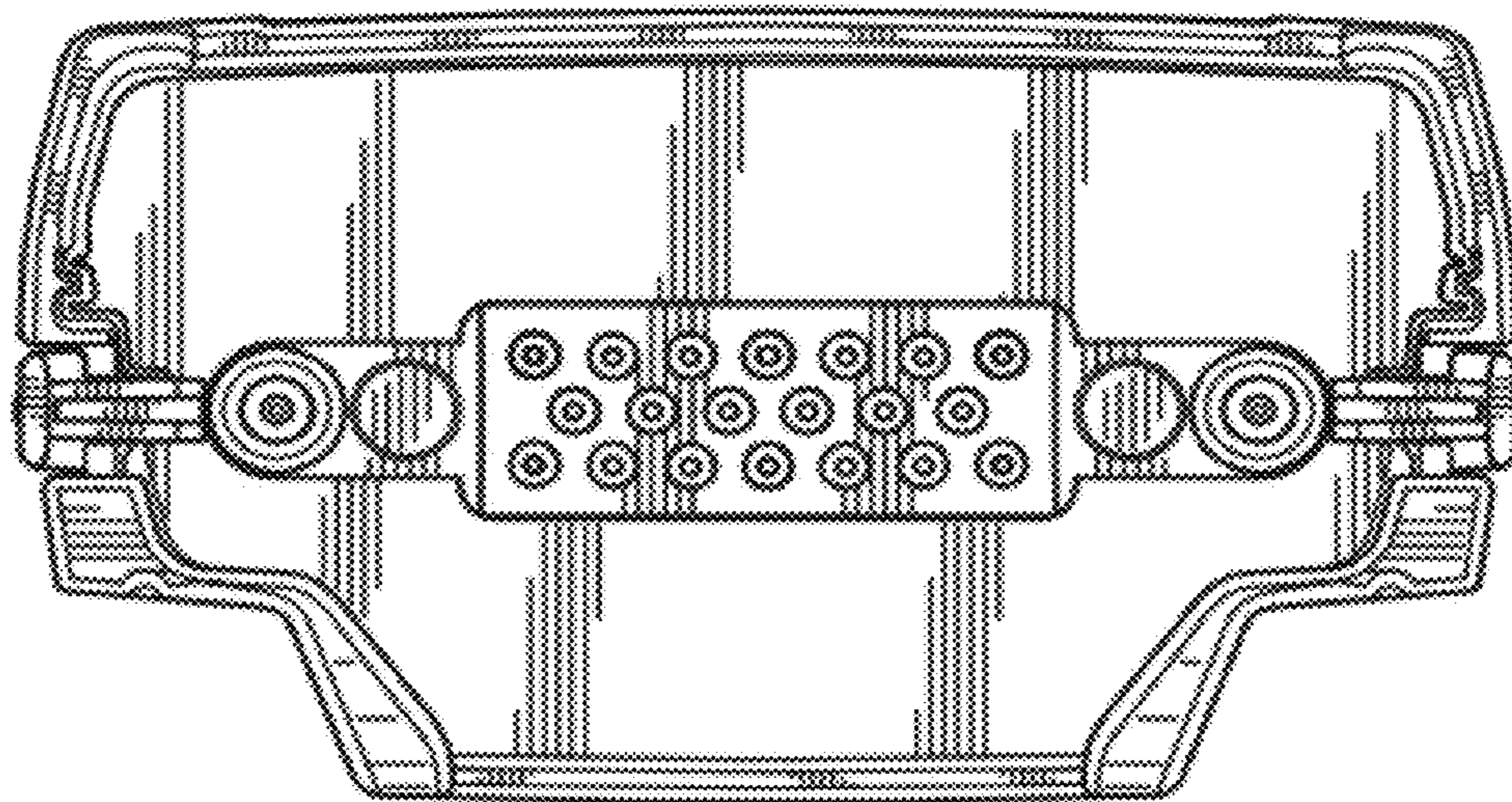


FIG. 8