



US00D658190S

(12) **United States Design Patent**  
**Akana et al.**

(10) **Patent No.:** **US D658,190 S**  
(45) **Date of Patent:** **\*\* Apr. 24, 2012**

(54) **ELECTRONIC DEVICE**

(75) Inventors: **Jody Akana**, San Francisco, CA (US);  
**Bartley K. Andre**, Menlo Park, CA  
(US); **Jeremy Bataillou**, San Francisco,  
CA (US); **Daniel J. Coster**, San  
Francisco, CA (US); **Daniele De Iuliis**,  
San Francisco, CA (US); **Evans**  
**Hankey**, San Francisco, CA (US);  
**Richard P. Howarth**, San Francisco, CA  
(US); **Jonathan P. Ive**, San Francisco,  
CA (US); **Duncan Robert Kerr**, San  
Francisco, CA (US); **Shin Nishibori**,  
Portola Valley, CA (US); **Matthew Dean**  
**Rohrbach**, San Francisco, CA (US);  
**Peter Russell-Clarke**, San Francisco,  
CA (US); **Christopher J. Stringer**,  
Woodside, CA (US); **Eugene Antony**  
**Whang**, San Francisco, CA (US); **Rico**  
**Zorkendorfer**, San Francisco, CA (US)

(73) Assignee: **Apple Inc.**, Cupertino, CA (US)

(\*\*) Term: **14 Years**

(21) Appl. No.: **29/390,850**

(22) Filed: **Apr. 29, 2011**

**Related U.S. Application Data**

(63) Continuation of application No. 29/345,580, filed on  
Oct. 19, 2009, now Pat. No. Des. 651,607.

(51) **LOC (9) Cl.** ..... **14-02**

(52) **U.S. Cl.** ..... **D14/448**

(58) **Field of Classification Search** ..... D14/448,  
D14/449, 450, 439, 440, 432, 371, 372, 373,  
D14/374, 375, 376, 377, 378, 379, 380, 381,  
D14/382, 336, 337, 125, 126, 127, 239; D6/300,  
D6/308, 310; 345/905; 348/184, 739, 761,  
348/766, 789, 790, 794, 825, 836, 840; 349/58;  
248/917-924

See application file for complete search history.

(56) **References Cited**

U.S. PATENT DOCUMENTS

D401,574 S 11/1998 Leman et al.  
D416,549 S 11/1999 Coster et al.  
D416,876 S 11/1999 Yin  
D416,877 S 11/1999 Liu et al.  
D423,475 S 4/2000 Maruyama et al.  
D425,035 S 5/2000 Kondo et al.  
D428,415 S 7/2000 Shibata  
D434,763 S 12/2000 Jobs et al.

(Continued)

FOREIGN PATENT DOCUMENTS

EM 000868187-0005 \* 5/2008

(Continued)

OTHER PUBLICATIONS

Macworld magazine, Jun. 2007, cover.

(Continued)

*Primary Examiner* — Angela J Lee

(74) *Attorney, Agent, or Firm* — SAIDMAN DesignLaw  
Group

(57) **CLAIM**

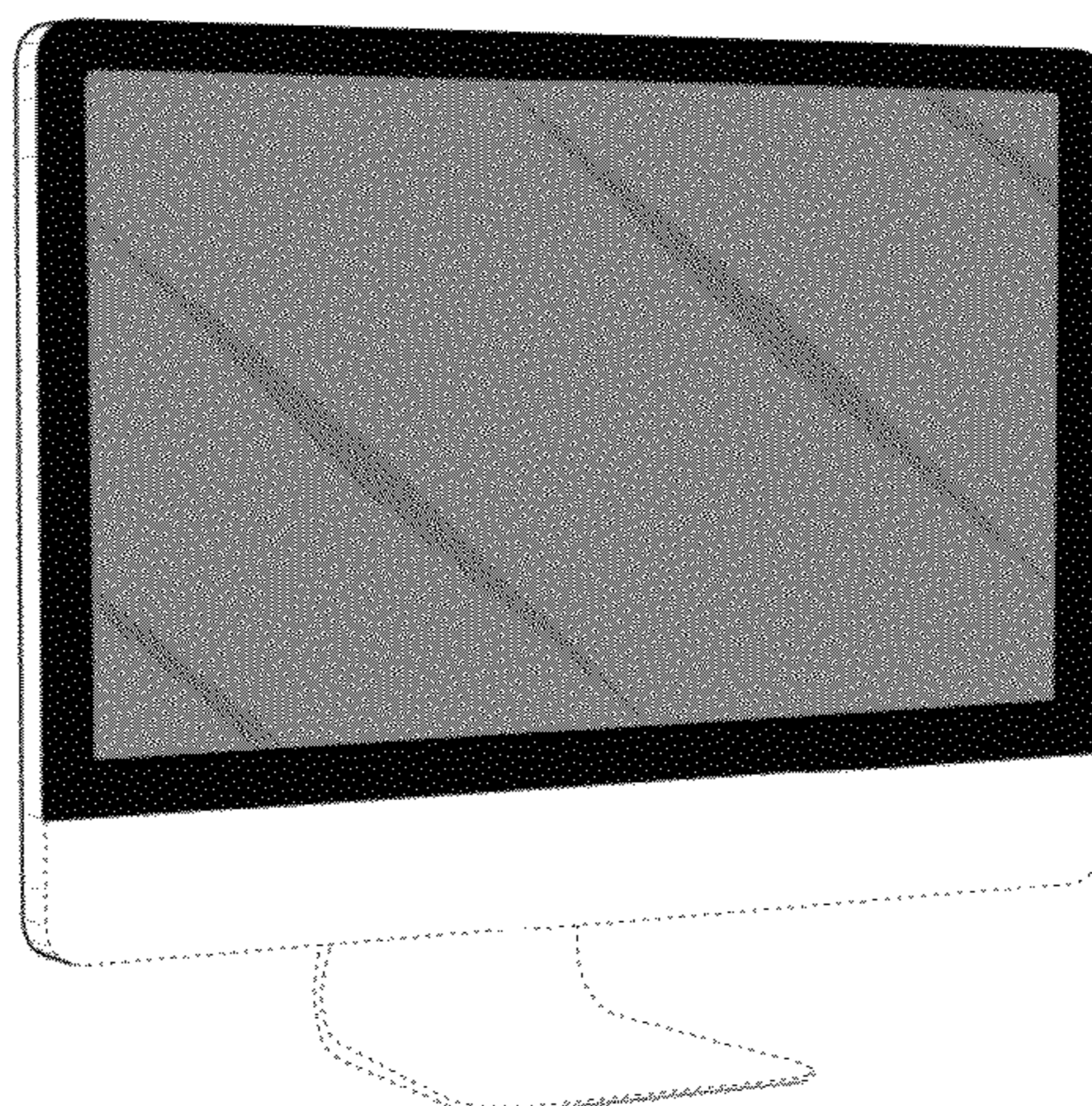
The ornamental design for an electronic device, as shown and  
described.

**DESCRIPTION**

FIG. 1 is a front perspective view of a first embodiment of an  
electronic device showing our new design;  
FIG. 2 is a rear perspective view thereof;  
FIG. 3 is a left side view thereof;  
FIG. 4 is a right side view thereof;  
FIG. 5 is a top view thereof; and,  
FIG. 6 is a bottom view thereof.

The broken lines are for the purpose of illustrating portions of  
the electronic device and form no part of the claimed design.  
The black shading on the front of the monitor represents the  
color black and the dark gray shading on the front of the  
monitor represents the color gray.

**1 Claim, 4 Drawing Sheets**



# US D658,190 S

Page 2

## U.S. PATENT DOCUMENTS

D453,022 S 1/2002 Oba  
D454,352 S 3/2002 Love et al.  
6,381,125 B1 4/2002 Mizoguchi et al.  
D457,864 S 5/2002 Bong et al.  
D483,020 S 12/2003 Nagao et al.  
D483,363 S 12/2003 Olson et al.  
D489,042 S 4/2004 Joe et al.  
D492,291 S 6/2004 Takahashi et al.  
D495,706 S 9/2004 Lin et al.  
D499,097 S 11/2004 Tsuji et al.  
D504,876 S 5/2005 Zheng  
D504,889 S 5/2005 Andre et al.  
D510,730 S 10/2005 Asanuma et al.  
D516,557 S 3/2006 Noda et al.  
D520,006 S 5/2006 Chen et al.  
D528,116 S \* 9/2006 Won et al. .... D14/375  
D529,913 S 10/2006 Chen et al.  
D531,631 S 11/2006 Andre et al.  
D532,011 S 11/2006 Andre et al.  
D541,234 S 4/2007 Iijima et al.  
D541,278 S 4/2007 Hsu et al.  
D541,799 S 5/2007 Andre et al.  
D543,517 S 5/2007 Chikuma et al.  
7,232,098 B2 6/2007 Rawlings et al.  
D545,820 S 7/2007 Won et al.  
D556,755 S 12/2007 Lee et al.  
D562,274 S 2/2008 Wang  
D565,518 S 4/2008 Tu  
D566,066 S 4/2008 Wang  
D567,196 S 4/2008 Shih  
D571,803 S \* 6/2008 Morelock et al. .... D14/371  
D597,979 S \* 8/2009 Trang et al. .... D14/126  
D598,446 S 8/2009 Pan et al.  
D600,696 S 9/2009 Andre et al.  
D604,291 S \* 11/2009 Andre et al. .... D14/315  
D604,733 S 11/2009 Andre et al.

D605,193 S 12/2009 Andre et al.  
D610,138 S \* 2/2010 Andre et al. .... D14/336  
D610,139 S \* 2/2010 Kamata et al. .... D14/337  
D610,584 S \* 2/2010 Zhu ..... D14/374  
D615,542 S \* 5/2010 Oikawa et al. .... D14/374  
D618,241 S \* 6/2010 Akana et al. .... D14/374  
D618,242 S \* 6/2010 Akana et al. .... D14/374  
D620,908 S \* 8/2010 Suzuki et al. .... D14/126  
D620,932 S \* 8/2010 Andre et al. .... D14/336  
D621,830 S \* 8/2010 Andre et al. .... D14/336  
D621,841 S \* 8/2010 Andre et al. .... D14/448  
D629,768 S \* 12/2010 Tako ..... D14/126  
D638,013 S \* 5/2011 Andre et al. .... D14/374  
2002/0020792 A1 2/2002 Lee  
2003/0189155 A1 10/2003 Serbinski et al.  
2006/0076463 A1 4/2006 Drew  
2006/0237599 A1 10/2006 Ternus et al.

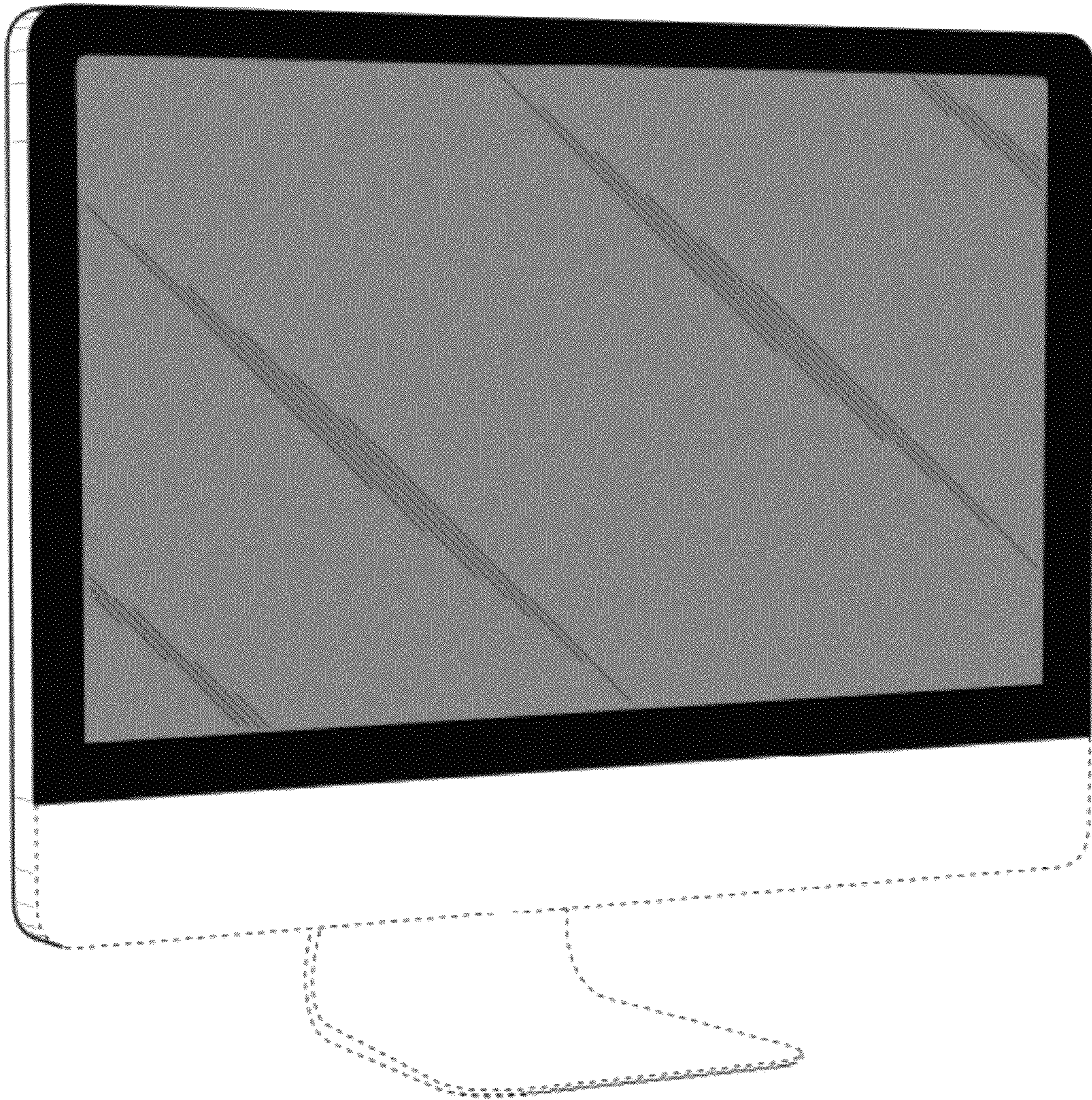
## FOREIGN PATENT DOCUMENTS

EM 000868187-0011 \* 5/2008

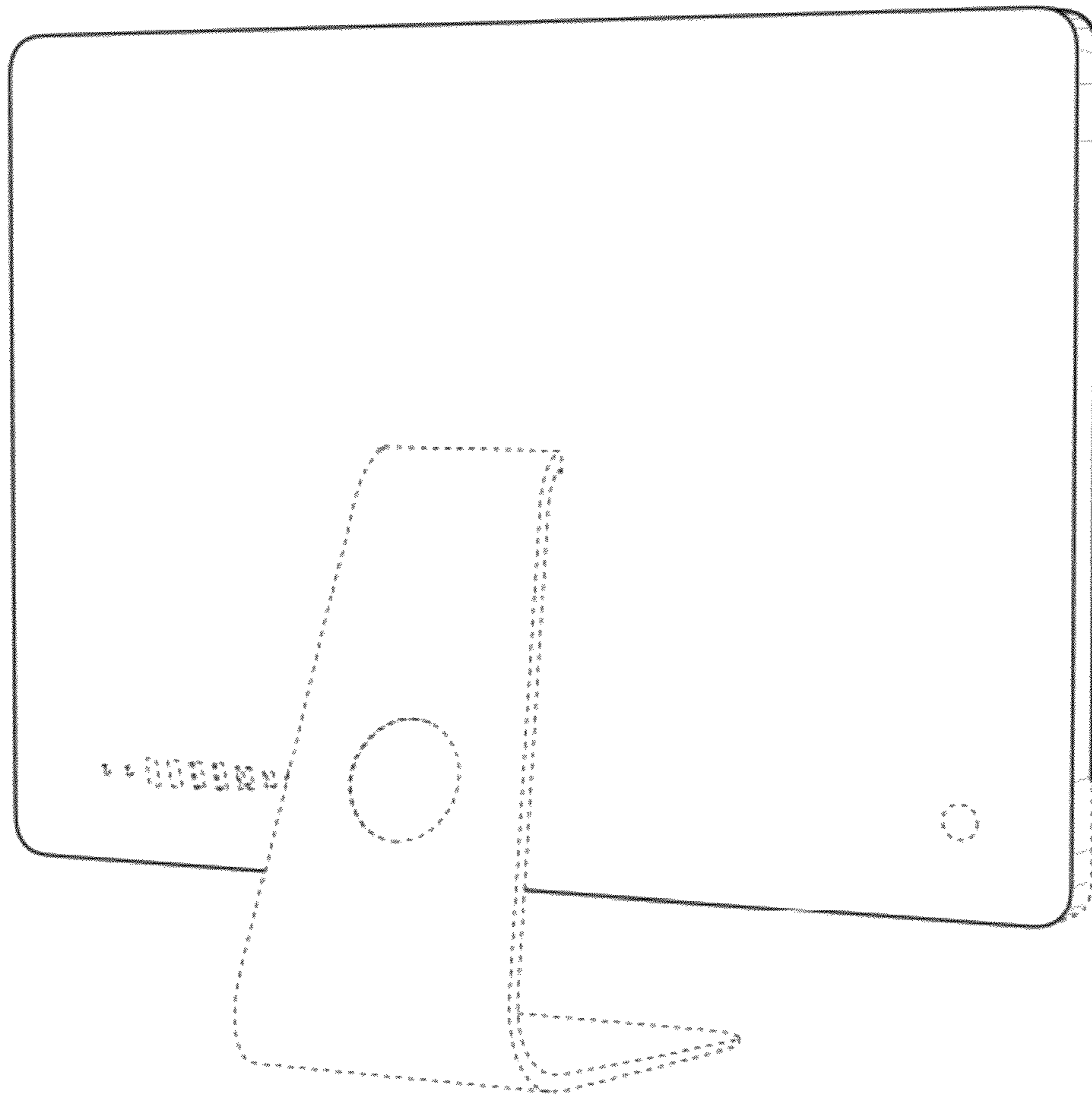
## OTHER PUBLICATIONS

U.S. Appl. No. 29/289,807 entitled "Computer" filed Aug. 1, 2007, as amended Aug. 25, 2009.  
Apple iMac, <http://www.apple.com/imac>, available at least as early as Oct. 10, 2008.  
U.S. Appl. No. 29/326,226 entitled "Monitor" filed Oct. 14, 2008, as amended Aug. 9, 2009.  
U.S. Appl. No. 29/327,929 entitled "Electronic Device" filed Nov. 14, 2008, as amended Jan. 26, 2009.  
U.S. Appl. No. 29/338,530 entitled "Monitor" filed Jun. 12, 2009.  
U.S. Appl. No. 29/345,525 entitled "Computer" filed Aug. 26, 2009.  
U.S. Appl. No. 29/345,722 entitled "Computer" filed Oct. 21, 2009.

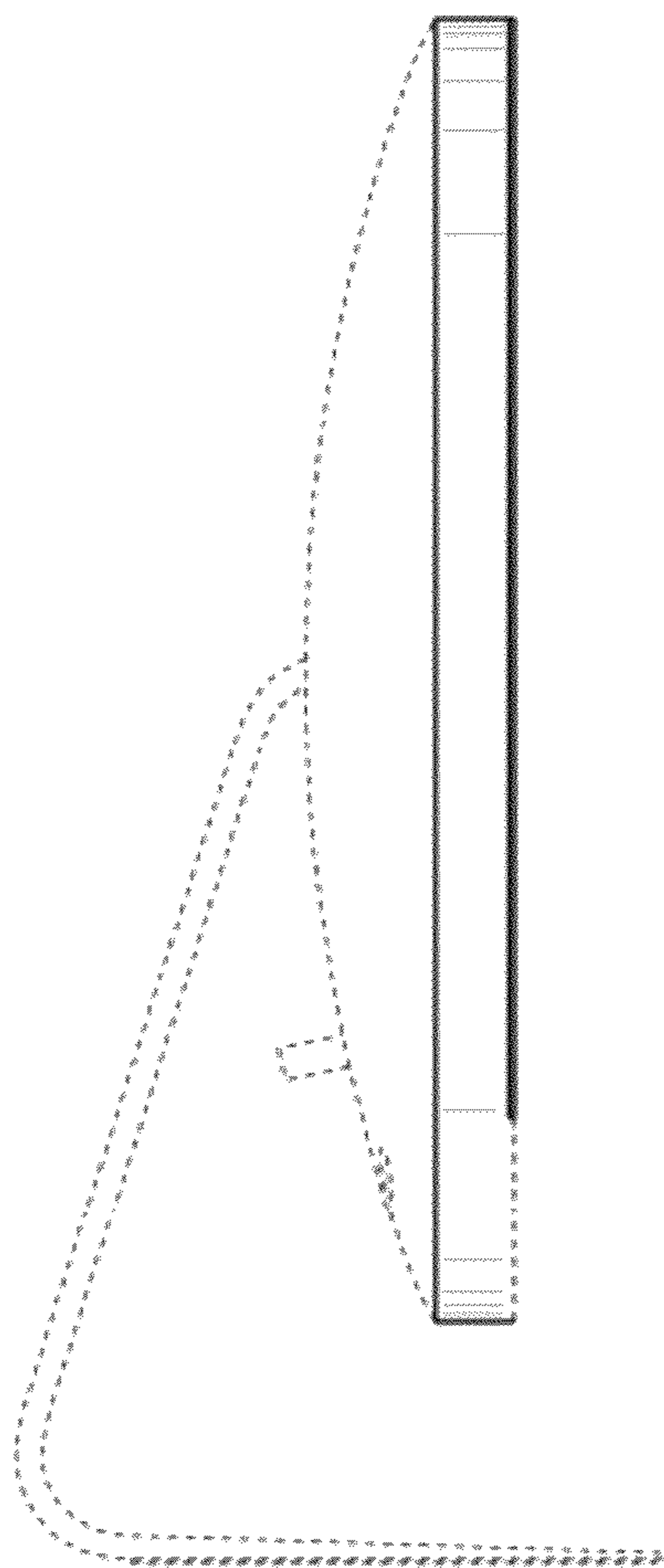
\* cited by examiner



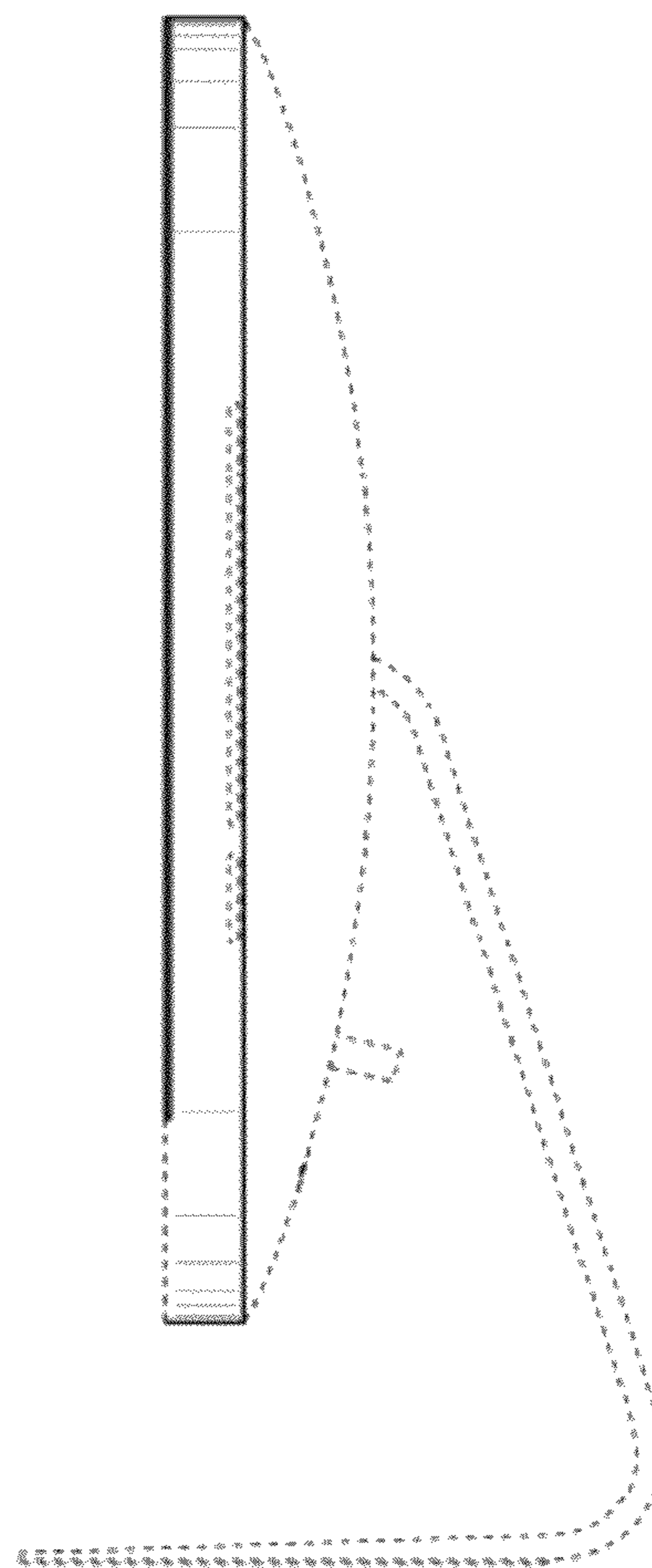
**Fig. 1**



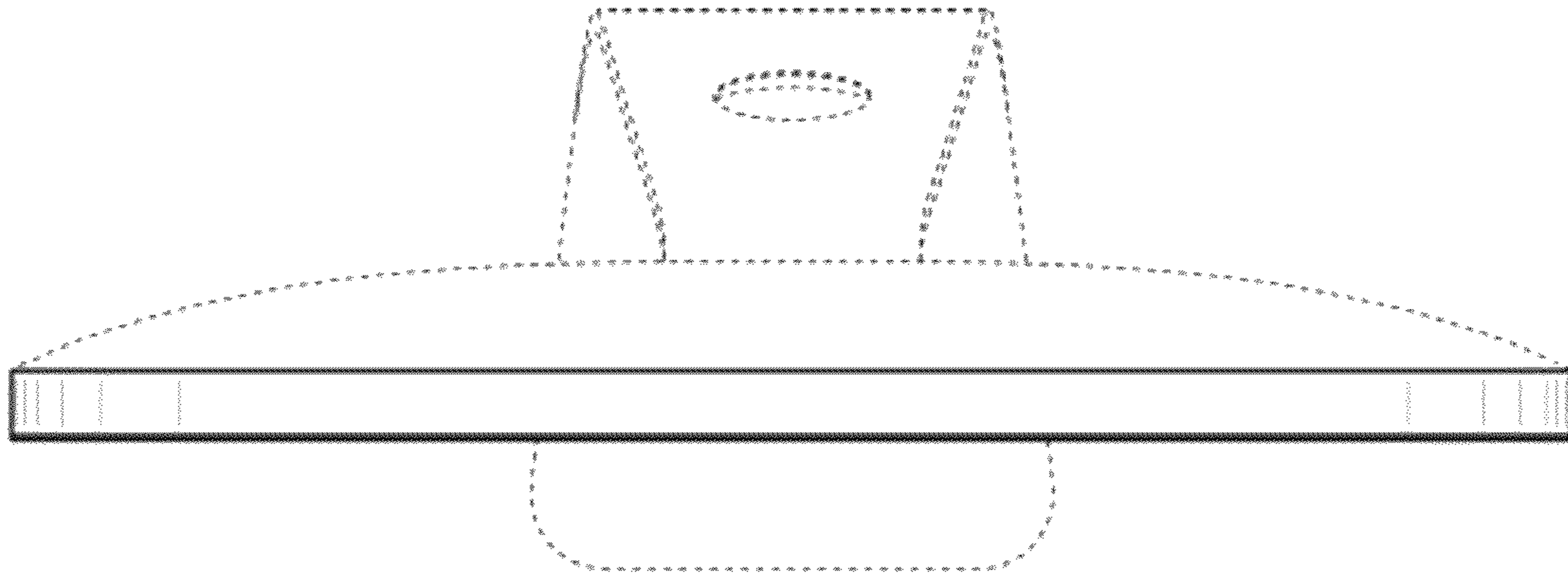
**Fig. 2**



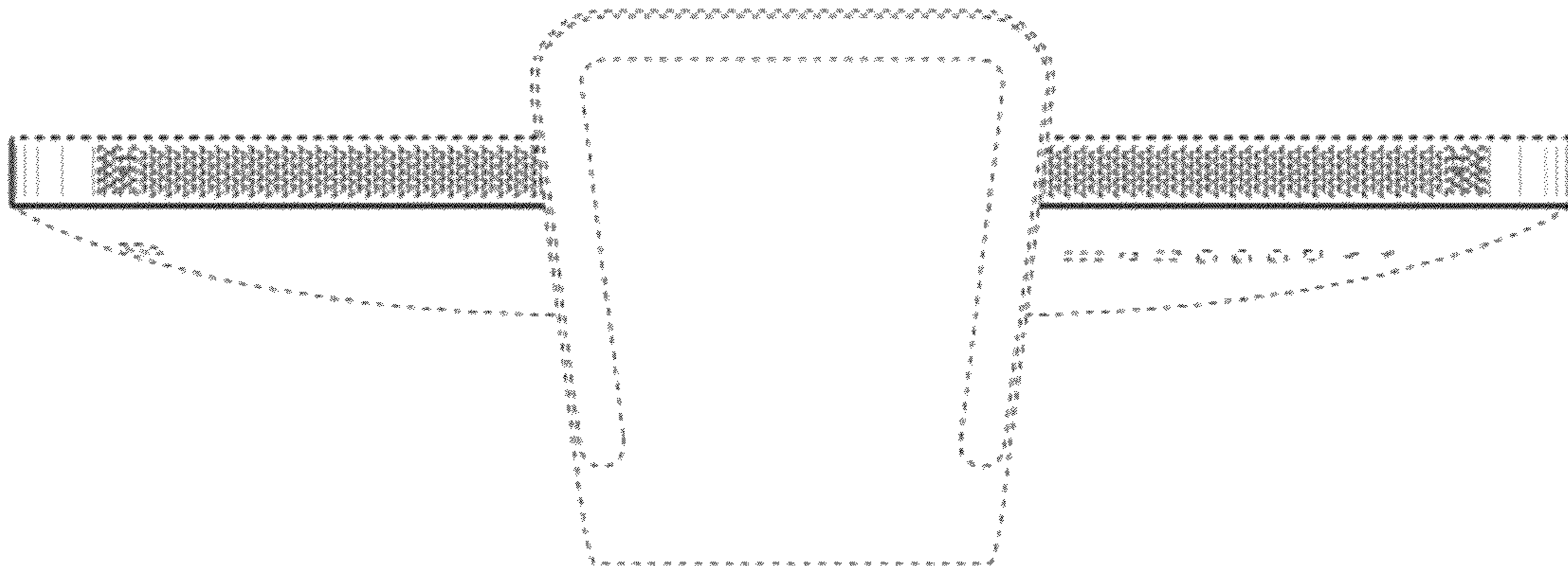
**Fig. 3**



**Fig. 4**



**Fig. 5**



**Fig. 6**