



US00D658189S

(12) **United States Design Patent**
Zhao et al.

(10) **Patent No.:** **US D658,189 S**
(45) **Date of Patent:** **** Apr. 24, 2012**

(54) **THREE-LEGGED FOLDABLE BRACKET**

(75) Inventors: **Ben-Xiang Zhao**, Shenzhen (CN);
Wu-Zhu Hu, Shenzhen (CN); **Wu-Qi Li**, Shenzhen (CN); **Tang Li**, Shenzhen (CN)

(73) Assignee: **Hon Hai Precision Industry Co., Ltd.**,
Tu-Cheng, New Taipei (TW)

(**) Term: **14 Years**

(21) Appl. No.: **29/398,946**

(22) Filed: **Aug. 8, 2011**

(51) **LOC (9) Cl.** **14-02**

(52) **U.S. Cl.** **D14/447**

(58) **Field of Classification Search** D14/447,
D14/432, 434, 433, 439, 440, 448, 451, 452,
D14/457, 400, 401, 239, 217, 238.1, 250,
D14/251, 252, 253; D21/333, 324, 325,
D21/328, 329, 330, 331, 332; D13/107,
D13/108; D6/310, 311, 312, 406.3, 406.4,
D6/406.5, 419, 566; D8/363, 373, 376, 380,
D8/381, 306, 323, 325, 349, 354; 248/917-924,
248/441.1, 447, 451, 459, 460, 462, 463,
248/121, 139, 151, 434, 170, 176.1, 177.1,
248/281.11, 309.3, 346.5; 361/379.02, 679.05,
361/679.06, 679.07, 679.09, 679.1, 679.21,
361/679.22, 679.23, 679.25, 679.26, 679.27,
361/679.3, 679.55, 679.56, 679.29, 679.28;
379/455, 454; 312/223.3

See application file for complete search history.

(56) **References Cited**

U.S. PATENT DOCUMENTS

D470,149	S	*	2/2003	West	D14/447
D575,293	S	*	8/2008	Derry et al.	D14/447
D603,840	S	*	11/2009	Lee et al.	D14/217
D610,587	S	*	2/2010	Bandringa	D14/447
D620,941	S	*	8/2010	Stacey et al.	D14/447
D621,683	S	*	8/2010	Mullenix	D8/323
D630,222	S	*	1/2011	Lin	D14/447
D636,397	S	*	4/2011	Green	D14/447
7,980,737	B2	*	7/2011	Hu	362/382
D646,553	S	*	10/2011	Peng et al.	D8/349
D651,213	S	*	12/2011	Magness et al.	D14/447
2010/0243850	A1	*	9/2010	Derry	248/372.1
2012/0001045	A1	*	1/2012	Wang	248/281.11

* cited by examiner

Primary Examiner — Angela J Lee

(74) *Attorney, Agent, or Firm* — Altis Law Group, Inc.

(57) **CLAIM**

The ornamental design for a three-legged foldable bracket, as shown and described.

DESCRIPTION

FIG. 1 is a perspective view of a three-legged foldable bracket showing my design.

FIG. 2 is a front elevational view thereof.

FIG. 3 is a rear elevational view thereof.

FIG. 4 is a left-side elevational view thereof.

FIG. 5 is a right-side elevational view thereof.

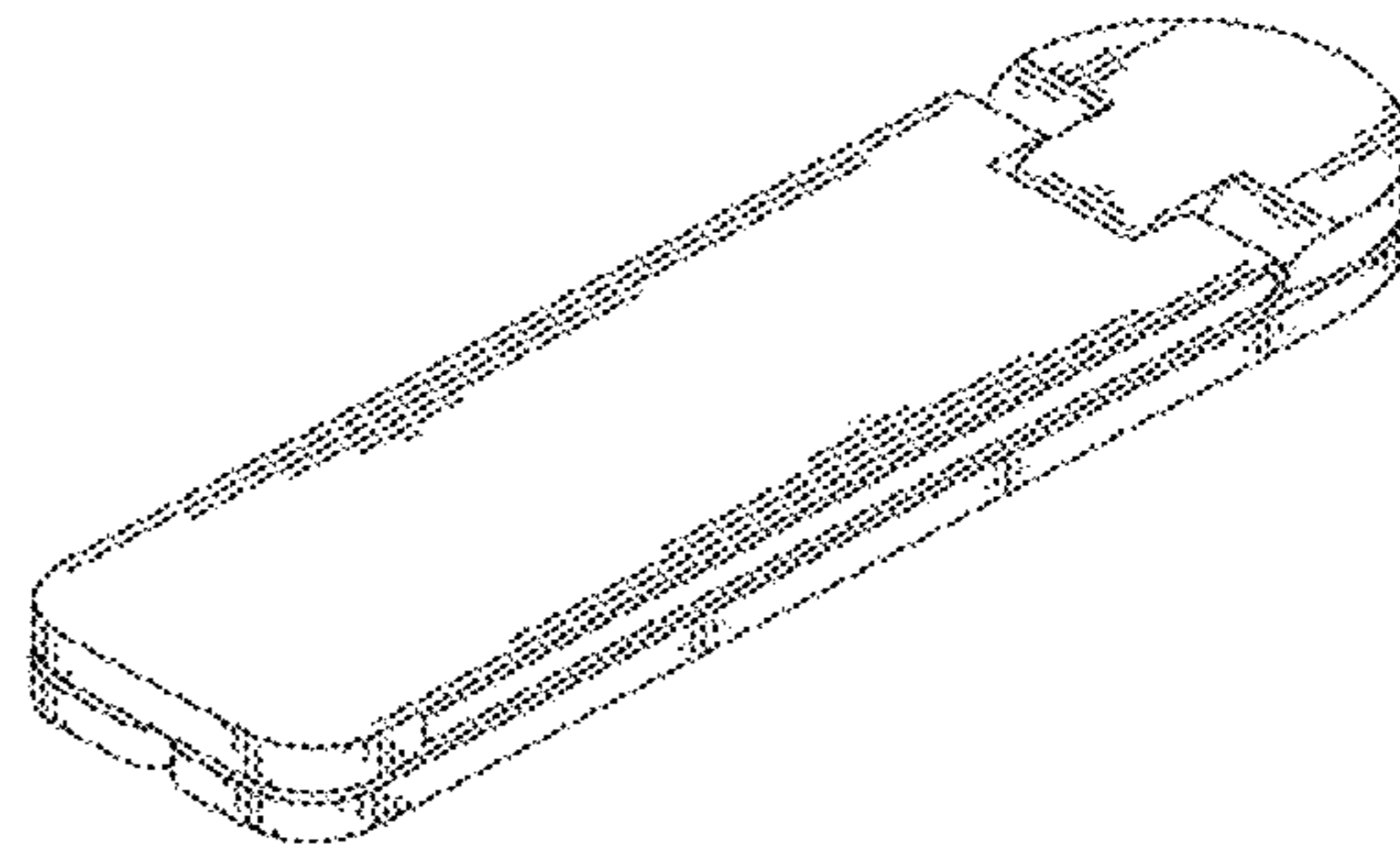
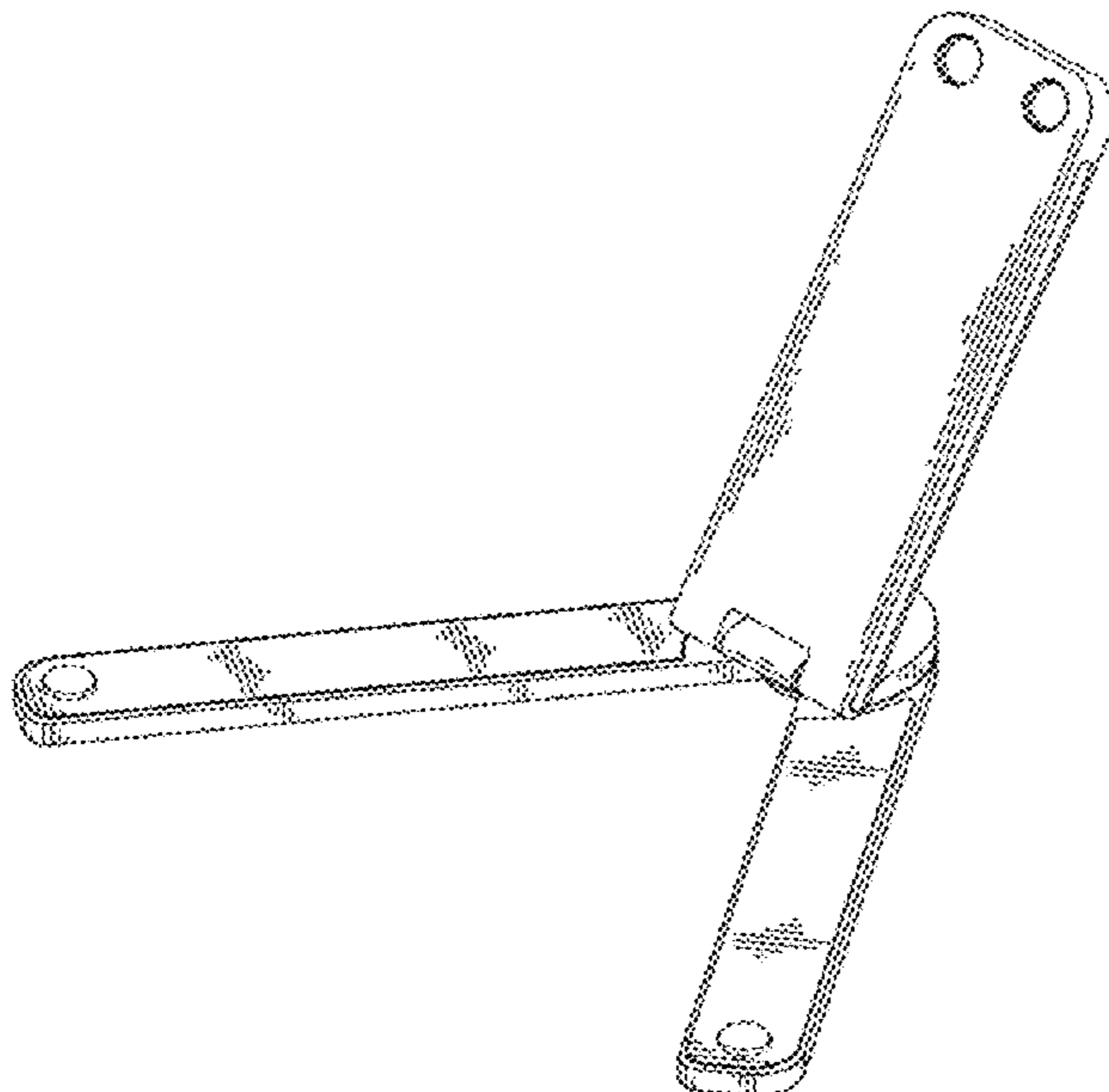
FIG. 6 is a top plan view thereof.

FIG. 7 is a bottom plan view thereof; and,

FIG. 8 is a closed and unused state view thereof.

The broken lines are for illustrative purposes only and form no part of the claimed design.

1 Claim, 8 Drawing Sheets



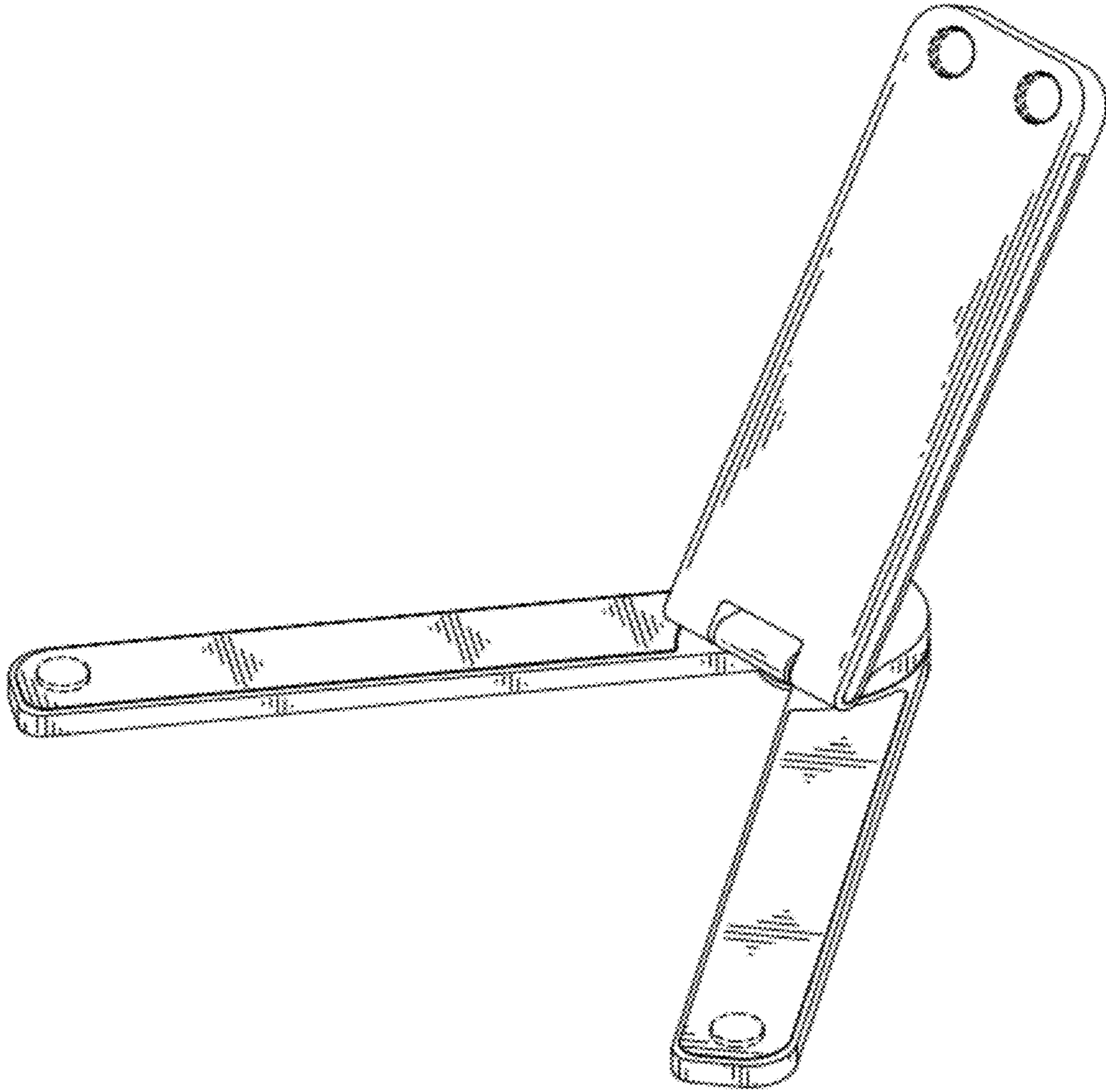


FIG. 1

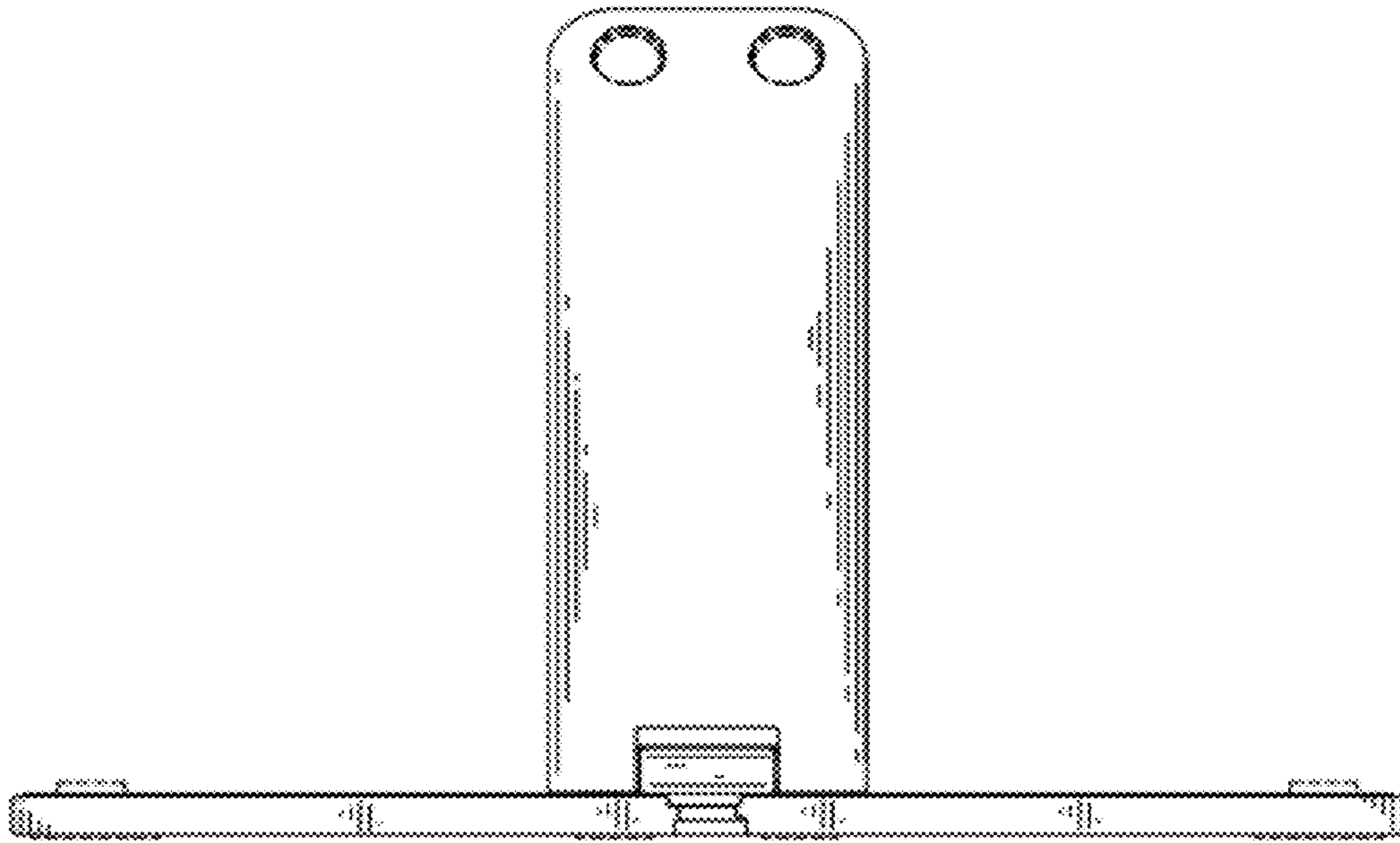


FIG. 2

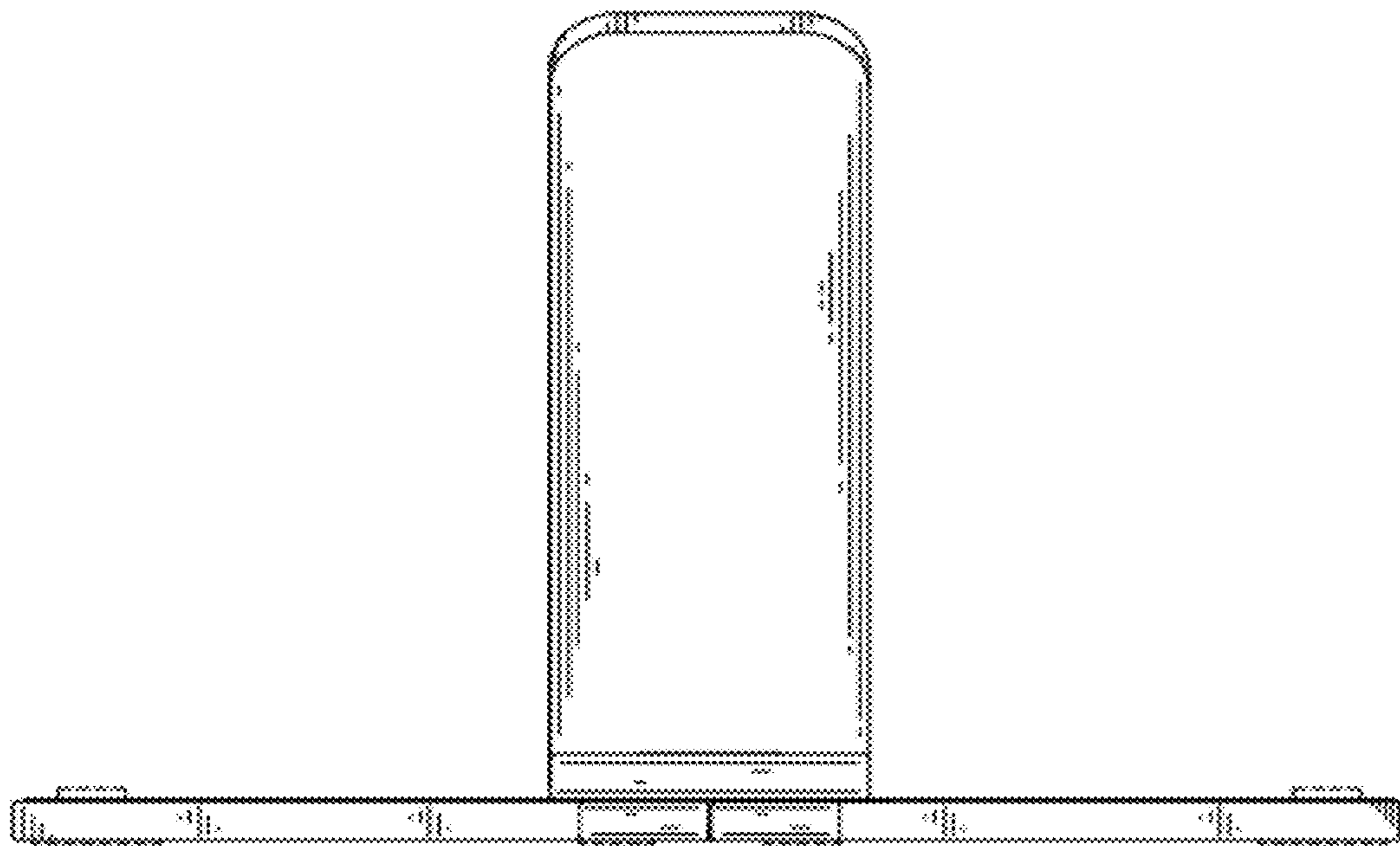


FIG. 3

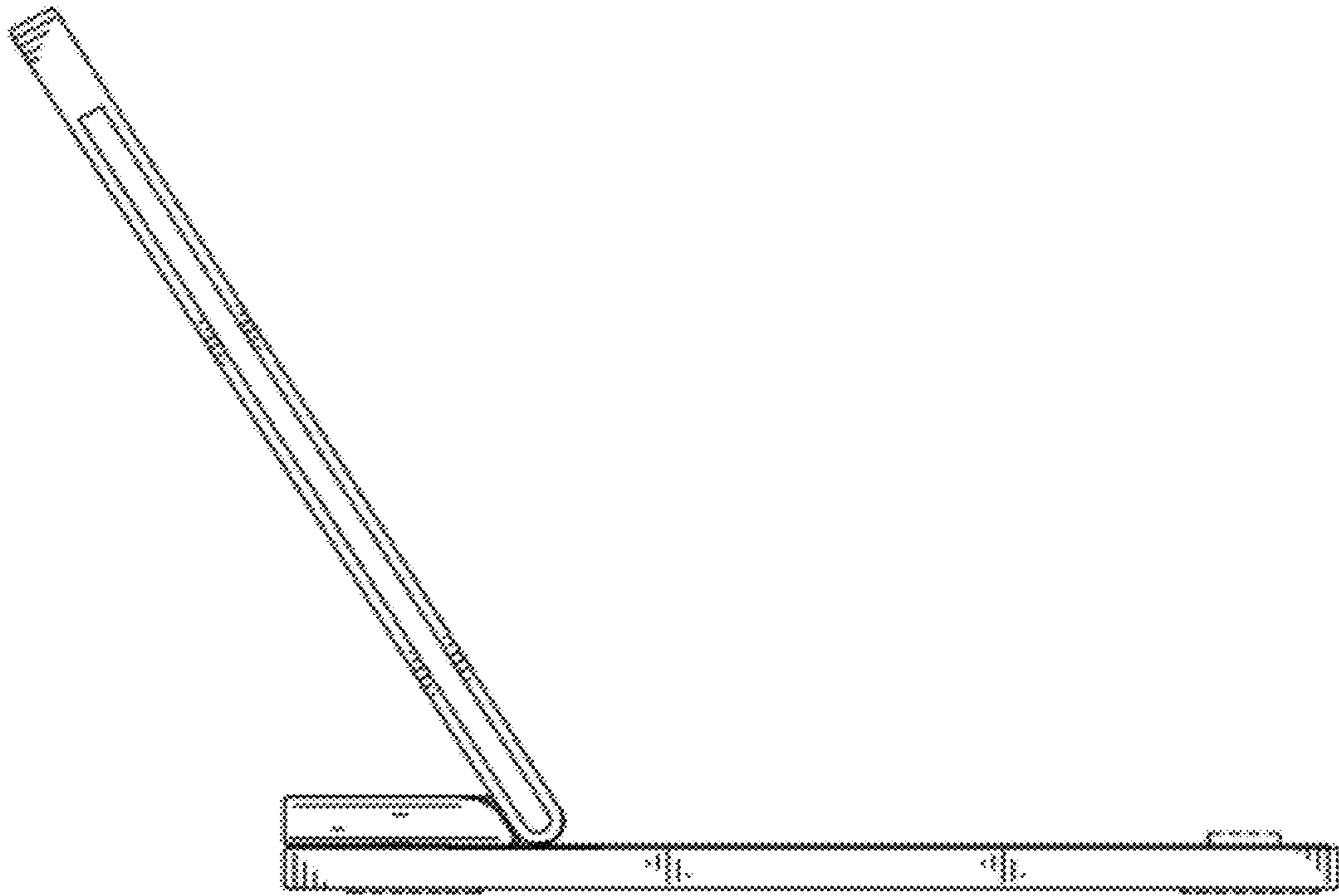


FIG. 4

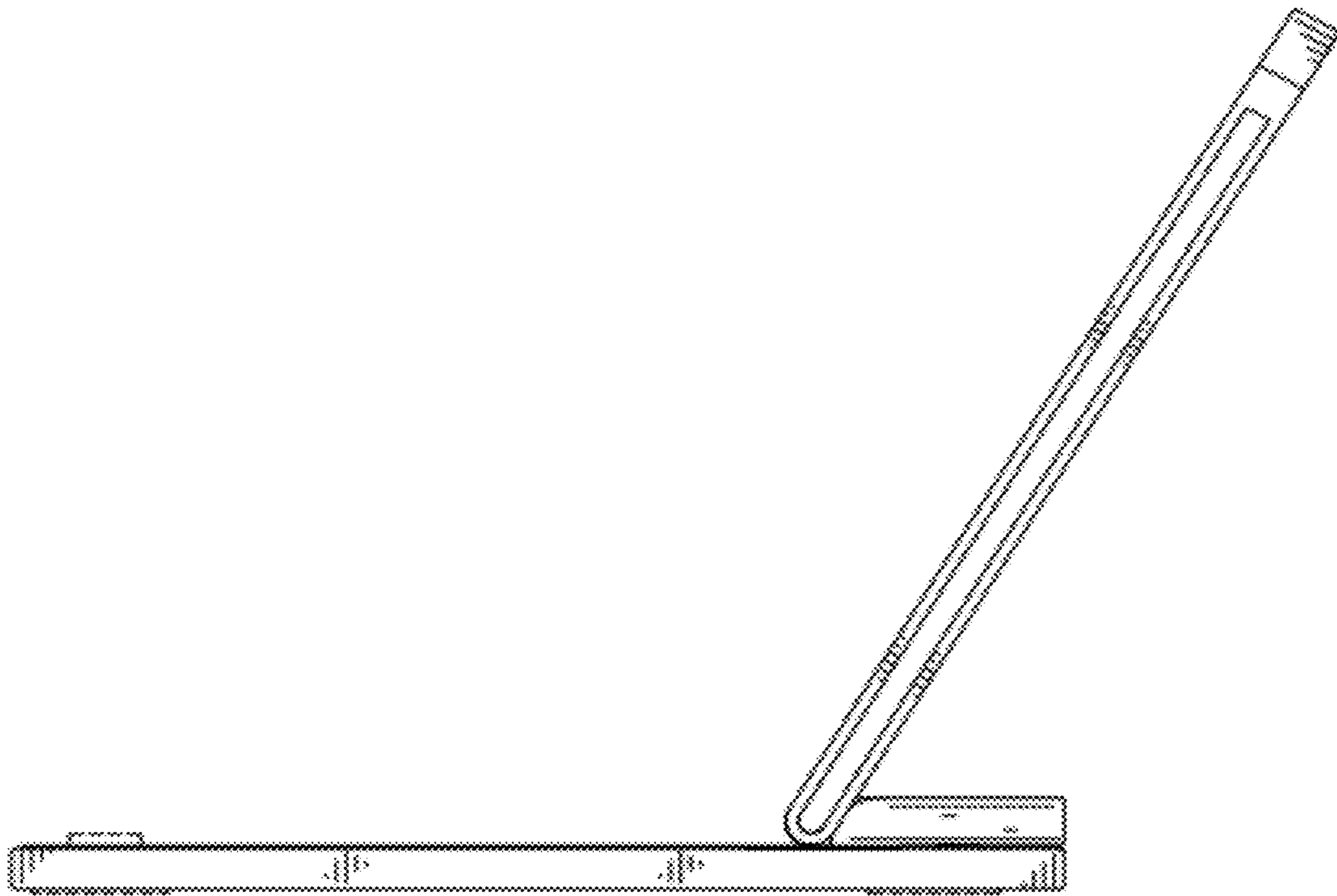


FIG. 5

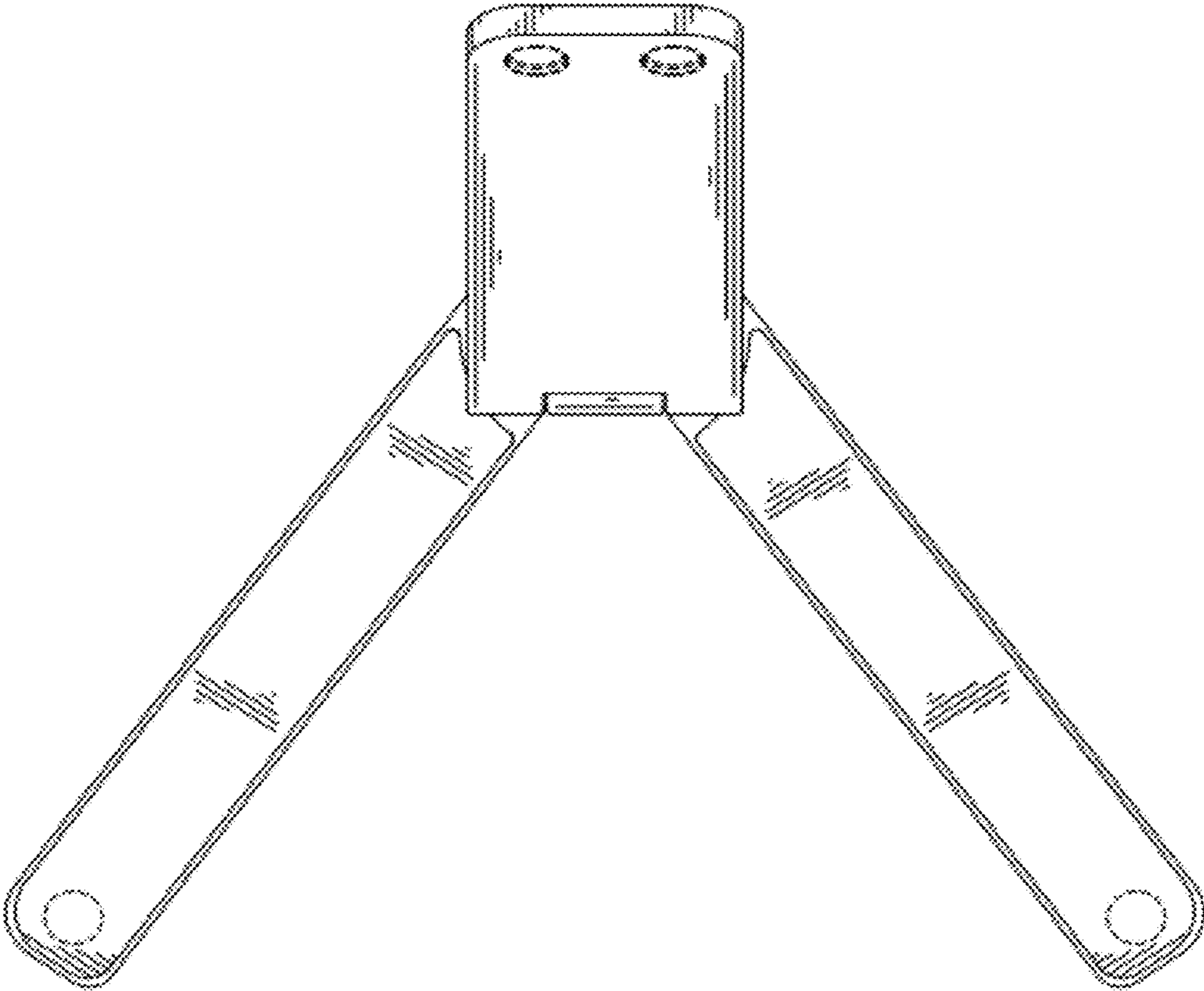


FIG. 6

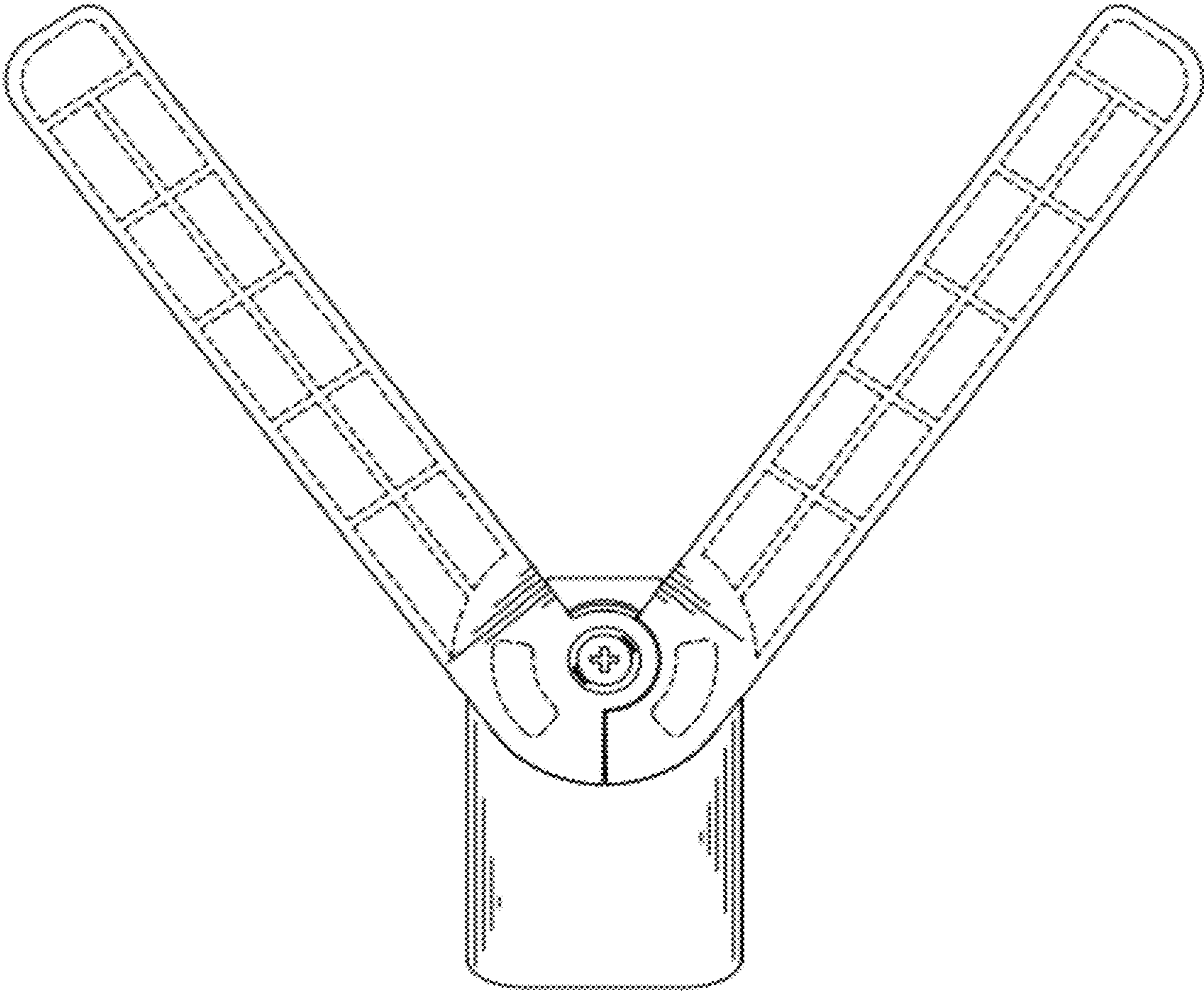


FIG. 7

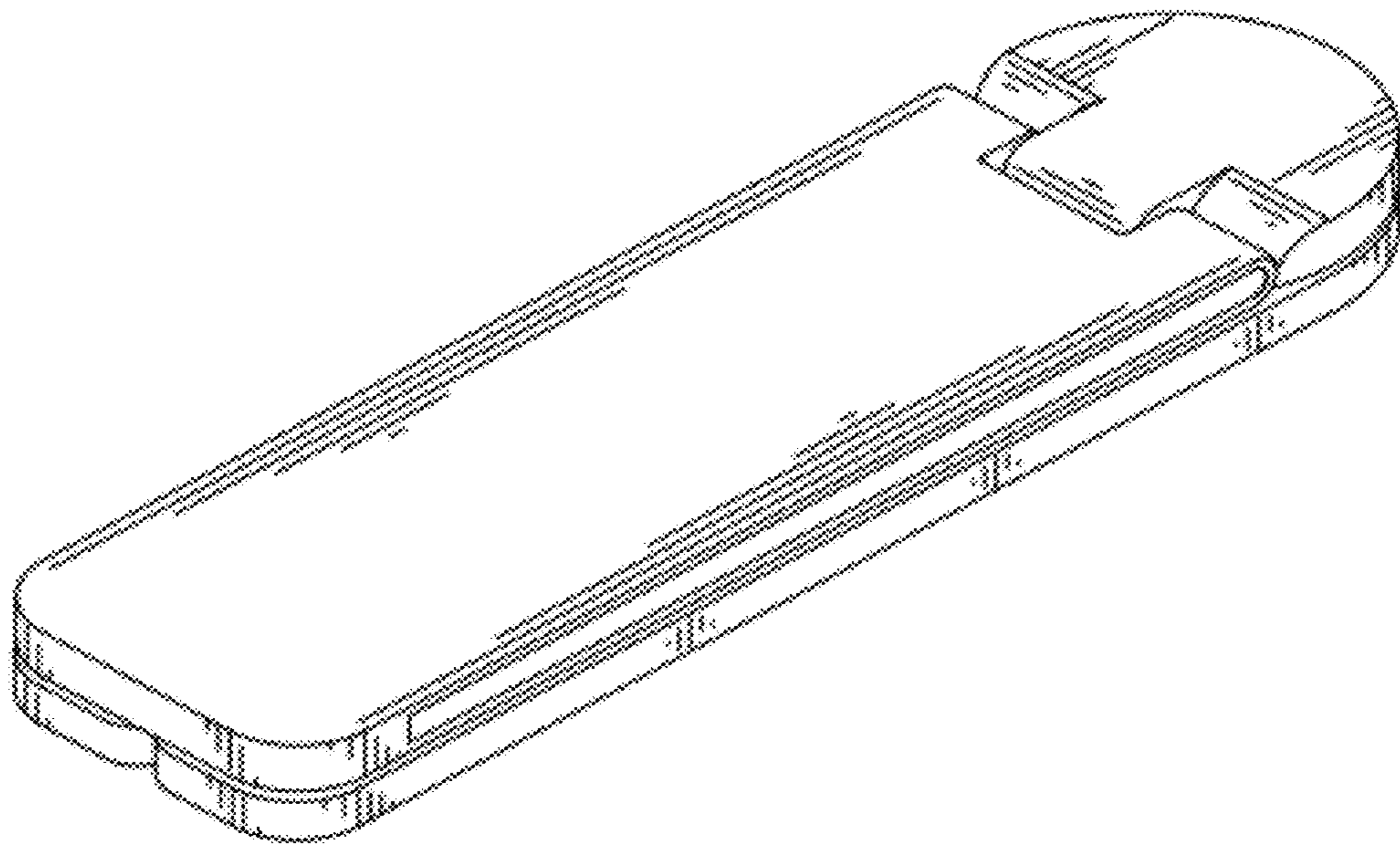


FIG. 8