



US00D658185S

(12) **United States Design Patent**  
**Aoki**

(10) **Patent No.:** **US D658,185 S**  
(45) **Date of Patent:** **\*\* Apr. 24, 2012**

- (54) **MEMORY CARD ADAPTER**
- (75) Inventor: **Yoshitaka Aoki**, Tokyo (JP)
- (73) Assignee: **Sony Corporation**, Tokyo (JP)
- (\*\*) Term: **14 Years**
- (21) Appl. No.: **29/371,692**
- (22) Filed: **Jul. 18, 2011**

**Related U.S. Application Data**

- (63) Continuation of application No. 29/356,575, filed on Feb. 26, 2010, now Pat. No. Des. 642,578.

(30) **Foreign Application Priority Data**

Sep. 30, 2009 (CN) ..... 2009 3 0237165  
 Sep. 30, 2009 (CN) ..... 2009 3 0237166

- (51) **LOC (9) Cl.** ..... **14-02**
- (52) **U.S. Cl.** ..... **D14/436**

- (58) **Field of Classification Search** ..... D14/435-438, D14/478-483, 474, 475, 335, 496, 125, 188, D14/192, 204, 217, 265, 433, 432, 242; 235/441, 235/443, 487, 492, 493, 495, 486, 451, 479, 235/453; 361/737, 679, 752, 736, 728, 796, 361/797, 729, 730, 725-727, 740, 747, 759, 361/801, 816, 738, 766, 799, 807, 829; 257/678, 257/679, 693, E23.064; 439/946, 948, 159, 439/628, 638, 630, 267, 260, 945, 95, 140, 439/101, 67, 76.1, 108, 147, 148; 174/250, 174/260, 52.1, 52.2, 35 R, 51; 710/300-303, 710/62, 74; 438/121; D21/332, 333; 455/344-351; 369/1, 4, 6-12; 381/119, 120; 700/94; 345/156, 345/184; 312/233.2; 206/706, 701; 360/129, 360/132, 133, 135; D13/182  
 See application file for complete search history.

(56) **References Cited**

**U.S. PATENT DOCUMENTS**

D188,104 S 6/1960 Brogden  
 D248,470 S 7/1978 Talesfore

D252,753 S 8/1979 Thompson et al.  
 D257,345 S 10/1980 Levy  
 D263,469 S 3/1982 Lee  
 D274,731 S 7/1984 Girardi et al.  
 D275,095 S 8/1984 Fang  
 D276,503 S \* 11/1984 Mansau ..... D9/430  
 D299,475 S 1/1989 Munnik  
 D304,448 S 11/1989 De La Cruz et al.  
 D305,886 S 2/1990 Banjo et al.  
 D311,391 S 10/1990 Ueshin et al.  
 D315,903 S 4/1991 Nakauma  
 D333,464 S 2/1993 Yoshida  
 5,184,282 A \* 2/1993 Kaneda et al. .... 361/737  
 D345,705 S 4/1994 Nesbitt et al.  
 D350,115 S 8/1994 Iftikar et al.  
 5,339,222 A \* 8/1994 Simmons et al. .... 361/818  
 5,361,061 A 11/1994 Mays et al.

(Continued)

*Primary Examiner* — Susan Moon Lee

(74) *Attorney, Agent, or Firm* — Rader, Fishman & Grauer PLLC

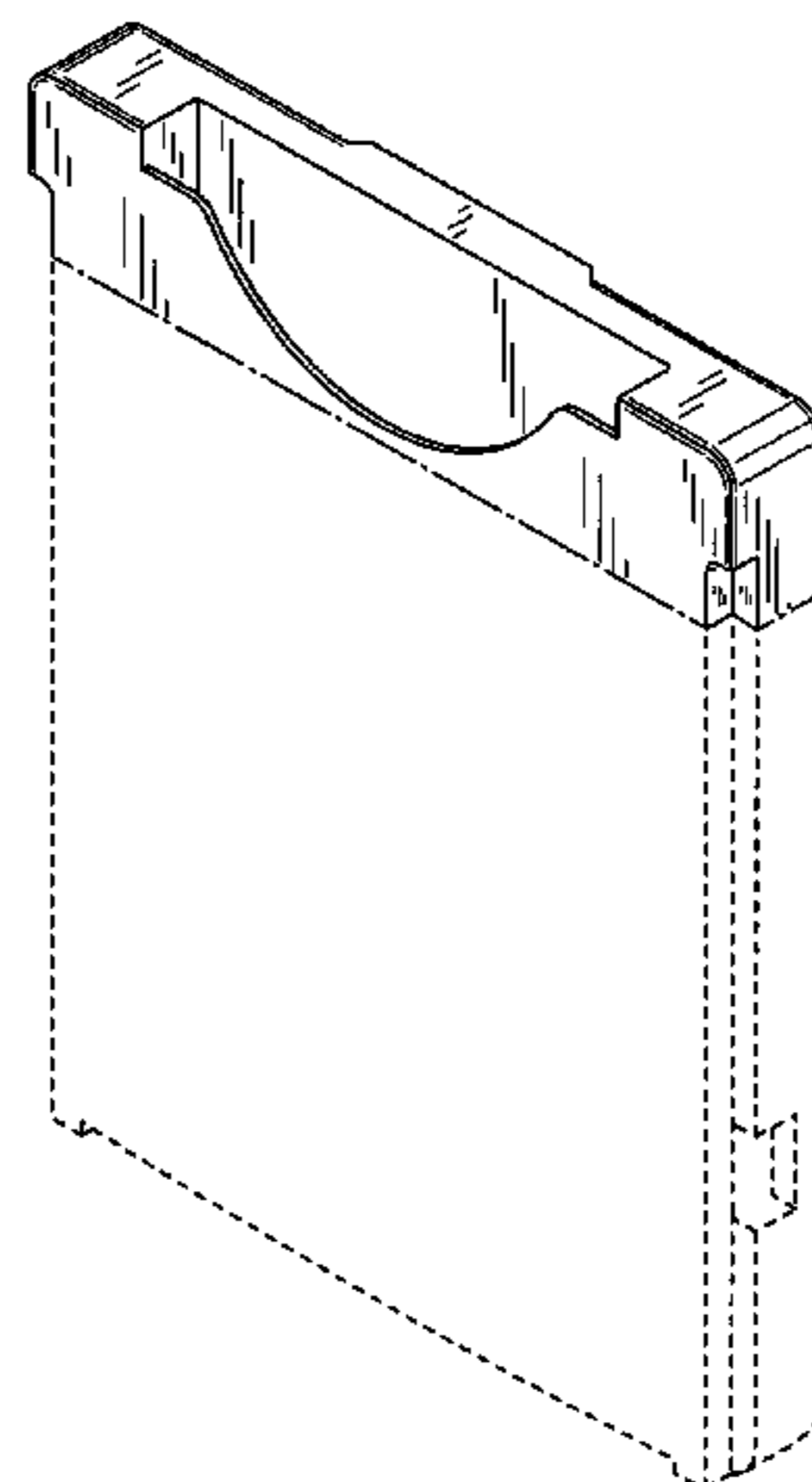
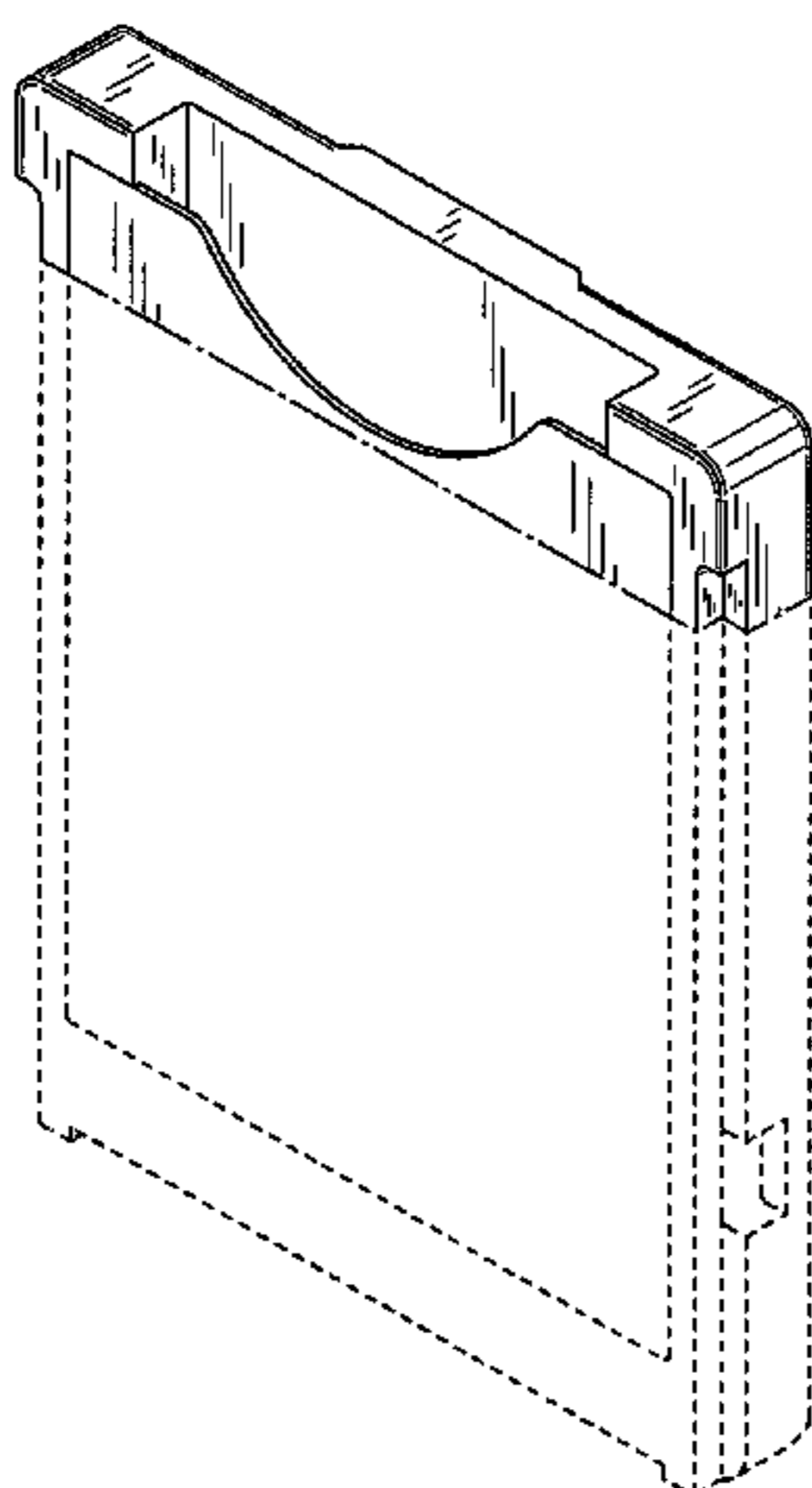
(57) **CLAIM**

The ornamental design for a memory card adapter, as shown and described.

**DESCRIPTION**

FIG. 1 is a perspective view of a first embodiment of a memory card adapter showing my new design;  
 FIG. 2 is a front elevational view thereof;  
 FIG. 3 is a rear elevational view thereof;  
 FIG. 4 is a left side elevational view thereof;  
 FIG. 5 is a right side elevational view thereof;  
 FIG. 6 is a top plan view thereof; and  
 FIG. 7 is a bottom plan view thereof.  
 FIG. 8 is a perspective view of a second embodiment of a memory card adapter showing my new design;  
 FIG. 9 is a front elevational view thereof;  
 FIG. 10 is a rear elevational view thereof;  
 FIG. 11 is a left side elevational view thereof;  
 FIG. 12 is a right side elevational view thereof;  
 FIG. 13 is a top plan view thereof; and,  
 FIG. 14 is a bottom plan view thereof.  
 Portions in broken lines are for illustrative purposes only and form no part of claimed design. Dot-dash broken lines define boundaries of, but are not included in, the claimed design.

**1 Claim, 10 Drawing Sheets**



# US D658,185 S

Page 2

U.S. PATENT DOCUMENTS								
D355,894	S	2/1995	Yeomans	6,443,361	B1 *	9/2002	Klatt et al.	235/486
5,402,095	A	3/1995	Janniere	6,457,647	B1 *	10/2002	Kurihashi et al.	235/486
5,477,426	A *	12/1995	Bethurum	6,460,772	B1 *	10/2002	Stahl	235/486
5,502,620	A	3/1996	Funck et al.	D466,119	S *	11/2002	Funahashi et al.	D14/384
5,546,278	A	8/1996	Bethurum	6,518,927	B2 *	2/2003	Schremmer et al.	343/702
5,547,397	A *	8/1996	Hirai	6,524,137	B1	2/2003	Liu et al.	
5,563,771	A	10/1996	Bethurum	6,527,188	B1	3/2003	Shobara et al.	
5,574,628	A *	11/1996	Persia et al.	6,540,560	B1	4/2003	Ito et al.	
D376,133	S	12/1996	Kerklaan	D474,473	S	5/2003	Fischer et al.	
D378,085	S	2/1997	Kerklaan et al.	6,590,779	B2 *	7/2003	Ohki	361/737
D379,350	S *	5/1997	Kerklaan	6,611,424	B2	8/2003	Huang	
D382,868	S	8/1997	Ashida	6,612,492	B1 *	9/2003	Yen	235/451
5,653,596	A	8/1997	Banakis et al.	6,628,524	B1	9/2003	Washino et al.	
5,660,568	A *	8/1997	Moshayedi	6,632,097	B2	10/2003	Chang	
5,673,181	A	9/1997	Hsu	6,639,563	B1 *	10/2003	Gu	343/702
5,674,080	A *	10/1997	Takemura	6,655,972	B2	12/2003	Sato	
5,681,002	A	10/1997	Kikuchi	6,669,095	B2	12/2003	Kiryu et al.	
D386,475	S *	11/1997	Hiramatsu	D485,840	S *	1/2004	Yokoyama	D14/385
5,716,221	A	2/1998	Kantner	D486,830	S	2/2004	Kadonaga	
D392,630	S	3/1998	Fussell	6,699,053	B2	3/2004	Kuroda	
5,726,867	A	3/1998	Zarrei	6,705,878	B2	3/2004	Liang	
5,739,500	A	4/1998	Van Beers	D490,085	S *	5/2004	Porter et al.	D14/481
5,739,515	A *	4/1998	Takemura	D492,687	S	7/2004	Yu et al.	
5,747,735	A	5/1998	Chang et al.	6,761,313	B2 *	7/2004	Hsieh et al.	235/451
5,752,857	A	5/1998	Knights	6,762,725	B2 *	7/2004	Beard et al.	343/702
5,768,110	A	6/1998	Frommer et al.	D495,335	S	8/2004	Masamitsu et al.	
5,780,827	A *	7/1998	Zolkos et al.	6,774,469	B2 *	8/2004	Utsumi	257/679
RE35,873	E	8/1998	Simmons et al.	6,783,399	B2	8/2004	Joung	
5,833,473	A	11/1998	Betker et al.	6,786,415	B2	9/2004	Yiu	
5,839,907	A	11/1998	Kuo	D498,760	S	11/2004	Chiang et al.	
5,846,092	A *	12/1998	Feldman et al.	6,817,523	B2 *	11/2004	Chen et al.	235/441
5,861,602	A	1/1999	Cox et al.	6,832,920	B2	12/2004	Glad et al.	
5,863,212	A *	1/1999	Duesterhoeft	D503,172	S	3/2005	Izumi	
5,868,338	A	2/1999	Martin et al.	D503,691	S	4/2005	Standing et al.	
5,877,488	A *	3/1999	Klatt et al.	D506,200	S *	6/2005	Shih	D14/433
5,879,170	A	3/1999	Nogami	6,915,956	B2 *	7/2005	Liu et al.	235/492
5,886,402	A *	3/1999	Onoda et al.	6,928,302	B1	8/2005	Kinney et al.	
5,896,274	A	4/1999	Ishida	7,008,240	B1 *	3/2006	Wang et al.	439/76.1
D410,908	S *	6/1999	Oba	7,012,804	B2	3/2006	Yokote et al.	
D410,916	S *	6/1999	Oba	7,033,221	B2	4/2006	Bricaud et al.	
5,940,275	A	8/1999	Laity	D522,068	S	5/2006	Man-tat	
5,955,722	A *	9/1999	Kurz et al.	7,051,931	B2 *	5/2006	Sowa et al.	235/441
D416,885	S	11/1999	Hirai et al.	D523,859	S	6/2006	Deckers	
D416,886	S	11/1999	Hirai et al.	D523,860	S *	6/2006	Xu et al.	D14/436
6,008,994	A *	12/1999	Bates	7,059,913	B1 *	6/2006	Chen	439/638
D418,692	S *	1/2000	Funawatari et al.	7,094,106	B2 *	8/2006	Yamamoto et al.	439/630
6,031,278	A	2/2000	Onoda et al.	7,097,512	B1 *	8/2006	Hsiao et al.	439/630
D421,597	S *	3/2000	Oba et al.	D529,029	S	9/2006	Sekine	
6,050,848	A *	4/2000	Yao	7,106,337	B2	9/2006	Lu	
D425,072	S	5/2000	Dosch et al.	7,108,553	B2 *	9/2006	Zhu et al.	439/607.01
6,069,795	A *	5/2000	Klatt et al.	D530,341	S	10/2006	Maruyama et al.	
6,089,889	A *	7/2000	Chiou et al.	7,118,421	B2 *	10/2006	Kadonaga et al.	439/638
6,097,605	A *	8/2000	Klatt et al.	7,144,276	B1	12/2006	Yang	
D432,505	S *	10/2000	Oba et al.	7,153,165	B2	12/2006	Lai et al.	
6,132,223	A *	10/2000	Seeley et al.	7,162,547	B2 *	1/2007	Hosaka et al.	710/8
6,139,338	A *	10/2000	Hirai et al.	7,182,645	B2 *	2/2007	Shimizu et al.	439/630
D434,042	S	11/2000	Yasufuku et al.	D543,206	S	5/2007	Maruyama et al.	
6,144,563	A	11/2000	Feldman et al.	7,226,318	B1 *	6/2007	Lee	439/630
6,145,748	A *	11/2000	Neifer et al.	7,249,975	B1 *	7/2007	Liu	439/630
6,151,219	A	11/2000	Dye	D551,669	S	9/2007	Kadonaga	
D435,256	S	12/2000	Hibino	7,285,023	B1 *	10/2007	Chang et al.	439/638
6,217,351	B1 *	4/2001	Fung et al.	D556,202	S	11/2007	Kadonaga	
D442,964	S	5/2001	Ohtani	7,309,152	B2	12/2007	Huang	
D444,789	S	7/2001	Obata	7,319,715	B1 *	1/2008	Souissi et al.	375/220
D445,797	S	7/2001	Lee et al.	7,320,622	B2 *	1/2008	Ying et al.	439/630
6,266,017	B1	7/2001	Aldous	D563,430	S	3/2008	Deguchi et al.	
6,272,017	B1 *	8/2001	Klatt et al.	D563,995	S	3/2008	Deguchi et al.	
6,295,031	B1	9/2001	Wallace et al.	D573,997	S *	7/2008	Kim et al.	D14/436
6,313,400	B1	11/2001	Mosquera et al.	D582,419	S *	12/2008	Sheba et al.	D14/480.5
6,315,205	B1 *	11/2001	Bates, III	7,464,213	B2 *	12/2008	Fukuda	710/301
D451,501	S *	12/2001	Sward et al.	7,498,525	B2 *	3/2009	Aoka et al.	174/541
D452,243	S	12/2001	Wallace	D591,752	S	5/2009	Aoki	
6,330,163	B1	12/2001	Bates et al.	D607,885	S *	1/2010	Otani et al.	D14/436
D453,934	S	2/2002	Wallace et al.	D608,743	S	1/2010	Tiner	
D458,610	S	6/2002	Kadonaga	D615,983	S *	5/2010	Aoki	D14/436
6,399,906	B1	6/2002	Sato et al.	7,771,238	B2 *	8/2010	Aoki et al.	439/630
D460,453	S	7/2002	Homma et al.	D627,786	S	11/2010	Hsia	
6,424,542	B1	7/2002	Benson	D632,297	S	2/2011	Berntsen	

# US D658,185 S

Page 3

---

D632,695 S	2/2011	Berntsen		2004/0179345 A1	9/2004	Yokote et al.	
D633,879 S	3/2011	Heng et al.		2005/0020137 A1	1/2005	Tanaka et al.	
D642,578 S *	8/2011	Aoki .....	D14/436	2005/0094364 A1	5/2005	Chang et al.	
2001/0043160 A1 *	11/2001	Hirai et al. ....	343/702	2005/0239335 A1 *	10/2005	Kadonaga et al. ....	439/638
2002/0032813 A1 *	3/2002	Hosaka et al. ....	710/62	2009/0061688 A1 *	3/2009	Aoki et al. ....	439/628
2003/0011978 A1	1/2003	Moore		2009/0063743 A1 *	3/2009	Aoki et al. ....	710/302
2003/0054694 A1	3/2003	Takamori et al.		2010/0068937 A1 *	3/2010	Chen .....	439/628
2003/0141365 A1 *	7/2003	Sowa et al. ....	235/441	2010/0151737 A1 *	6/2010	Hood et al. ....	439/628
2003/0235040 A1	12/2003	Liu et al.					
2004/0026516 A1	2/2004	Liu et al.					

\* cited by examiner

FIG.1

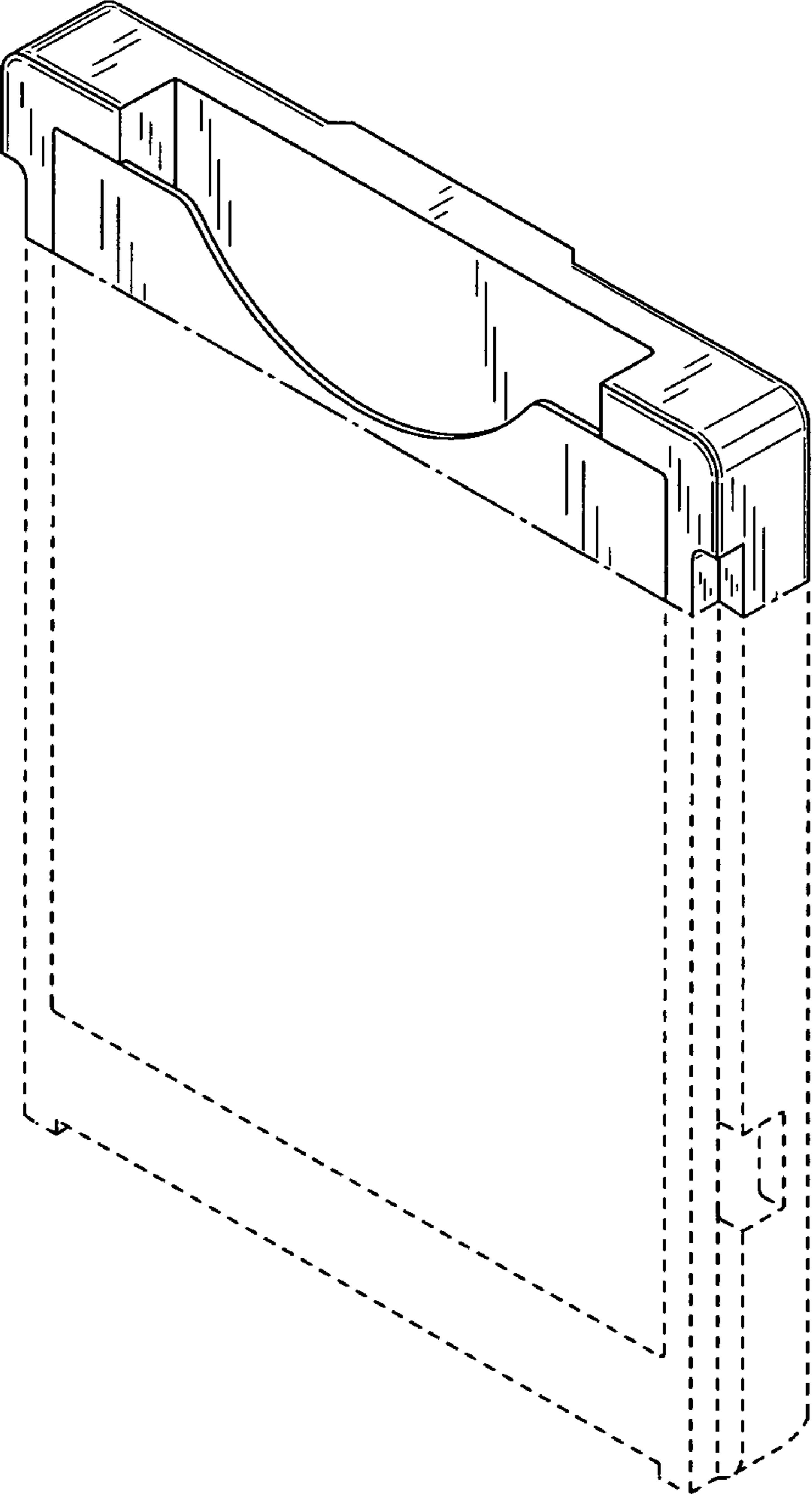


FIG.2

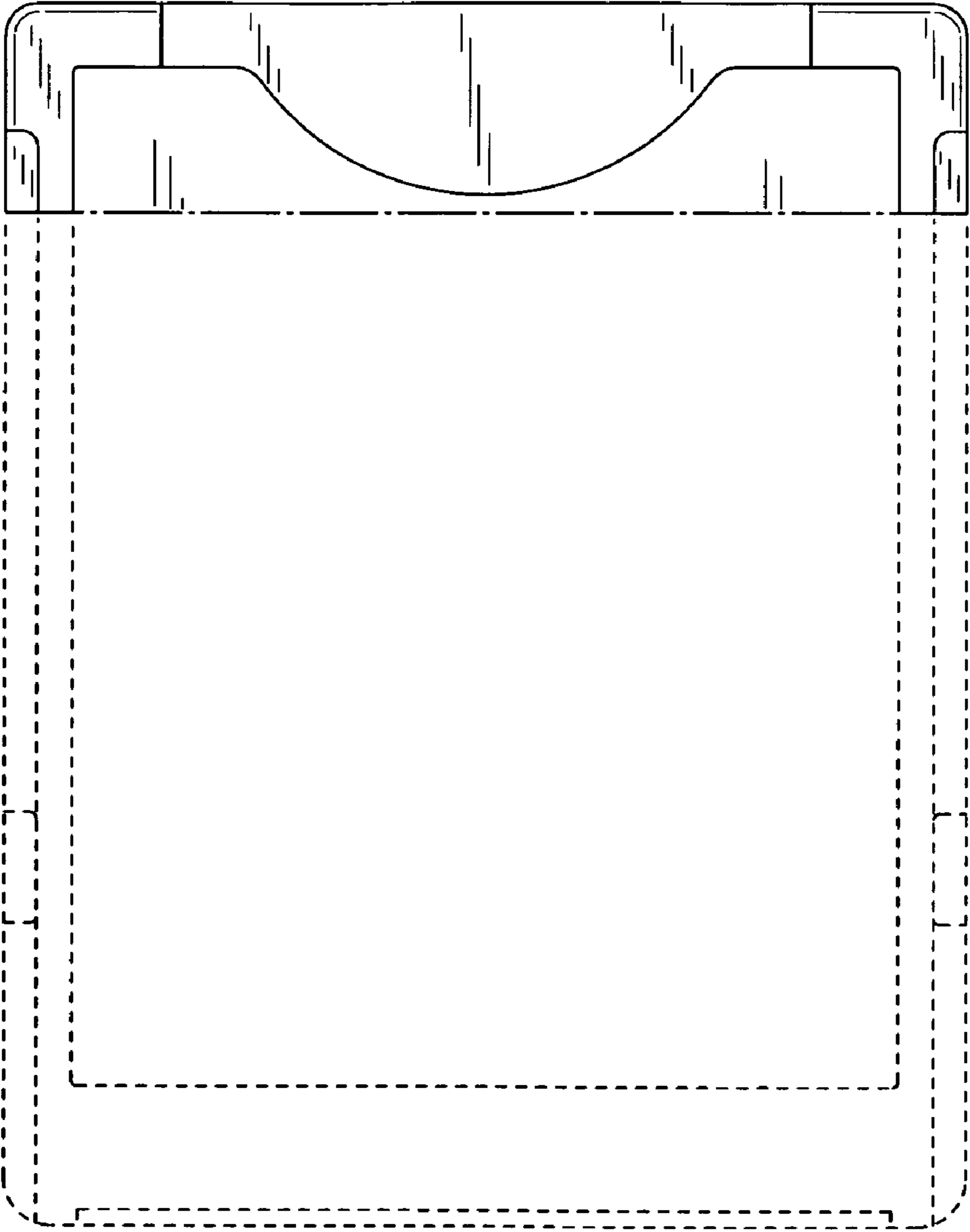


FIG.3

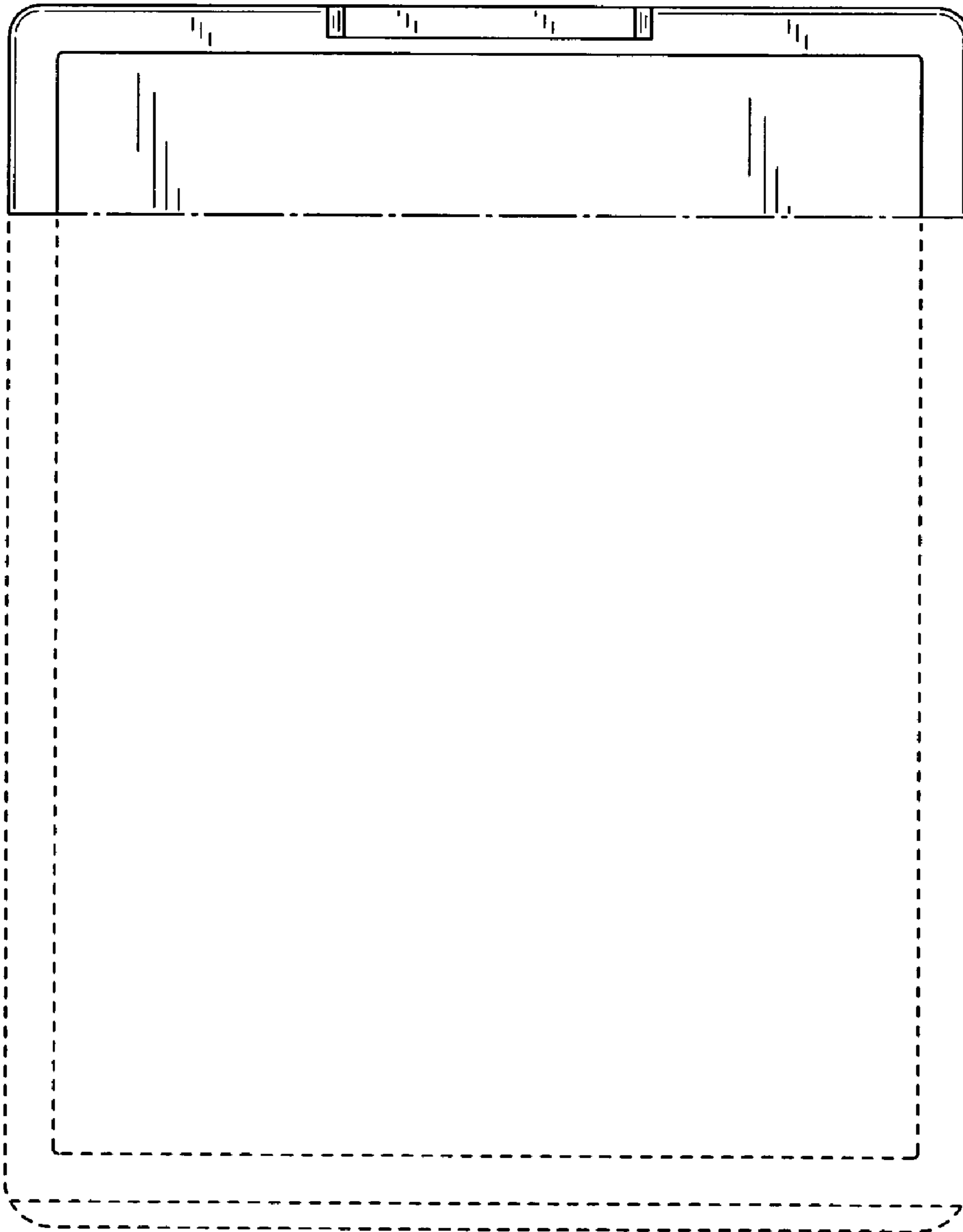


FIG.4

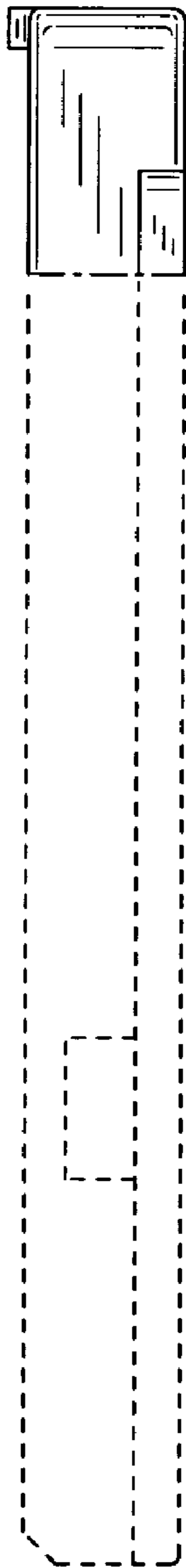


FIG.5

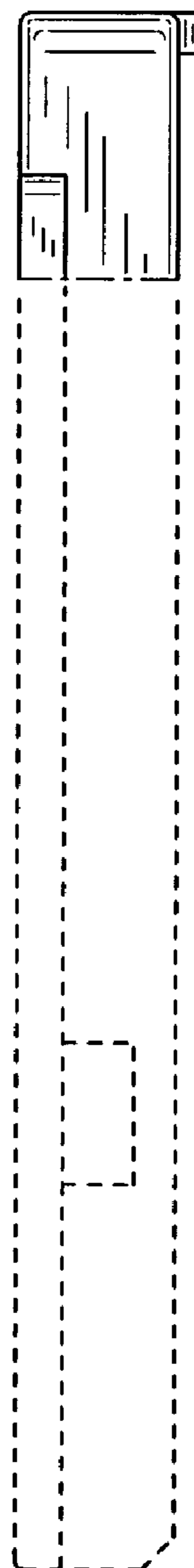


FIG.6

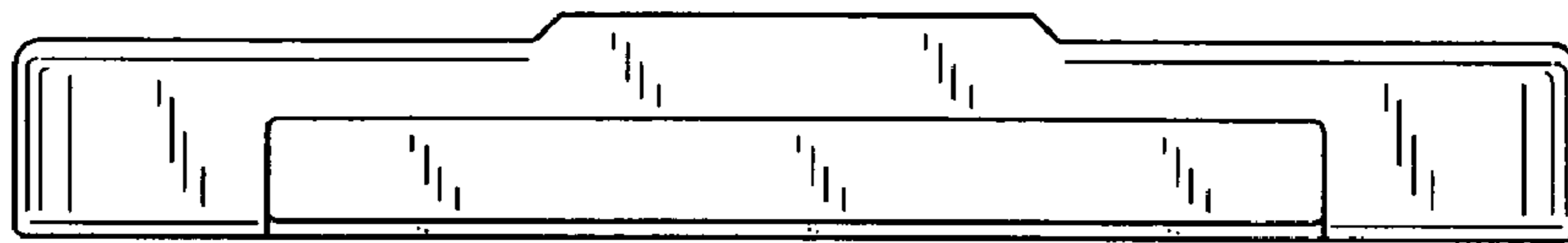


FIG.7

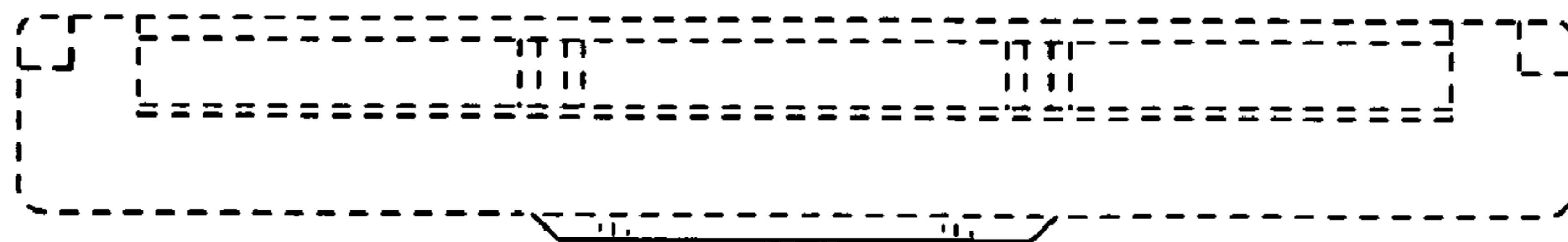




FIG.8

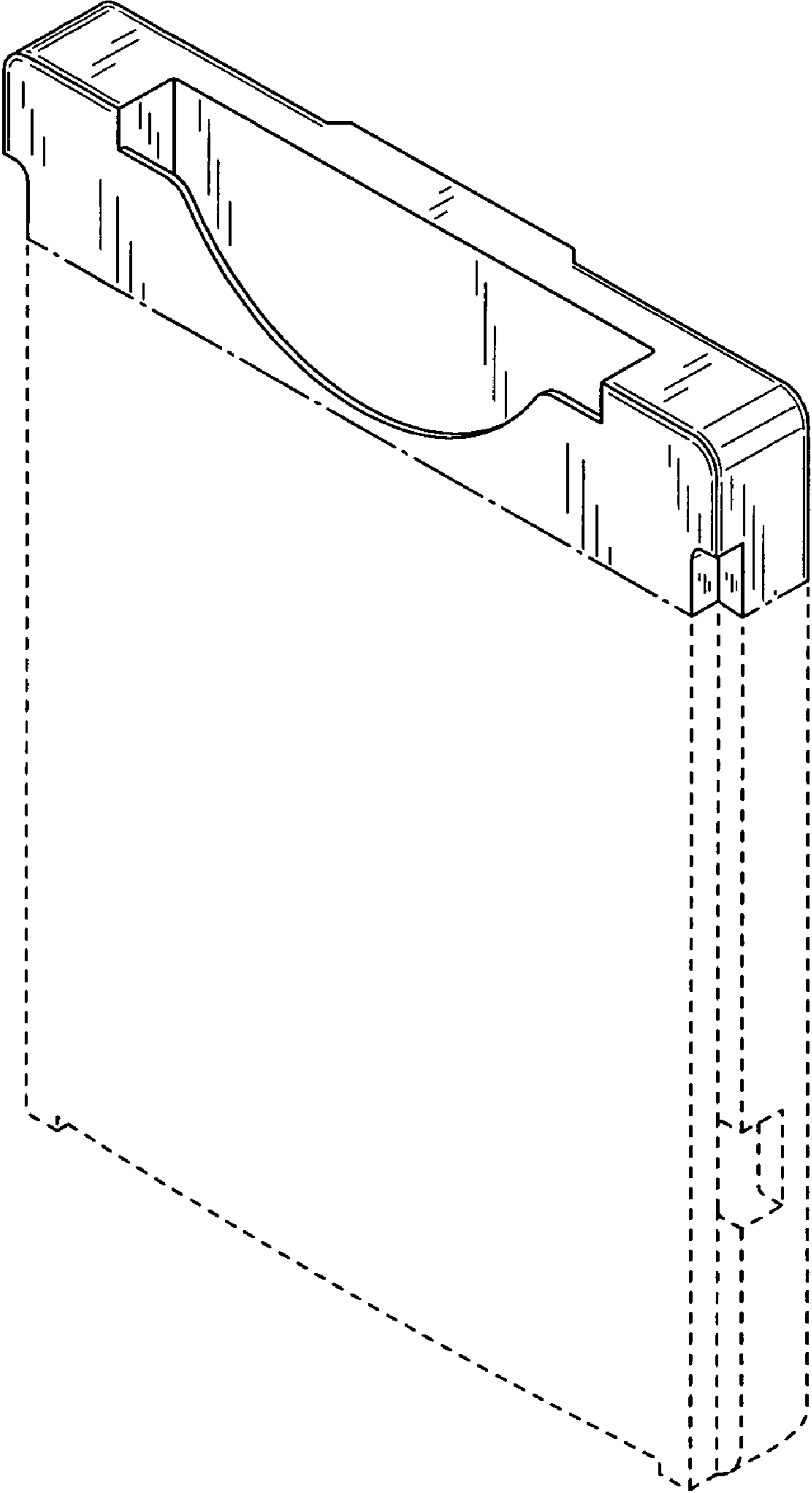


FIG.9

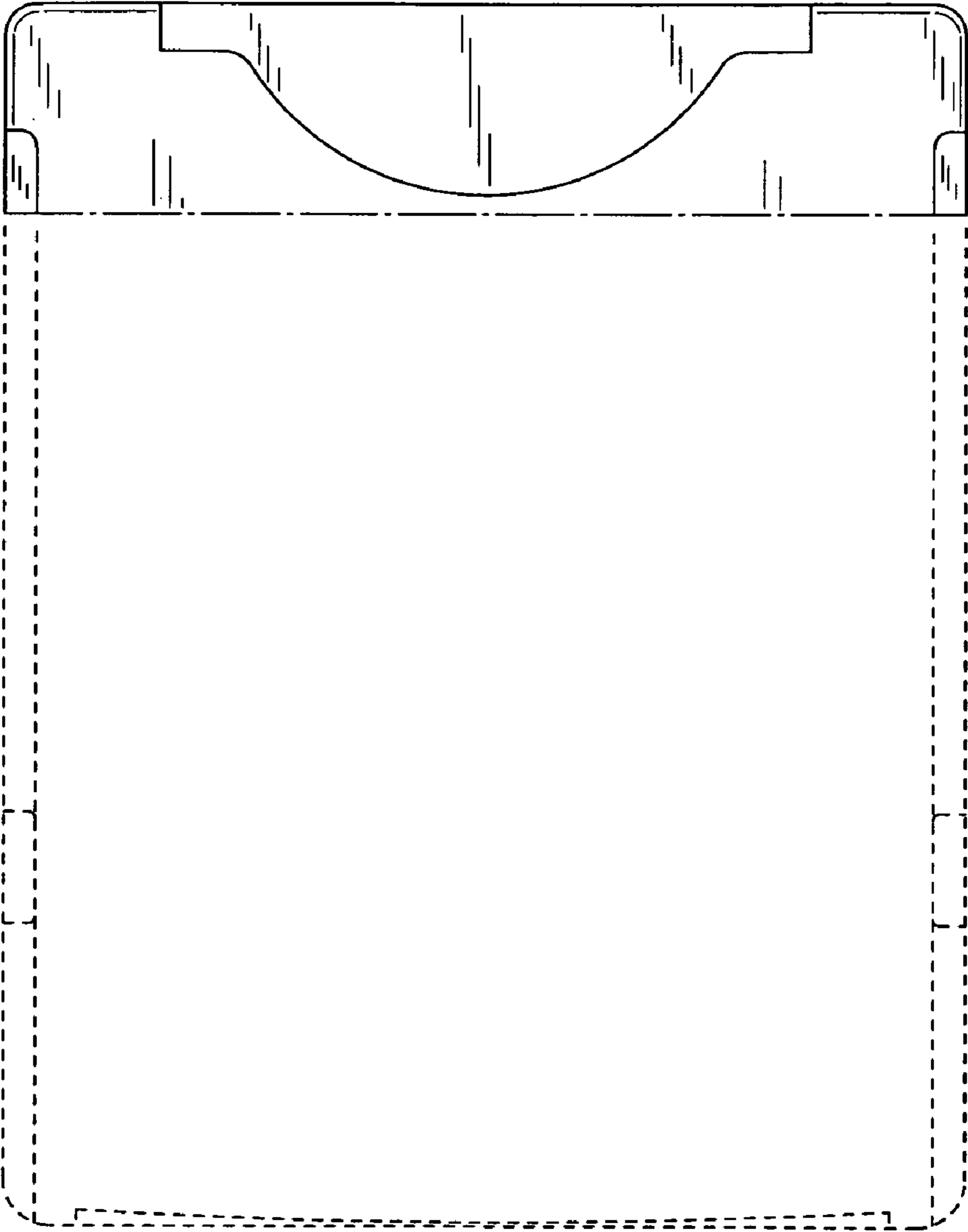


FIG. 10

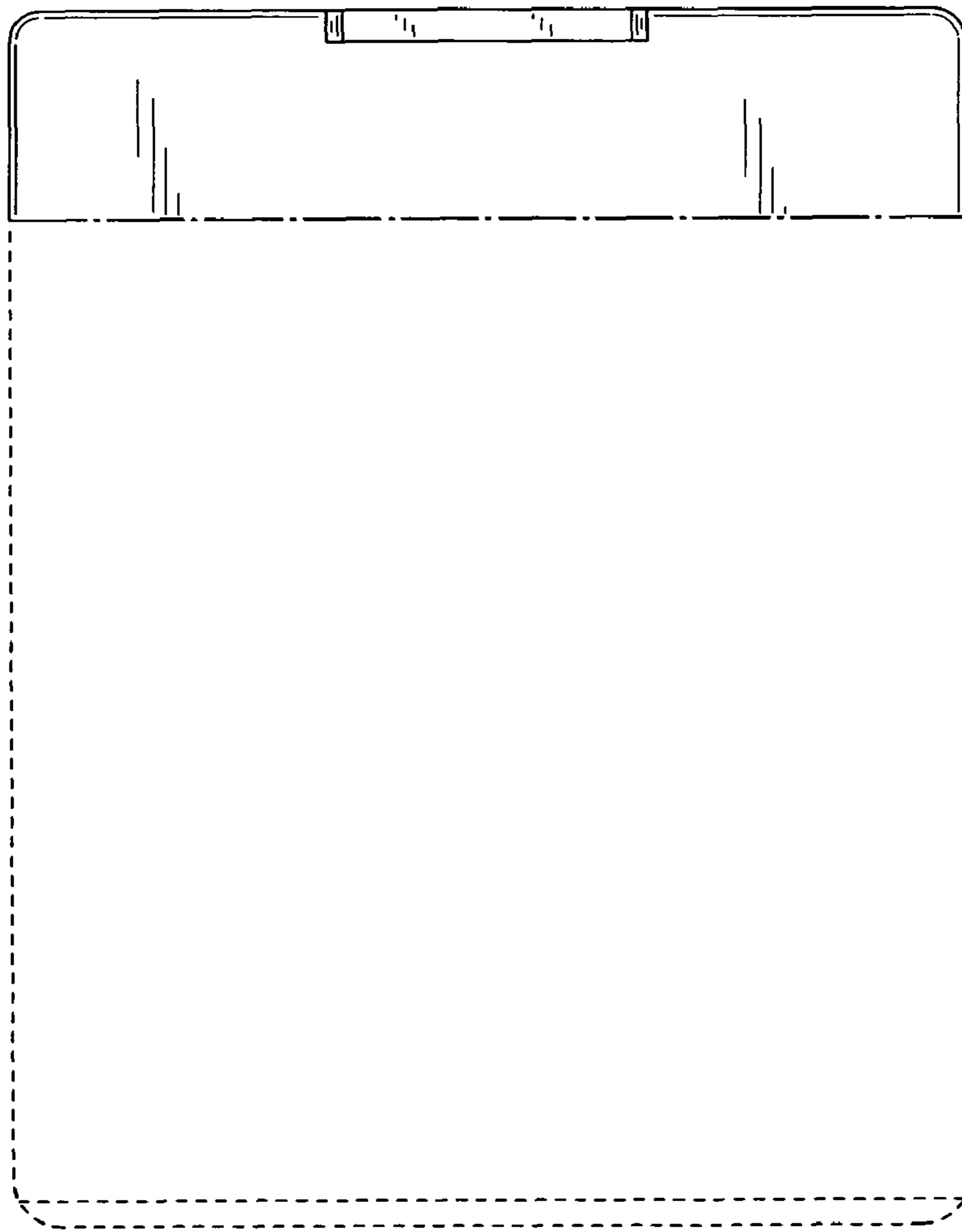


FIG.11

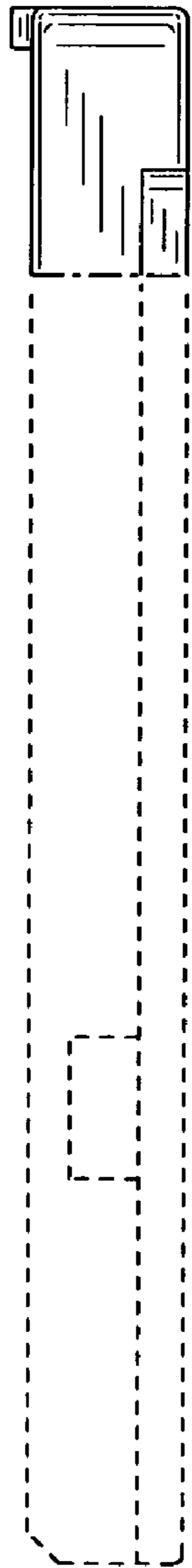


FIG.12

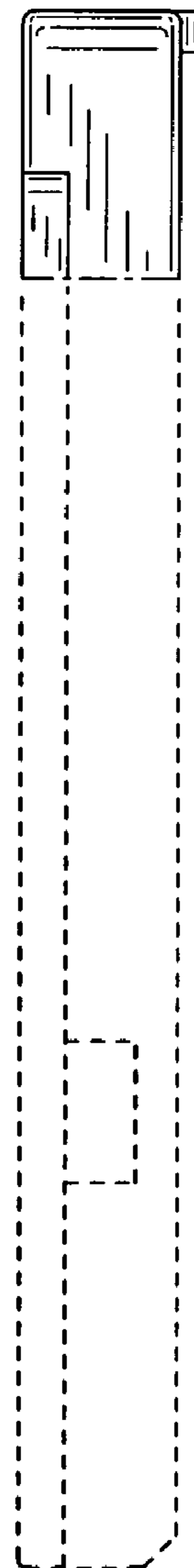


FIG.13



FIG.14

