



US00D658184S

(12) **United States Design Patent**
Chang et al.

(10) **Patent No.:** **US D658,184 S**

(45) **Date of Patent:** **** Apr. 24, 2012**

(54) **CONTROLLING HANDLE**

(75) Inventors: **Chih-Kuang Chang**, Tu-Cheng (TW);
Jun-Song Xu, Shenzhen (CN)

(73) Assignee: **Hon Hai Precision Industry Co., Ltd.**,
Tu-Cheng, New Taipei (TW)

(**) Term: **14 Years**

(21) Appl. No.: **29/394,021**

(22) Filed: **Jun. 13, 2011**

(51) **LOC (9) Cl.** **14-02**

(52) **U.S. Cl.** **D14/413; D21/333**

(58) **Field of Classification Search** D14/412-416,
D14/432, 454; D21/324, 328, 333; 273/148 B;
463/1, 29-35, 46, 47, 43; 345/156-161;
74/471 XY, 523

See application file for complete search history.

(56) **References Cited**

U.S. PATENT DOCUMENTS

4,501,424	A *	2/1985	Stone et al.	273/148 B
D334,415	S *	3/1993	Carter et al.	D14/401
5,213,327	A *	5/1993	Kitae	463/38
5,451,053	A *	9/1995	Garrido	463/38
D373,149	S *	8/1996	Kawasaki	D14/401
D387,094	S *	12/1997	Muraki et al.	D14/400

D393,291	S *	4/1998	Kung	D14/401
5,786,807	A *	7/1998	Couch et al.	345/161
6,068,554	A *	5/2000	Tyler	463/38
6,835,135	B1 *	12/2004	Silverbrook et al.	463/30
D508,052	S *	8/2005	Kit et al.	D14/413
D550,673	S *	9/2007	Wong	D14/413
7,532,199	B2 *	5/2009	Kubo et al.	345/161

* cited by examiner

Primary Examiner — Prabhakar Deshmukh

(74) *Attorney, Agent, or Firm* — Altis Law Group, Inc.

(57) **CLAIM**

The ornamental design for a controlling handle, as shown and described.

DESCRIPTION

FIG. 1 is a perspective view of a controlling handle showing our new design;

FIG. 2 is a front elevational view thereof;

FIG. 3 is a rear elevational view thereof;

FIG. 4 is a left side elevational view thereof;

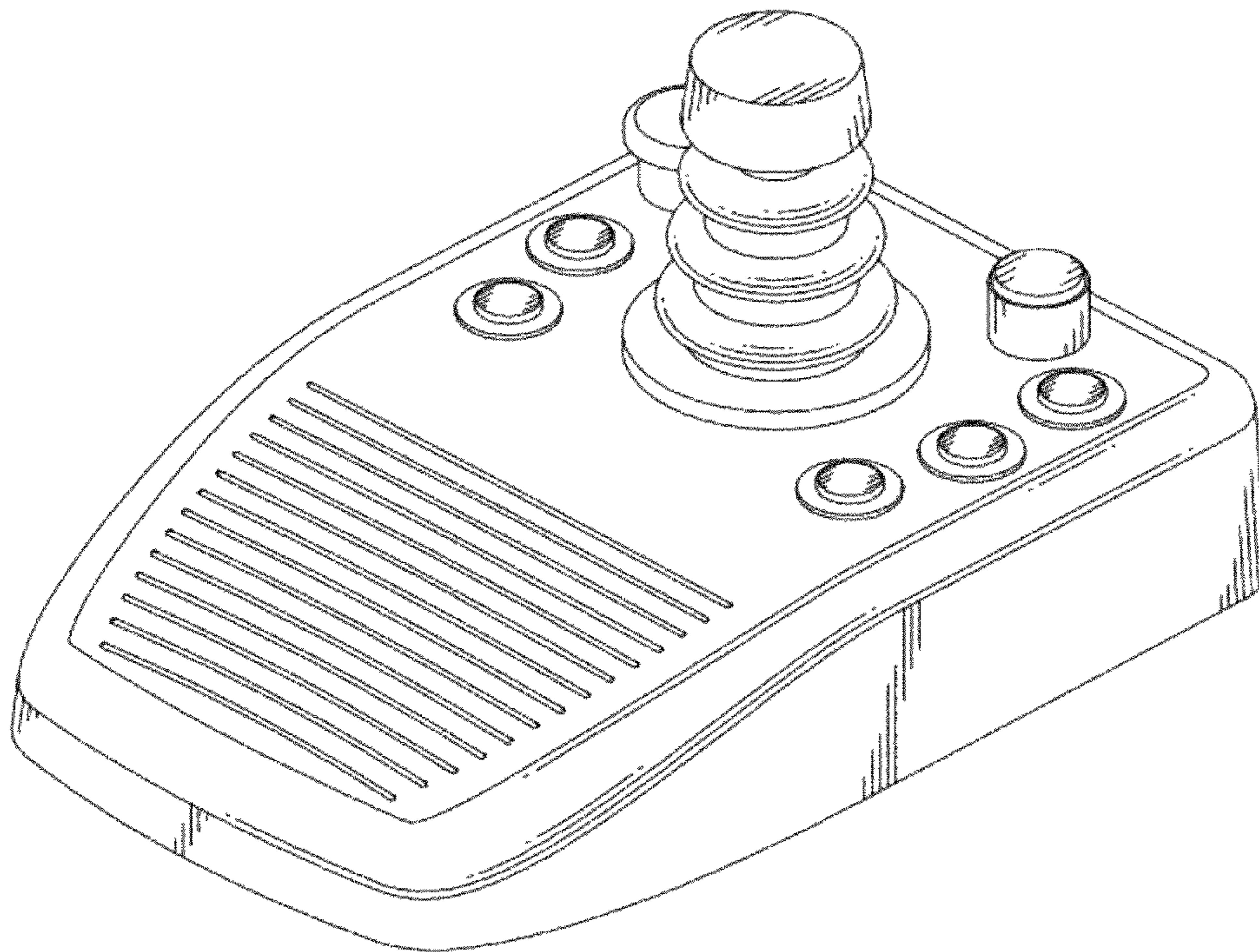
FIG. 5 is a right side elevational view thereof;

FIG. 6 is a top plan view thereof; and,

FIG. 7 is a bottom plan view thereof.

The broken lines of all the figures are for the purpose of illustrating environment and forms no part of the claimed design.

1 Claim, 7 Drawing Sheets



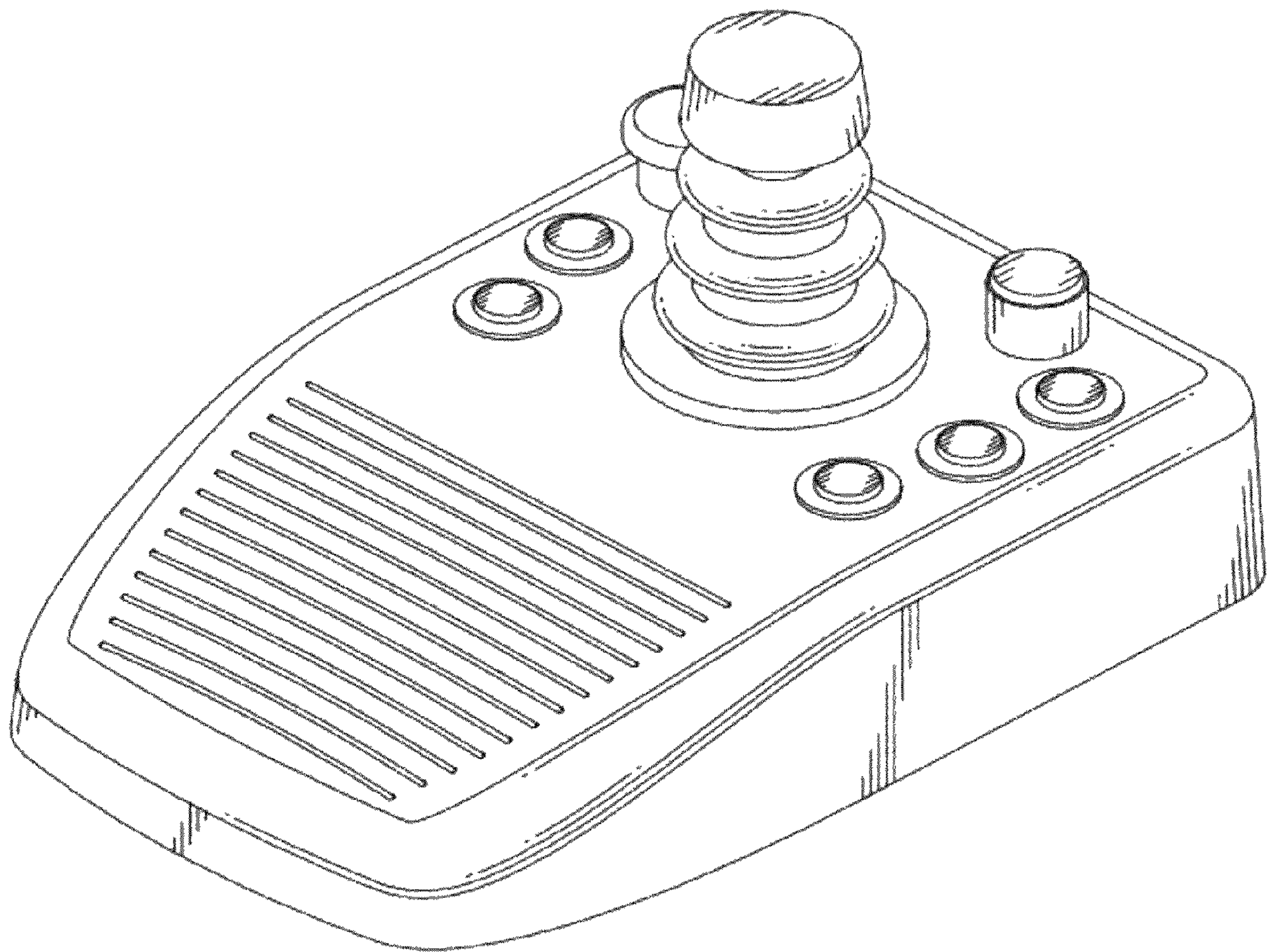


FIG. 1

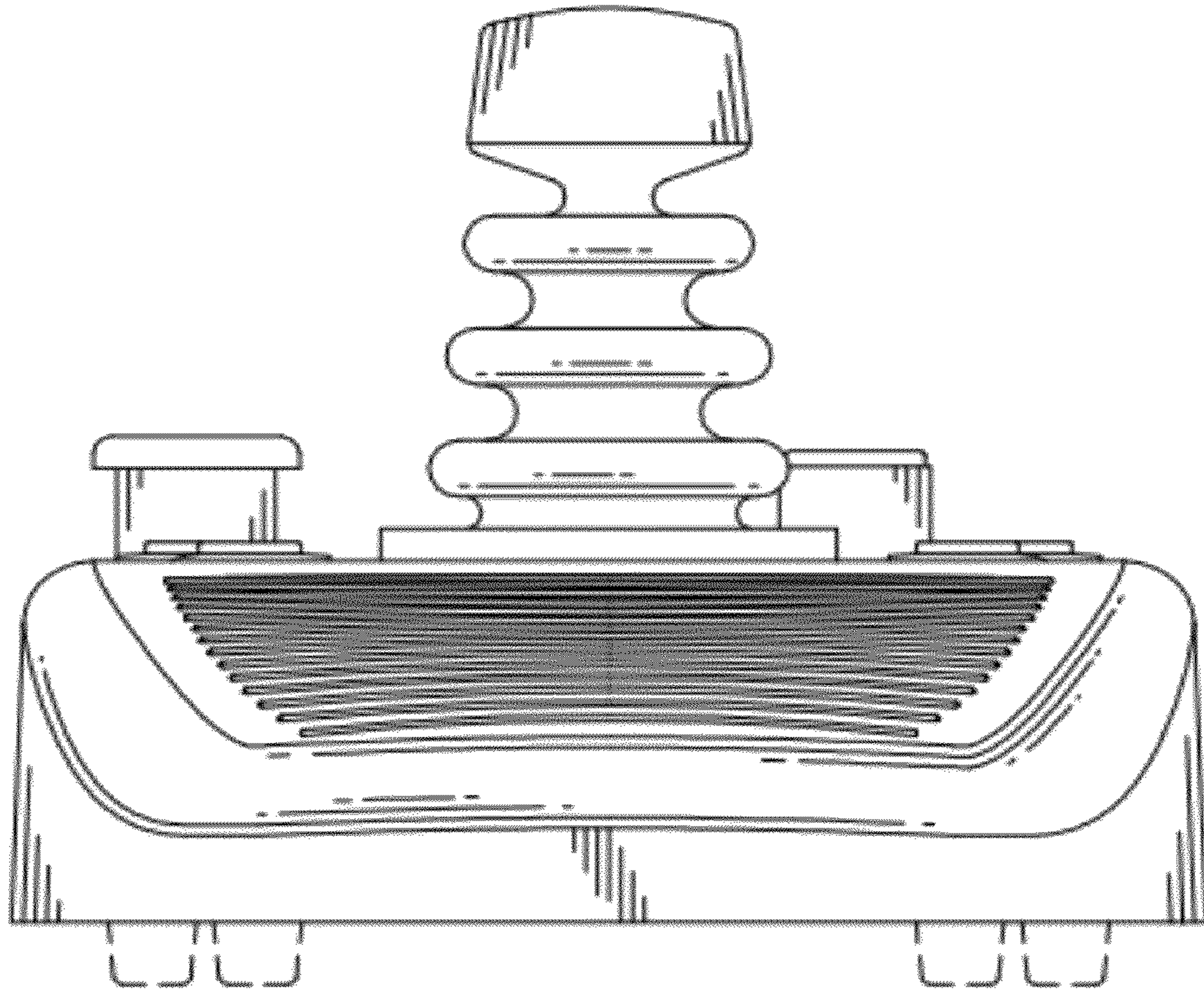


FIG. 2

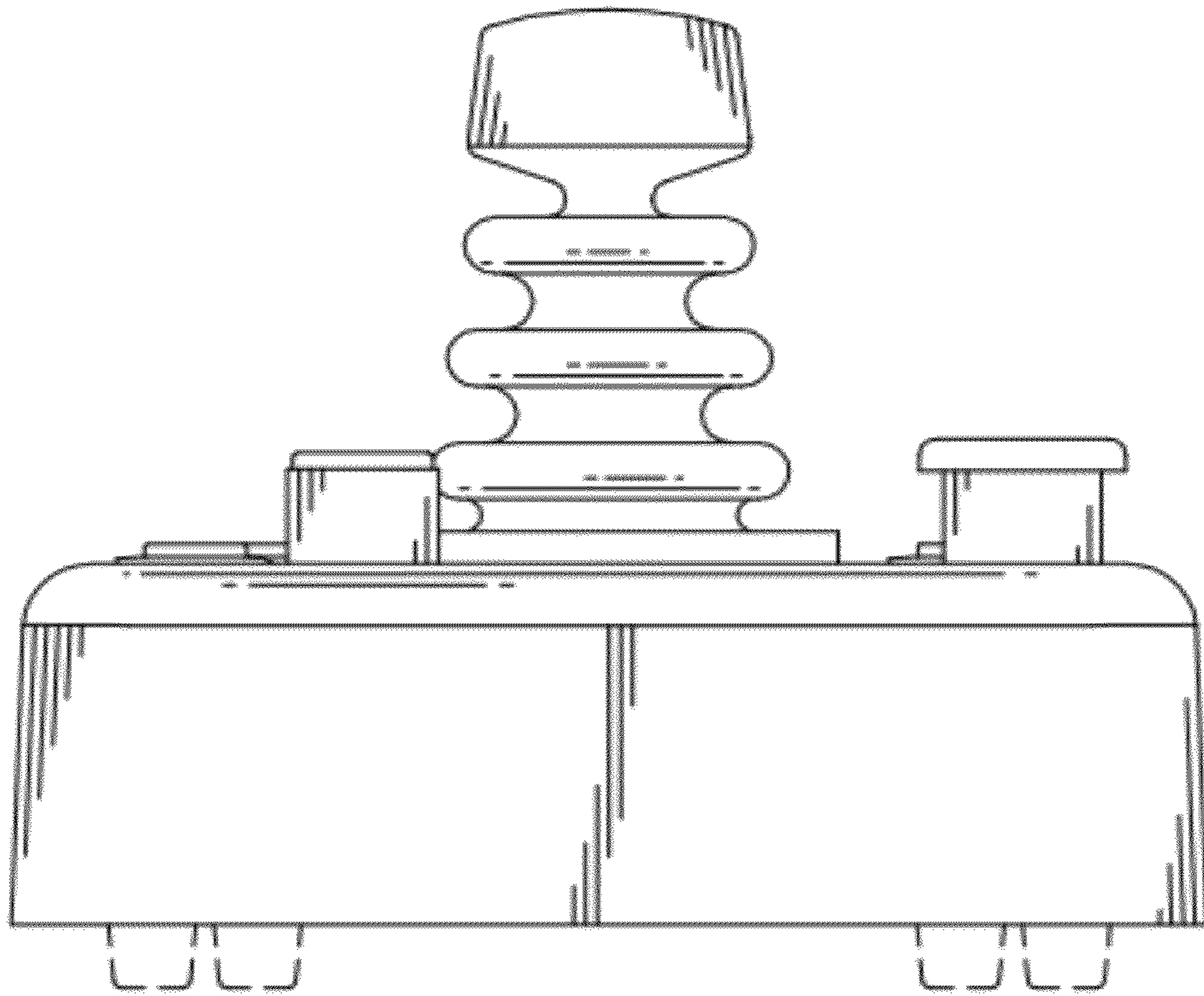


FIG. 3

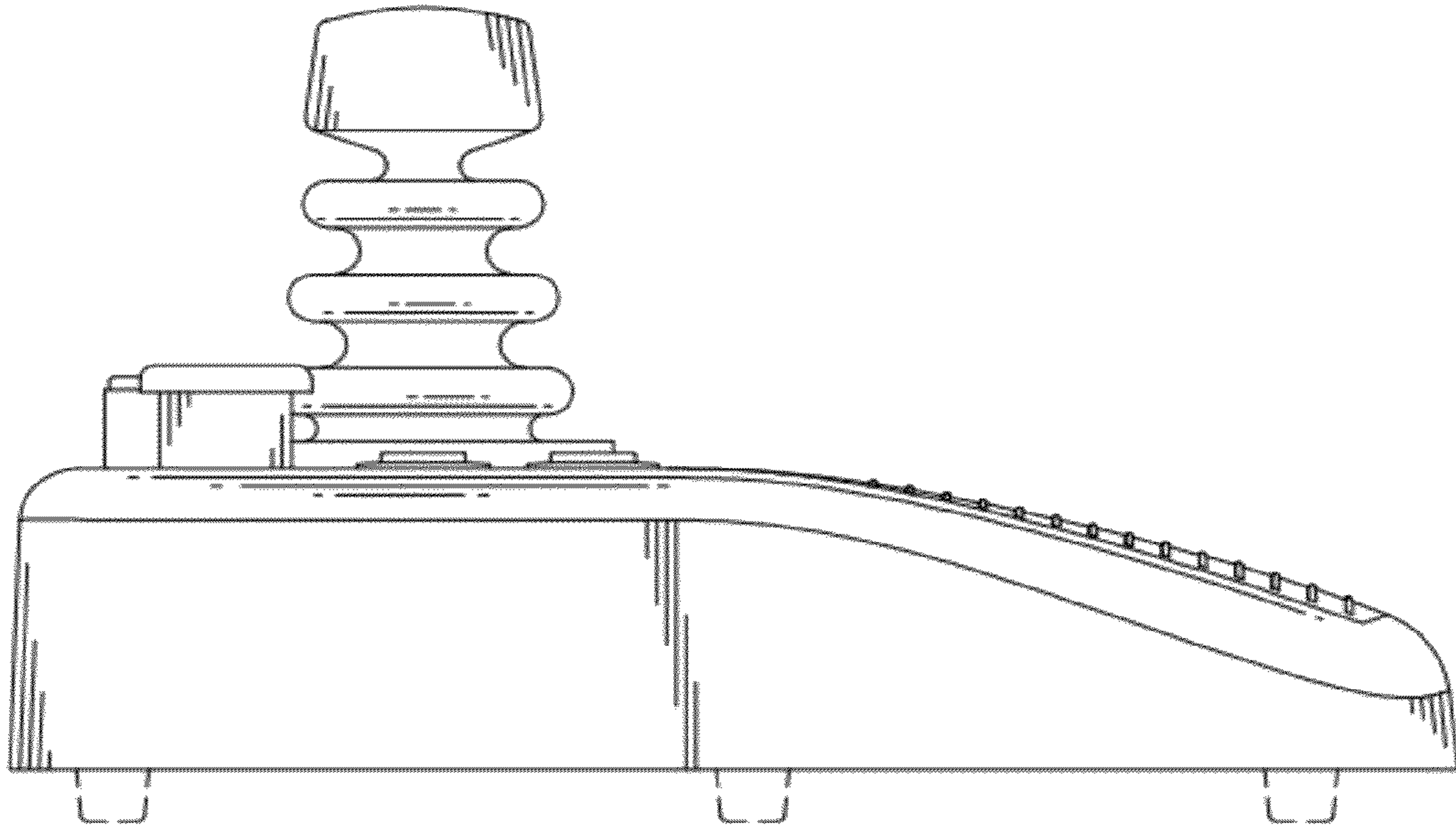


FIG. 4

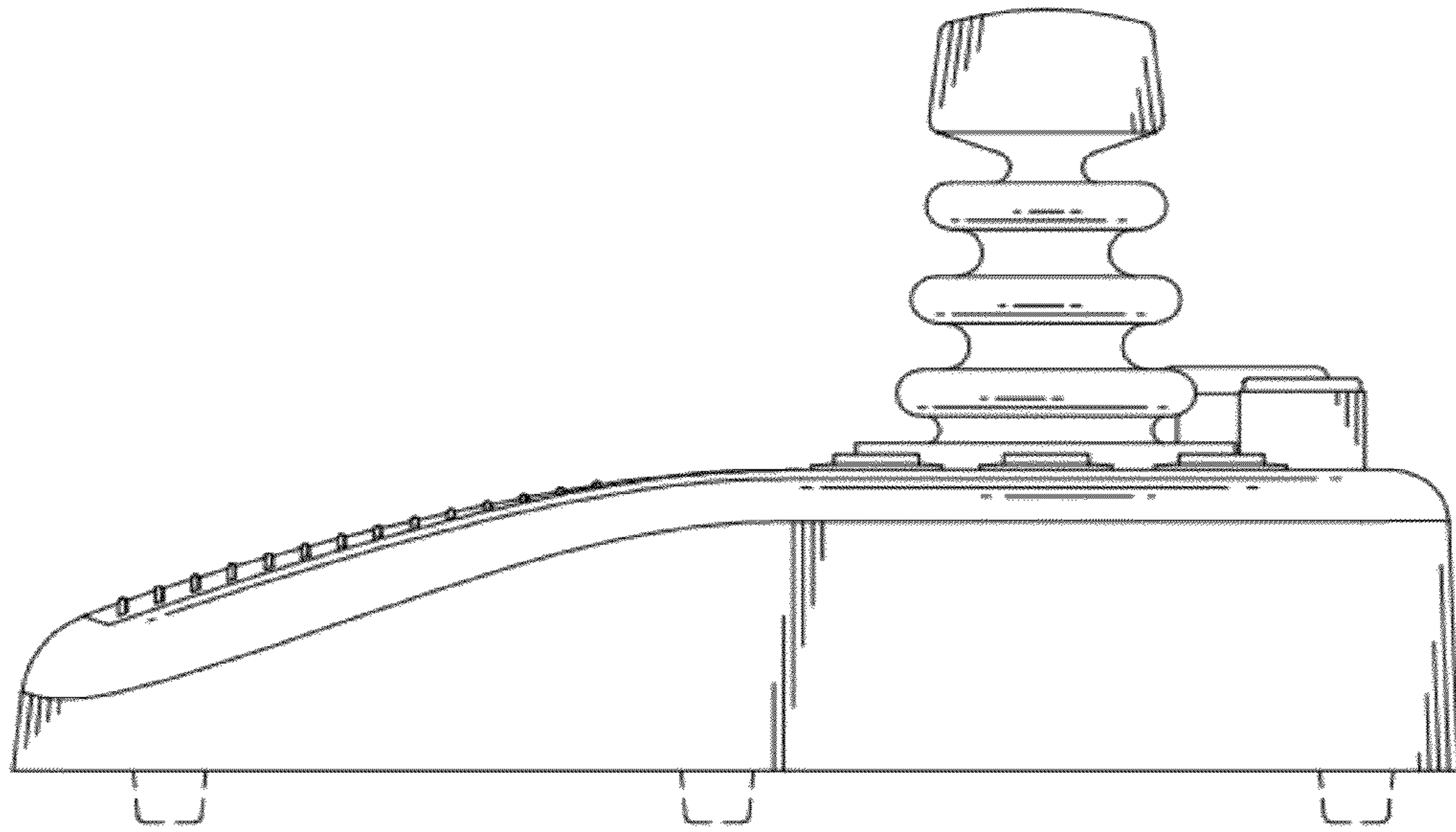


FIG. 5

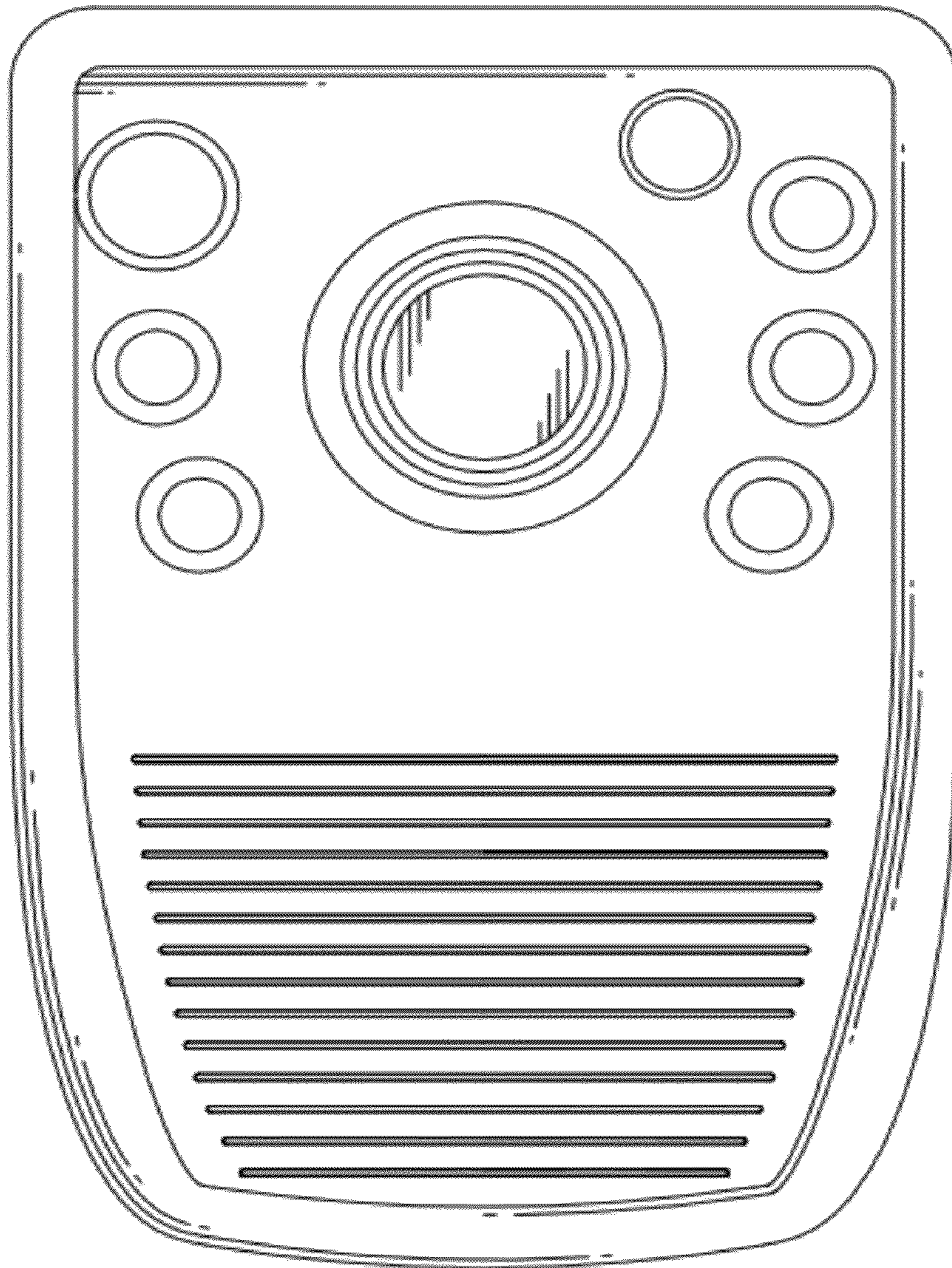


FIG. 6

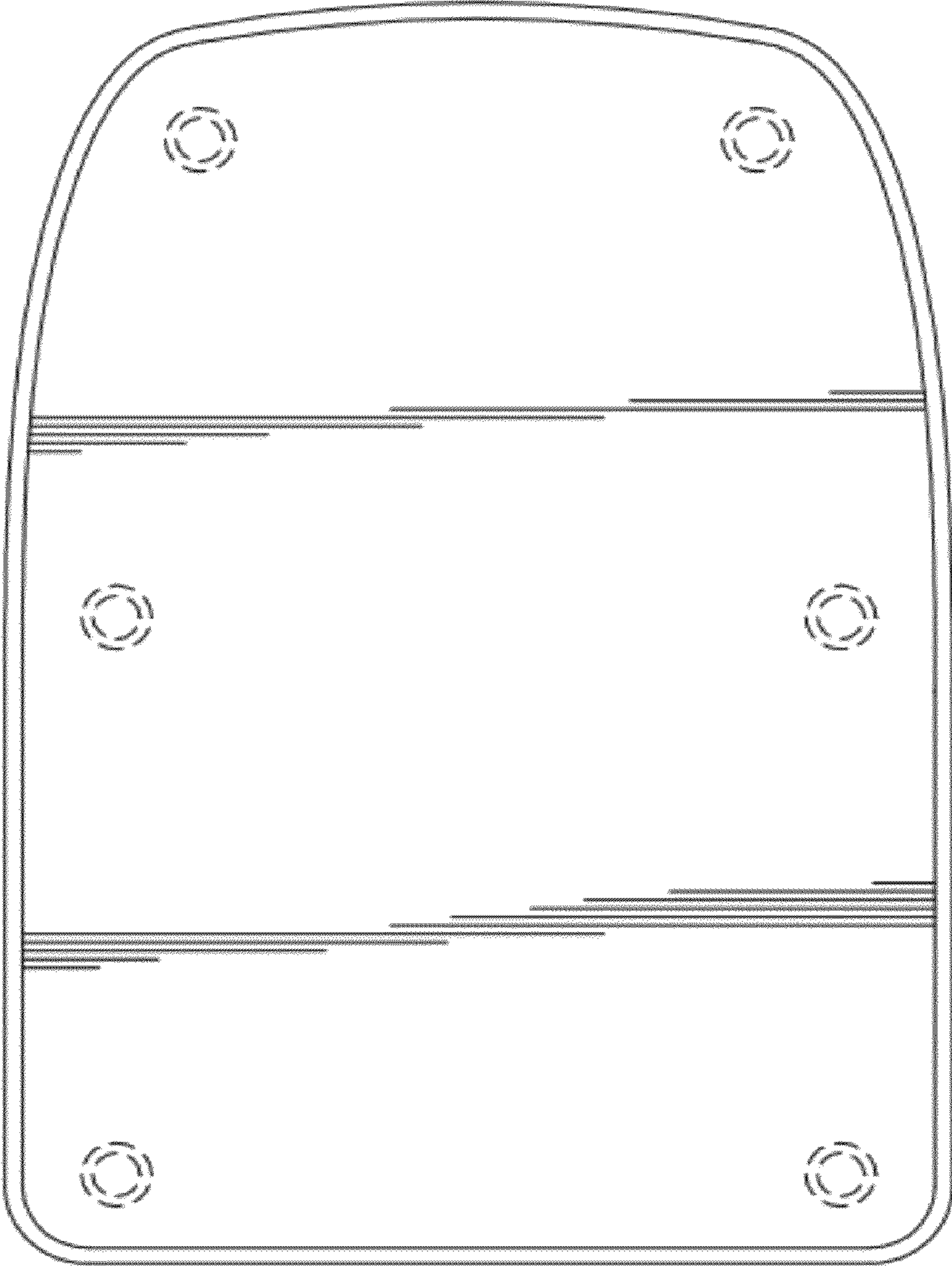


FIG. 7