



US00D658179S

(12) **United States Design Patent**  
**Ikeda et al.**

(10) **Patent No.:** **US D658,179 S**  
(45) **Date of Patent:** **\*\* \*Apr. 24, 2012**

(54) **GAME CONTROLLER WITH  
MULTI-POSITIONAL STATE CONTROLLER  
ELEMENT**

(75) Inventors: **John Ikeda**, Seattle, WA (US); **Carl L. Ledbetter**, Mercer Island, WA (US); **Peter Bristol**, Redmond, WA (US)

(73) Assignee: **Microsoft Corporation**, Redmond, WA (US)

(\*) Notice: This patent is subject to a terminal disclaimer.

(\*\*) Term: **14 Years**

(21) Appl. No.: **29/368,839**

(22) Filed: **Aug. 30, 2010**

(51) **LOC (9) Cl.** ..... **14-02**

(52) **U.S. Cl.** ..... **D14/401; D21/333; D14/454**

(58) **Field of Classification Search** ..... D14/217,  
D14/218, 356, 388, 399-401, 412-416, 432,  
D14/434, 454-457, 496; D21/324, 332,  
D21/333; 463/1, 30, 36-38, 46, 47; 345/156-161,  
345/905

See application file for complete search history.

(56) **References Cited**

**U.S. PATENT DOCUMENTS**

D348,083 S 6/1994 Smith, III et al.

(Continued)

**OTHER PUBLICATIONS**

Xbox 360 Wireless Controller, 1 color sheet, Microsoft, 2005.

(Continued)

*Primary Examiner* — Stella Reid

*Assistant Examiner* — Keli L Hill

(74) *Attorney, Agent, or Firm* — Banner & Witcoff, Ltd.

(57) **CLAIM**

The ornamental design for a game controller with multi-positional state controller element, as shown and described.

**DESCRIPTION**

FIG. 1 is a front perspective view of a game controller showing our new design with a controller element in a first positional state;

FIG. 2 is a rear perspective view thereof;

FIG. 3 is a top view thereof;

FIG. 4 is a front side view thereof;

FIG. 5 is a rear side view thereof;

FIG. 6 is a left view thereof;

FIG. 7 is a right view thereof;

FIG. 8 is a bottom view thereof;

FIG. 9 is a front perspective view thereof with the controller element in a second positional state;

FIG. 10 is a rear perspective view thereof;

FIG. 11 is a top view thereof;

FIG. 12 is a front side view thereof;

FIG. 13 is a rear side view thereof;

FIG. 14 is a left view thereof;

FIG. 15 is a right view thereof;

FIG. 16 is a bottom view thereof;

FIG. 17 is an enlarged front perspective view of a region of the game controller containing the claimed portion taken from the angle as shown in FIG. 1 in the first positional state;

FIG. 18 is an enlarged rear perspective view of the region of the game controller shown in FIG. 17 taken from the angle as shown in FIG. 2 with the controller element in the first positional state;

FIG. 19 is a top view of the region of the game controller shown in FIG. 17 with the controller element in the first positional state;

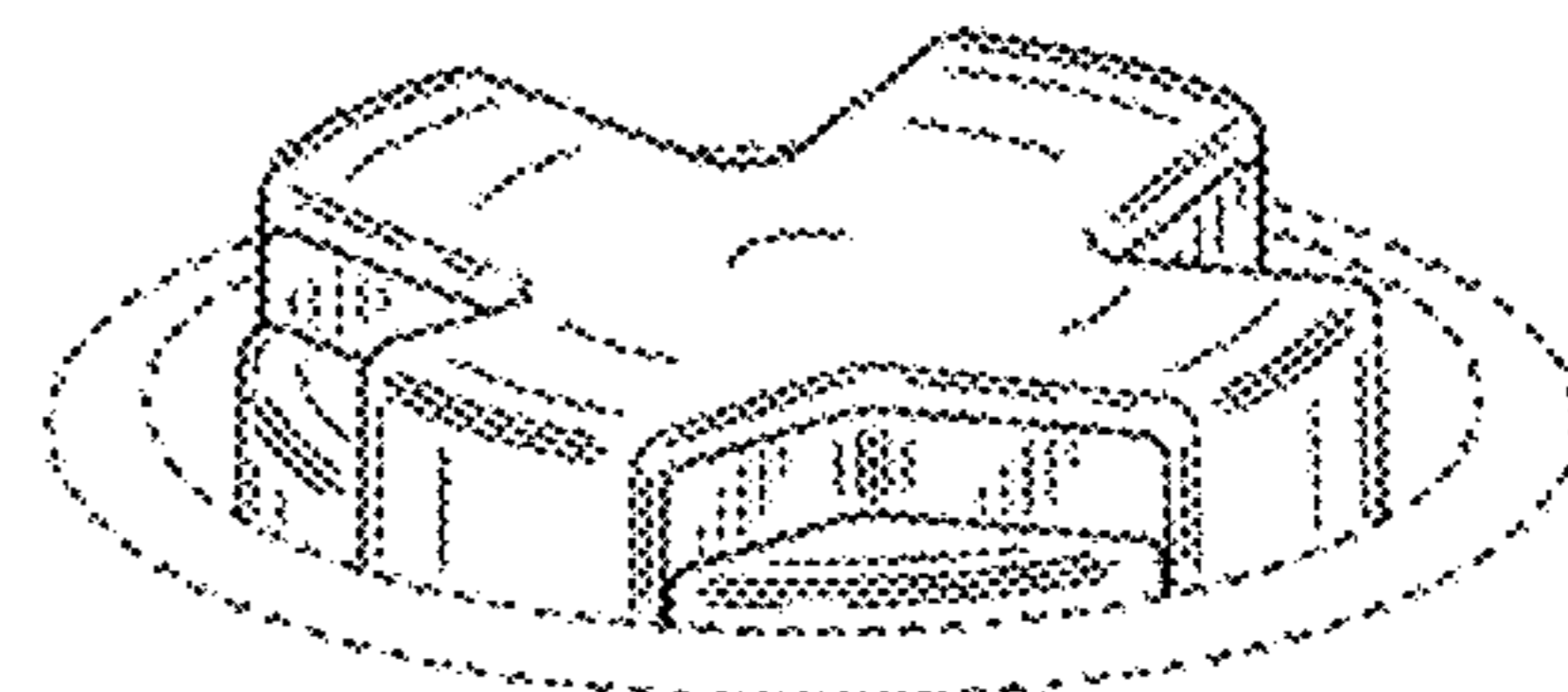
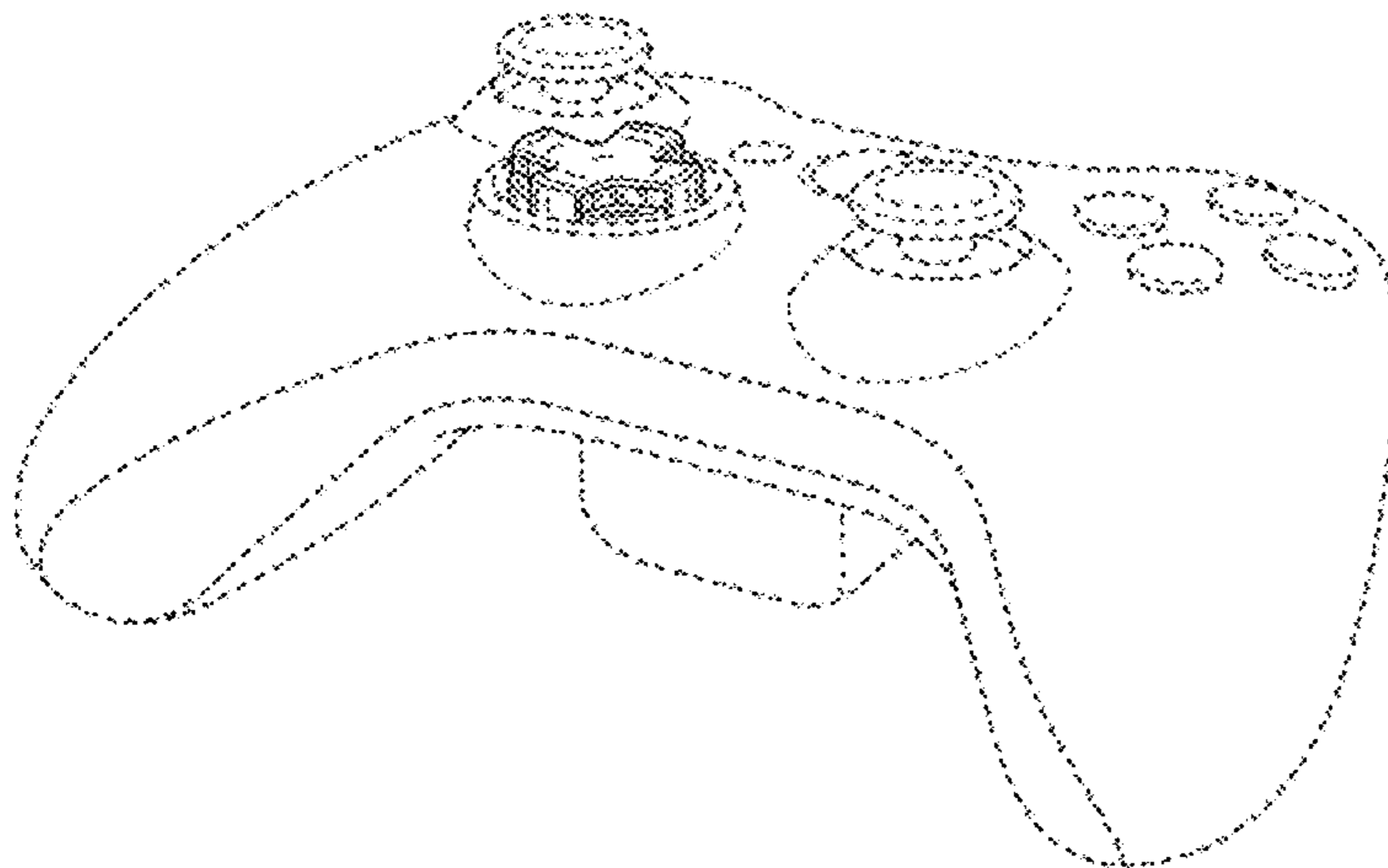
FIG. 20 is an enlarged front perspective view of a region of the game controller containing the claimed portion taken from the angle as shown in FIG. 9 with the controller element in the second positional state;

FIG. 21 is an enlarged rear perspective view of the region of the game controller shown in FIG. 20 taken from the angle as shown in FIG. 10 with the controller element in the second positional state; and,

FIG. 22 is a top view of the region of the game controller shown in FIG. 20 with the controller element in the second positional state.

The broken lines shown are included for the purpose of illustrating the unclaimed portions of the article and form no part of the claim.

**1 Claim, 10 Drawing Sheets**



# US D658,179 S

Page 2

---

## U.S. PATENT DOCUMENTS

D382,916 S 8/1997 Oikawa  
D389,529 S 1/1998 Hayami  
D405,079 S 2/1999 Oikawa  
D408,366 S 4/1999 Popadiuk  
D410,914 S 6/1999 Tyler  
D417,211 S 11/1999 Kaneko et al.  
D420,660 S 2/2000 Chen  
D421,433 S 3/2000 Alviar et al.  
D424,047 S 5/2000 Chan  
D425,047 S 5/2000 Tyler  
D430,852 S 9/2000 Miyashita  
D432,180 S 10/2000 Hayes  
D433,076 S 10/2000 Hayes  
D434,388 S 11/2000 Omata  
D434,389 S 11/2000 Omata  
D435,551 S 12/2000 Hayes  
D440,567 S 4/2001 Wahlgren  
D451,513 S 12/2001 Stewart et al.  
D452,505 S 12/2001 Stewart et al.  
D453,758 S 2/2002 Han et al.  
D453,932 S 2/2002 Han  
D454,878 S 3/2002 Hayes  
D491,183 S 6/2004 Swan  
D514,584 S 2/2006 Summit

D521,015 S 5/2006 Hayes et al.  
D522,011 S 5/2006 Hayes et al.  
D522,012 S 5/2006 Hayes et al.  
D547,643 S 7/2007 Hayes et al.  
D547,763 S 7/2007 Hayes  
D568,409 S 5/2008 Ikeda  
D571,368 S 6/2008 Salter  
D581,422 S 11/2008 Hayes et al.  
D585,451 S 1/2009 DeMaio  
D608,784 S 1/2010 Biheller  
D615,595 S 5/2010 Williamson et al.  
D624,543 S 9/2010 Kettula  
D636,773 S 4/2011 Lin

## OTHER PUBLICATIONS

Preliminary Notice of Reasons for Refusal, JP Design Application No. 2011-00457, Dispatch Date Aug. 5, 2011, with cited image. Logitech Cordless Rumblepad 2 Controller (2 images), which is believed to have been on sale prior to 2010, and which is believed to be the controller cited in the Preliminary Notice of Reasons for Refusal submitted herewith. Gear Patrol.com; Dougherty, Ethan; "Xbox 360 Controller with Twist-Up D-Pad"; <http://gearpatrol.com/blog/2010/09/01/xbox-360-controller-wit-twist-up-d-pad/>; dated Sep. 1, 2010; accessed May 23, 2011; 5 pages.

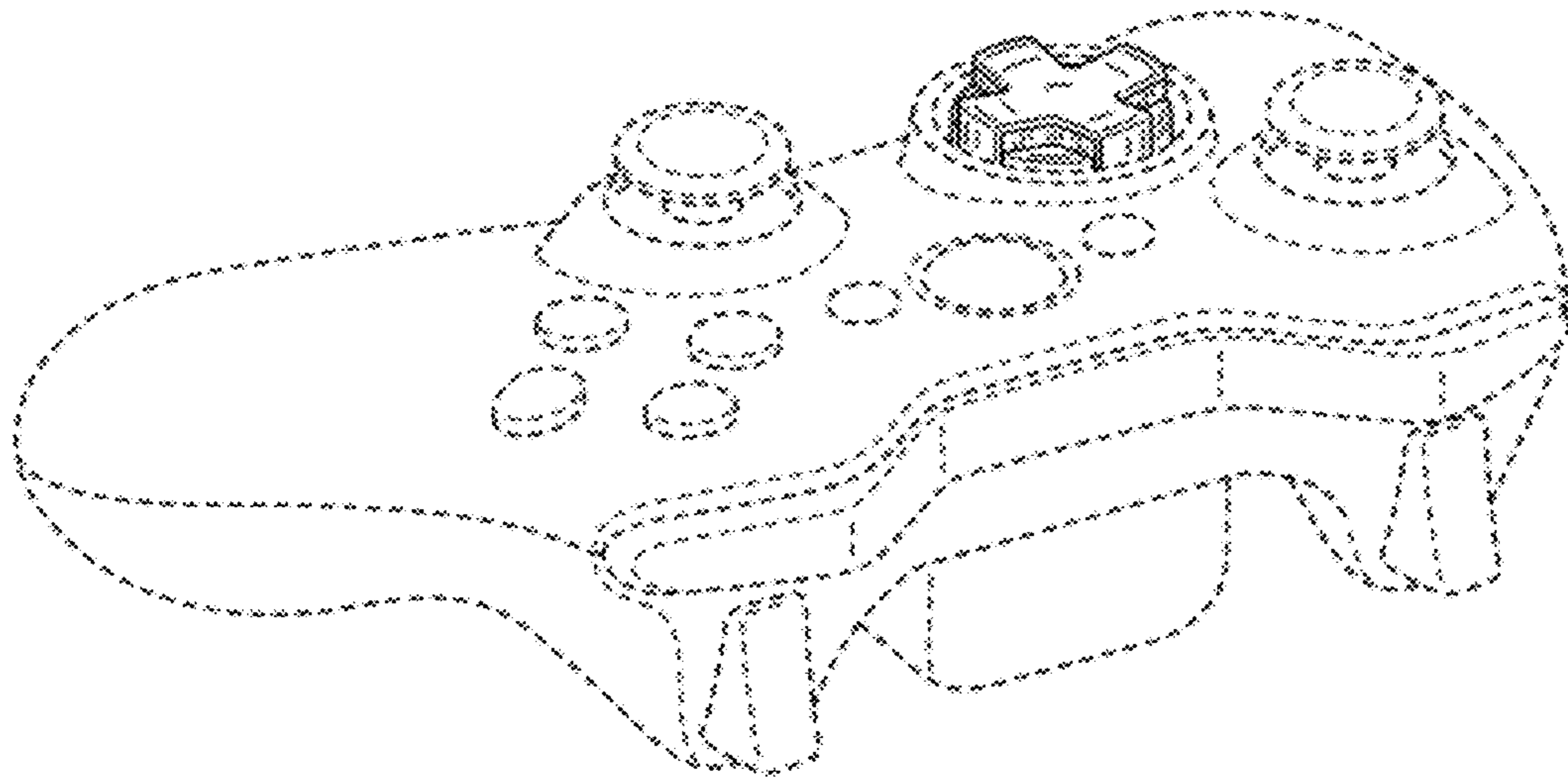


FIG. 1

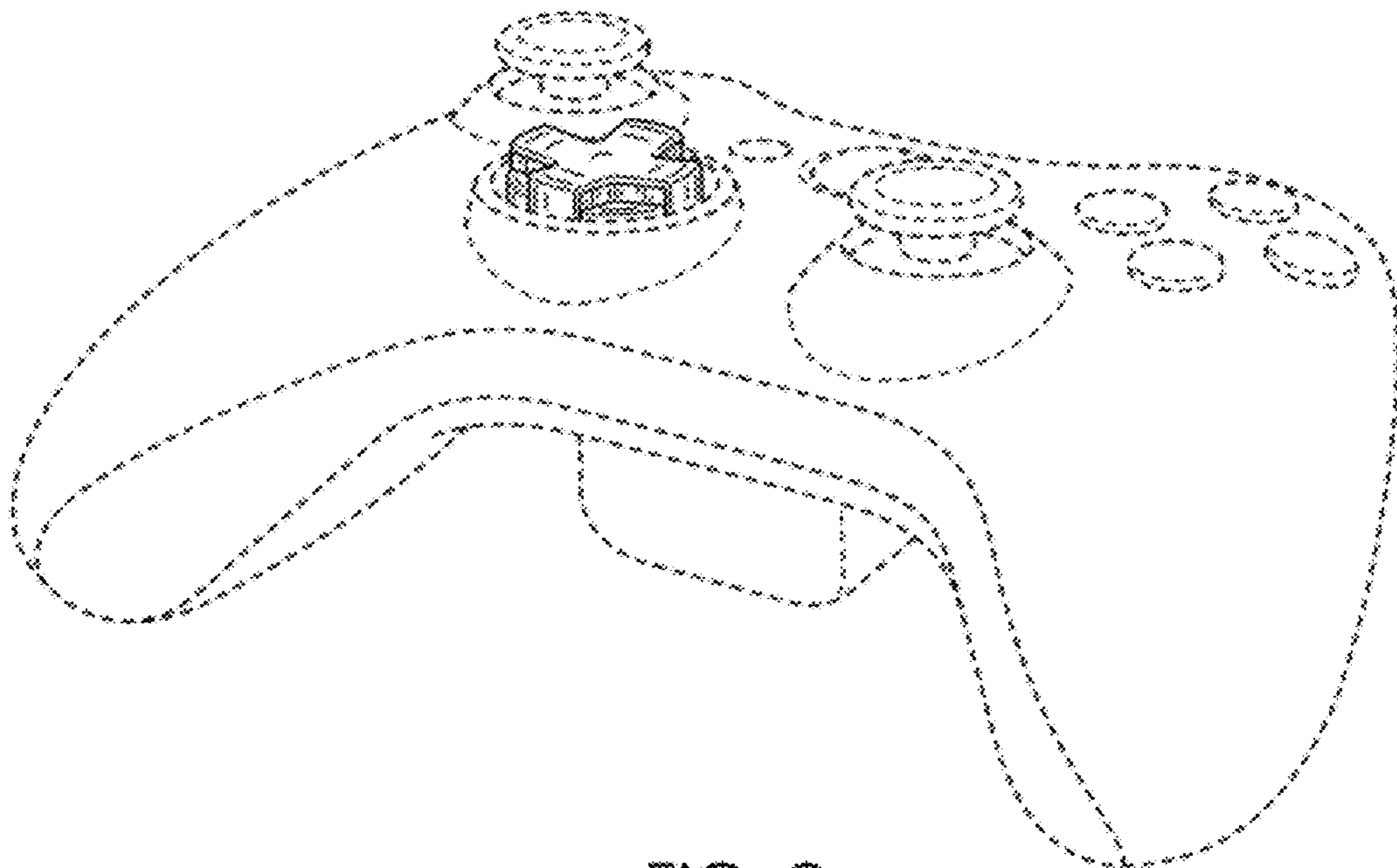


FIG. 2

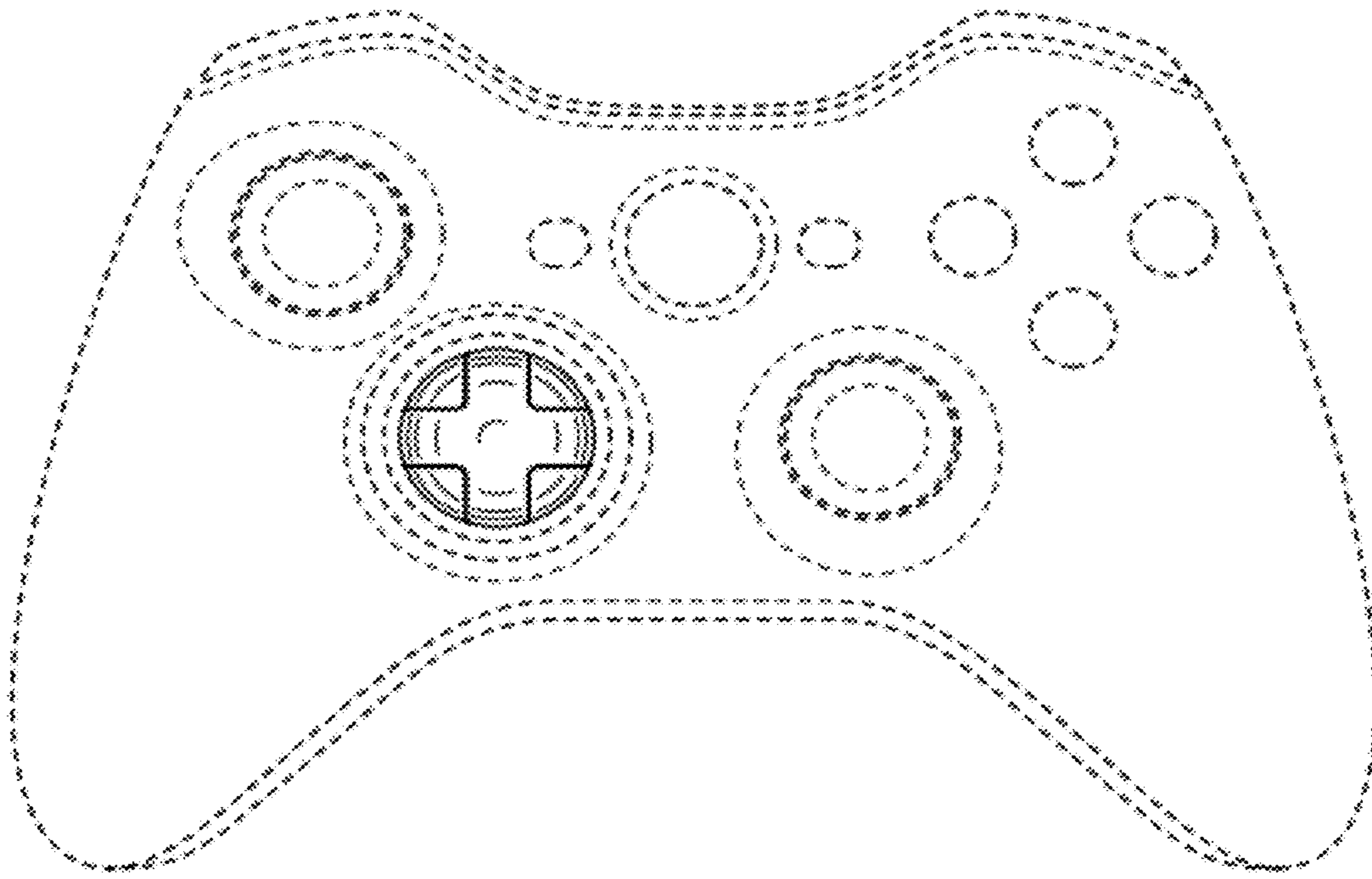


FIG. 3

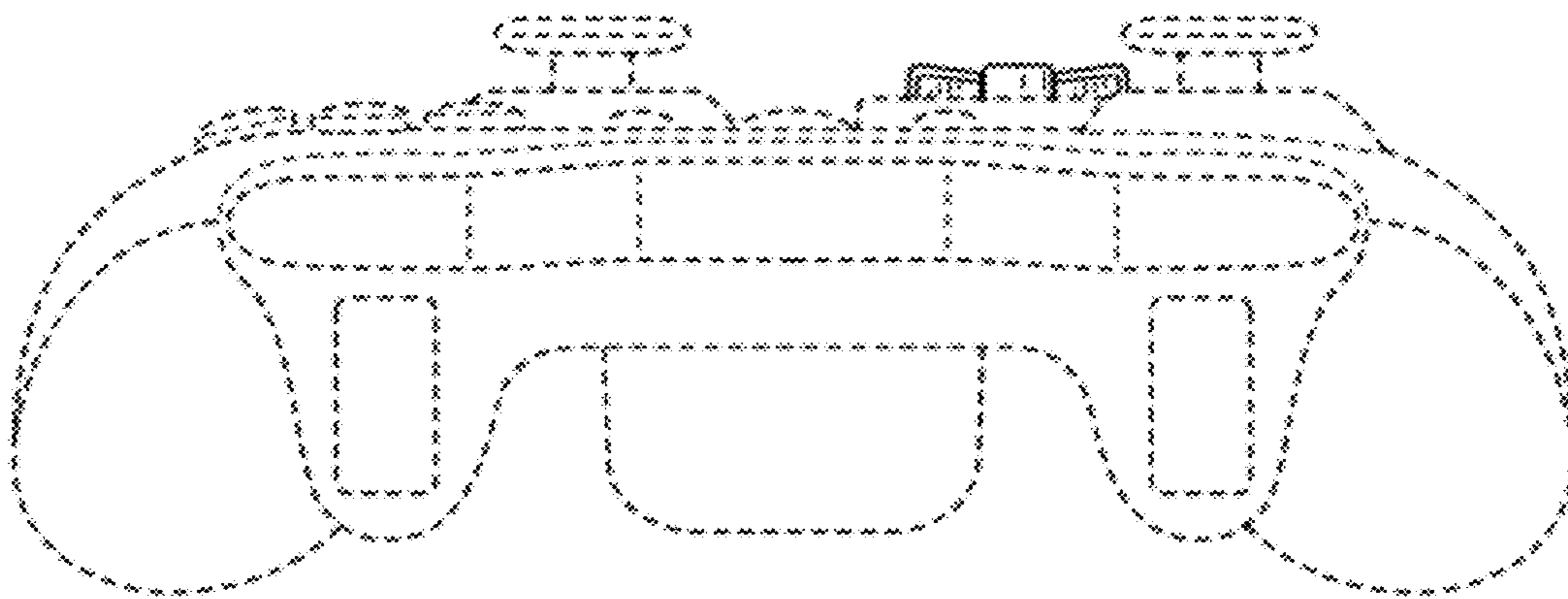


FIG. 4

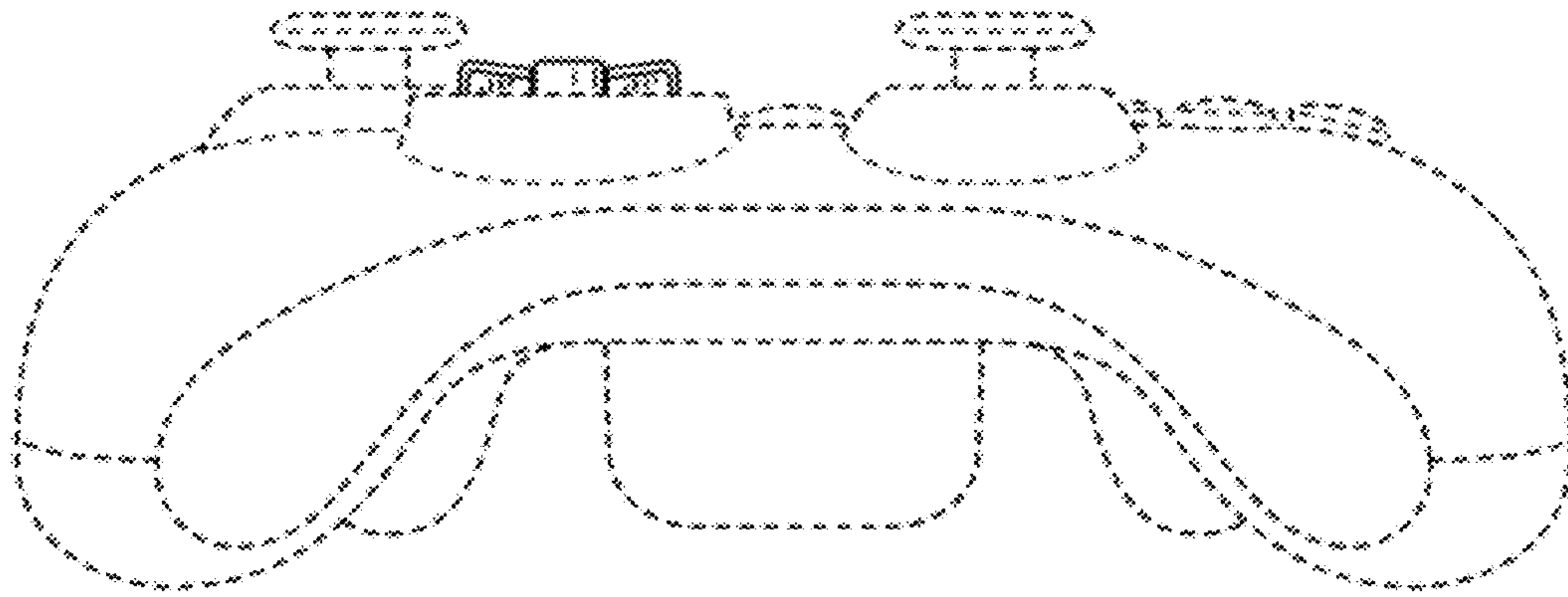


FIG. 5

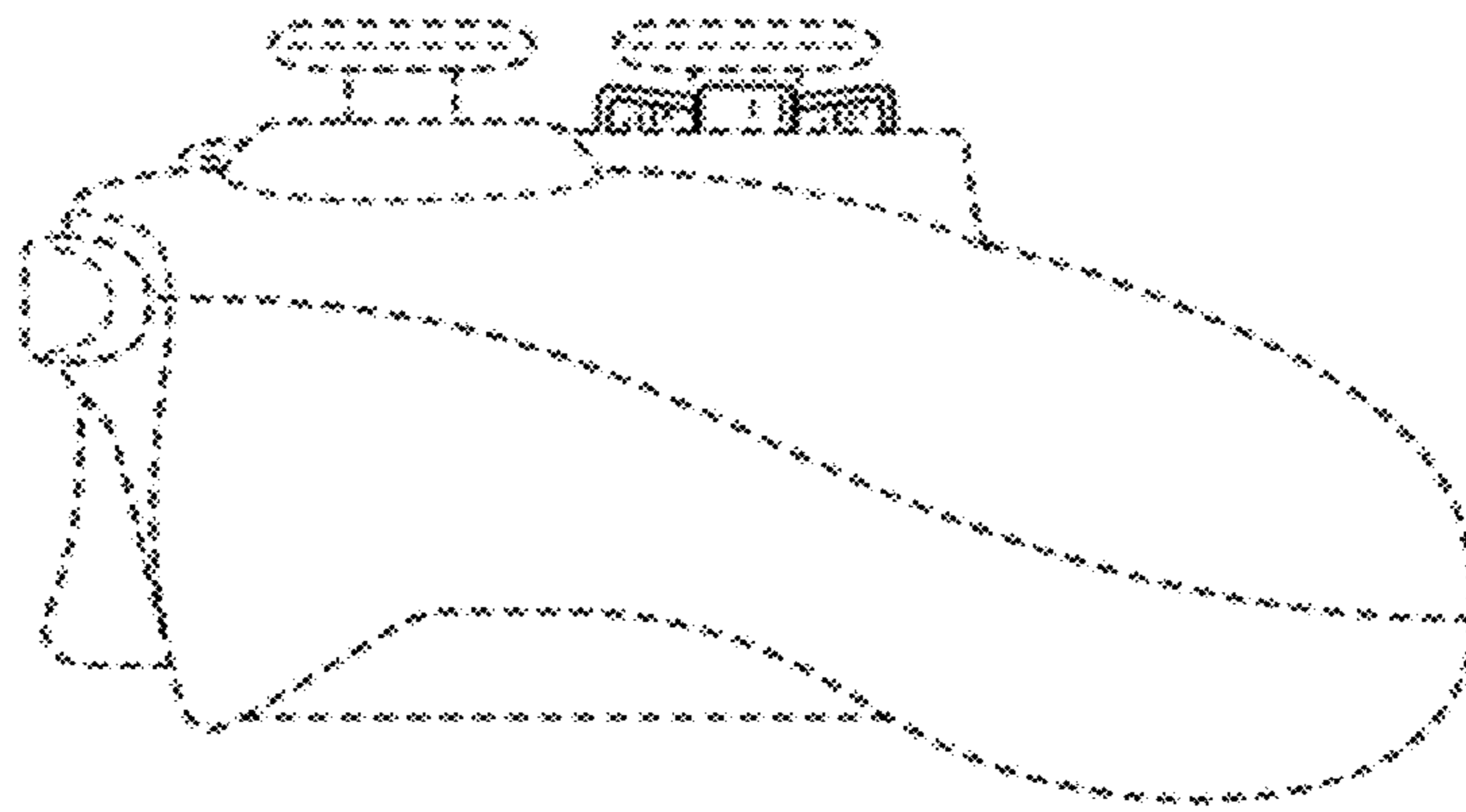


FIG. 6

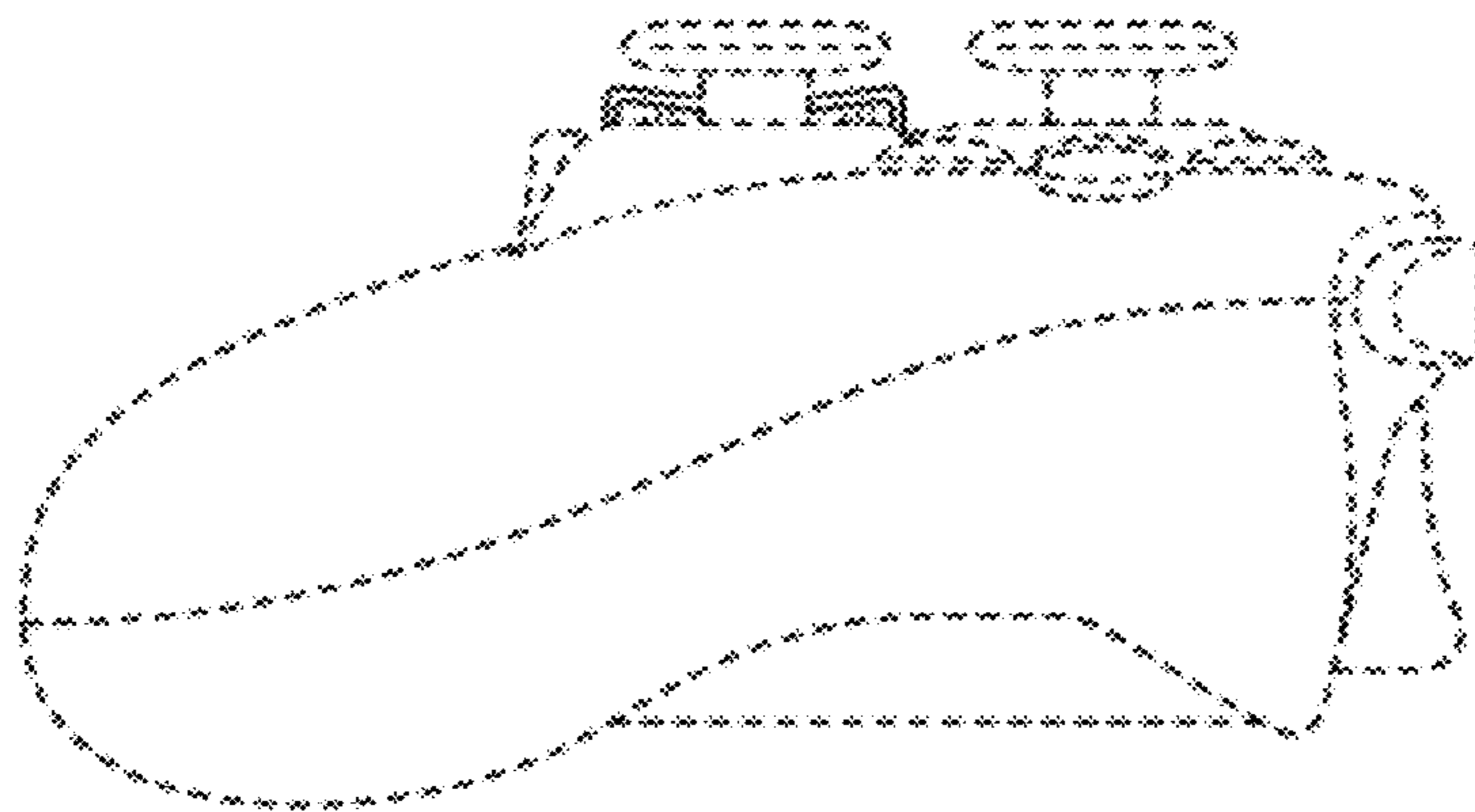


FIG. 7

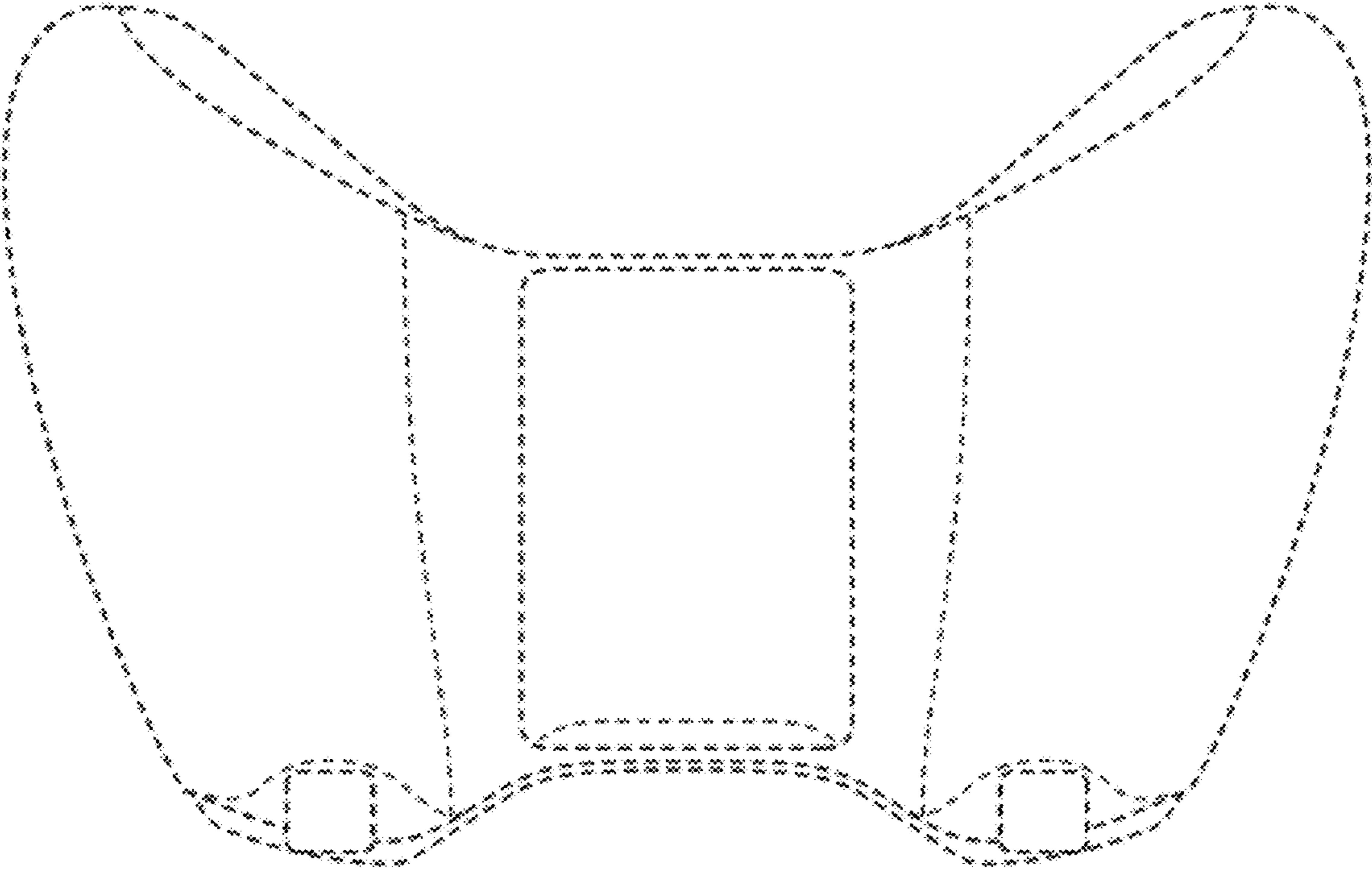


FIG. 8

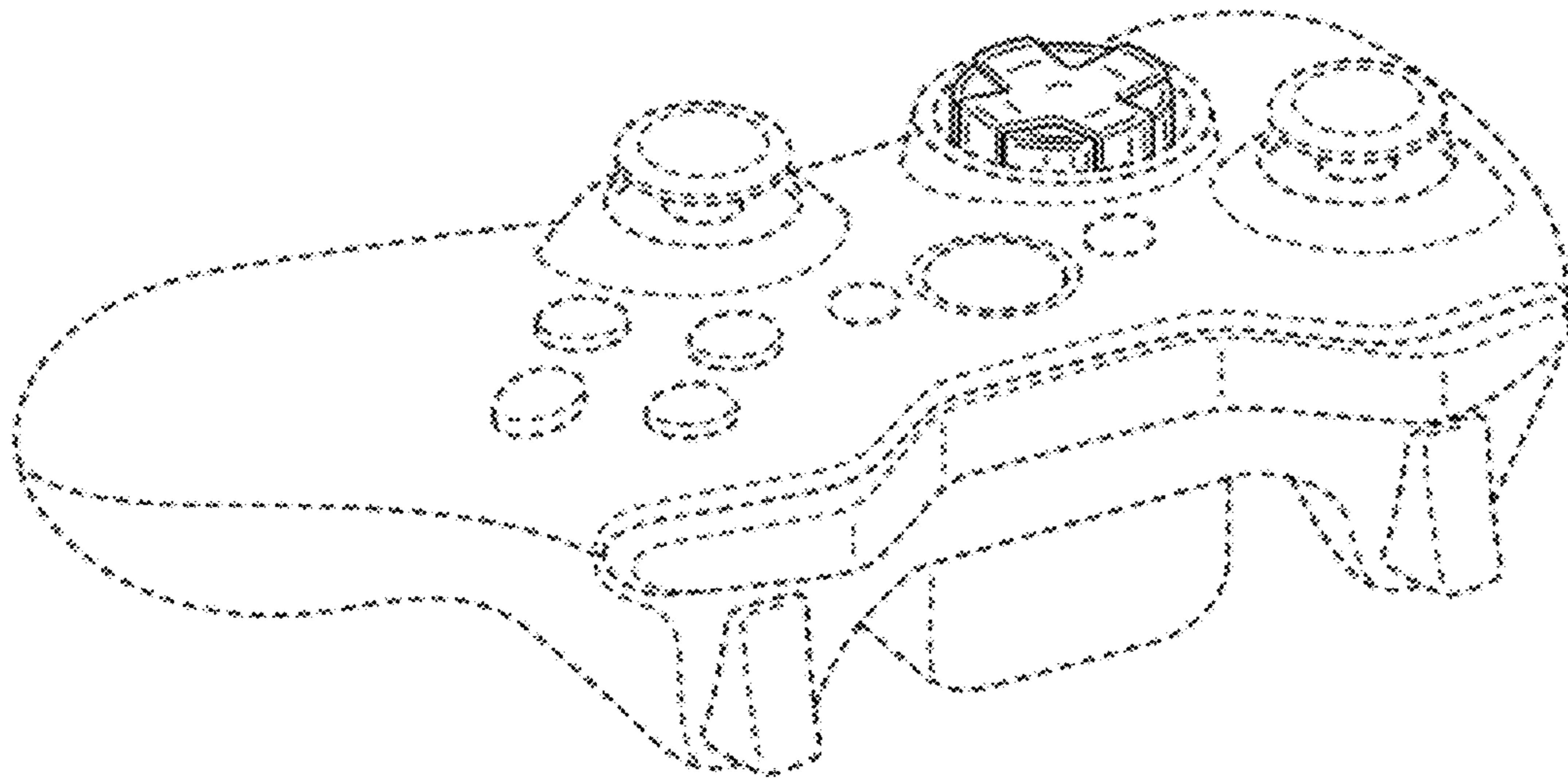


FIG. 9

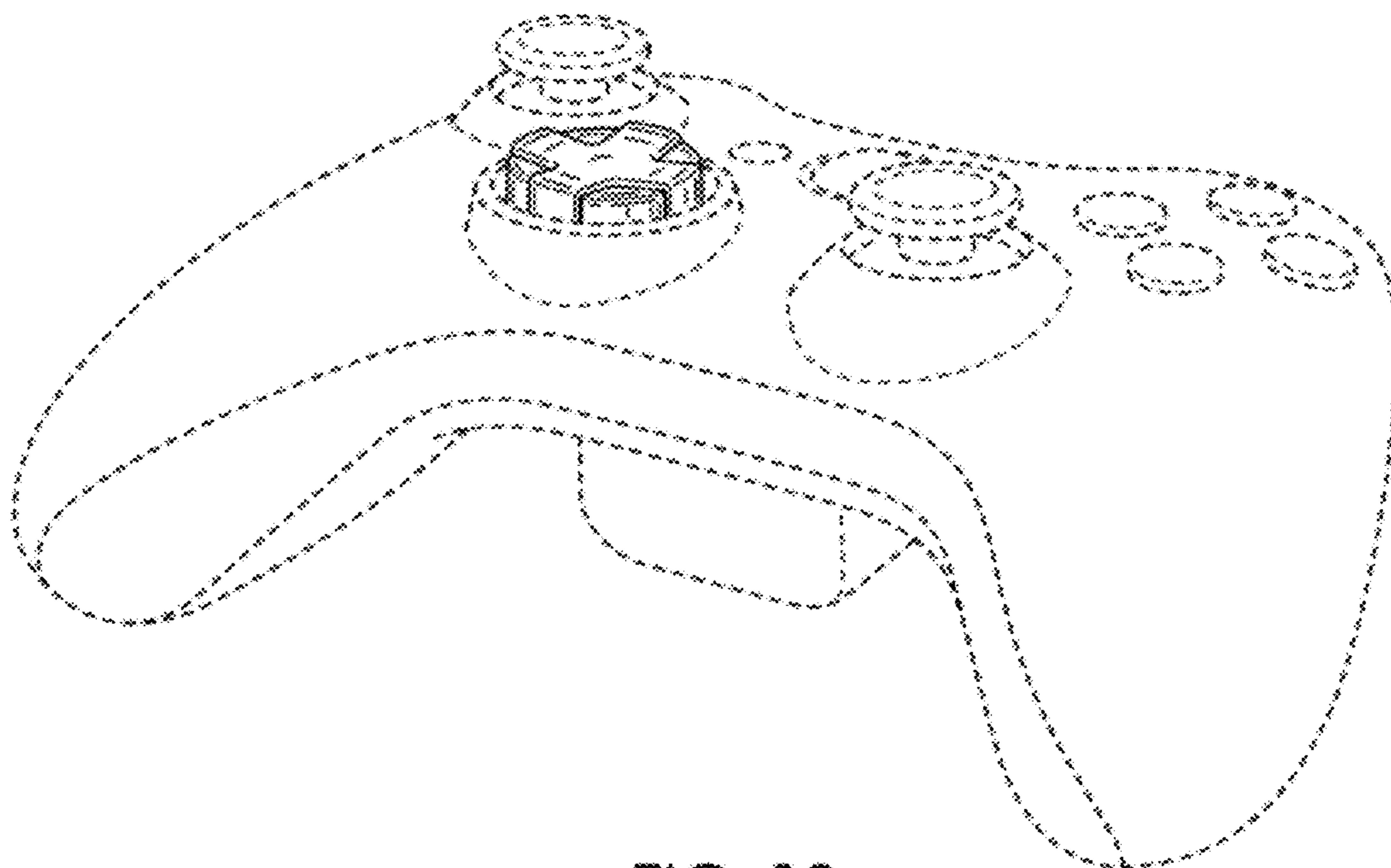


FIG. 10

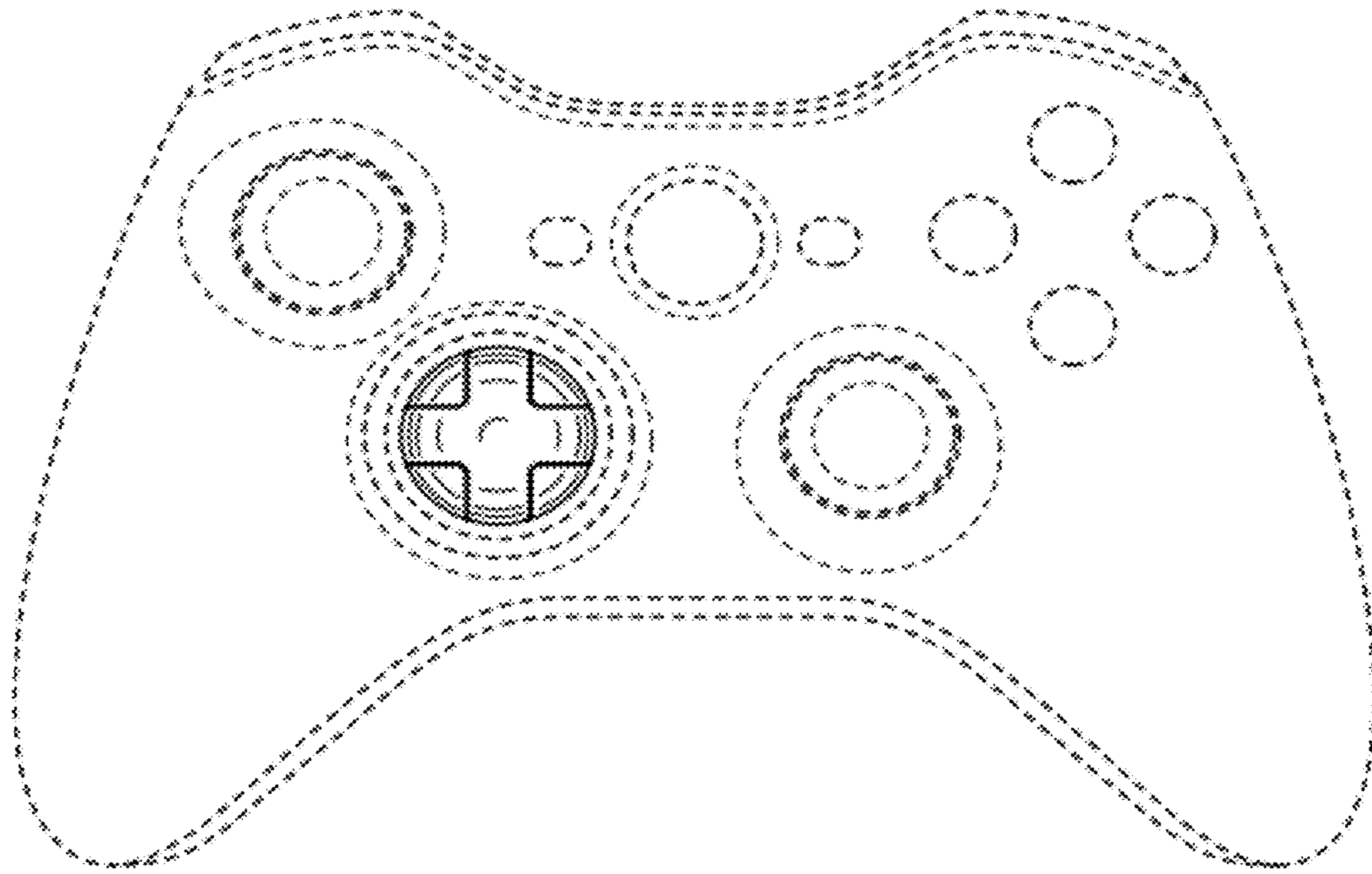


FIG. 11

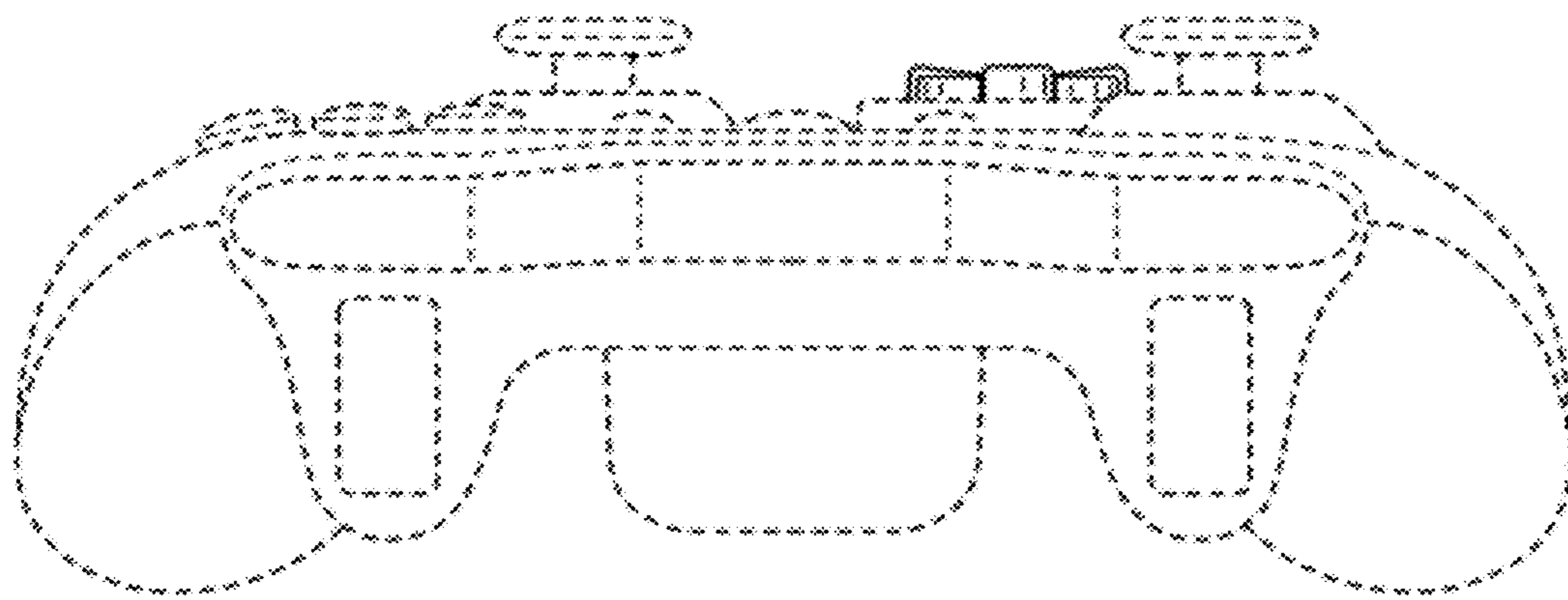


FIG. 12



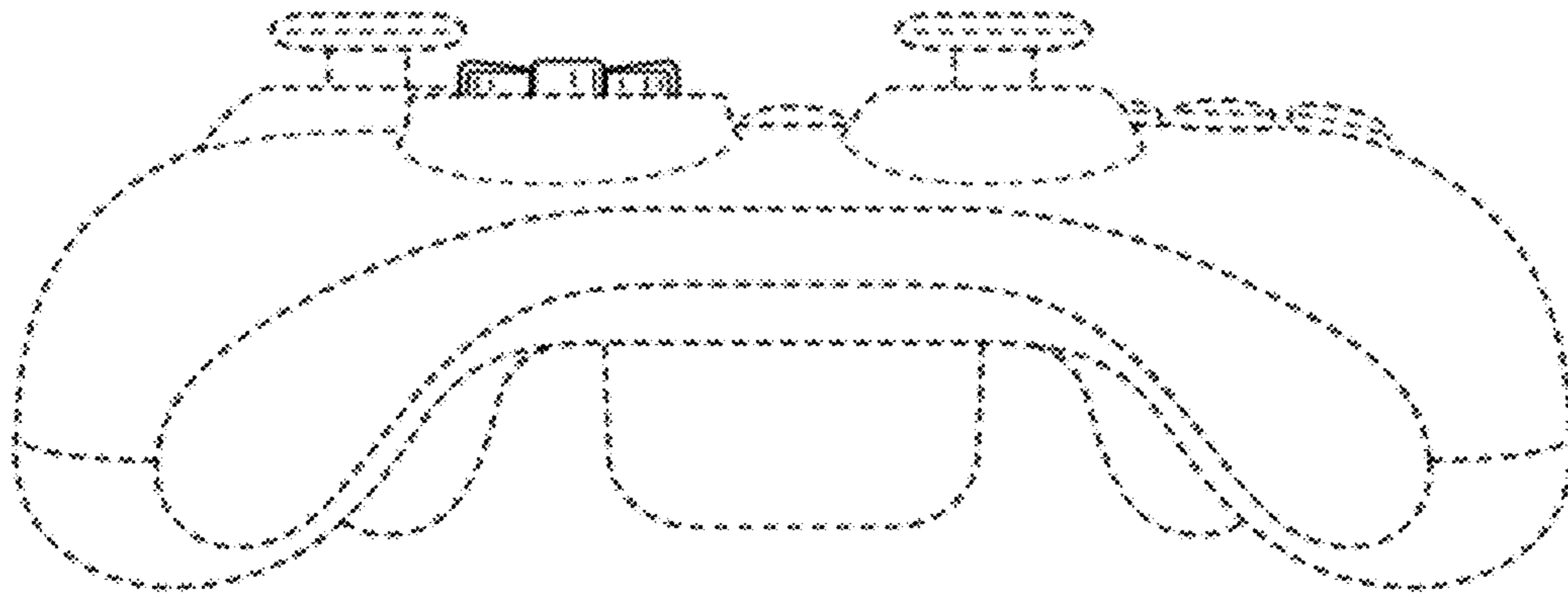


FIG. 13

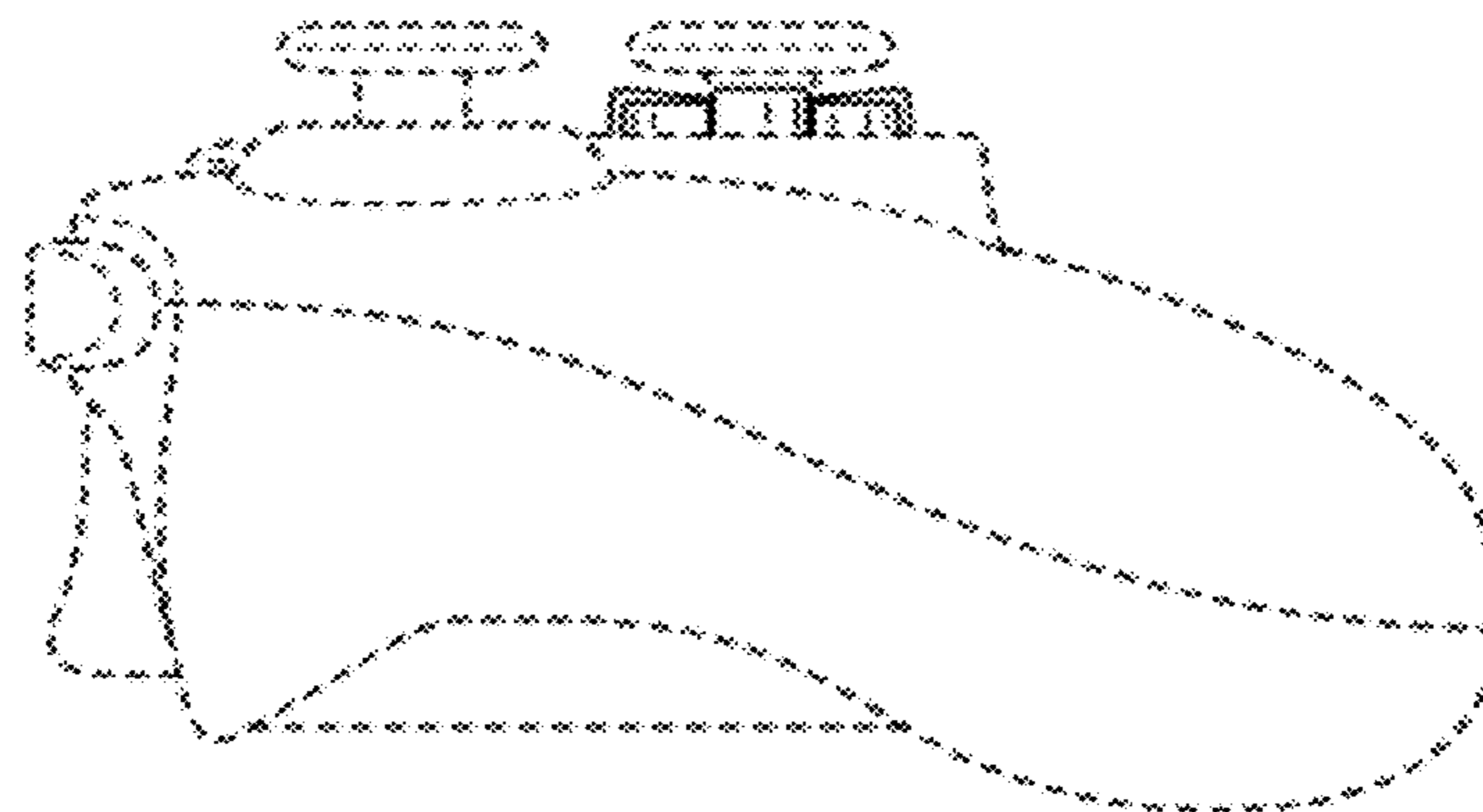


FIG. 14

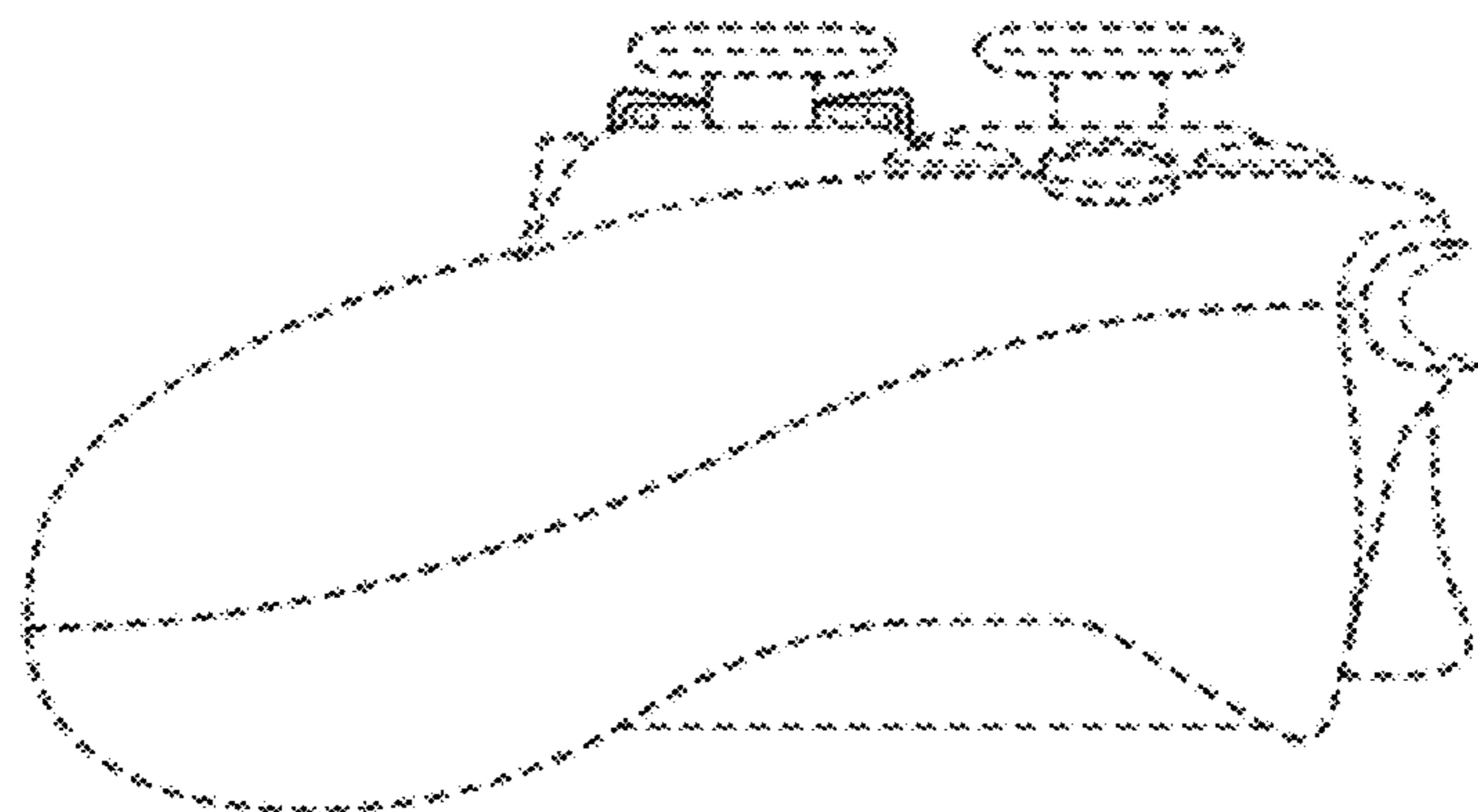


FIG. 15

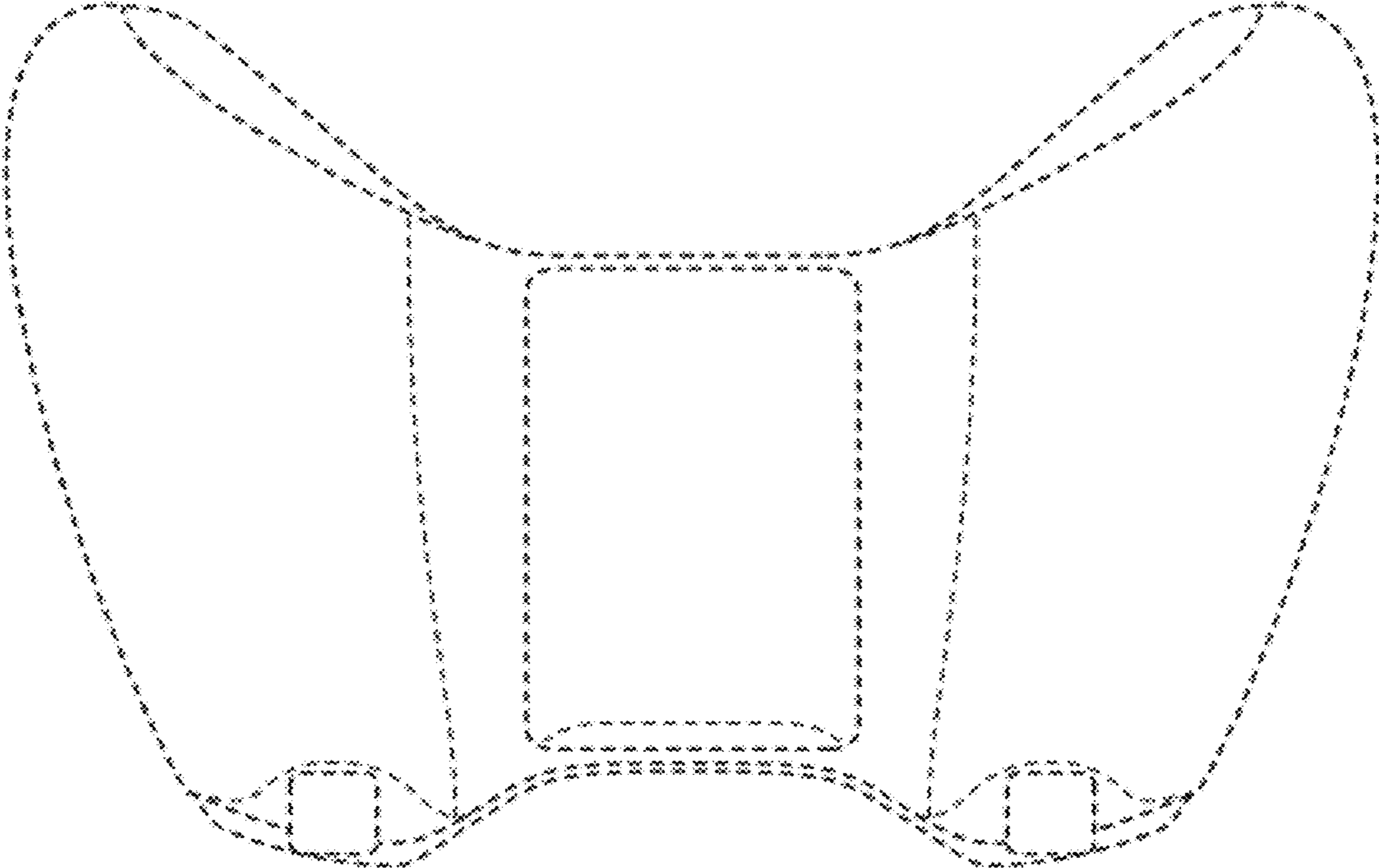


FIG. 16

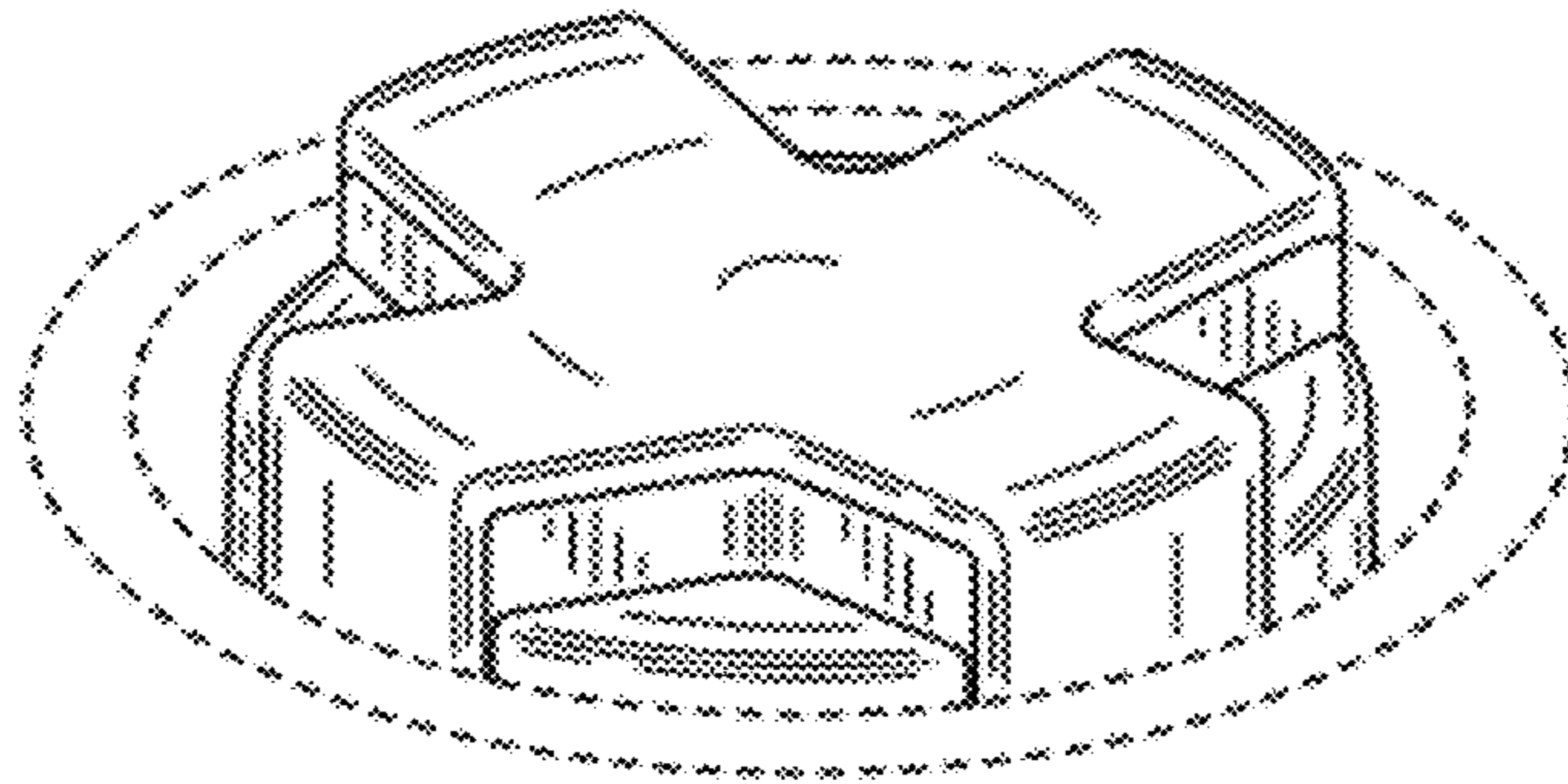


FIG. 17

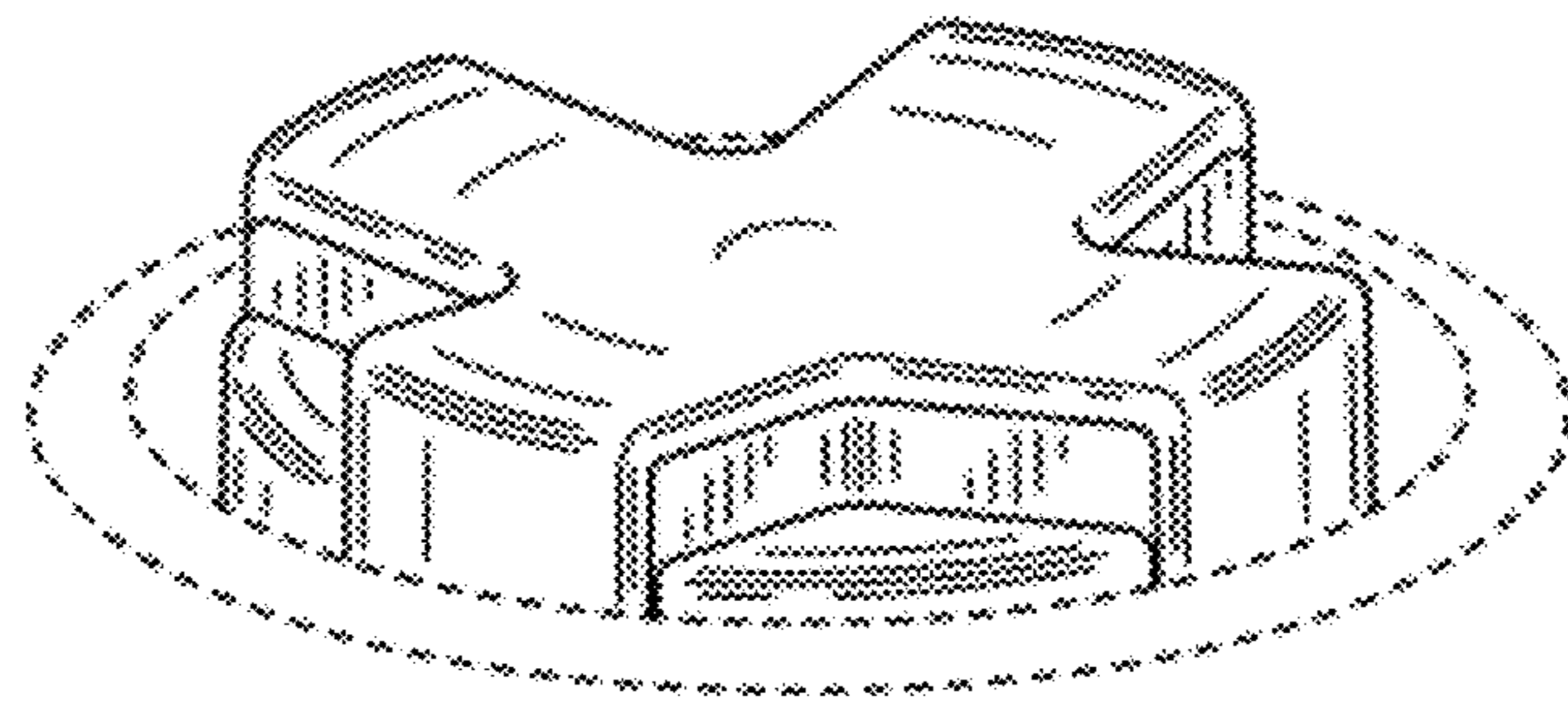


FIG. 18

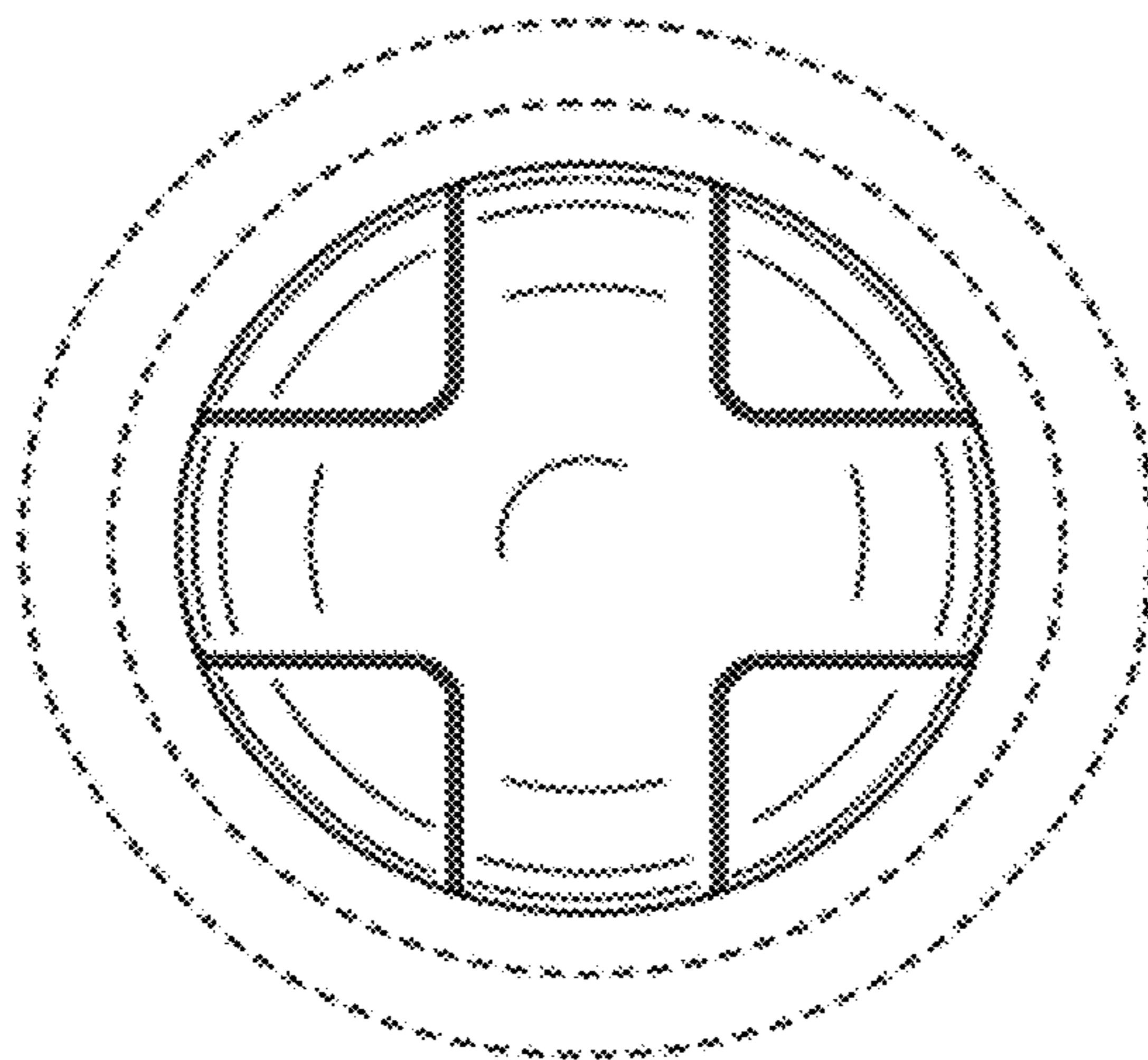


FIG. 19

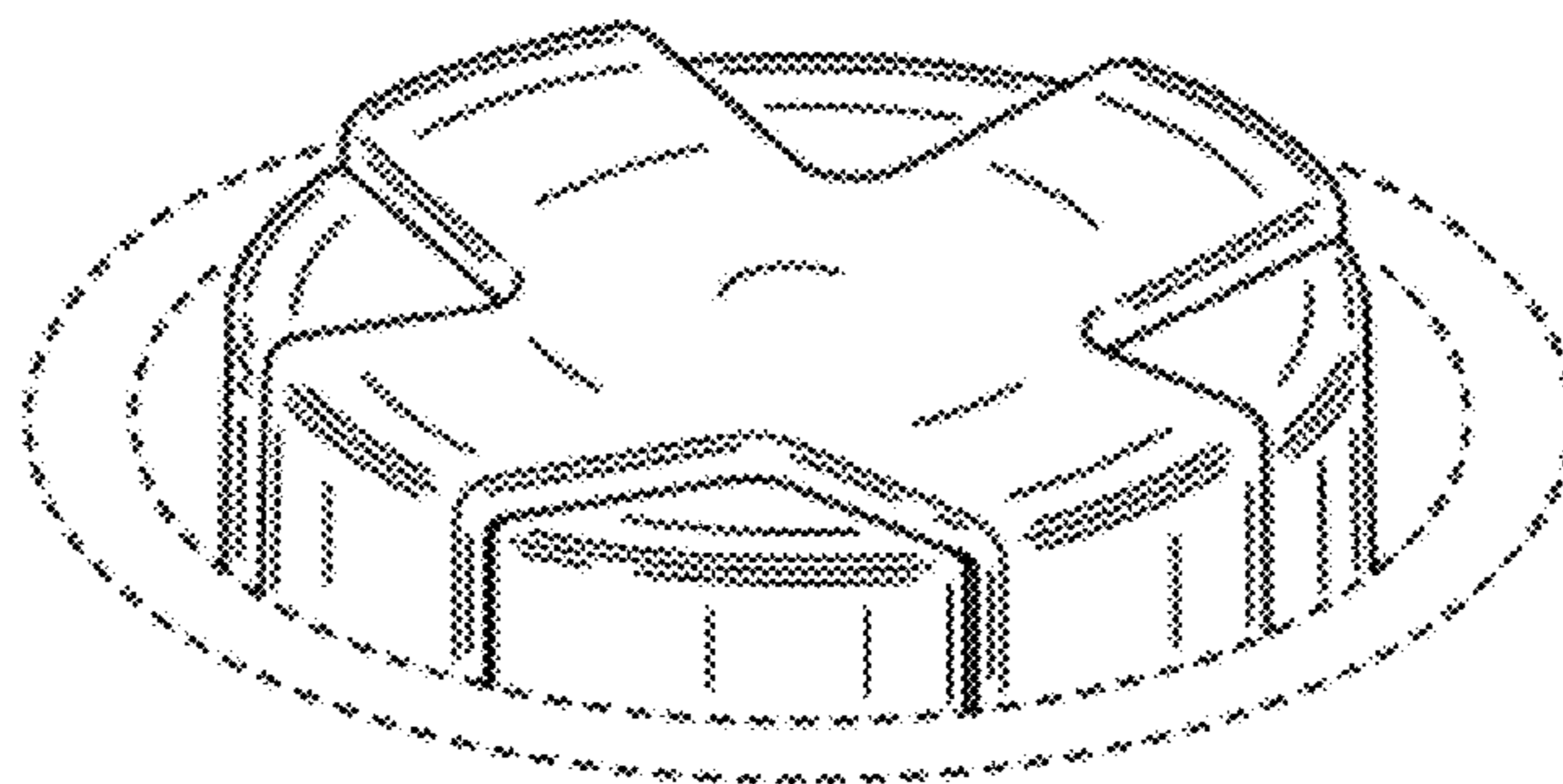


FIG. 20

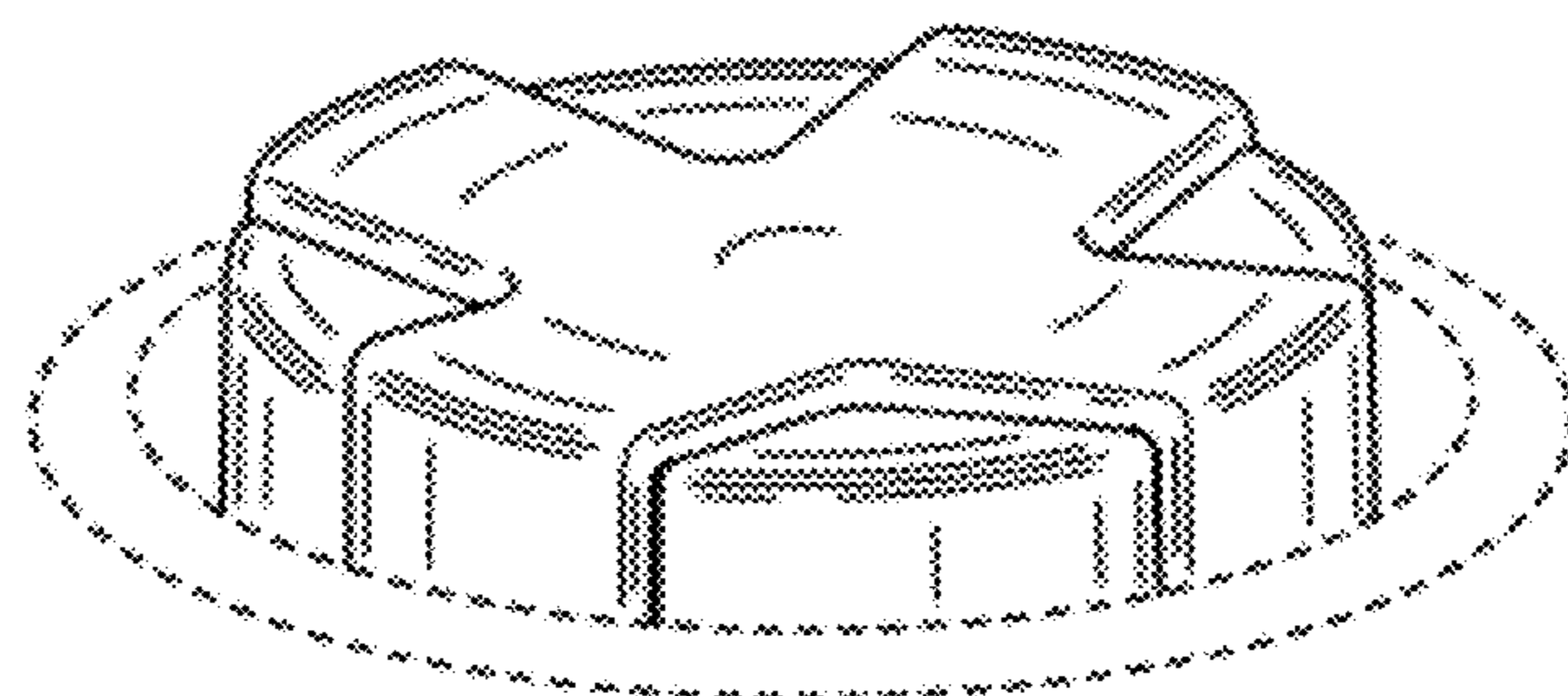


FIG. 21

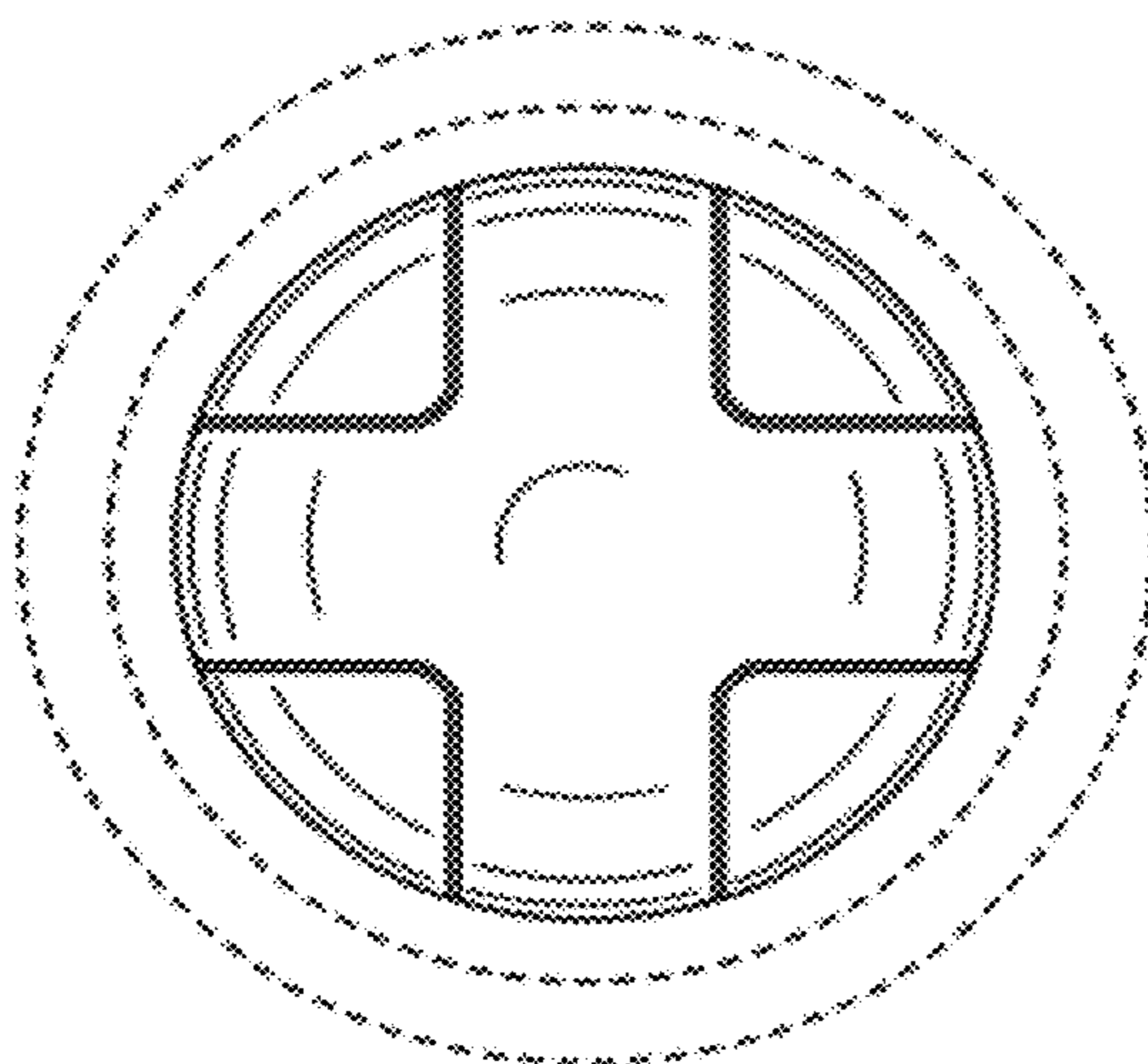


FIG. 22