



US00D658178S

(12) **United States Design Patent**
Ikeda et al.

(10) **Patent No.:** **US D658,178 S**

(45) **Date of Patent:** **** *Apr. 24, 2012**

(54) **GAME CONTROLLER**

(75) Inventors: **John Ikeda**, Seattle, WA (US); **Carl L. Ledbetter**, Mercer Island, WA (US); **Peter Bristol**, Redmond, WA (US)

(73) Assignee: **Microsoft Corporation**, Redmond, WA (US)

(*) Notice: This patent is subject to a terminal disclaimer.

(**) Term: **14 Years**

(21) Appl. No.: **29/368,838**

(22) Filed: **Aug. 30, 2010**

(51) **LOC (9) Cl.** **14-02**

(52) **U.S. Cl.** **D14/401; D21/333; D14/454**

(58) **Field of Classification Search** D14/217, D14/218, 356, 388, 399-401, 412-416, 432, D14/434, 454-457, 496; D21/324, 332, D21/333; 463/1, 30, 36-38, 46, 47; 345/156-161, 345/905

See application file for complete search history.

(56) **References Cited**

U.S. PATENT DOCUMENTS

D348,083 S	6/1994	Smith, III et al.	
D382,916 S *	8/1997	Oikawa	D14/401
D389,529 S *	1/1998	Hayami	D14/401
D405,079 S *	2/1999	Oikawa	D14/401
D408,366 S *	4/1999	Popadiuk	D13/158
D410,914 S *	6/1999	Tyler et al.	D14/401
D417,211 S	11/1999	Kaneko et al.	
D420,660 S *	2/2000	Chen	D14/401
D421,433 S	3/2000	Alviar et al.	
D424,047 S	5/2000	Chan	
D425,047 S *	5/2000	Tyler et al.	D14/401
D430,852 S *	9/2000	Miyashita	D13/158
D432,180 S	10/2000	Hayes	
D433,076 S	10/2000	Hayes	
D434,388 S *	11/2000	Omata	D13/158
D434,389 S *	11/2000	Omata	D13/158
D435,551 S	12/2000	Hayes	
D440,567 S *	4/2001	Wahlgren et al.	D14/401

D451,513 S	12/2001	Stewart et al.
D452,505 S	12/2001	Stewart et al.
D453,758 S	2/2002	Han et al.

(Continued)

OTHER PUBLICATIONS

Gear Patrol.com; Dougherty, Ethan; "Xbox 360 Controller with Twist-Up D-pad"; <http://gearpatrol.com/blog/2010/09/01/xbox-360-controller-with-twist-up-d-pad/>; dated Sep. 1, 2010; accessed May 23, 2011; 5pgs.*

(Continued)

Primary Examiner — Stella Reid

Assistant Examiner — Keli L Hill

(74) *Attorney, Agent, or Firm* — Banner & Witcoff, Ltd.

(57) **CLAIM**

The ornamental design for a game controller, as shown and described.

DESCRIPTION

FIG. 1 is a front perspective view of a game controller showing the new design;

FIG. 2 is a rear perspective view thereof;

FIG. 3 is a top view thereof;

FIG. 4 is a front side view thereof;

FIG. 5 is a rear side view thereof;

FIG. 6 is a left view thereof;

FIG. 7 is a right view thereof;

FIG. 8 is a bottom view thereof;

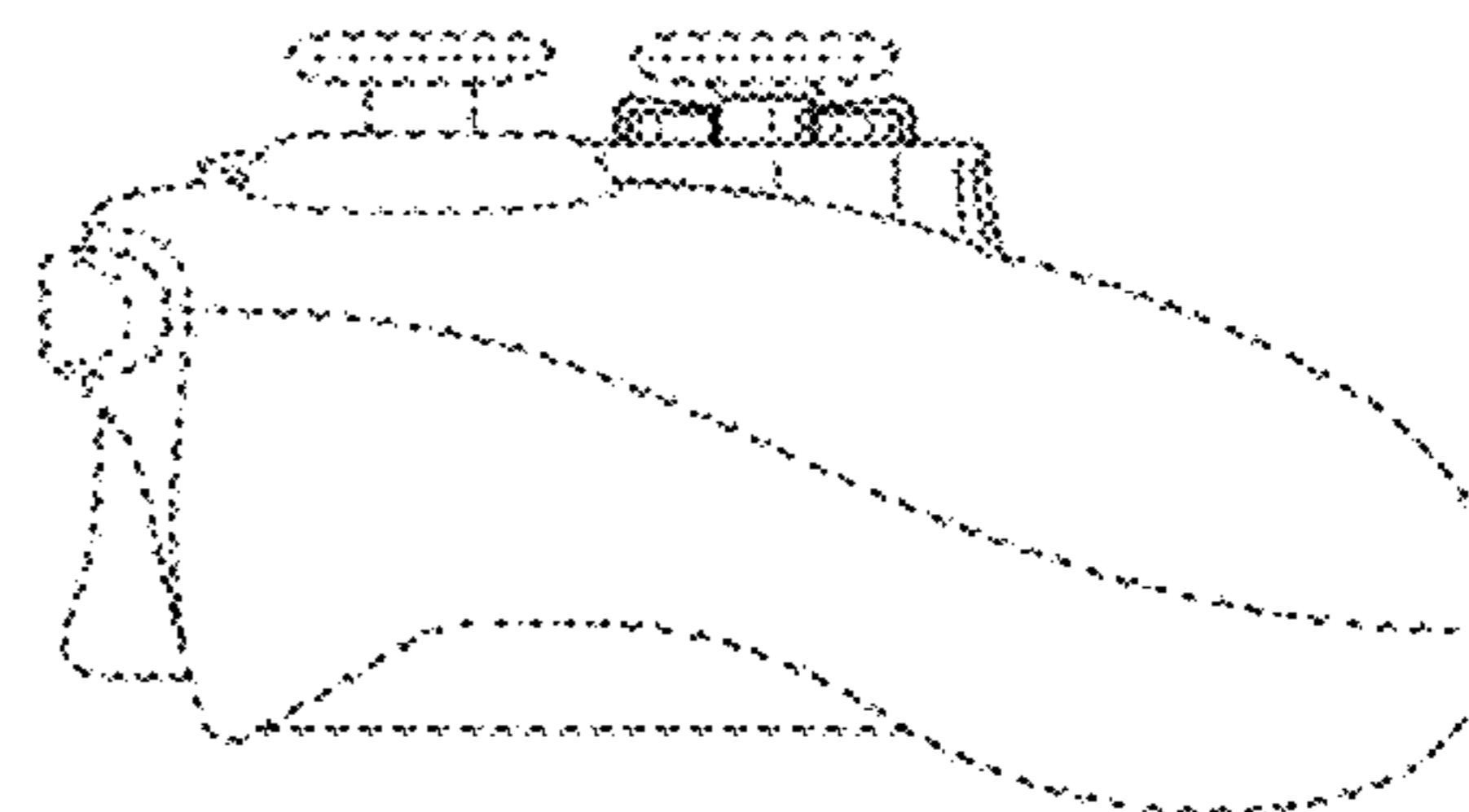
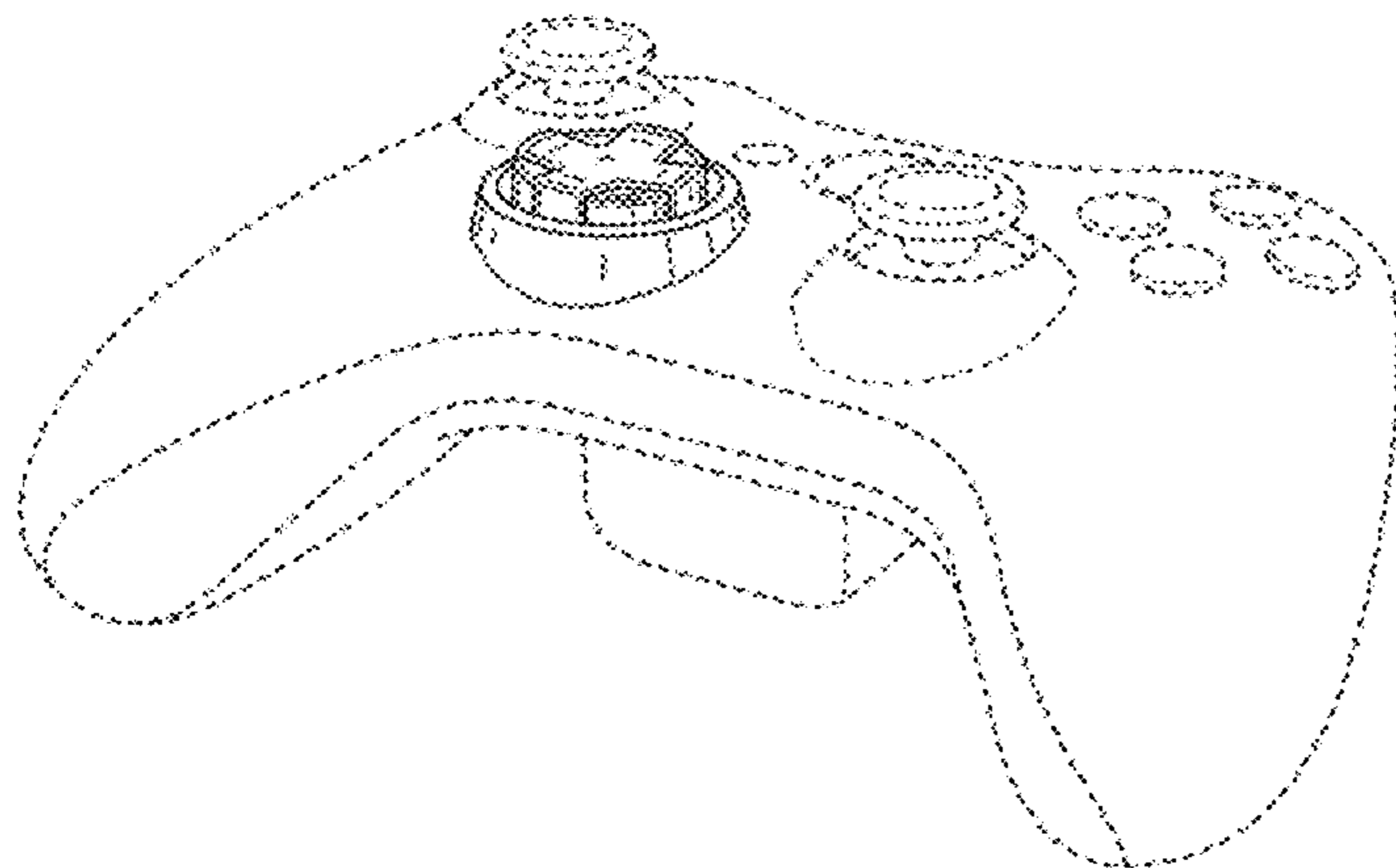
FIG. 9 is an enlarged front perspective view of a region of the game controller containing a portion of the claimed portion taken from the angle as shown in FIG. 1;

FIG. 10 is an enlarged rear perspective view of the region of the game controller shown in FIG. 9 taken from the angle as shown in FIG. 2; and,

FIG. 11 is a top view of the region of the game controller shown in FIG. 9.

The broken lines shown are included for the purpose of illustrating the unclaimed portions of the article and form no part of the claim.

1 Claim, 5 Drawing Sheets



US D658,178 S

Page 2

U.S. PATENT DOCUMENTS

D453,932 S * 2/2002 Han et al. D14/401
D454,878 S * 3/2002 Hayes et al. D14/401
D491,183 S * 6/2004 Swan et al. D14/401
D514,584 S * 2/2006 Summit et al. D14/456
D521,015 S 5/2006 Hayes et al.
D522,011 S 5/2006 Hayes et al.
D522,012 S 5/2006 Hayes et al.
D547,763 S * 7/2007 Hayes et al. D14/454
D568,409 S * 5/2008 Ikeda et al. D21/333
D571,368 S * 6/2008 Salter D14/401
D581,422 S 11/2008 Hayes et al.
D585,451 S * 1/2009 DeMaio et al. D14/456
D608,784 S * 1/2010 Biheller D14/401

D615,595 S 5/2010 Williamson et al.
D624,543 S * 9/2010 Kettula D14/388
D636,773 S * 4/2011 Lin D14/401

OTHER PUBLICATIONS

Xbox 360 Wireless Controller, 1 color sheet, Microsoft, 2005.
Preliminary Notice of Reasons for Refusal, JP Design Application
No. 2011-00457, Dispatch Date Aug. 5, 2011, with cited image.
Logitech Cordless Rumblepad 2 Controller (2 images), which is
believed to have been on sale prior to 2010, and which is believed to
be the controller cited in the Preliminary Notice of Reasons for
Refusal submitted herewith.

* cited by examiner

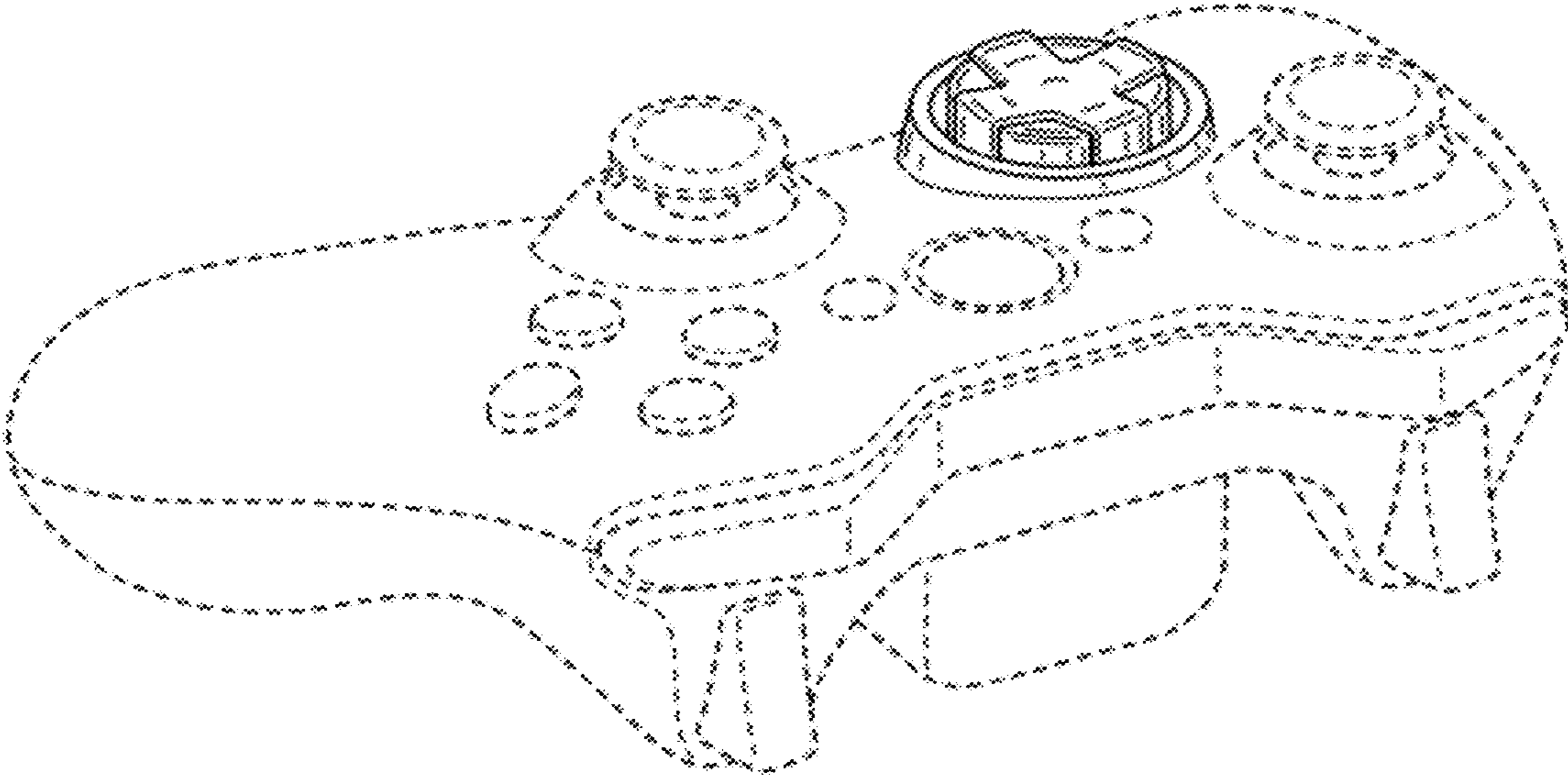


FIG. 1

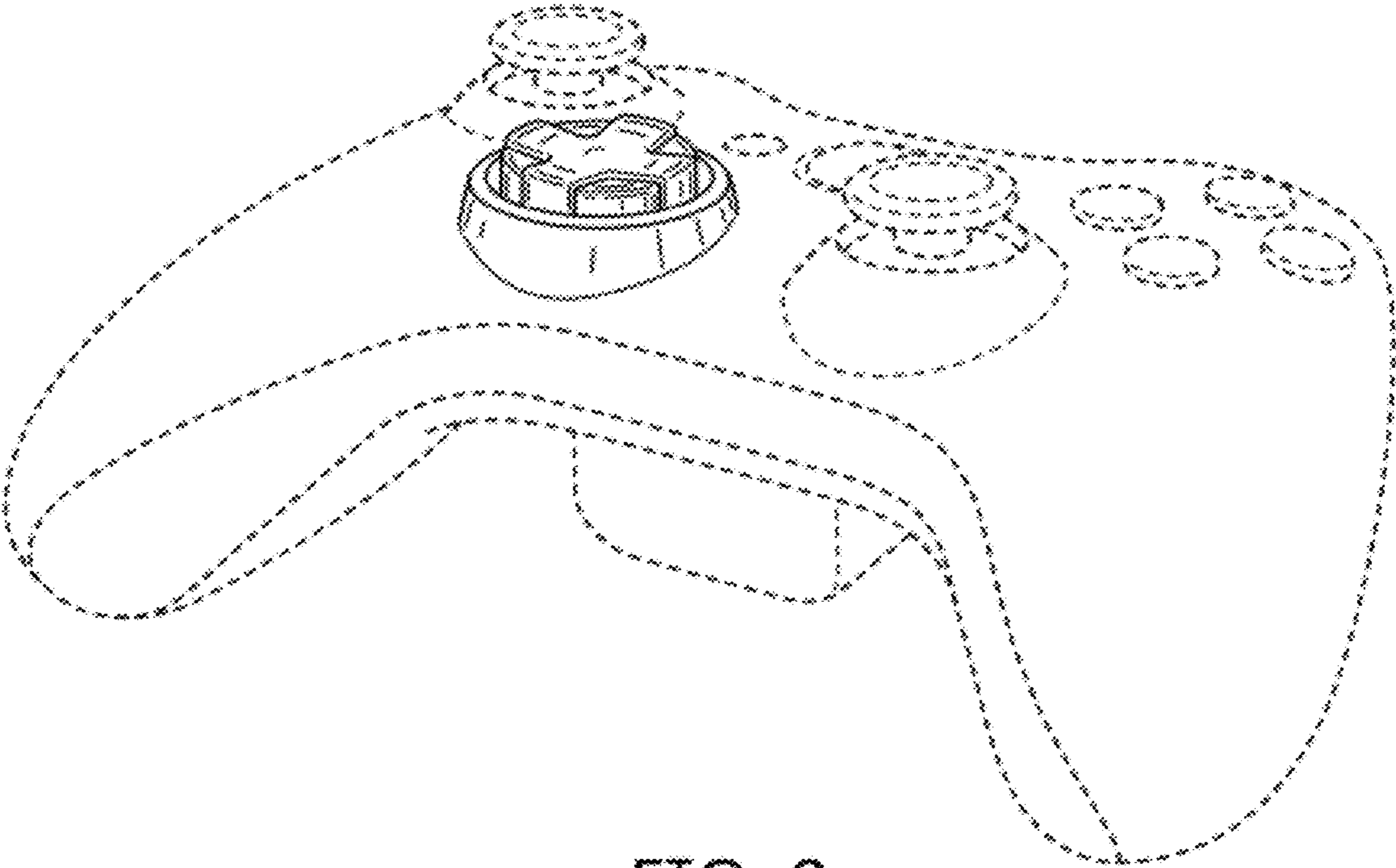


FIG. 2

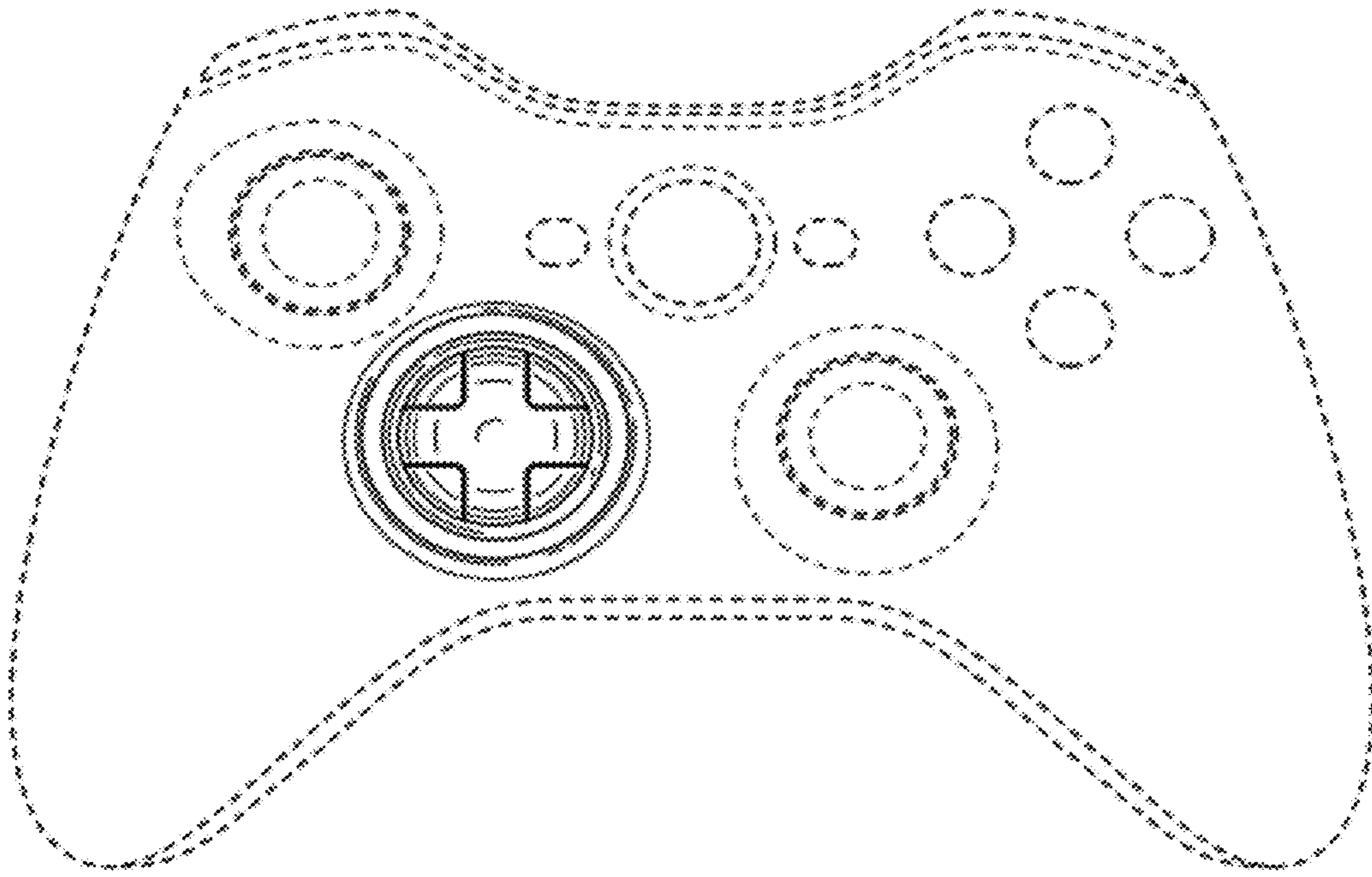


FIG. 3

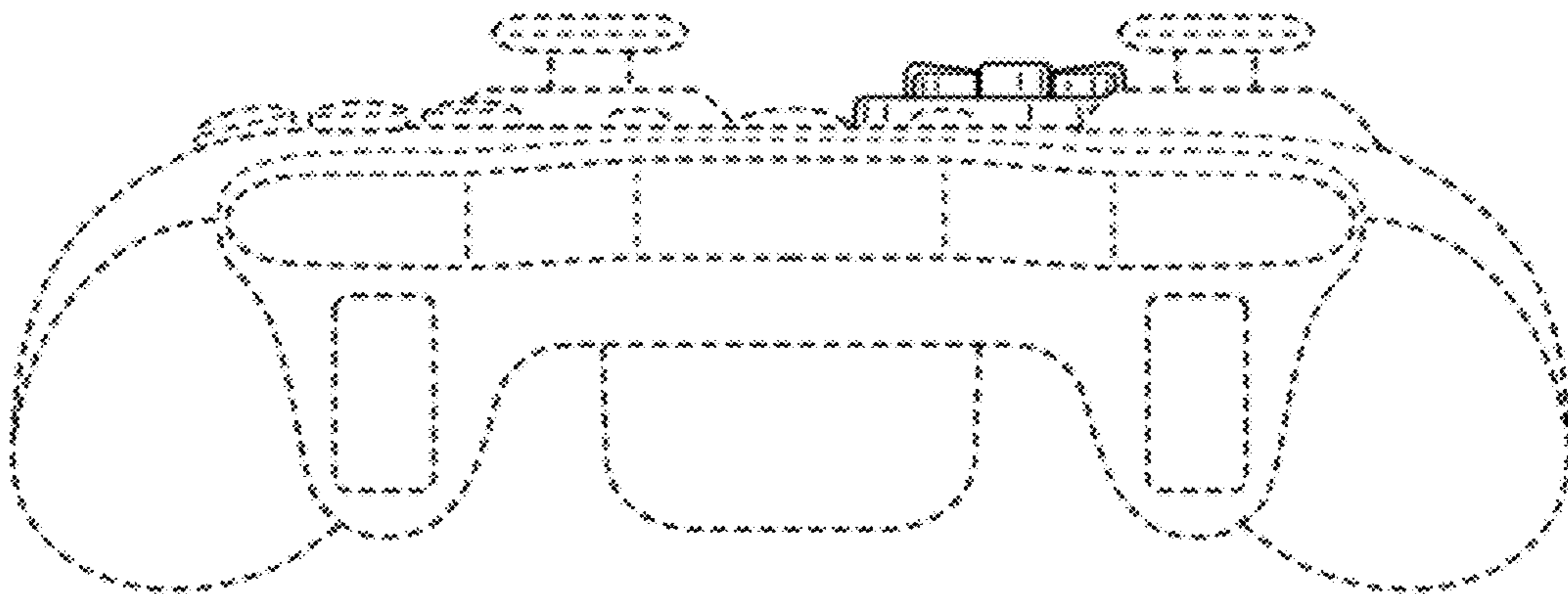


FIG. 4

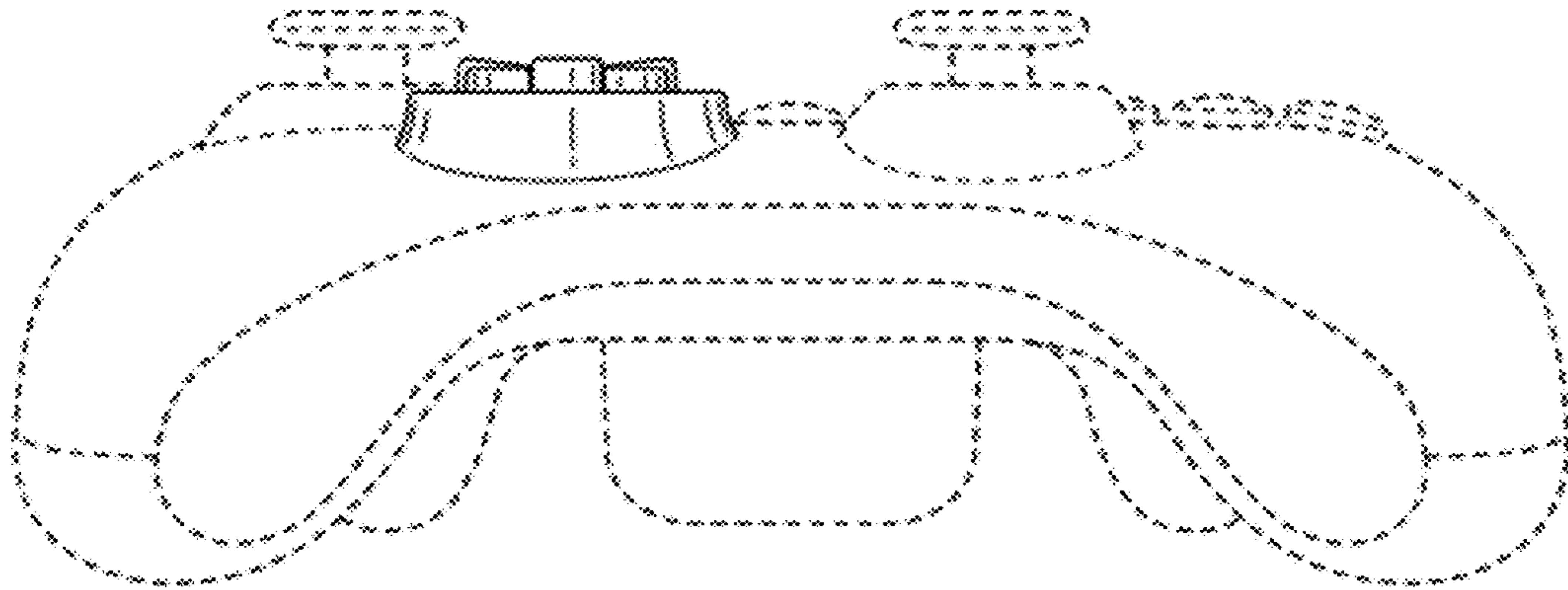


FIG. 5

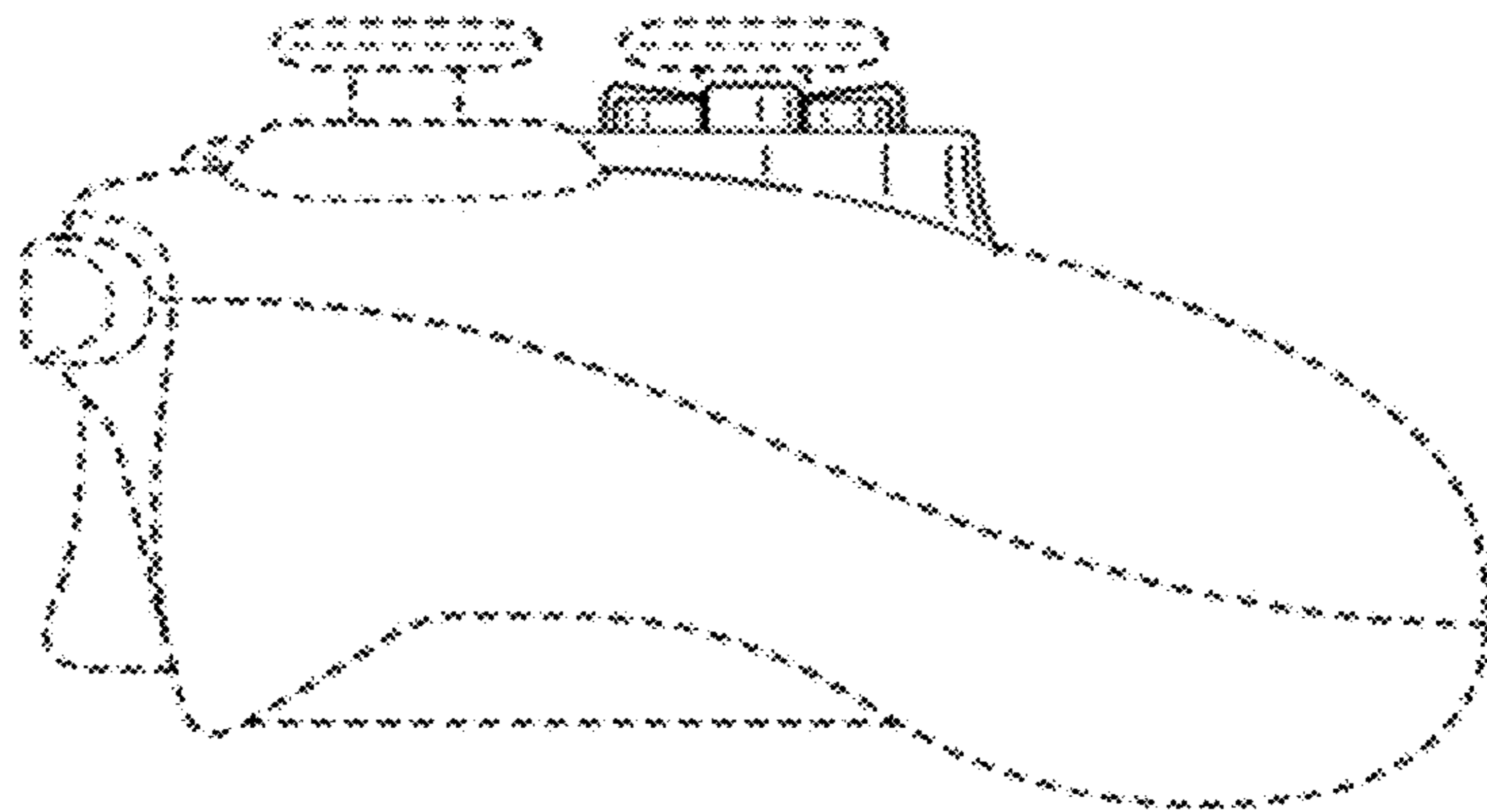


FIG. 6

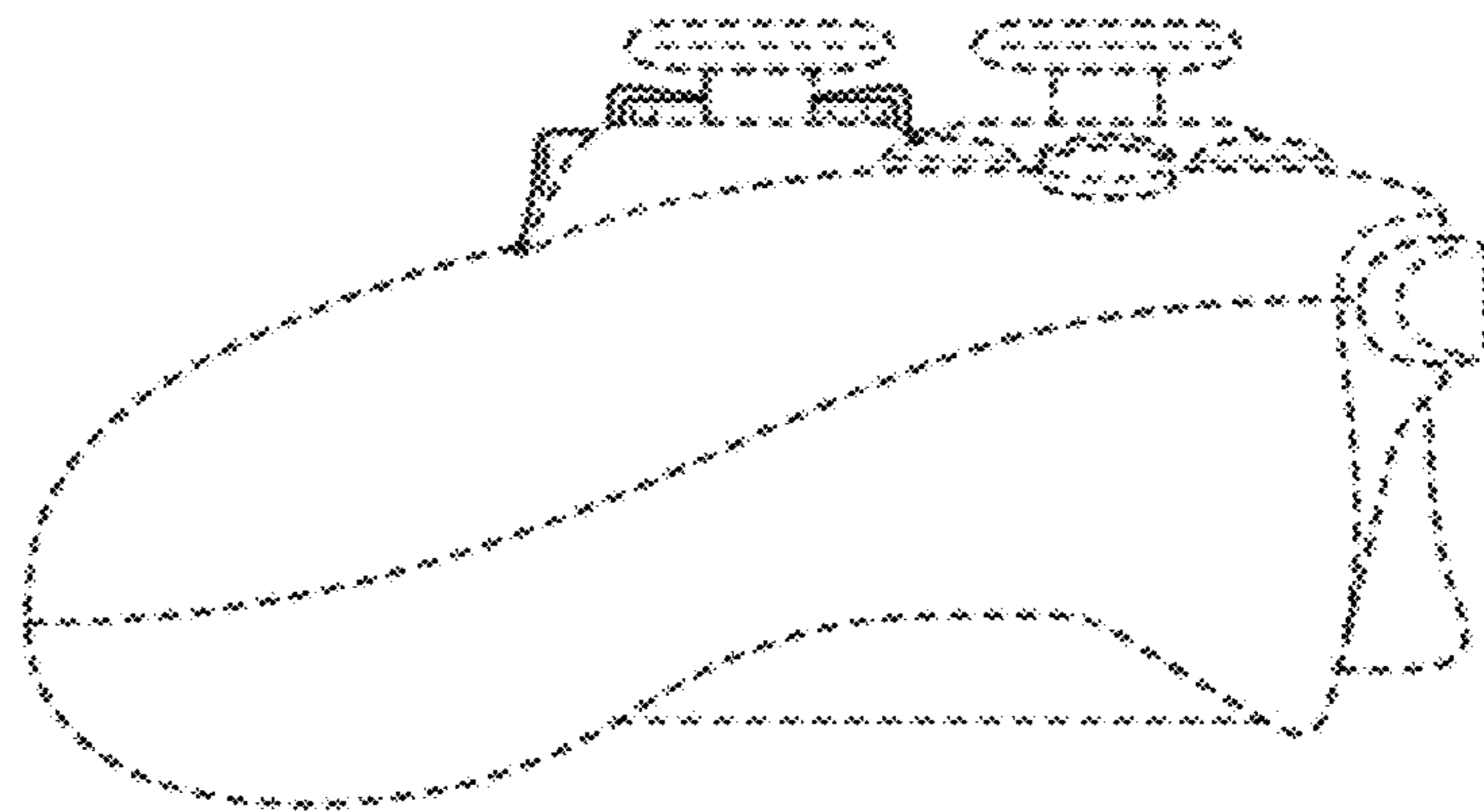


FIG. 7

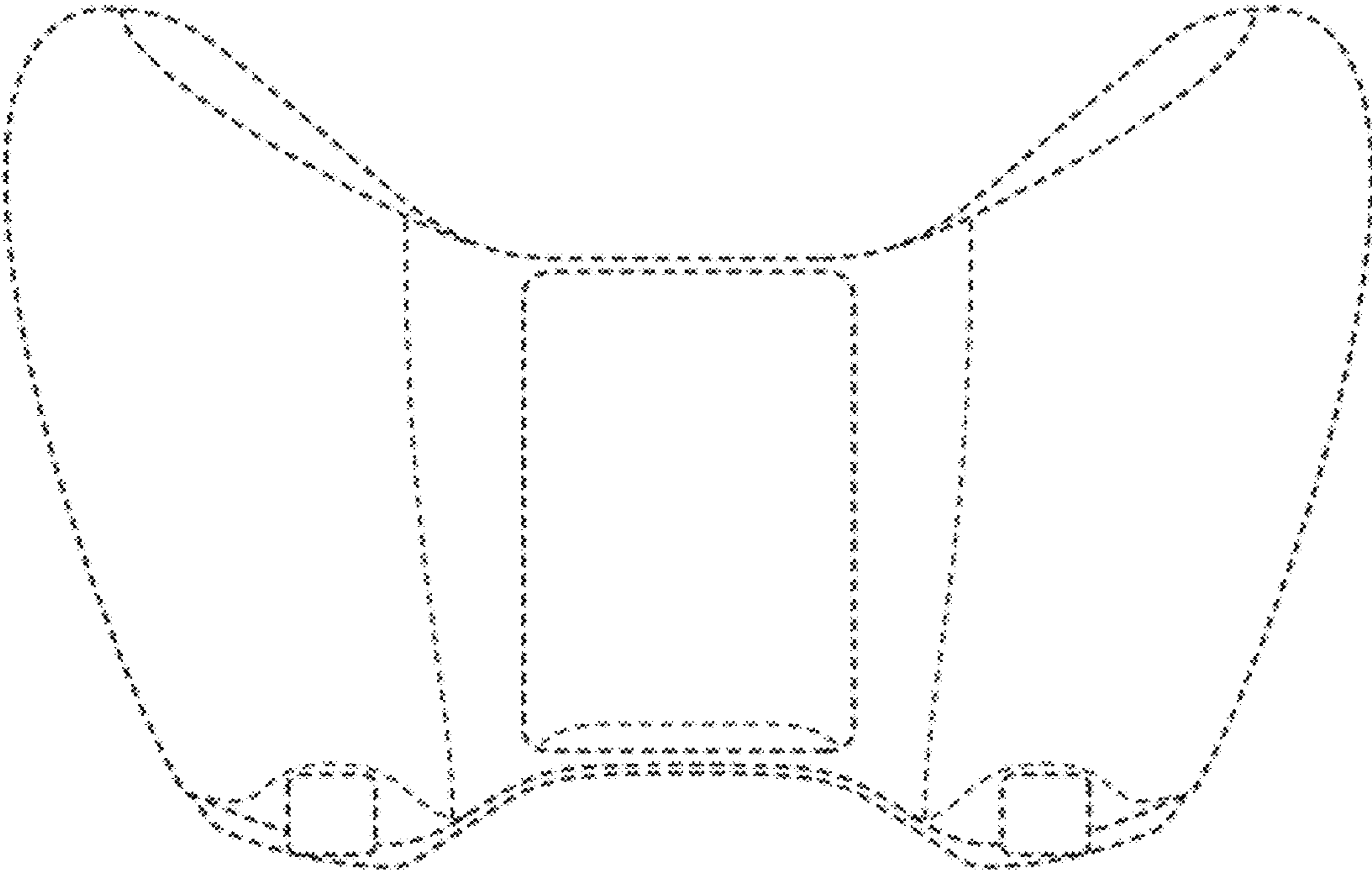


FIG. 8

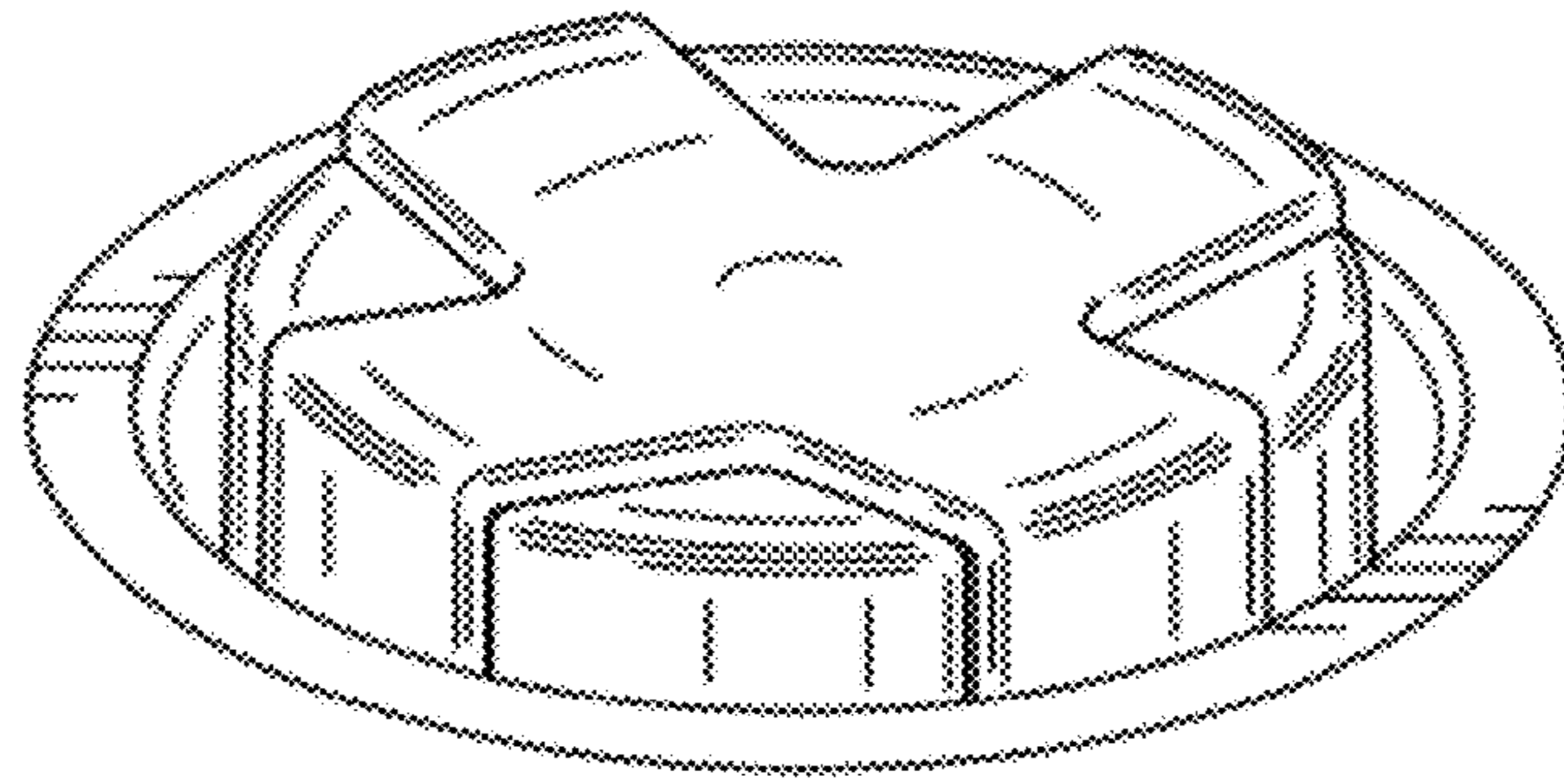


FIG. 9

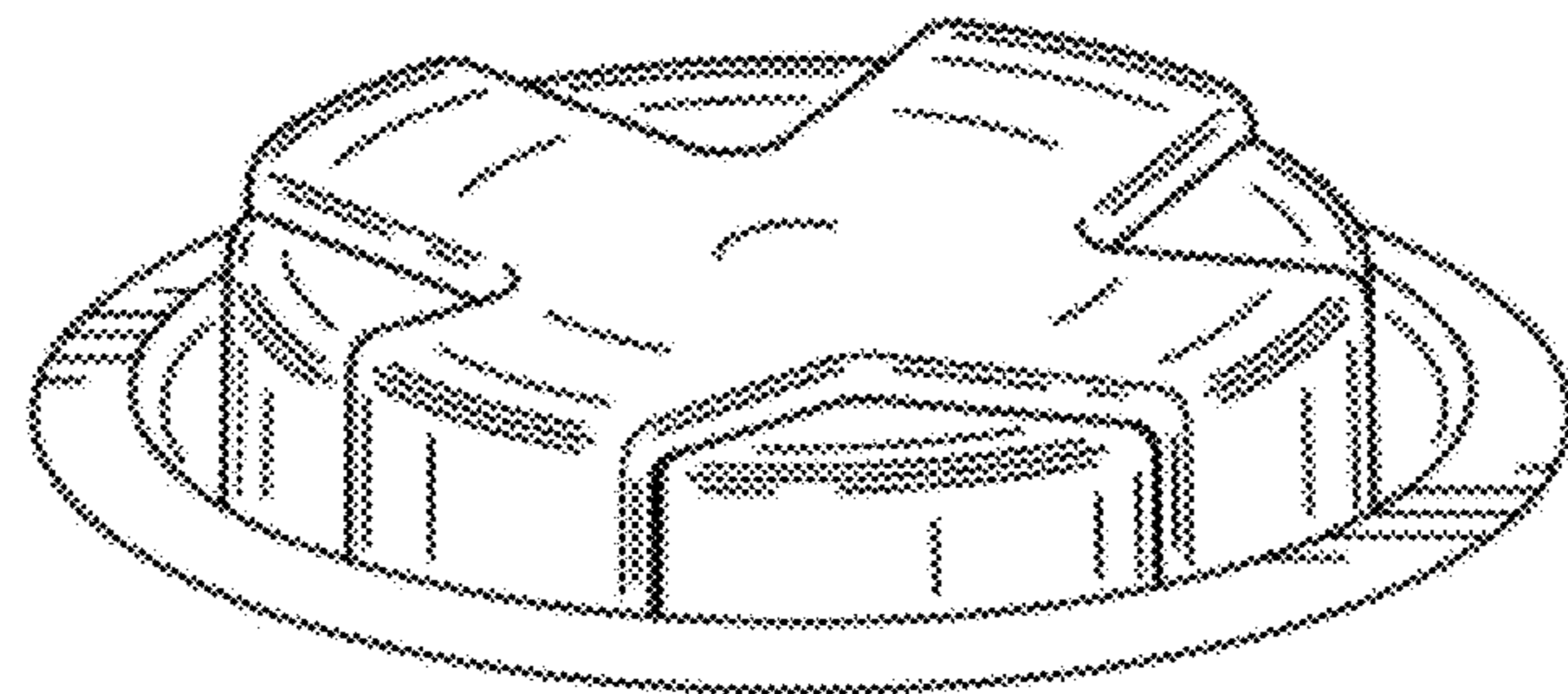


FIG. 10

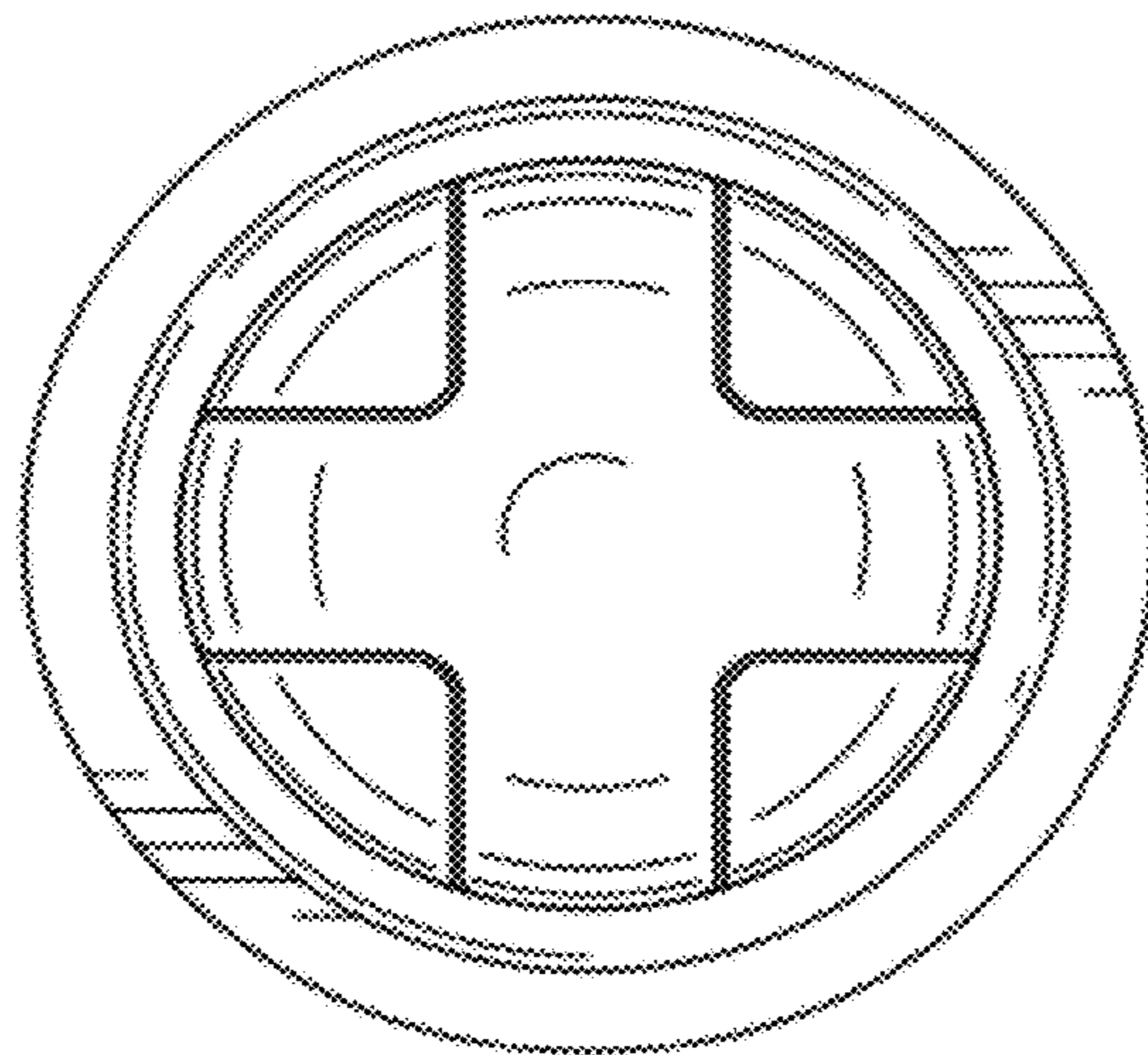


FIG. 11