



US00D658176S

(12) **United States Design Patent**  
**Lee et al.**

(10) **Patent No.:** **US D658,176 S**  
(45) **Date of Patent:** **\*\* Apr. 24, 2012**

(54) **MONITOR**

(75) Inventors: **Seung-Cheol Lee**, Seoul (KR);  
**Eui-Seok Kim**, Seongnam (KR)

(73) Assignee: **Samsung Electronics Co., Ltd.**, Suwon (KR)

(\*\*) Term: **14 Years**

(21) Appl. No.: **29/393,906**

(22) Filed: **Jun. 10, 2011**

(30) **Foreign Application Priority Data**

Feb. 21, 2011 (KR) ..... 30-2011-0006690

(51) **LOC (9) Cl.** ..... **14-02**

(52) **U.S. Cl.** ..... **D14/374**

(58) **Field of Classification Search** ..... D14/371-375,  
D14/125-129, 336, 337; 341/12; 345/104,  
345/156, 168, 173; 348/180, 184, 325, 739;  
349/1, 2, 11, 62; 361/679.05 -679.07, 679.21;  
D6/300, 308

See application file for complete search history.

(56) **References Cited**

**U.S. PATENT DOCUMENTS**

D439,224 S 3/2001 Kita  
D472,897 S 4/2003 Park  
D494,941 S 8/2004 Kim  
D499,386 S 12/2004 Yang  
D512,424 S 12/2005 Kim  
D521,511 S 5/2006 Kim et al.  
D521,996 S 5/2006 Kim et al.  
D521,997 S 5/2006 Park et al.  
D524,313 S 7/2006 Boo et al.  
D527,003 S 8/2006 Kim  
D528,115 S 9/2006 Yoon  
D528,116 S 9/2006 Won  
D529,910 S 10/2006 Ota  
D529,911 S 10/2006 Yamashiro  
D532,764 S 11/2006 Kim et al.  
D533,848 S 12/2006 Lee et al.  
D534,510 S 1/2007 Kang et al.

D534,883 S 1/2007 Kang et al.  
D535,267 S 1/2007 Kang et al.  
D536,677 S 2/2007 Kim et al.  
D537,079 S 2/2007 Park  
D539,242 S 3/2007 Lee  
D539,281 S 3/2007 Kim  
D539,767 S 4/2007 Kang  
D540,277 S 4/2007 Kim  
D541,236 S 4/2007 Kim et al.  
D541,763 S 5/2007 Kim  
D541,766 S 5/2007 Kita  
D541,774 S 5/2007 Kita  
D541,775 S 5/2007 Kita  
D542,746 S 5/2007 Kim

(Continued)

**FOREIGN PATENT DOCUMENTS**

KR 3004230930000 8/2006

(Continued)

**OTHER PUBLICATIONS**

U.S. Appl. No. 29/393,908, Applicant: Lee, et al., filed Jun. 10, 2011 entitled Monitor.

(Continued)

*Primary Examiner* — Freda S Nunn

(74) *Attorney, Agent, or Firm* — Wood, Herron & Evans, LLP

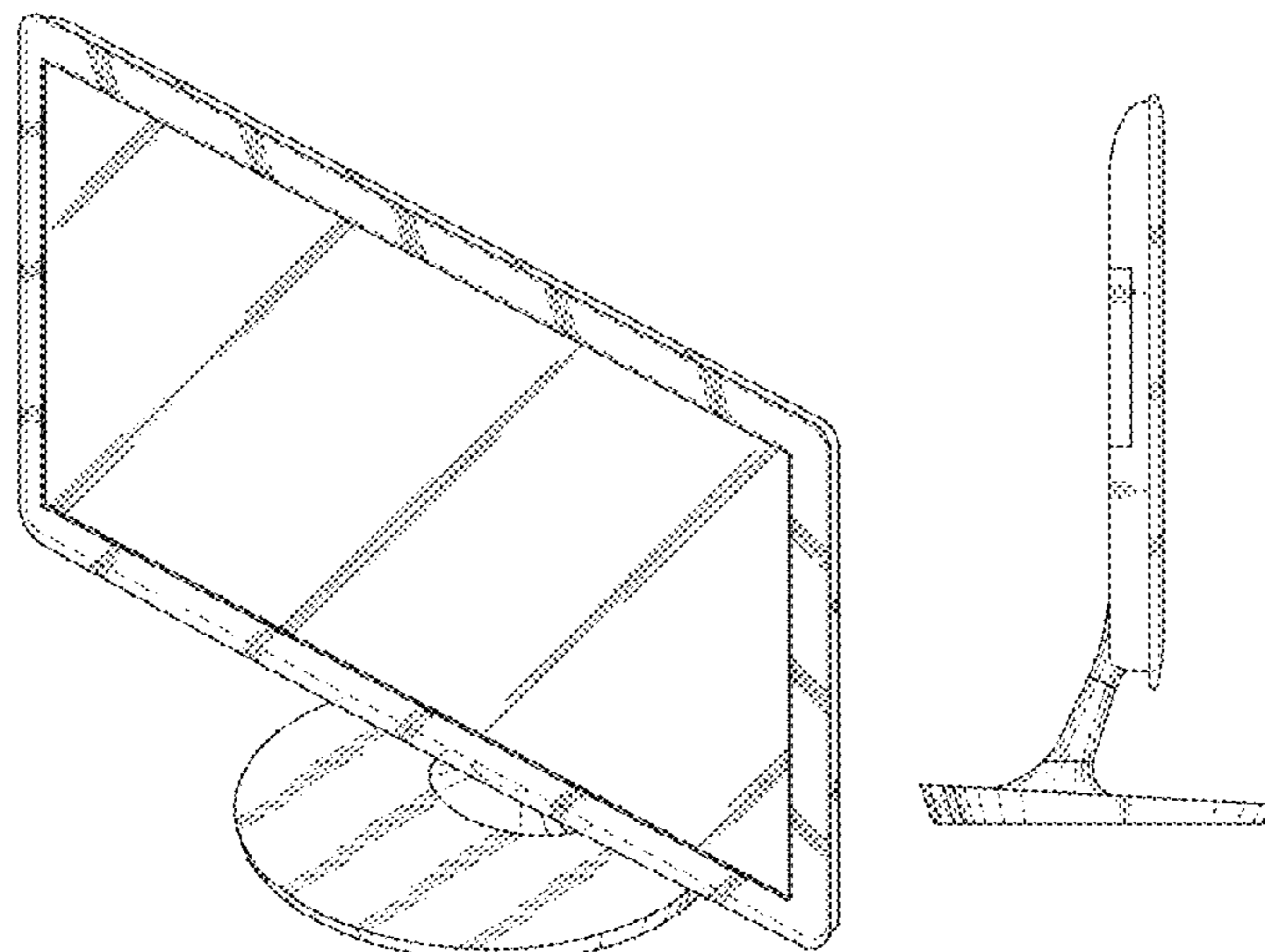
(57) **CLAIM**

The ornamental design for monitor, as shown and described.

**DESCRIPTION**

FIG. 1 is a top front perspective view of a monitor showing our new design;  
FIG. 2 is a front elevational view thereof;  
FIG. 3 is a rear elevational view thereof;  
FIG. 4 is a left side elevational view thereof;  
FIG. 5 is a right side elevational view thereof;  
FIG. 6 is a top plan view thereof; and,  
FIG. 7 is a bottom plan view thereof.

**1 Claim, 5 Drawing Sheets**



U.S. PATENT DOCUMENTS

D542,747 S 5/2007 Kim  
 D542,748 S 5/2007 Kim et al.  
 D542,749 S 5/2007 Kim et al.  
 D543,163 S 5/2007 Yang  
 D543,164 S 5/2007 Yang  
 D544,849 S 6/2007 Yang  
 D545,312 S 6/2007 Kim  
 D545,313 S 6/2007 Kim  
 D545,314 S 6/2007 Kim  
 D545,315 S 6/2007 Kim  
 D545,316 S 6/2007 Kim  
 D545,776 S 7/2007 Kwon  
 D545,778 S 7/2007 Isshiki  
 D545,820 S 7/2007 Won et al.  
 D546,331 S 7/2007 Kim  
 D547,276 S 7/2007 Yang  
 D547,313 S 7/2007 Kim  
 D548,205 S 8/2007 Kim  
 D548,206 S 8/2007 Han  
 D548,708 S 8/2007 Park  
 D551,186 S 9/2007 Yang et al.  
 D551,194 S 9/2007 Kim et al.  
 D551,636 S 9/2007 Kang et al.  
 D552,090 S 10/2007 Kita  
 D552,509 S 10/2007 Walkup et al.  
 D553,108 S 10/2007 Won et al.  
 D554,601 S 11/2007 Won et al.  
 D556,159 S 11/2007 Park et al.  
 D556,160 S 11/2007 Lee et al.  
 D556,709 S 12/2007 Kim et al.  
 D556,755 S 12/2007 Lee et al.  
 D556,756 S 12/2007 Kataoka et al.  
 D556,757 S 12/2007 Kim et al.  
 D558,201 S 12/2007 Park et al.  
 D558,696 S 1/2008 Park et al.  
 D561,130 S 2/2008 Won et al.  
 D561,134 S 2/2008 Kim et al.  
 D561,135 S 2/2008 Won et al.  
 D561,136 S 2/2008 Won et al.  
 D562,788 S 2/2008 Asanuma et al.  
 7,336,478 B2 2/2008 Jang  
 D564,472 S 3/2008 Won et al.  
 D565,521 S 4/2008 Yang et al.  
 D567,198 S 4/2008 Yang et al.  
 D567,199 S 4/2008 Kim et al.  
 D569,818 S 5/2008 Kim et al.  
 D570,841 S 6/2008 Kim et al.  
 D572,680 S 7/2008 Lee et al.  
 D572,682 S 7/2008 Won et al.  
 D573,118 S 7/2008 Yang et al.  
 D573,559 S 7/2008 Kim et al.  
 D575,247 S 8/2008 Lee  
 D576,622 S 9/2008 Park  
 D579,889 S 11/2008 Noh  
 D582,365 S 12/2008 Yang et al.  
 D582,366 S 12/2008 Yang et al.  
 D582,867 S 12/2008 Song et al.  
 D584,258 S 1/2009 Yang et al.  
 D584,309 S 1/2009 Kim et al.  
 D584,310 S 1/2009 Kim et al.  
 D584,729 S 1/2009 Kim et al.  
 D586,811 S 2/2009 Kim et al.  
 D587,712 S 3/2009 Park et al.  
 D588,117 S 3/2009 Arai  
 D592,621 S 5/2009 Han  
 D593,974 S 6/2009 Yang

D597,041 S 7/2009 Cho et al.  
 D597,977 S 8/2009 Won et al.  
 D597,978 S 8/2009 Won et al.  
 D601,104 S 9/2009 Kim  
 D603,816 S 11/2009 Kim et al.  
 D603,817 S 11/2009 Kim et al.  
 D605,148 S 12/2009 Boo et al.  
 D605,149 S 12/2009 Kim et al.  
 D605,160 S 12/2009 Eaton  
 D607,426 S 1/2010 Yang  
 D608,311 S 1/2010 Lee et al.  
 D608,314 S 1/2010 Boo et al.  
 D609,658 S 2/2010 Kim et al.  
 D610,143 S 2/2010 Park et al.  
 D614,596 S 4/2010 Won et al.  
 D615,509 S 5/2010 Song et al.  
 D615,510 S 5/2010 Won et al.  
 D615,511 S 5/2010 Shin et al.  
 D615,938 S 5/2010 Song et al.  
 D616,842 S 6/2010 Kim  
 D616,884 S 6/2010 Kim et al.  
 D619,979 S 7/2010 Lee et al.  
 D620,461 S 7/2010 Han et al.  
 D620,901 S 8/2010 Won et al.  
 D620,902 S 8/2010 Kim et al.  
 D620,903 S 8/2010 Song et al.  
 D622,235 S 8/2010 Lee et al.  
 D625,278 S 10/2010 Kim et al.  
 D626,101 S 10/2010 Kim et al.  
 D630,209 S 1/2011 Lee et al.  
 D632,291 S 2/2011 Park  
 D634,323 S 3/2011 Park et al.  
 D634,745 S 3/2011 Park et al.  
 D635,140 S \* 3/2011 Tsai et al. .... D14/374  
 D635,569 S 4/2011 Park  
 D635,975 S 4/2011 Seo et al.  
 D635,976 S 4/2011 Lee et al.

FOREIGN PATENT DOCUMENTS

KR 3004230920001 10/2006  
 KR 3005845050000 1/2011  
 KR 3006076840000 8/2011  
 KR 3006077890000 8/2011  
 KR 3006077900000 8/2011  
 KR 3006080880000 8/2011  
 KR 3006084850000 8/2011

OTHER PUBLICATIONS

U.S. Appl. No. 29/308,894; Applicant: Eui-Seok Kim, et al.; filed Jul. 14, 2008; Entitled LCD Monitor.  
 U.S. Appl. No. 29/393,955; Applicant: Lee, Seung-Cheol, et al.; filed Jun. 10, 2011; Entitled: Monitor for Computer.  
 U.S. Appl. No. 29/393,978; Applicant: Kim, Eui-Seok, et al.; filed Jun. 10, 2011; Entitled: Monitor for Computer.  
 U.S. Appl. No. 29/393,894; Applicant: Lee, Yong-Joo, et al.; filed Jun. 10, 2011; Entitled: Monitor for Computer.  
 U.S. Appl. No. 29/393,889; Applicant: Kim, Eui-Seok, et al.; filed Jun. 10, 2011; Entitled: Monitor for Computer.  
 U.S. Appl. No. 29/393,886; Applicant: Lee, Yong-Joo, et al.; filed Jun. 10, 2011; Entitled: Monitor for Computer.  
 U.S. Appl. No. 29/397,048; Applicant: Lee, Yong-Joo, et al.; filed Jul. 11, 2011; Entitled: Monitor for Computer.  
 U.S. Appl. No. 29/397,053; Applicant: Lee, Yong-Joo, et al.; filed Jul. 11, 2011; Entitled: Monitor for Computer.

\* cited by examiner



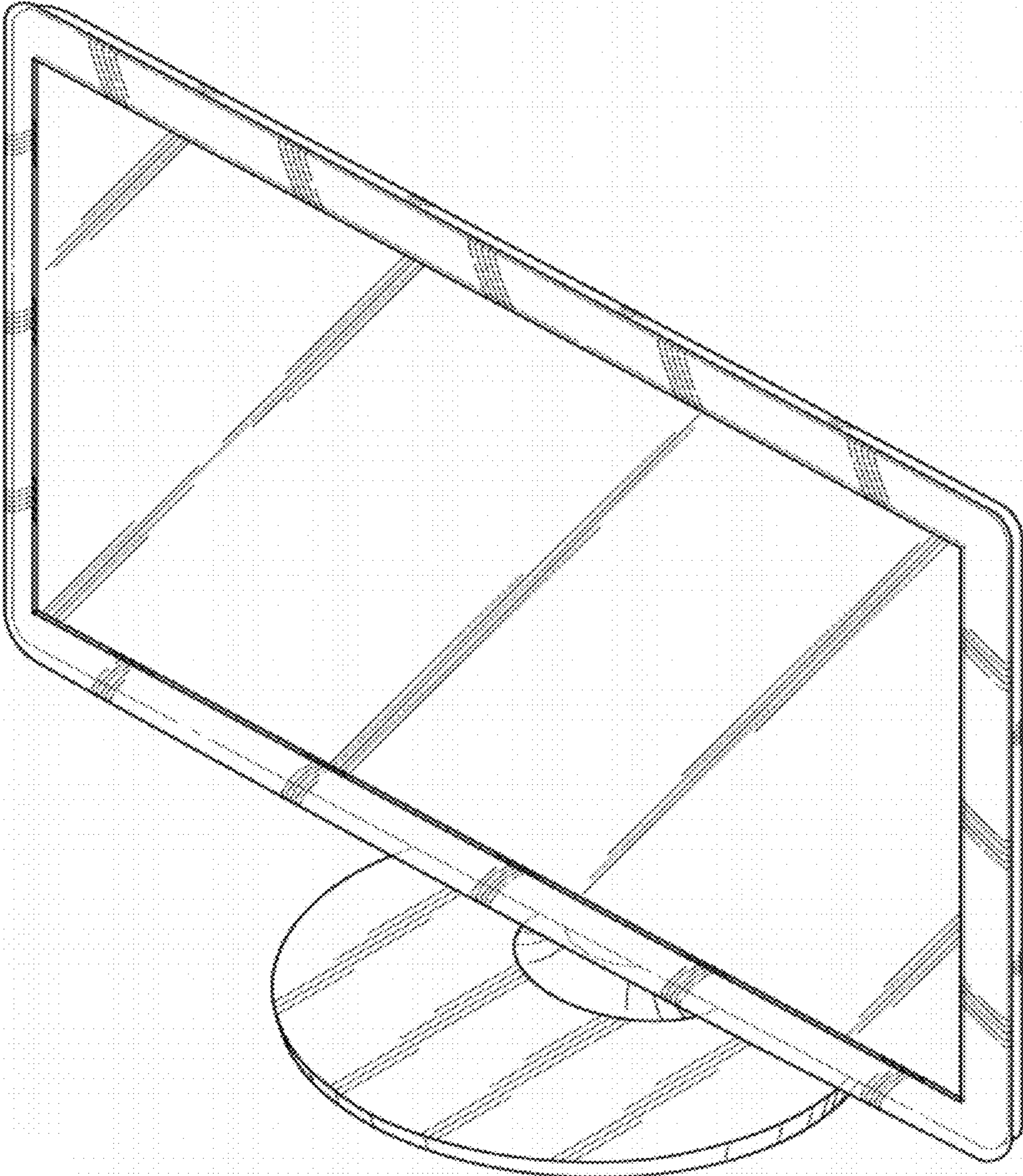


FIG. 1

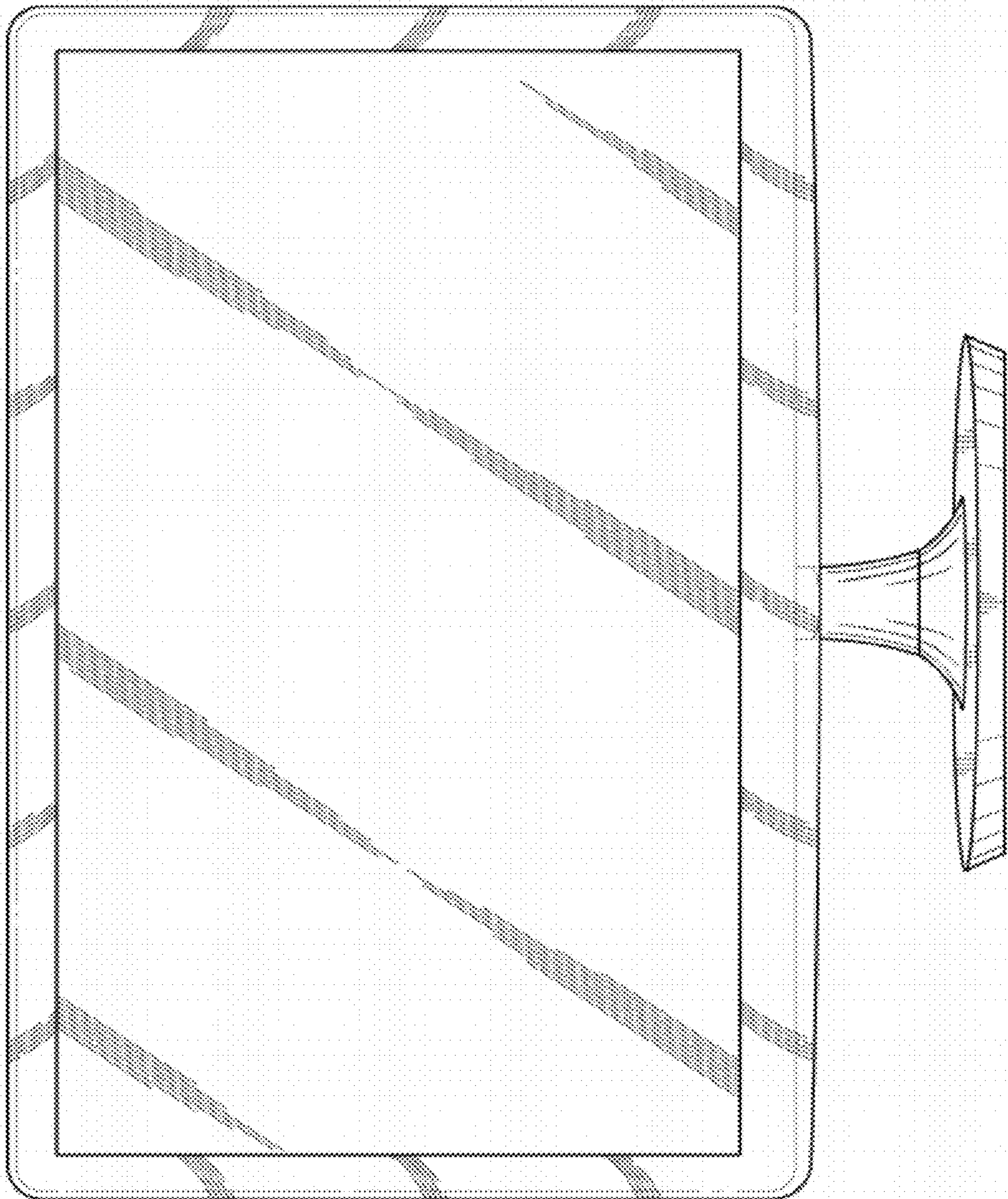


FIG.2



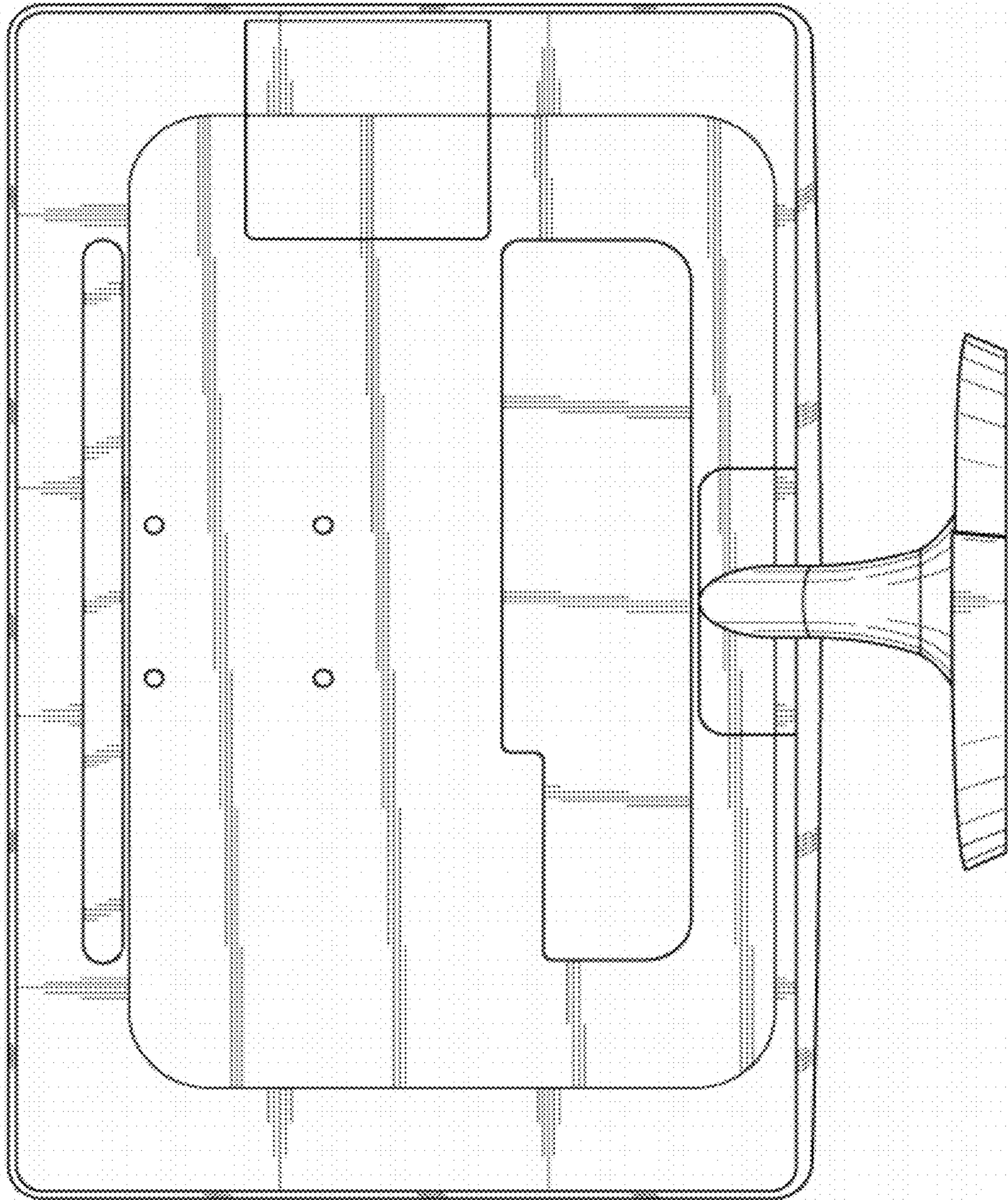


FIG.3

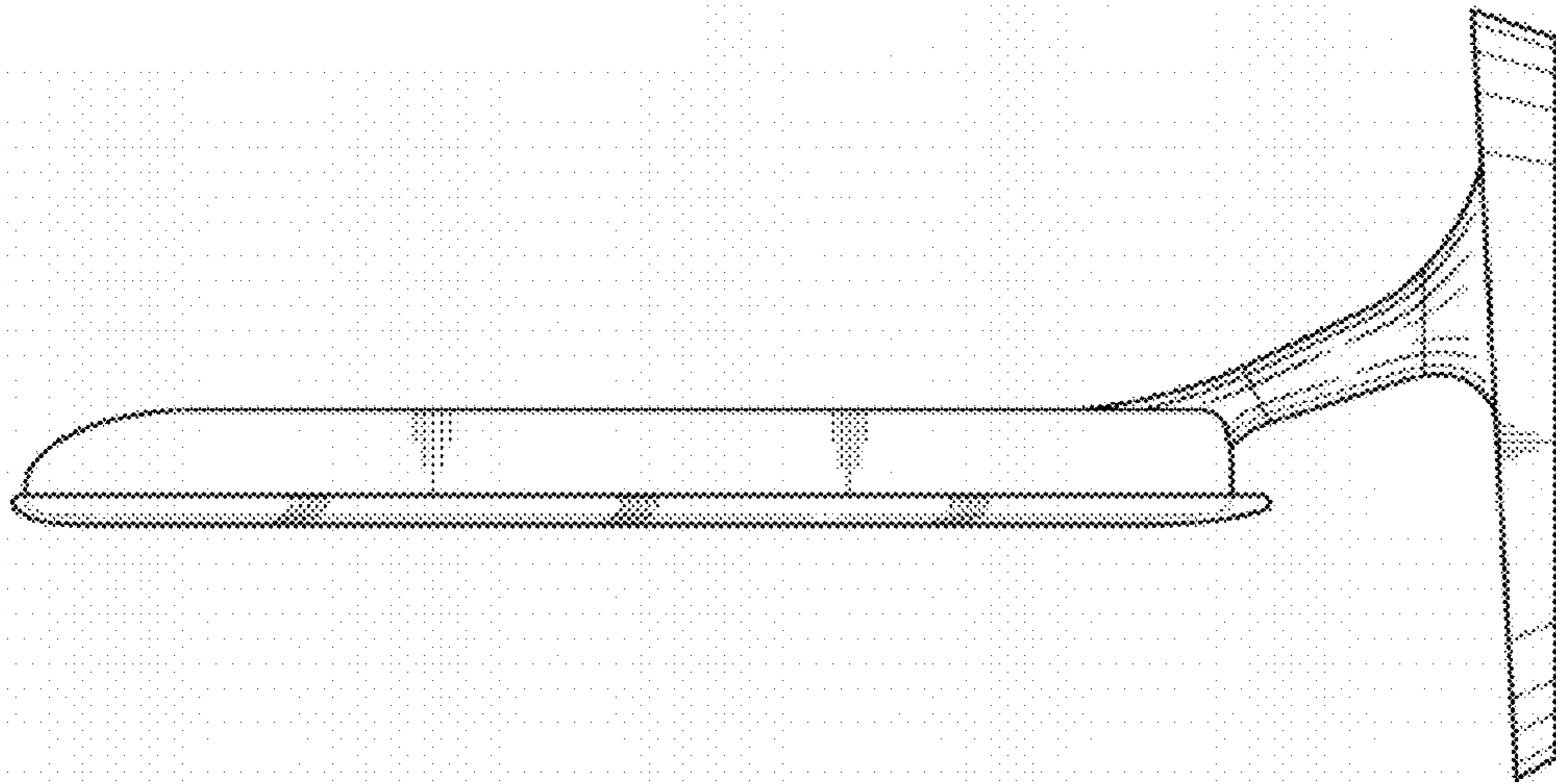


FIG.5

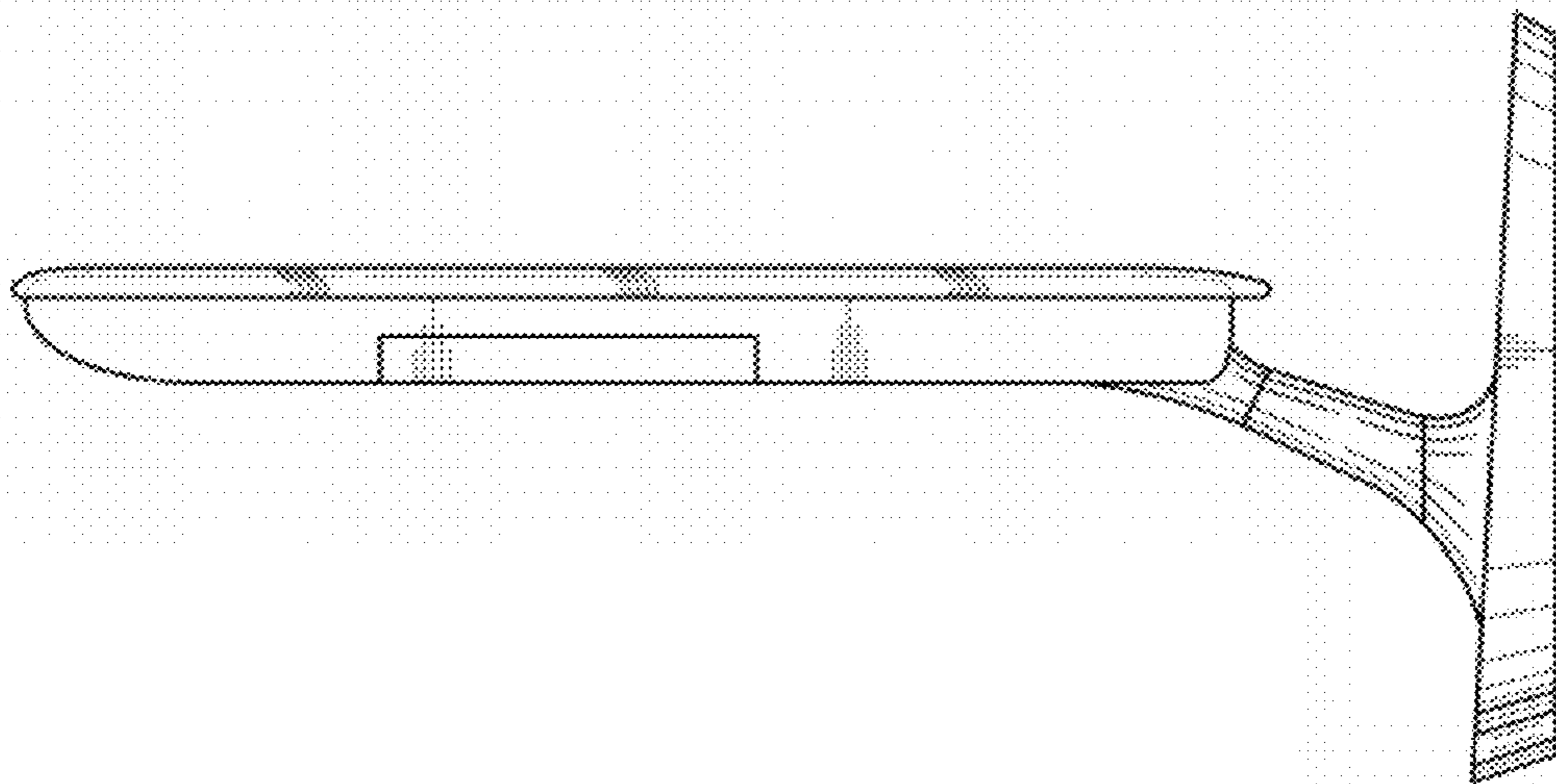


FIG.4

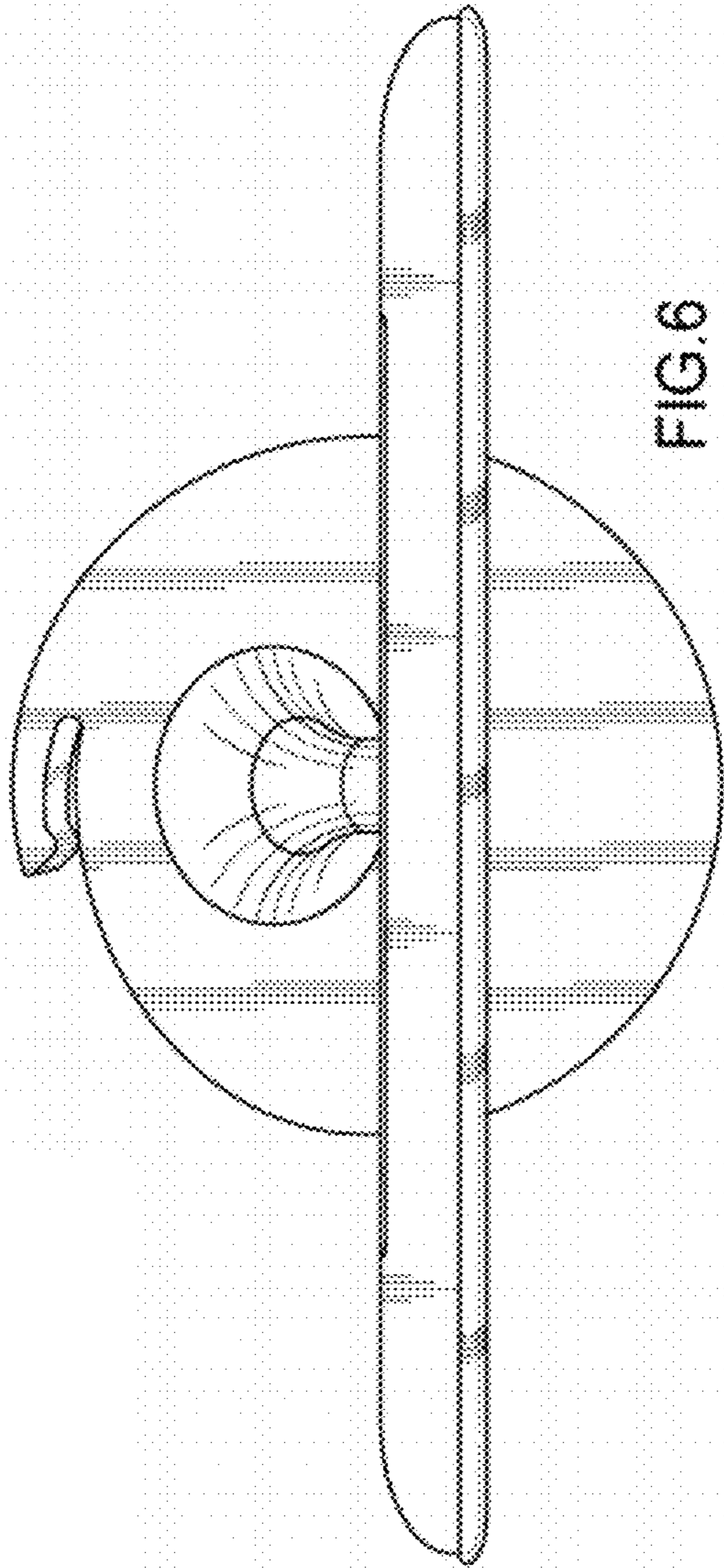


FIG. 6

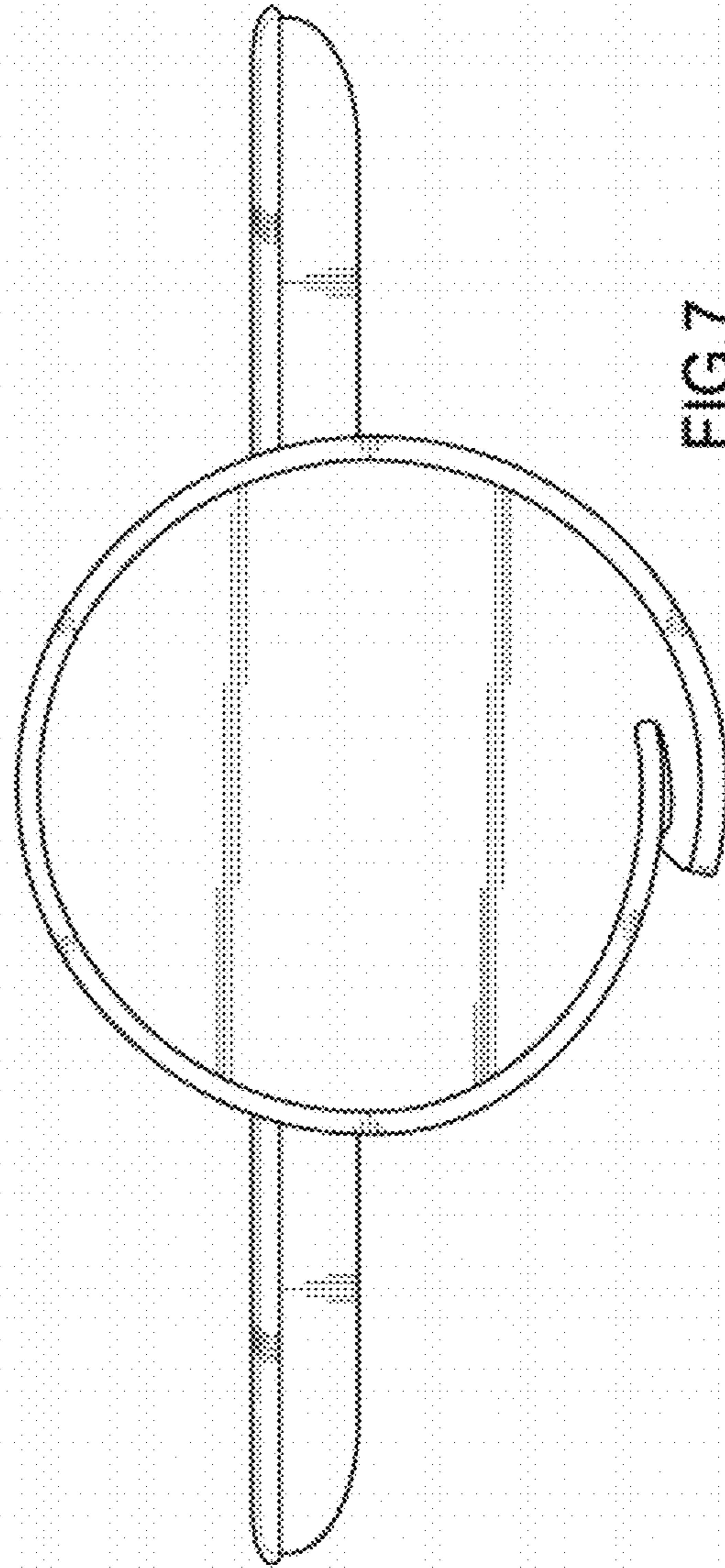


FIG. 7