



US00D658175S

(12) **United States Design Patent**  
**Goetzen**

(10) **Patent No.:** **US D658,175 S**  
(45) **Date of Patent:** **\*\* Apr. 24, 2012**

(54) **DISPLAY DEVICE**  
(75) Inventor: **Mirko Goetzen**, Surrey (GB)  
(73) Assignee: **Sony Corporation**, Tokyo (JP)  
(\*\*) Term: **14 Years**  
(21) Appl. No.: **29/371,329**  
(22) Filed: **Jan. 4, 2011**  
(51) **LOC (9) Cl.** ..... **14-02**  
(52) **U.S. Cl.** ..... **D14/371**  
(58) **Field of Classification Search** ..... D14/168,  
D14/171, 188, 371-376, 125-129, 336, 337,  
D14/341, 496, 500; D6/300, 308, 311; D19/21,  
D19/25; 341/12; 345/104, 156, 173, 174,  
345/901-905; 348/180, 184, 325, 739; 361/679.01,  
361/679.02, 679.21-679.23  
See application file for complete search history.

D577,206 S 9/2008 Chang et al.  
D593,091 S \* 5/2009 Behar et al. .... D14/371  
D597,103 S \* 7/2009 Xiao et al. .... D14/500  
D600,455 S \* 9/2009 Nell ..... D6/308  
D626,342 S \* 11/2010 Chadwick ..... D6/308

**FOREIGN PATENT DOCUMENTS**

JP D1368954 S 8/2009  
JP D1378818 S 12/2009  
JP D1386744 S 4/2010  
WO WO-001205397-0001 S 4/2010  
WO WO-001205397-0002 S 4/2010  
WO WO-001205397-0003 S 4/2010

\* cited by examiner

*Primary Examiner* — Freda S Nunn

(74) *Attorney, Agent, or Firm* — Rader, Fishman & Grauer  
PLLC

(57) **CLAIM**

The ornamental design for a display device, as shown and described.

(56) **References Cited**

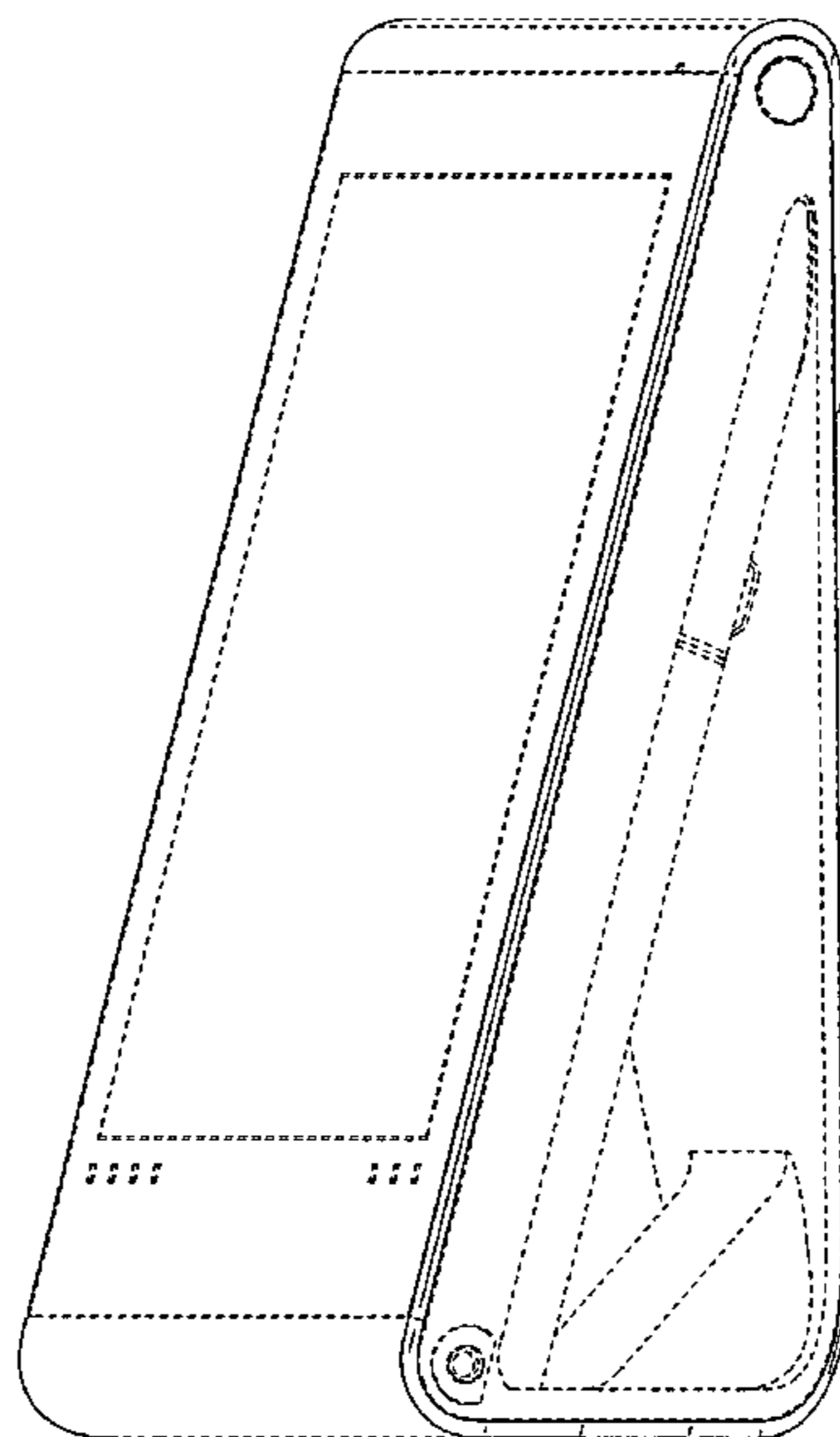
**U.S. PATENT DOCUMENTS**

D292,715 S \* 11/1987 Hill ..... D19/25  
D427,237 S \* 6/2000 Chu et al. .... D19/21  
D440,550 S 4/2001 Nakano  
D445,098 S 7/2001 Matsuoka et al.  
D452,963 S 1/2002 Suzuki  
D455,129 S 4/2002 Niitsu  
D456,020 S 4/2002 Obata et al.  
D500,998 S 1/2005 Inoue  
D501,460 S 2/2005 Inoue  
D502,460 S 3/2005 Ueda et al.  
D512,978 S 12/2005 Ueda et al.  
D524,287 S 7/2006 Hibi  
D545,787 S 7/2007 Nakamura  
D546,201 S \* 7/2007 Bhavnani ..... D10/2  
D550,177 S 9/2007 Yano  
D566,098 S \* 4/2008 Suzuki ..... D14/171  
D568,288 S 5/2008 Suzuki

**DESCRIPTION**

FIG. 1 is a front, right perspective view of a display device showing my new design;  
FIG. 2 is a rear, left perspective view thereof;  
FIG. 3 is a front, top, left perspective view thereof;  
FIG. 4 is a front elevational view thereof;  
FIG. 5 is a rear elevational view thereof;  
FIG. 6 is a left side elevational view thereof;  
FIG. 7 is a right side elevational view thereof;  
FIG. 8 is a top plan view thereof; and,  
FIG. 9 is a bottom plan view thereof.  
Portions shown as broken lines are for illustrative purposes only and form no part of the claimed design.

**1 Claim, 7 Drawing Sheets**



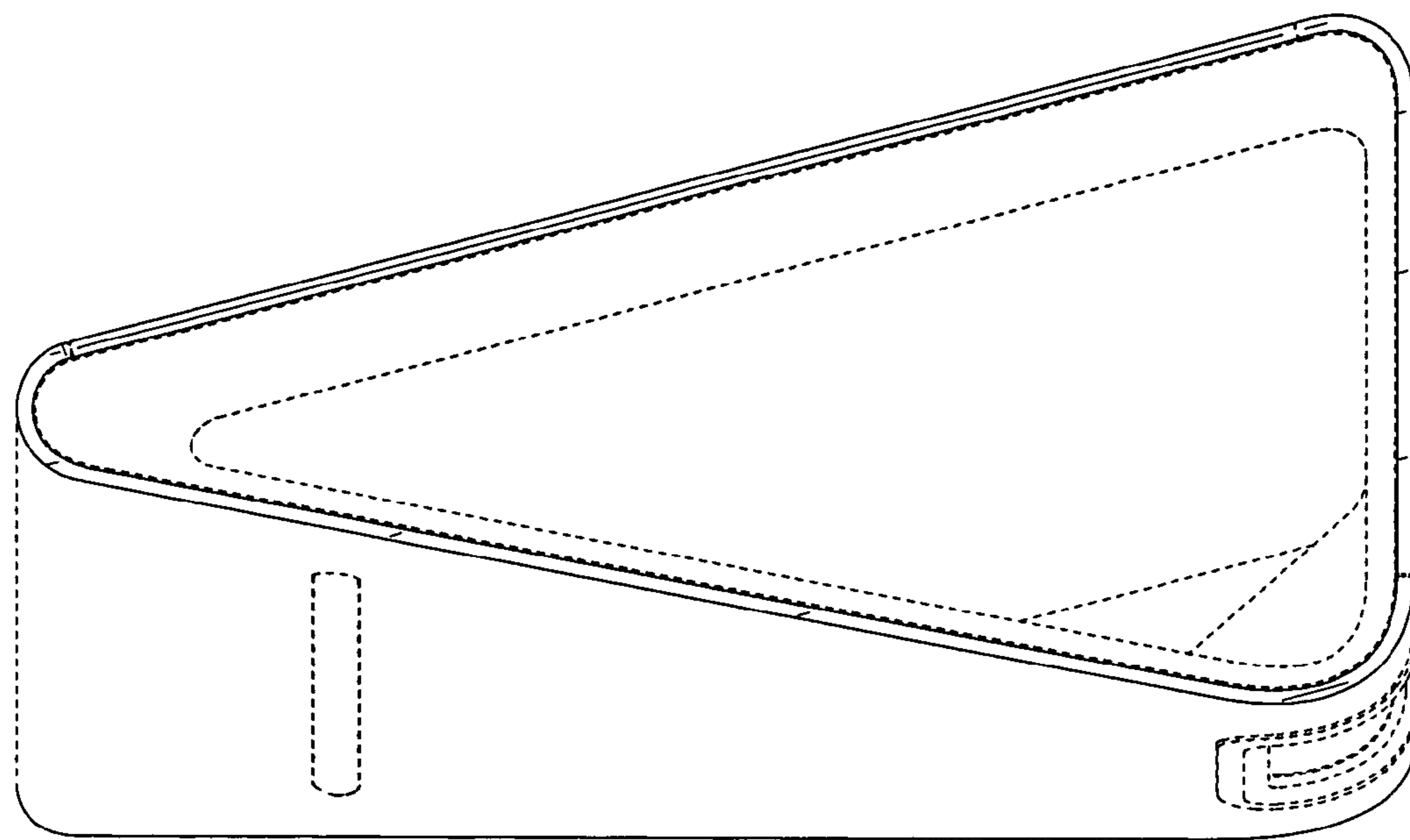


FIG. 2

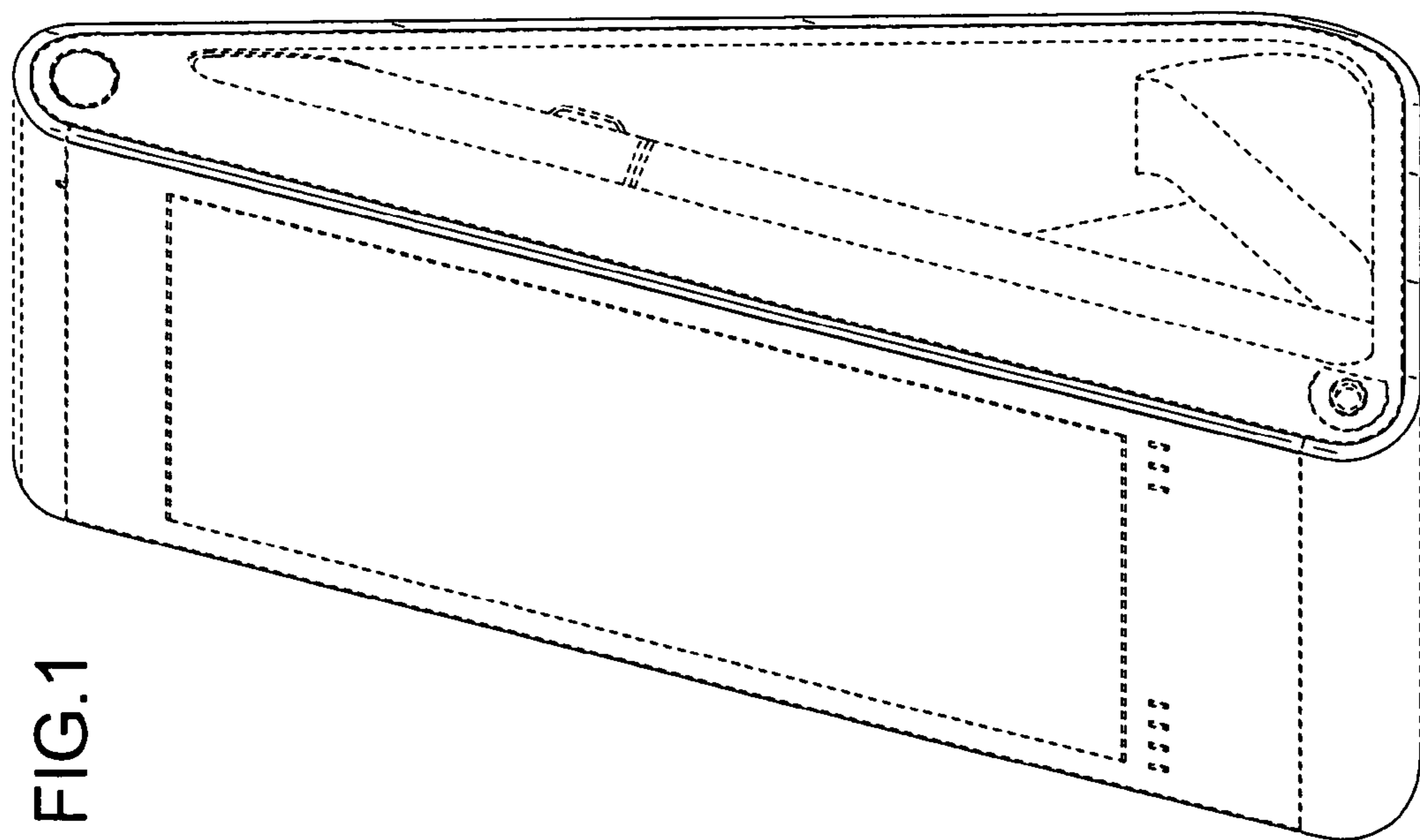


FIG. 1

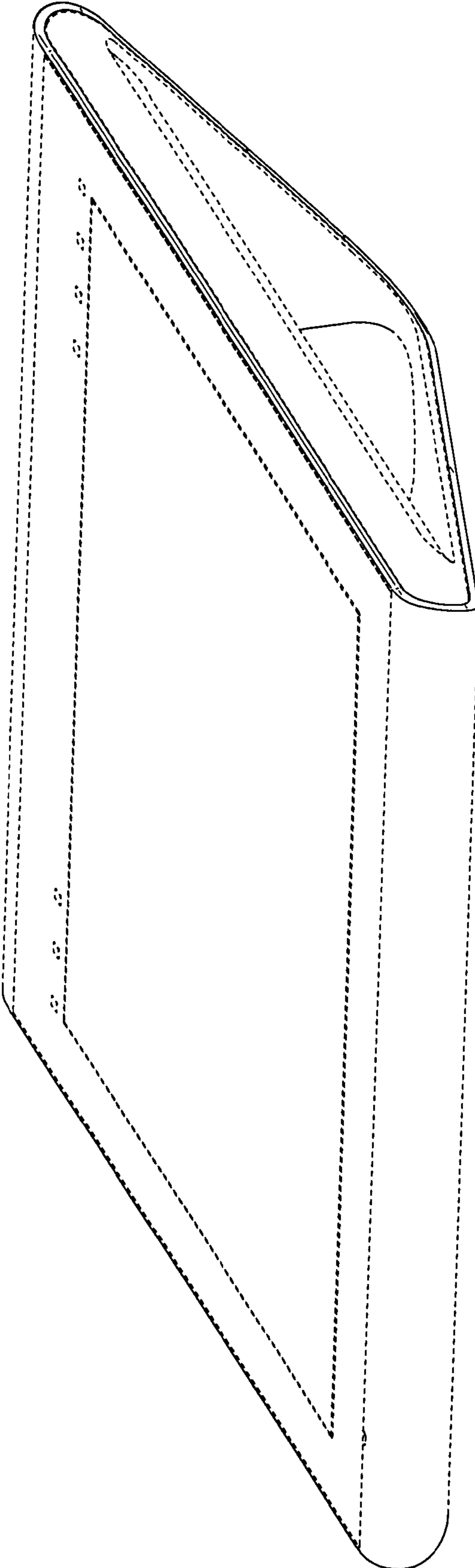


FIG.3

FIG.4

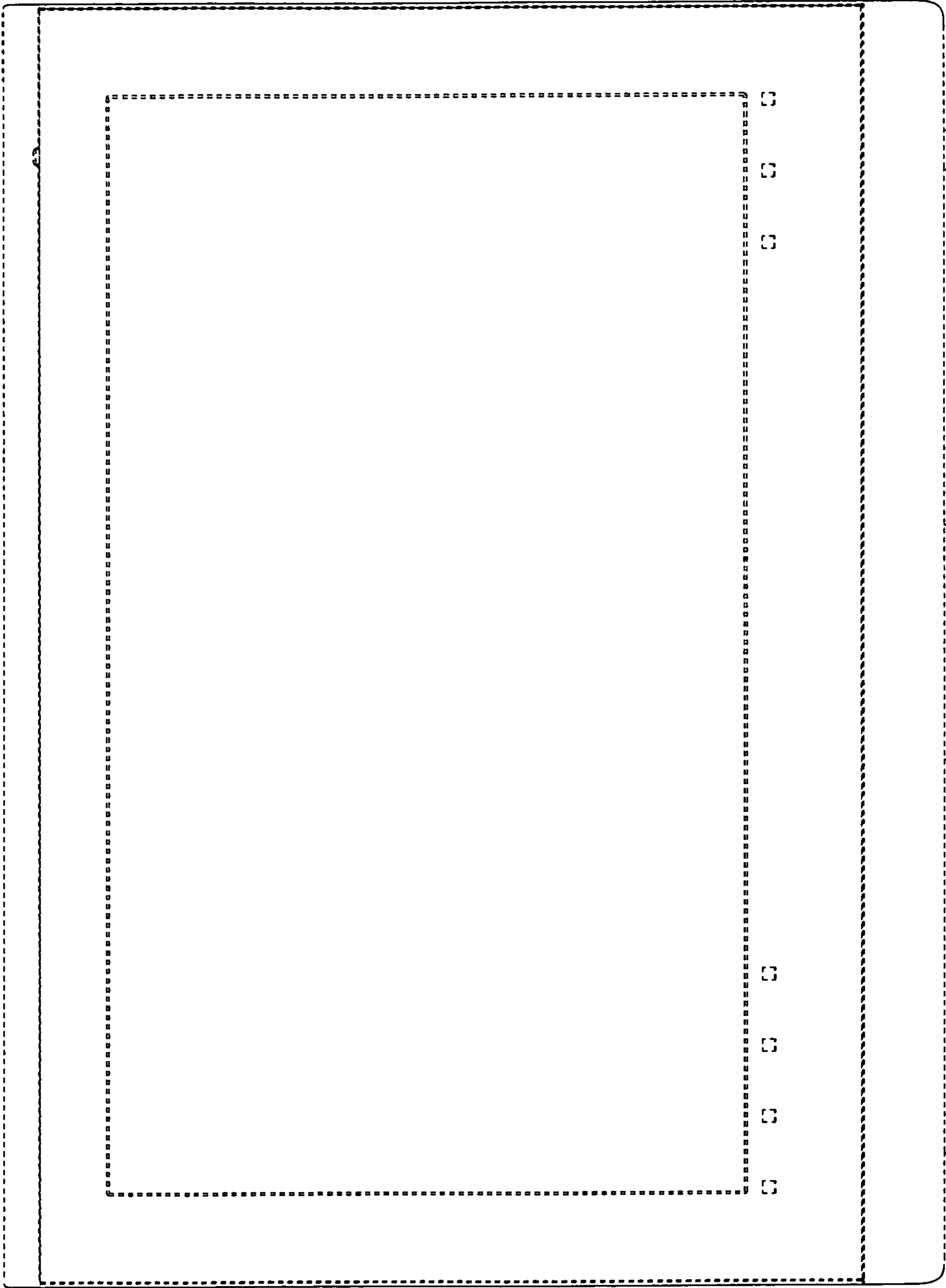
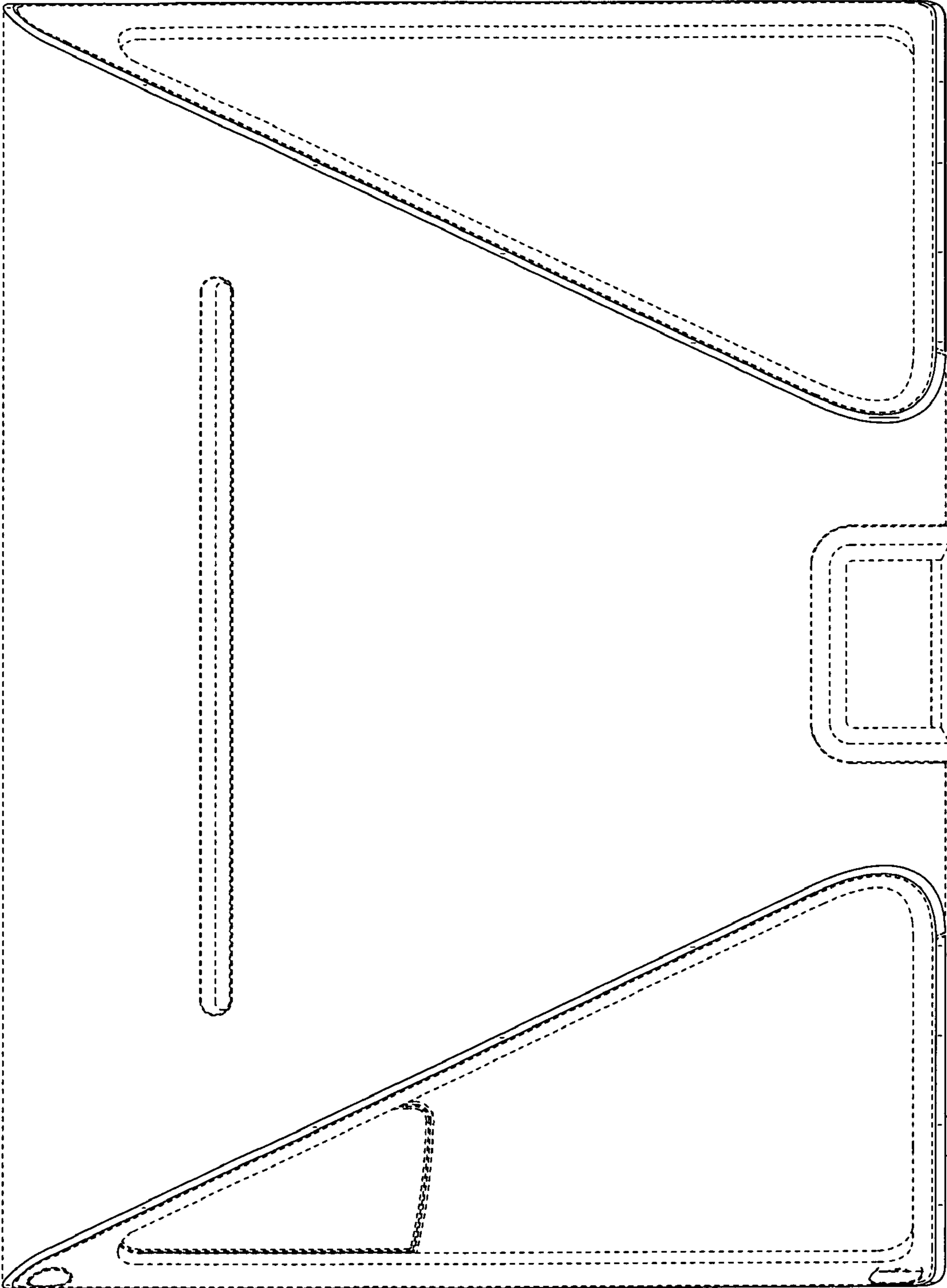


FIG.5



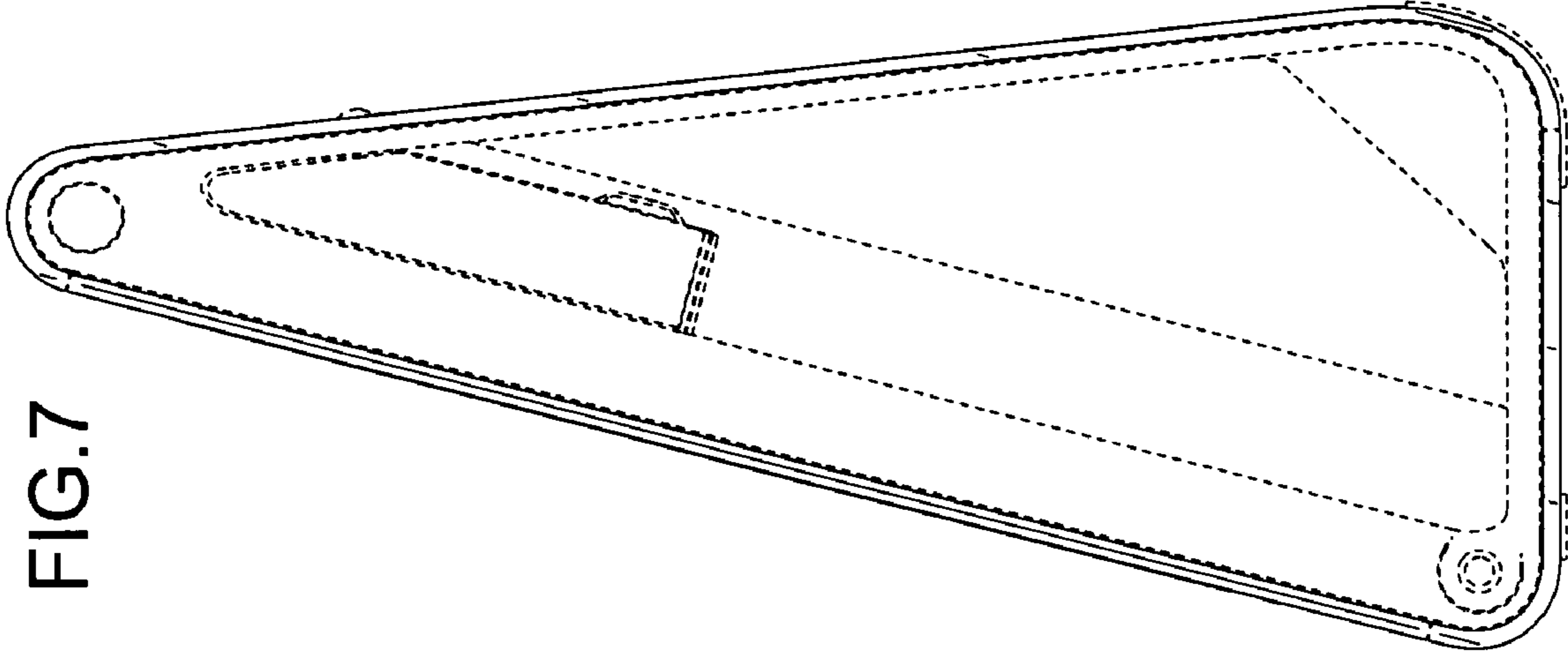


FIG. 7

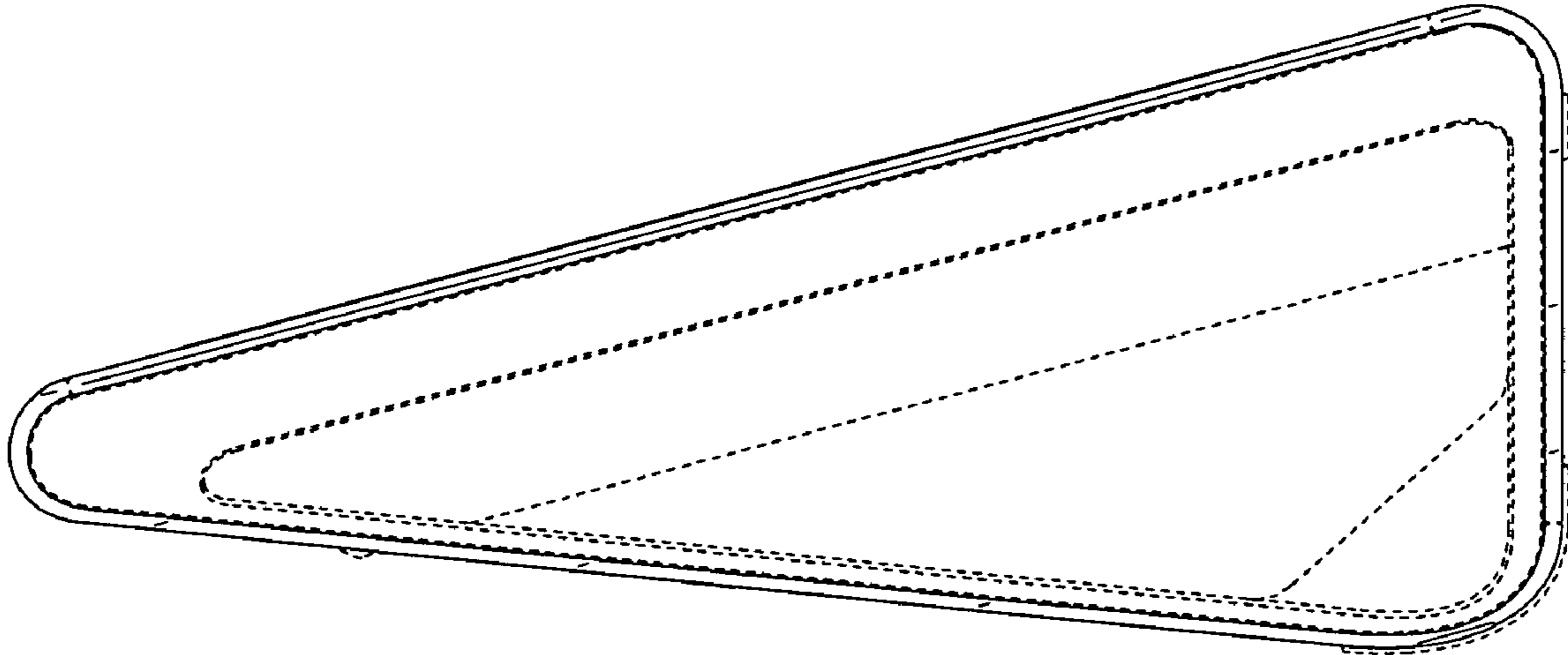


FIG. 6

FIG.8

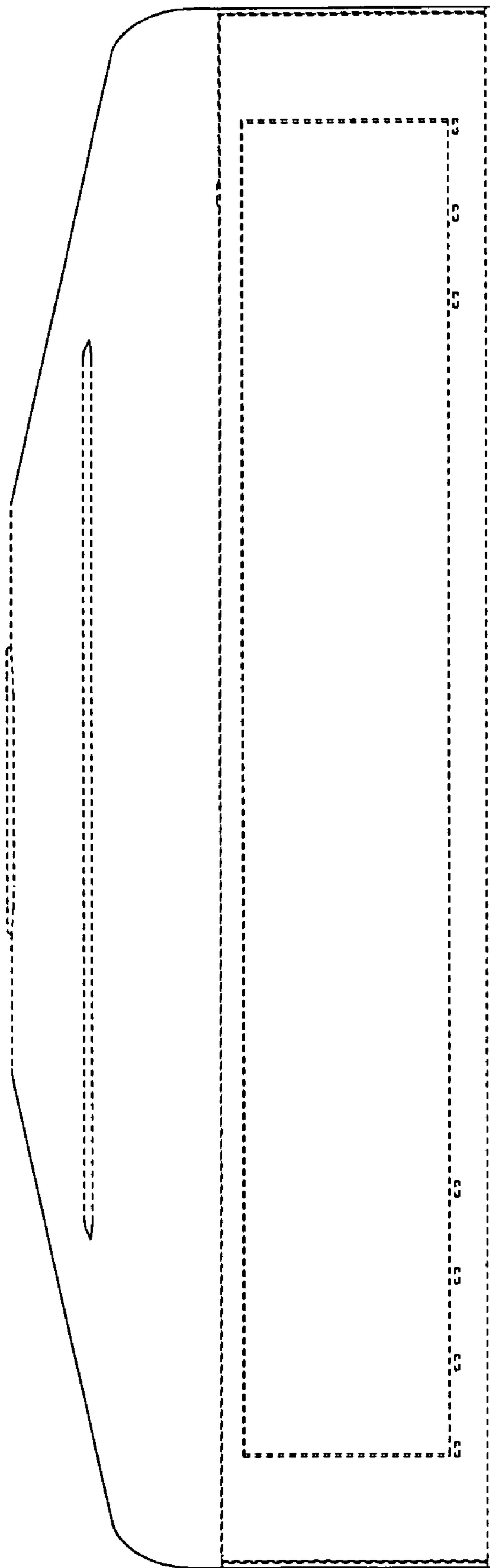


FIG.9

