

US00D658173S

(12) **United States Design Patent**  
**Kim**

(10) **Patent No.:** **US D658,173 S**  
(45) **Date of Patent:** **\*\* Apr. 24, 2012**

(54) **TERMINAL FOR PORTABLE MOBILE COMMUNICATION**

(75) Inventor: **Dong-Hun Kim**, Seoul (KR)

(73) Assignee: **Samsung Electronics Co., Ltd.**,  
Suwon-Si (KR)

(\*\*) Term: **14 Years**

(21) Appl. No.: **29/389,172**

(22) Filed: **Apr. 7, 2011**

(30) **Foreign Application Priority Data**

Jan. 3, 2011 (KR) ..... 30-2011-0000079

(51) **LOC (9) Cl.** ..... **14-02**

(52) **U.S. Cl.** ..... **D14/345**

(58) **Field of Classification Search** ..... D14/341-347,  
D14/137, 138, 138.1, 138 AA, 138 R, 138 AB,  
D14/138 AC, 138 AD, 138 C, 138 G, 496,  
D14/203.1, 203.3, 203.4, 203.5, 203.7, 426,  
D14/427, 432, 429, 129, 130, 420, 439-441,  
D14/448, 125, 147, 156, 218, 247-248, 250,  
D14/389, 388, 315-318; D10/65, 104; D18/6-7;  
D21/324, 329, 330; D19/26, 59, 60; 455/556.1,  
455/556.2, 566, 575.1, 90.3; 379/433.04,  
379/433.01, 433.06, 916; 345/169, 173,  
345/901, 905, 179; 361/679.09, 679.15,  
361/679.16, 679.26, 679.27, 679.3, 679.55,  
361/679.56, 680-686; 248/917-924; 348/373,  
348/376; 235/145 A, 145 R

See application file for complete search history.

(56) **References Cited**

**U.S. PATENT DOCUMENTS**

D324,673 S \* 3/1992 Iino ..... D14/315  
D366,280 S \* 1/1996 Henderson ..... D19/52  
D373,118 S \* 8/1996 Naruki ..... D14/342  
D391,987 S \* 3/1998 Jambhekar et al. .... D14/345

D399,526 S \* 10/1998 Brady ..... D14/345  
D445,787 S \* 7/2001 Francis ..... D14/345  
D494,166 S \* 8/2004 Kumagai et al. .... D14/345  
D509,247 S \* 9/2005 Nash ..... D19/52  
D517,545 S \* 3/2006 Buckel et al. .... D14/345  
D520,562 S \* 5/2006 Nash ..... D19/52  
D521,068 S \* 5/2006 Newbould ..... D19/52  
D543,585 S \* 5/2007 Jones ..... D19/21  
D588,126 S \* 3/2009 Chiang et al. .... D14/345  
D592,210 S \* 5/2009 McCarthy ..... D14/345  
D618,683 S \* 6/2010 Wilson et al. .... D14/371  
D626,124 S \* 10/2010 Chyan et al. .... D14/341

(Continued)

*Primary Examiner* — Barbara Fox

(74) *Attorney, Agent, or Firm* — Staas & Halsey LLP

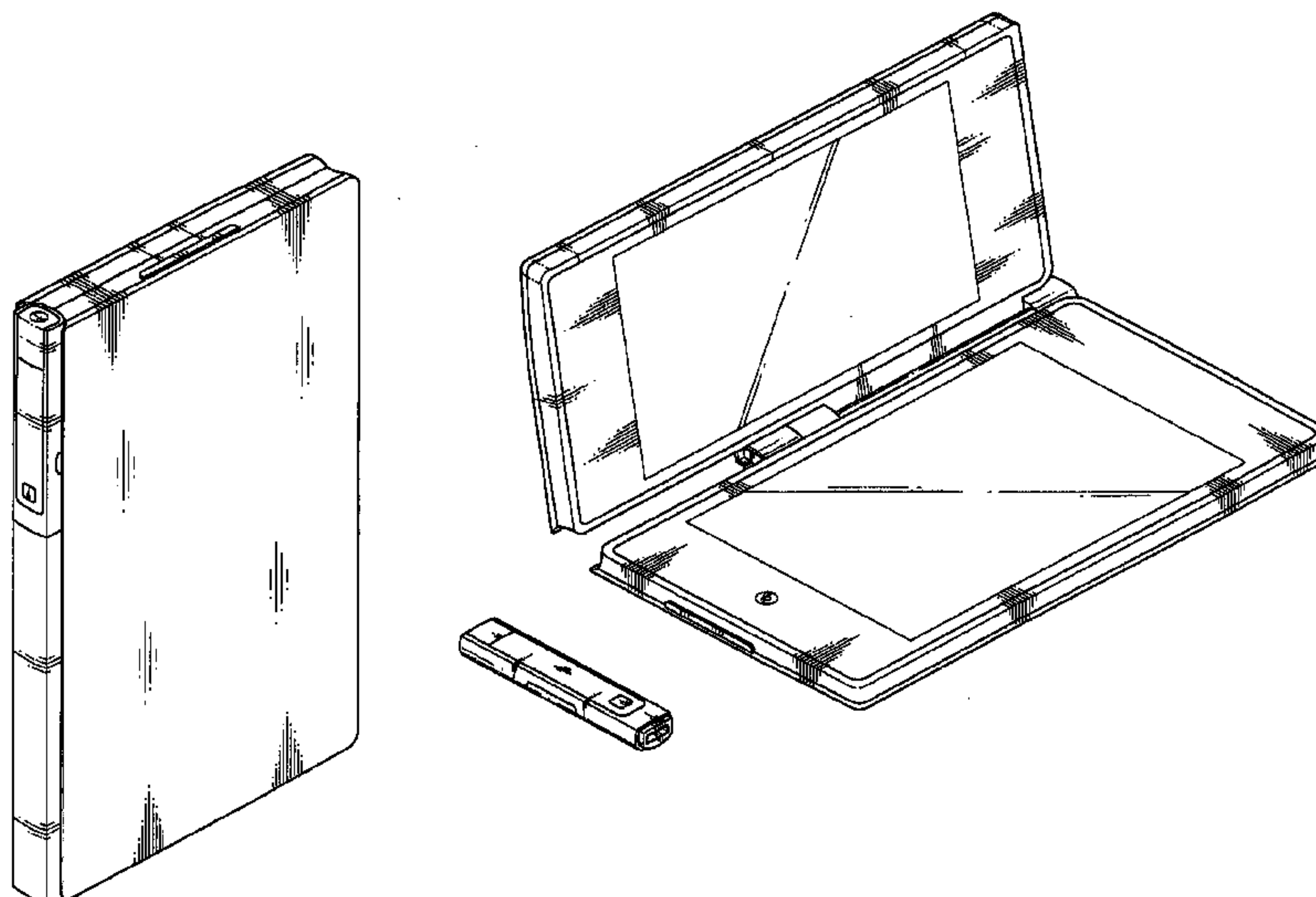
(57) **CLAIM**

The ornamental design for a terminal for portable mobile communication, as shown and described.

**DESCRIPTION**

FIG. 1 is a front perspective view of terminal for portable mobile communication;  
FIG. 2 is a front view of the terminal for portable mobile communication of FIG. 1;  
FIG. 3 is a rear view of the terminal for portable mobile communication of FIG. 1;  
FIG. 4 is a left-side view of the terminal for portable mobile communication of FIG. 1;  
FIG. 5 is a right-side view of the terminal for portable mobile communication of FIG. 1;  
FIG. 6 is a top plan view of the terminal for portable mobile communication of FIG. 1;  
FIG. 7 is a bottom plan view of the terminal for portable mobile communication of FIG. 1;  
FIG. 8 is an open front perspective view of the terminal for portable mobile communication of FIG. 1; and,  
FIG. 9 is another open front perspective view of the terminal for portable mobile communication of FIG. 1 with a detailed remote controller.

**1 Claim, 9 Drawing Sheets**



# US D658,173 S

Page 2

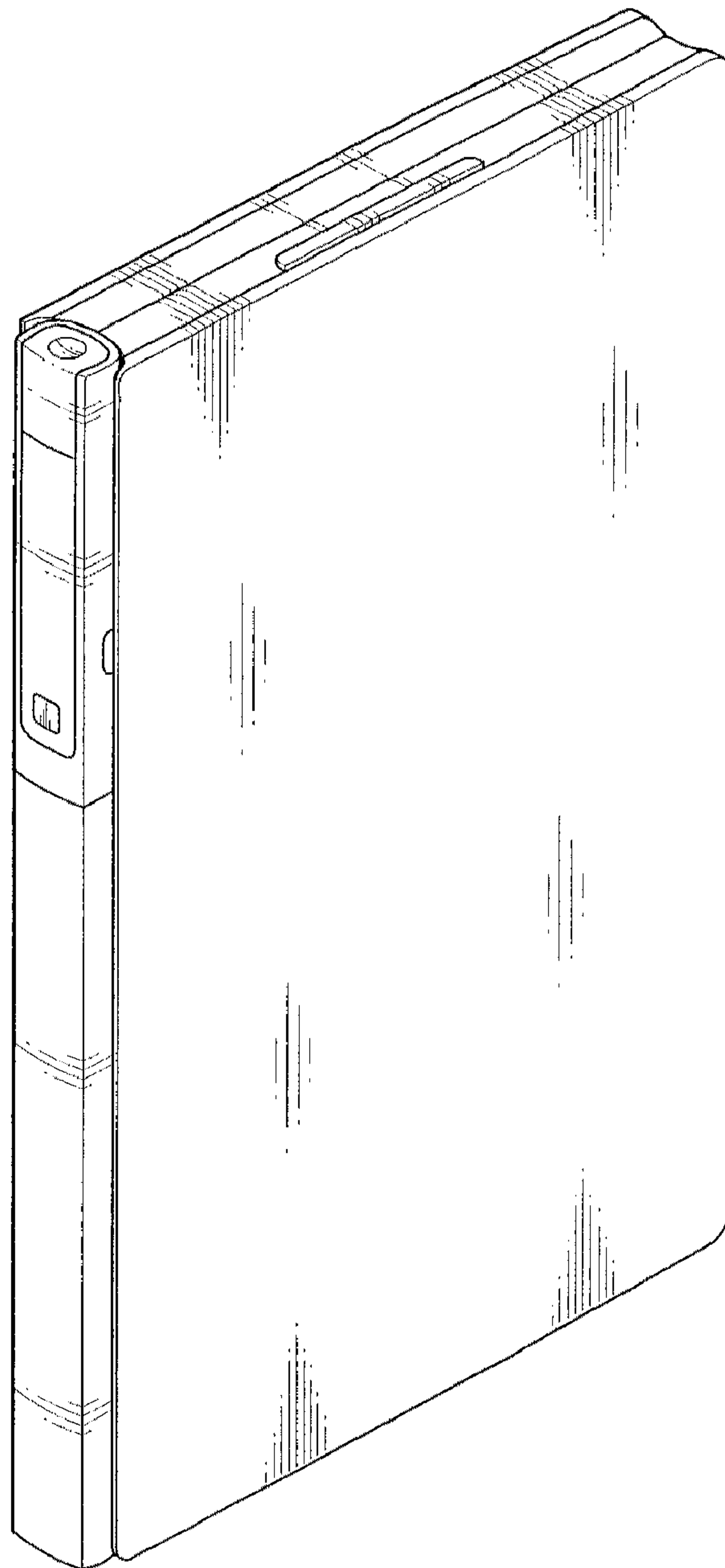
---

## U.S. PATENT DOCUMENTS

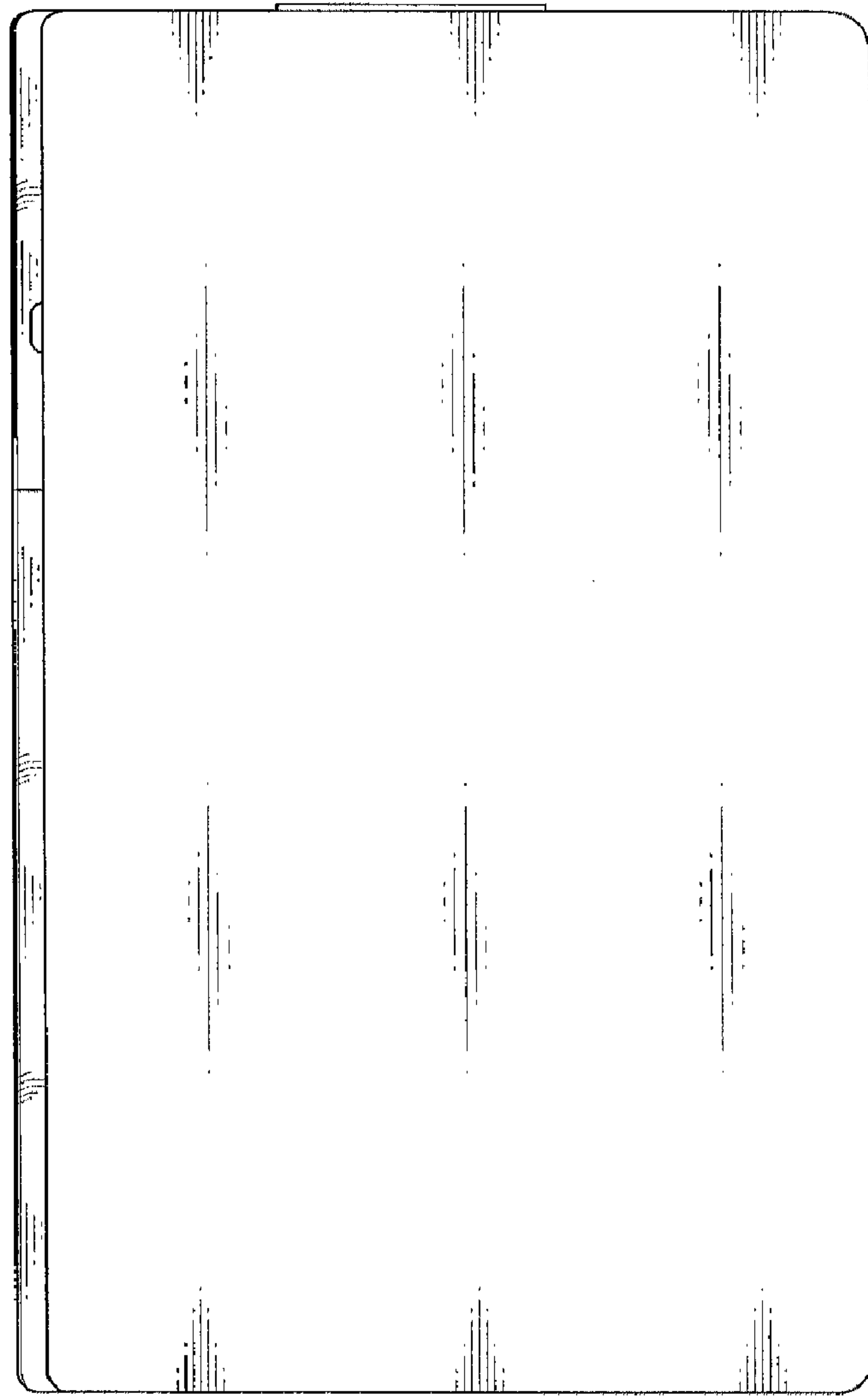
D631,043 S *	1/2011	Kell .....	D14/341	D650,780 S *	12/2011	Rashid et al. ....	D14/341
D635,567 S *	4/2011	Rashid et al. ....	D14/341	D650,781 S *	12/2011	Rashid et al. ....	D14/341
7,920,320 B2 *	4/2011	Watson et al. ....	359/296	2002/0018027 A1 *	2/2002	Sugimoto .....	345/1.3
D639,806 S *	6/2011	Lee et al. ....	D14/345	2005/0184982 A1 *	8/2005	Sugimoto .....	345/204
D641,353 S *	7/2011	Rashid et al. ....	D14/341	2005/0264540 A1 *	12/2005	Niwa .....	345/173
D644,219 S *	8/2011	Sawada .....	D14/345	2009/0231233 A1 *	9/2009	Liberatore .....	345/1.3

\* cited by examiner

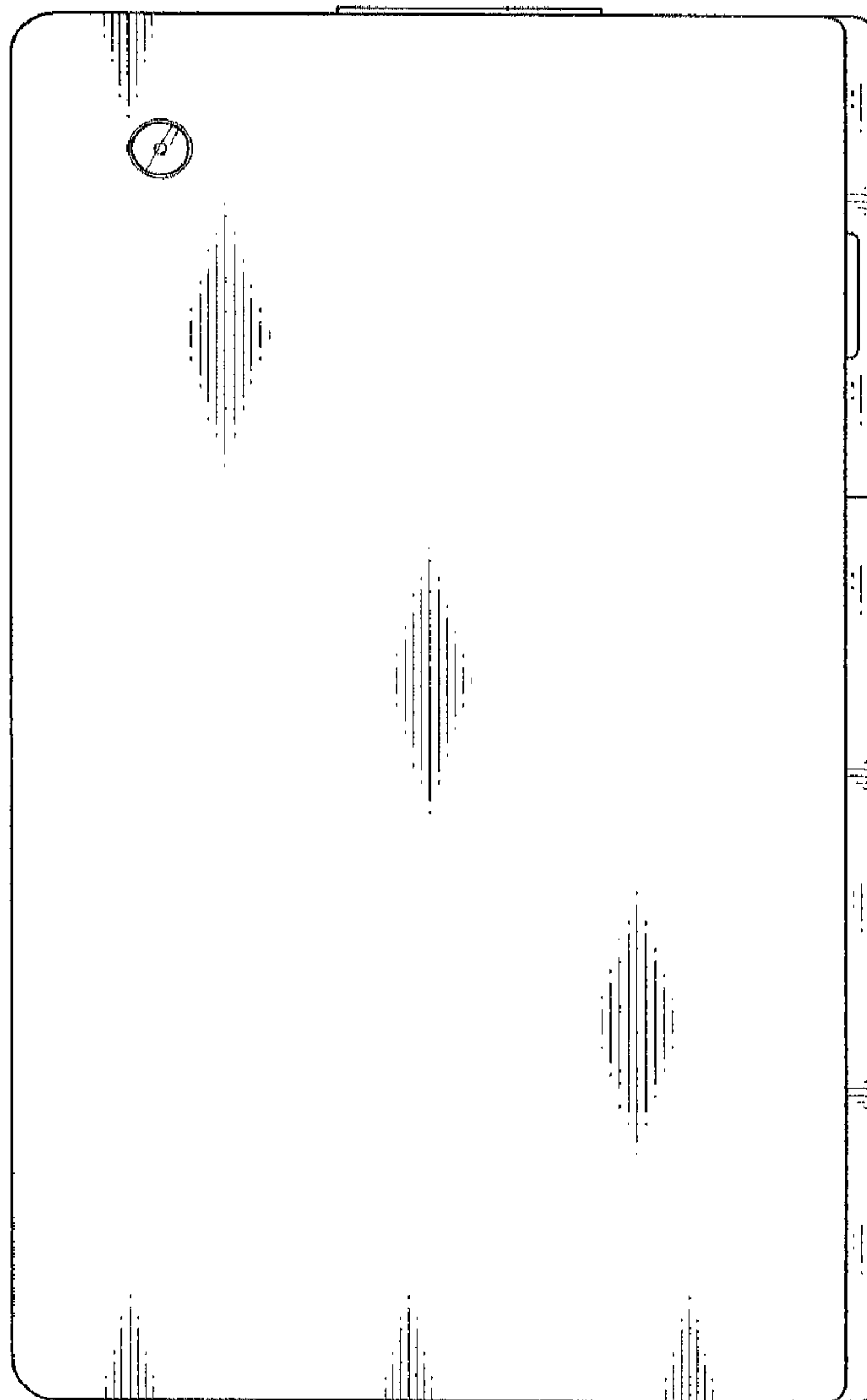
FIG. 1



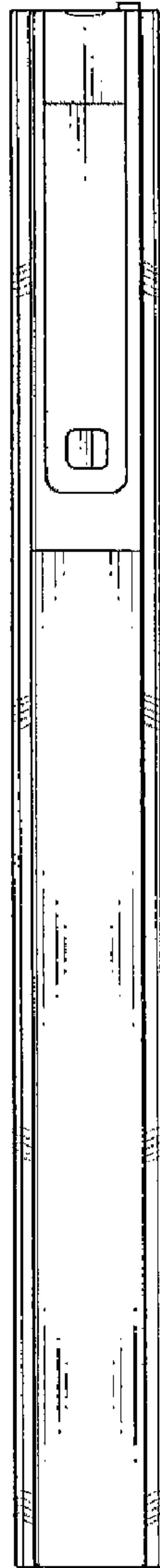
# FIG. 2



# FIG. 3



# FIG. 4



# FIG. 5

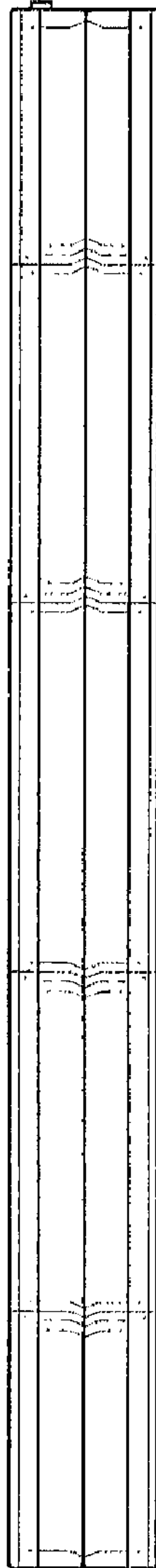
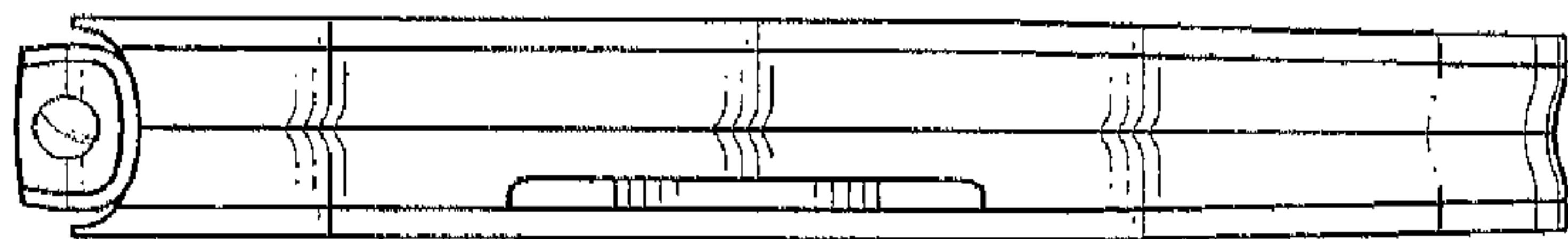


FIG. 6





# FIG. 7

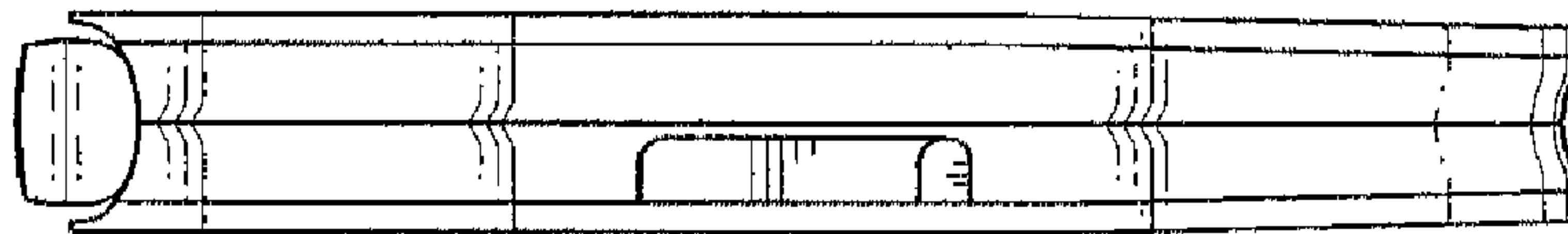


FIG. 8

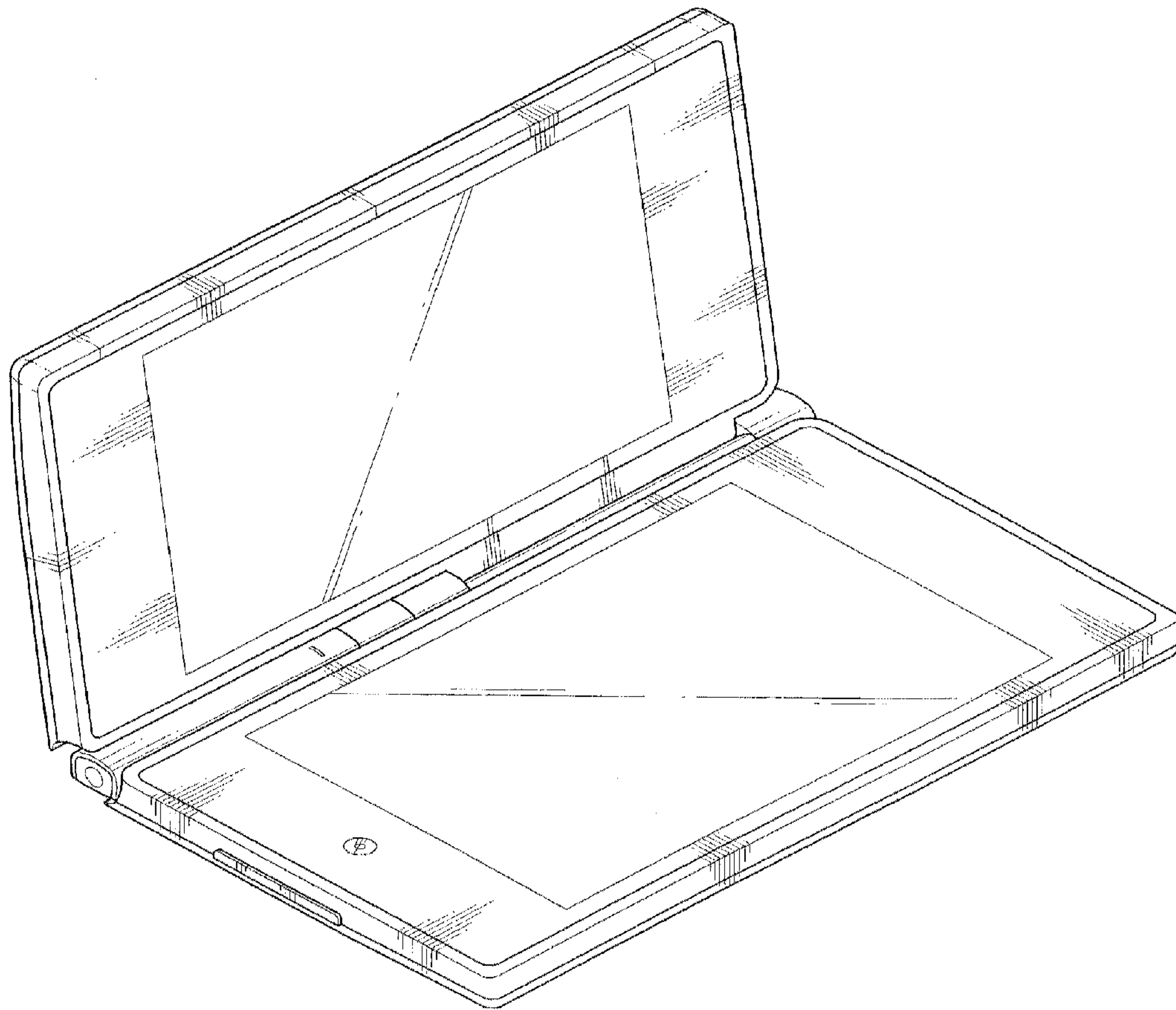


FIG. 9

