



US00D658170S

(12) **United States Design Patent**
Chen et al.

(10) **Patent No.:** **US D658,170 S**
(45) **Date of Patent:** **** Apr. 24, 2012**

(54) **STAND**

(75) Inventors: **Yu-Ting Chen**, Jubei (TW); **Chi-Ming Yang**, Jubei (TW); **Jyun-Yi Shen**, Jubei (TW)

(73) Assignee: **Isotech Products Incorporated**, Jubei, HsinChu (TW)

(**) Term: **14 Years**

(21) Appl. No.: **29/407,931**

(22) Filed: **Dec. 5, 2011**

(51) **LOC (9) Cl.** **14-03**

(52) **U.S. Cl.** **D14/253**

(58) **Field of Classification Search** D14/140, D14/142, 147-149, 217, 240, 251-253, 432, D14/434, 447, 452, 454, 496, 144, 451, 457, D14/238.1, 239, 250, 137; D8/363, 373, D8/396, 355; D12/415, 418, 422; 248/206.2-206.4, 248/220.21, 279.1, 59, 74.1, 74.2; 379/426, 379/446, 454, 455; D13/107-108; D16/242; D21/333; 361/679.3; 320/115; 455/572, 455/569.2, 575.9; D3/218, 201; D6/466; D10/74; 439/529

See application file for complete search history.

(56) **References Cited**

U.S. PATENT DOCUMENTS

1,637,981	A	*	8/1927	Baldwin	248/493
D121,488	S	*	7/1940	De Roos	D6/323
D252,088	S	*	6/1979	Johansson	D14/253
D290,956	S	*	7/1987	Witham	D14/253
D349,042	S	*	7/1994	Costello	D8/373
D380,914	S	*	7/1997	Dostie et al.	D6/466
D393,795	S	*	4/1998	Bernstein	D8/373
D449,303	S	*	10/2001	Chou	D14/432
D449,834	S	*	10/2001	Chou et al.	D14/432
D508,395	S	*	8/2005	Gamble	D8/363
D510,517	S	*	10/2005	Noack	D8/373
D557,259	S	*	12/2007	Hirsch	D14/217
D574,375	S	*	8/2008	Prest et al.	D14/253
D601,300	S	*	9/2009	Burk	D28/18
D608,356	S	*	1/2010	Peyridieu	D14/253
D608,357	S	*	1/2010	Peyridieu	D14/253

D616,431	S	*	5/2010	Hijmans	D14/253
D618,692	S	*	6/2010	Deutsch et al.	D14/447
D631,332	S	*	1/2011	Bauer et al.	D8/367
D631,333	S	*	1/2011	Bauer et al.	D8/367
D640,708	S	*	6/2011	Lee	D14/447
D647,881	S	*	11/2011	Warner	D14/217
D649,153	S	*	11/2011	Symons	D14/447
D652,830	S	*	1/2012	Nazar	D14/253

OTHER PUBLICATIONS

Elephant Mobile Phone Stand/Holder, <URL:http://www.karmakiss.net/en/home-room-and-garden-decor/room-accoutrements/elephant-mobile-phone-stand-holder.html?gclid=CI_J8sTm3K0CFcZM4AodLzIENQ>, retrieved from internet Jan. 19, 2012.*

Metal Nonslip Blue Chair Shaped Cell Phone Stand Holder, <URL:http://www.sourcingmap.com/metal-nonslip-blue-chair-shaped-cell-phone-stand-holder-p-102901.html>, retrieved from internet Jan. 19, 2012.*

Exquisite Watching Movies Shelf Support Stands for iPhone, <URL:http://www.dinodirect.com/wholesale-support-stands-exquisite-movies-shelf.html>, retrieved from internet Jan. 19, 2012.*

* cited by examiner

Primary Examiner — Carla Wright

(74) *Attorney, Agent, or Firm* — Muncy, Geissler, Olds & Lowe, PLLC

(57) **CLAIM**

We claim the ornamental design for a stand, as shown and described.

DESCRIPTION

FIG. 1 is a perspective view of a stand showing our new design;

FIG. 2 is a front elevation view thereof;

FIG. 3 is a rear elevation view thereof;

FIG. 4 is a left side elevation view thereof;

FIG. 5 is a right side elevation view thereof;

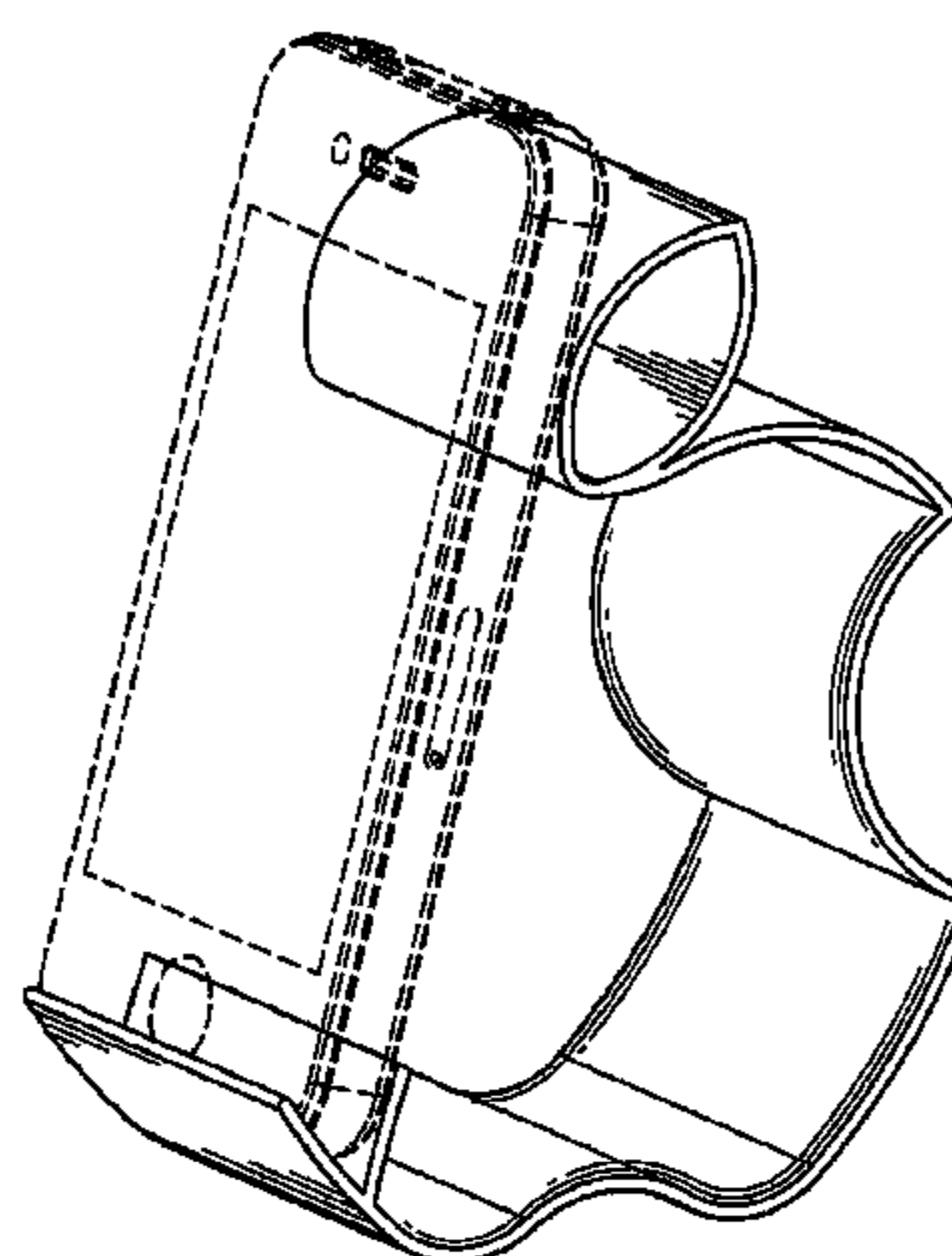
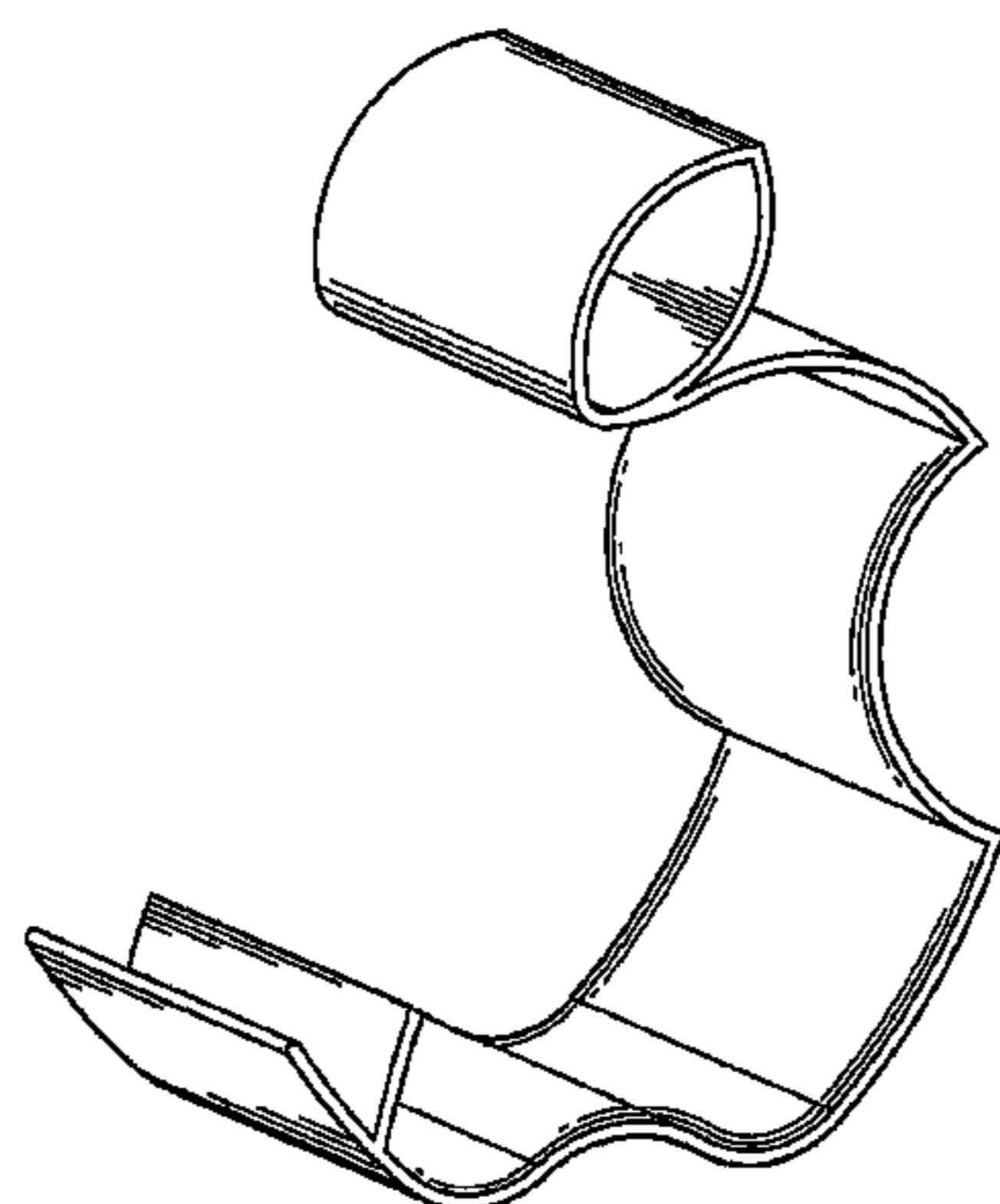
FIG. 6 is a top plan view thereof;

FIG. 7 is a bottom plan view thereof; and,

FIG. 8 is a perspective view showing the stand in an environment of use.

The broken lines in FIG. 8 depict unclaimed environment.

1 Claim, 5 Drawing Sheets



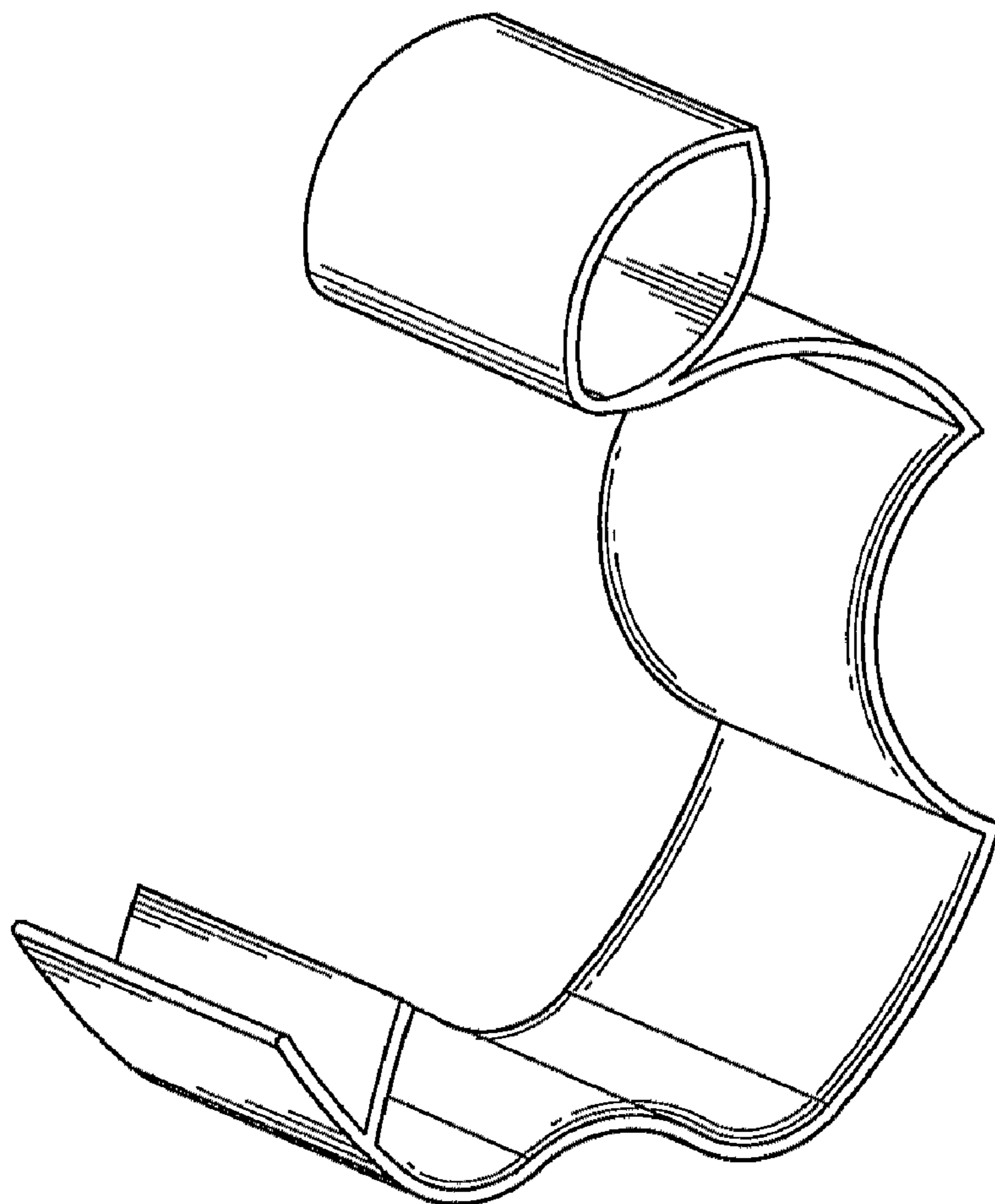


FIG. 1

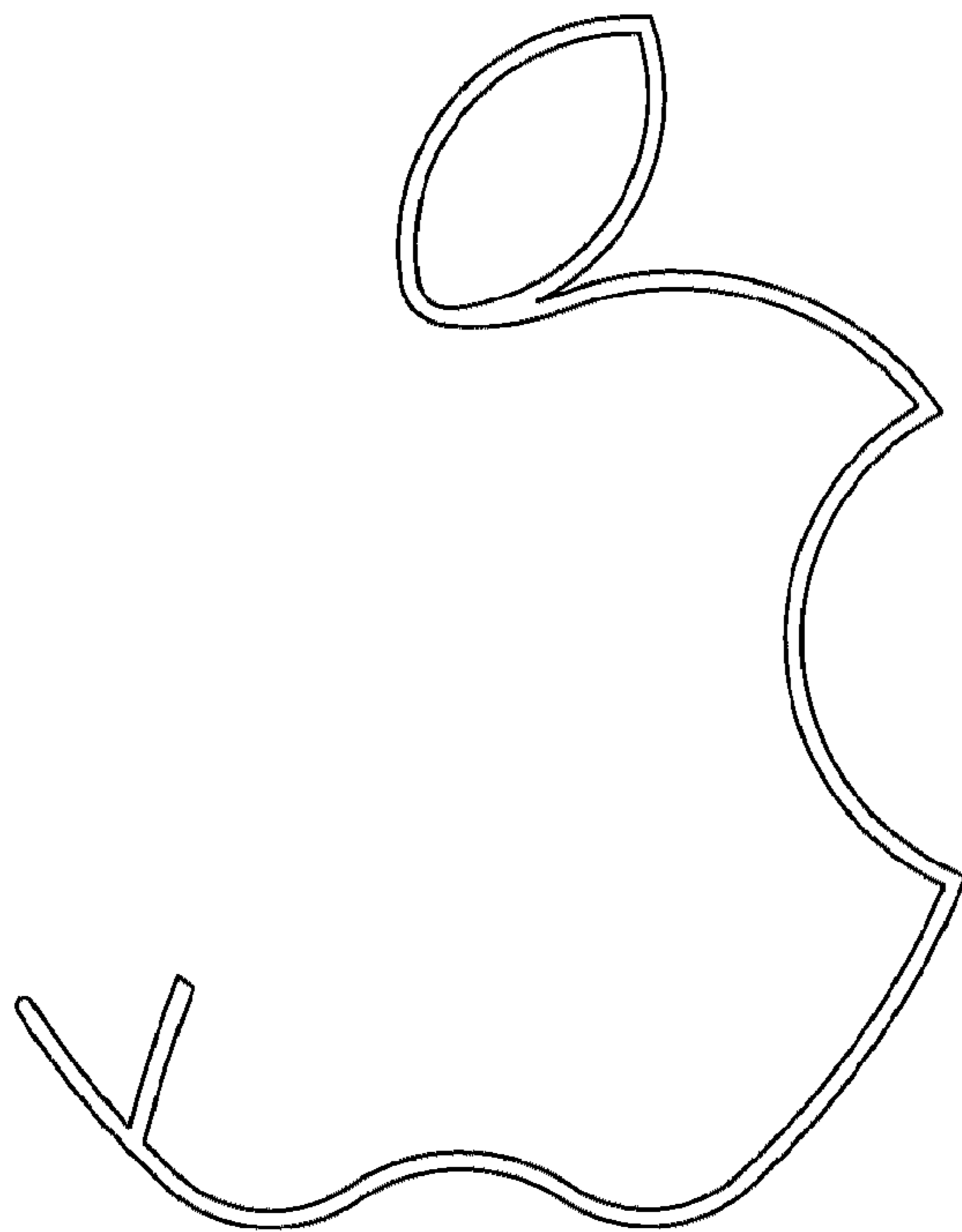


FIG. 2

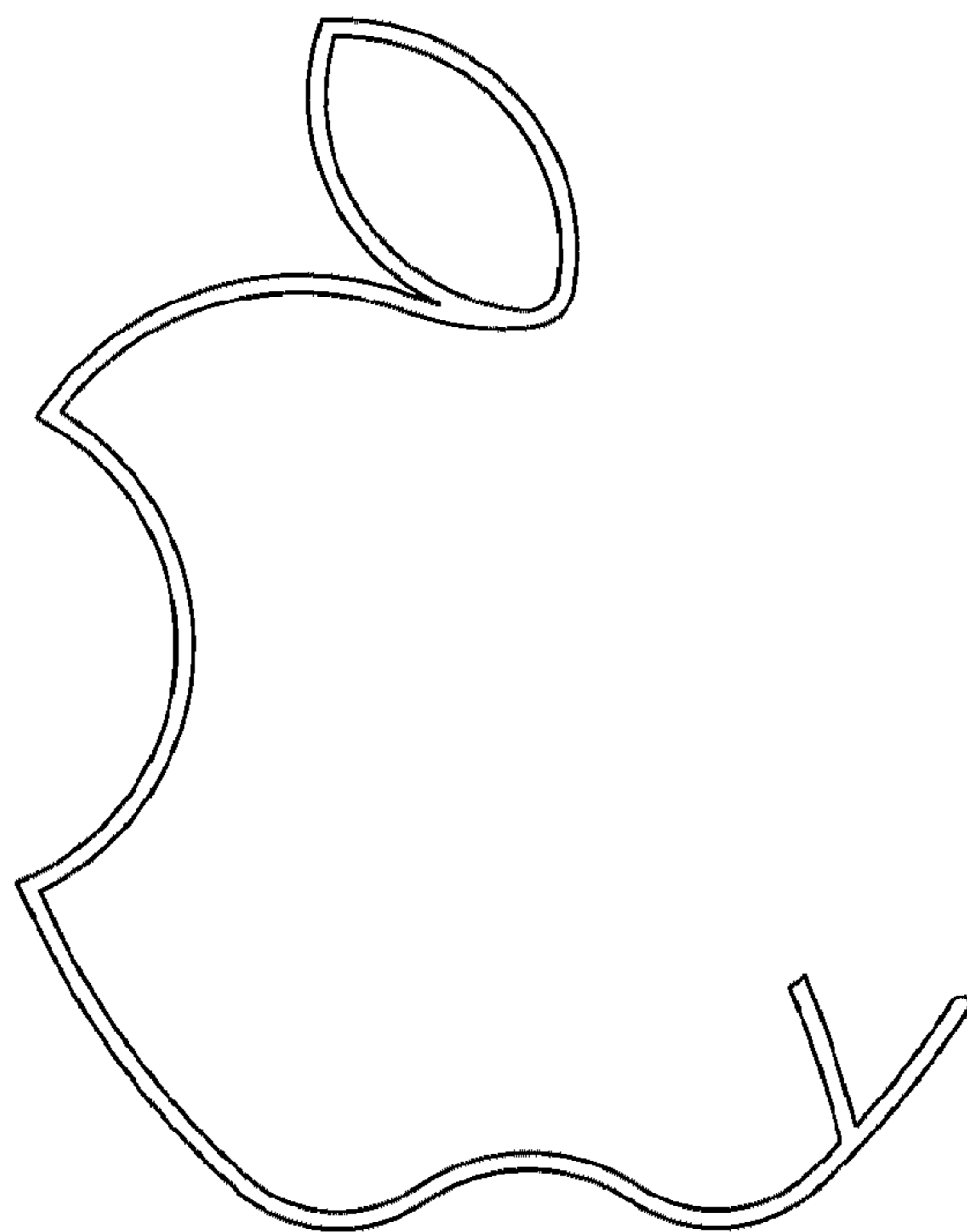


FIG. 3

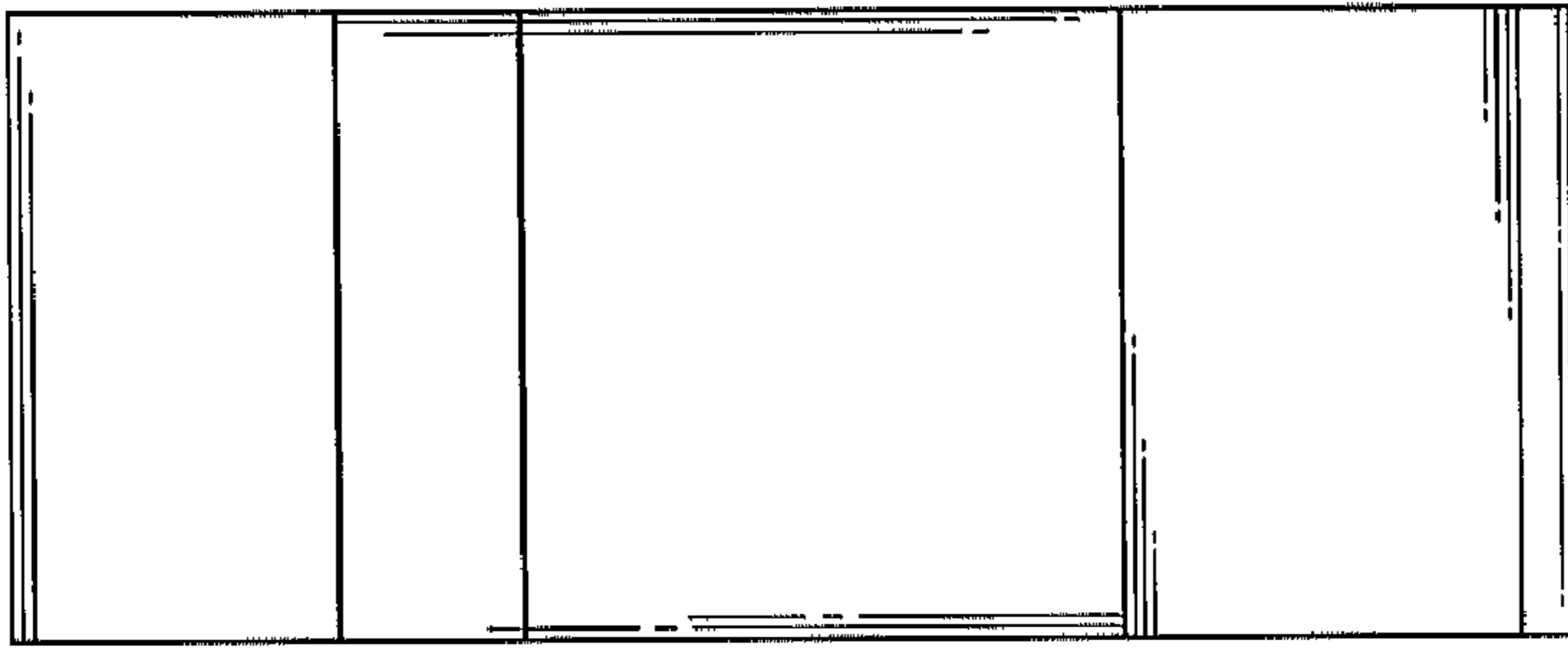


FIG. 5

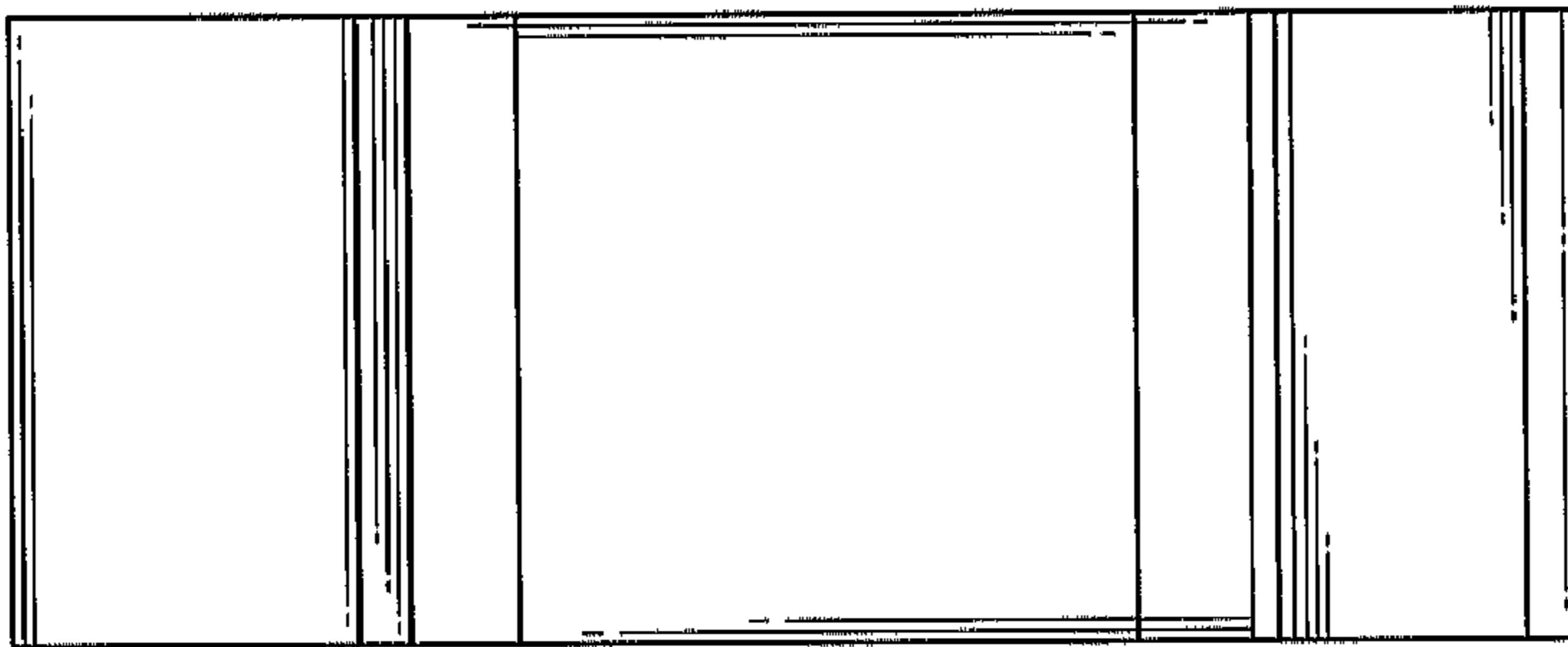


FIG. 4

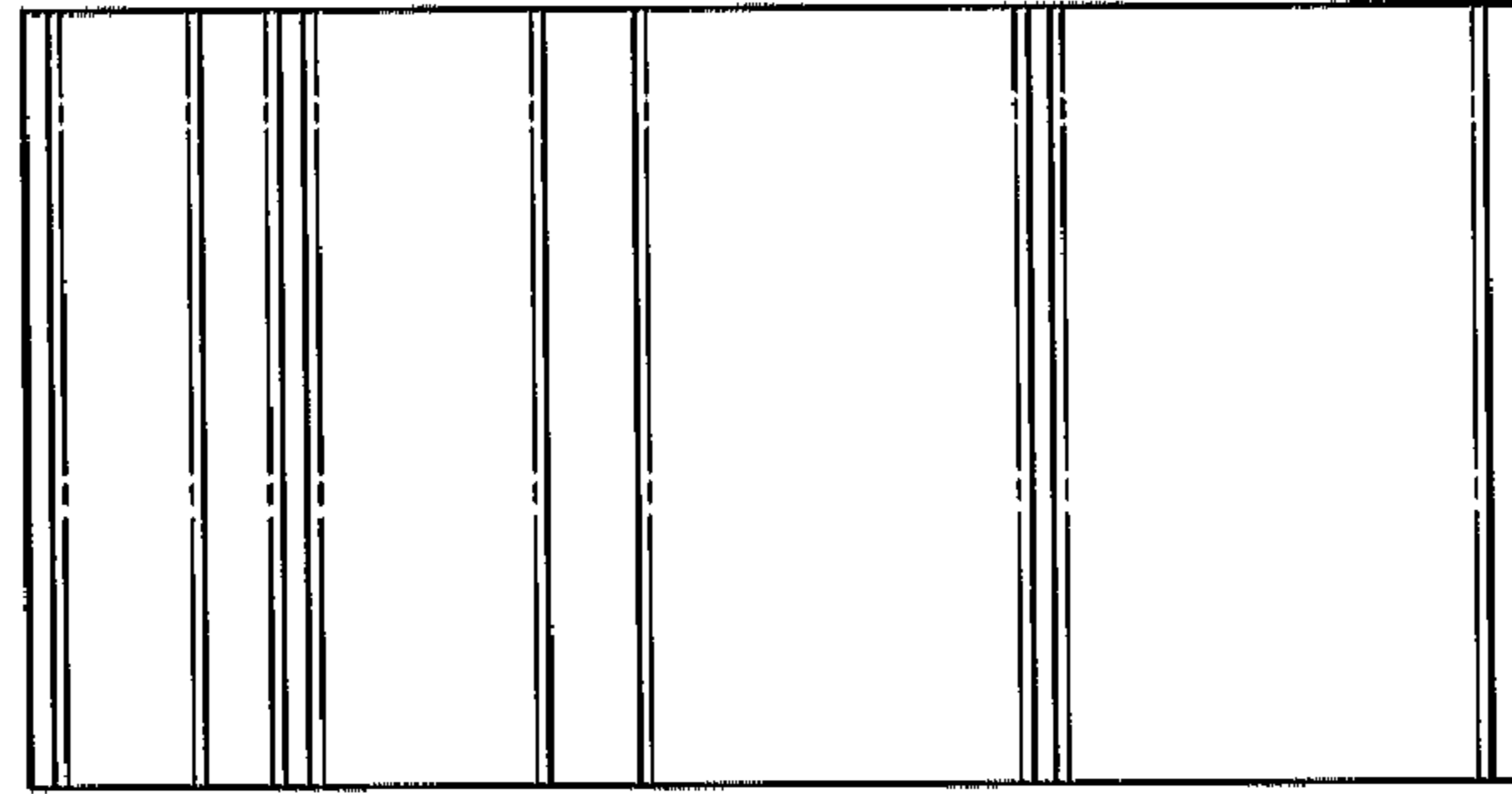


FIG. 6

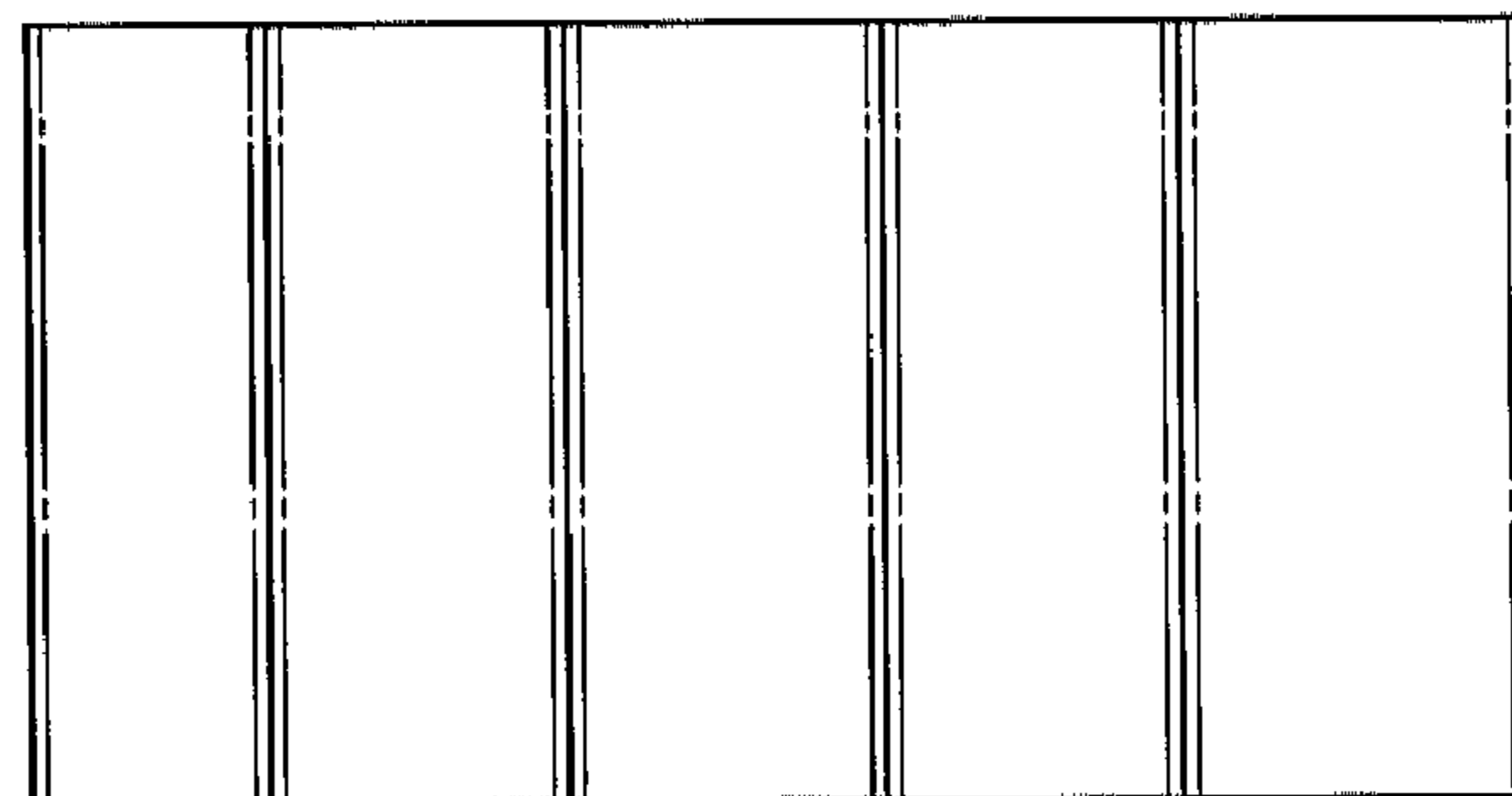


FIG. 7

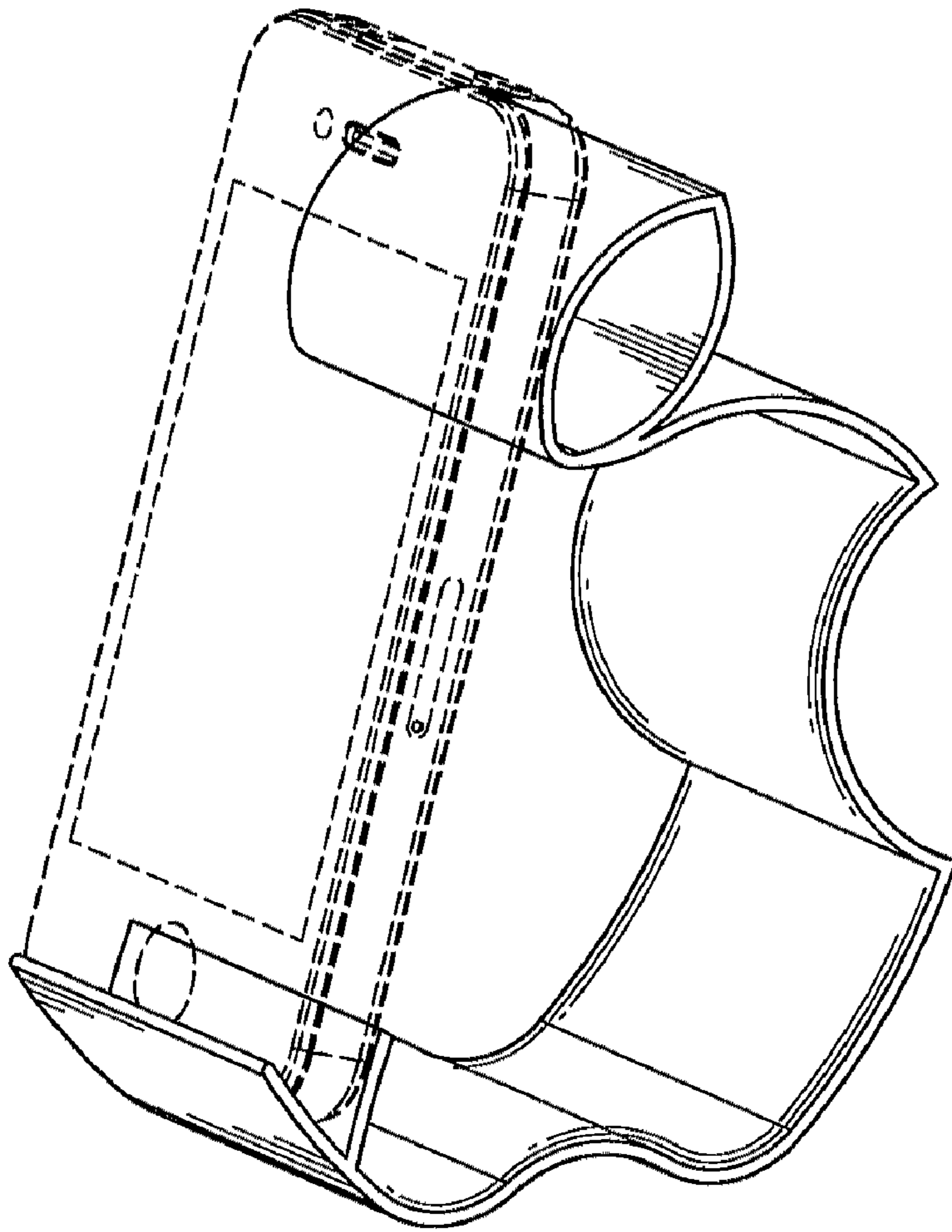


FIG. 8