



US00D658169S

(12) **United States Design Patent**  
**Mo**

(10) **Patent No.:** **US D658,169 S**

(45) **Date of Patent:** **\*\* Apr. 24, 2012**

(54) **SPRING LOADED CRADLE**

(75) Inventor: **Kawing Mo**, Temple City, CA (US)

(73) Assignee: **Arkon Resources, Inc.**, Arcadia, CA (US)

(\*\*) Term: **14 Years**

(21) Appl. No.: **29/370,040**

(22) Filed: **May 28, 2010**

(51) **LOC (9) Cl.** ..... **14-03**

(52) **U.S. Cl.** ..... **D14/253**

(58) **Field of Classification Search** ..... D14/140,  
D14/217, 224, 224.1, 229, 240, 243, 250–253,  
D14/299, 344, 434, 447, 451–452, 483, 496,  
D14/142, 149; D13/107, 108; 361/679.41;  
439/534; 320/115, 116, 107; D8/355, 363,  
D8/373; D12/415, 418; 379/449, 455, 165,  
379/426, 446, 454; 248/122.1, 127, 157,  
248/205.8, 206.2–206.4, 279.1, 205.5, 309.1,  
248/309.3, 352, 220.21; D3/201, 218, 269,  
D3/273, 301; D11/79; 63/26; D16/242  
See application file for complete search history.

(56) **References Cited**

**U.S. PATENT DOCUMENTS**

5,016,851 A \* 5/1991 Koskinen et al. .... 248/278.1  
D533,175 S \* 12/2006 Richter ..... D14/253  
D560,592 S \* 1/2008 Brassard ..... D12/415

D603,322 S \* 11/2009 Nicieja ..... D12/415  
D606,065 S \* 12/2009 Rihu ..... D14/253  
D620,931 S \* 8/2010 Opman ..... D14/250  
D626,541 S \* 11/2010 Kim et al. .... D14/253  
D627,771 S \* 11/2010 Smith et al. .... D14/253  
D634,315 S \* 3/2011 Nousiainen ..... D14/253  
D645,462 S \* 9/2011 Choi ..... D14/253  
D646,674 S \* 10/2011 Liao ..... D14/253

\* cited by examiner

*Primary Examiner* — Raphael Barkai

*Assistant Examiner* — Randall Gholson

(74) *Attorney, Agent, or Firm* — James E. Brunton

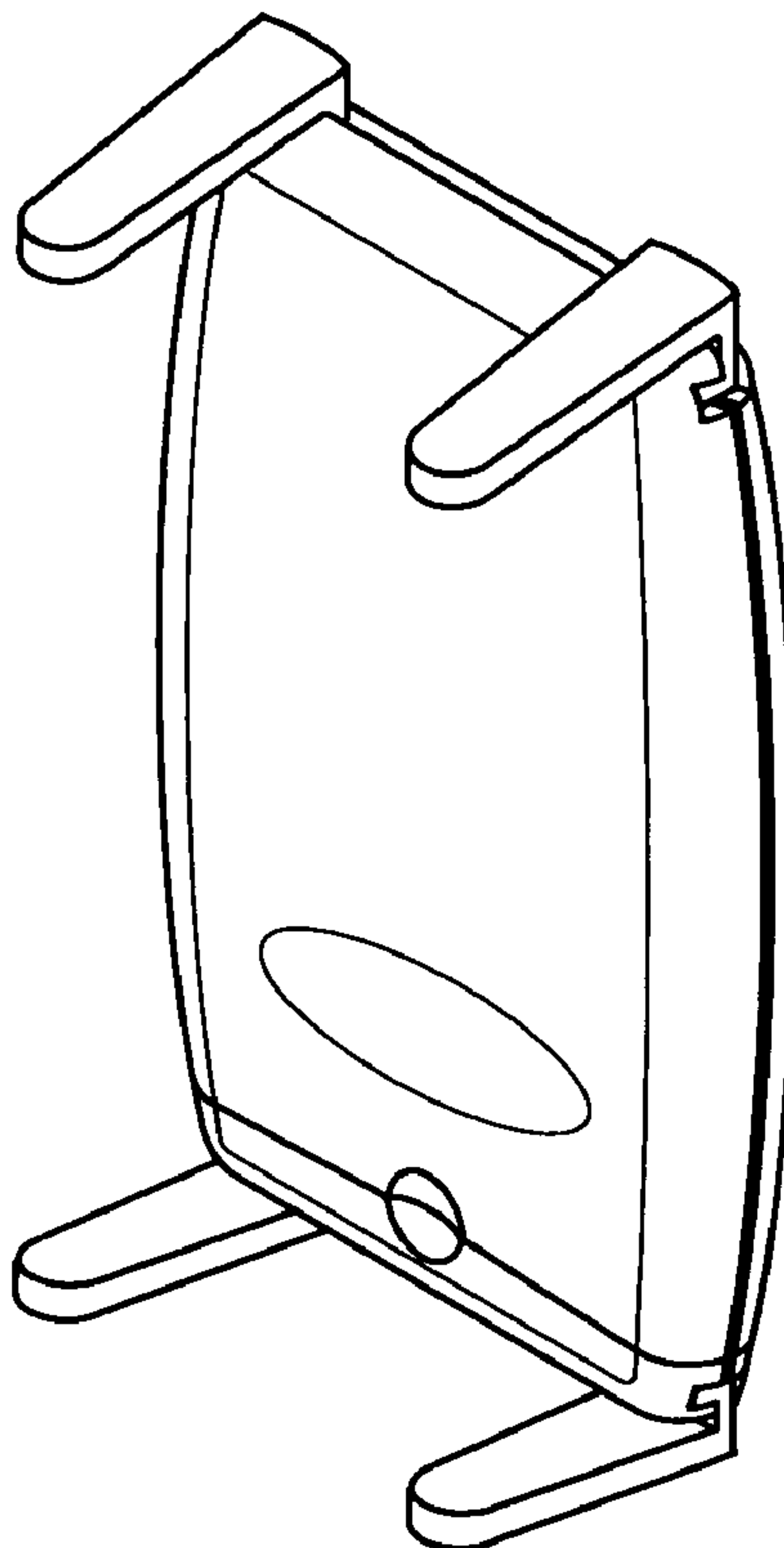
(57) **CLAIM**

The ornamental design for a “spring loaded cradle”, as shown.

**DESCRIPTION**

FIG. 1 is a perspective view of a “spring loaded cradle” showing my new design;  
FIG. 2 is a front view thereof;  
FIG. 3 is a rear view thereof;  
FIG. 4 is a side view thereof, the opposite side being identical thereto;  
FIG. 5 is a top plan view thereof;  
FIG. 6 is a bottom plan view thereof;  
FIG. 7 is a perspective view showing the “spring loaded cradle” in an extended configuration; and,  
FIG. 8 is a rear view showing the “spring loaded cradle” in an extended configuration.

**1 Claim, 3 Drawing Sheets**



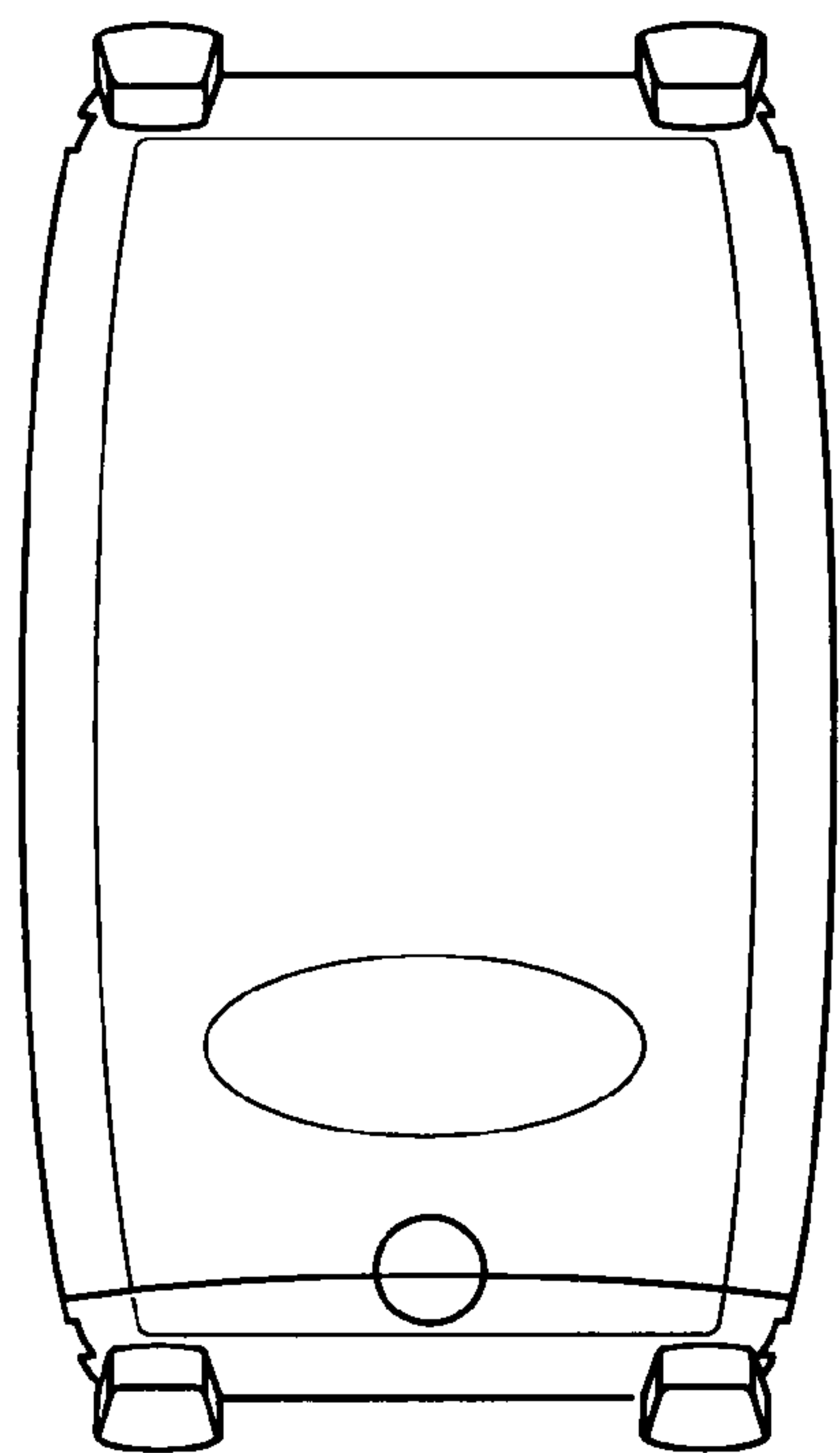


FIG. 1

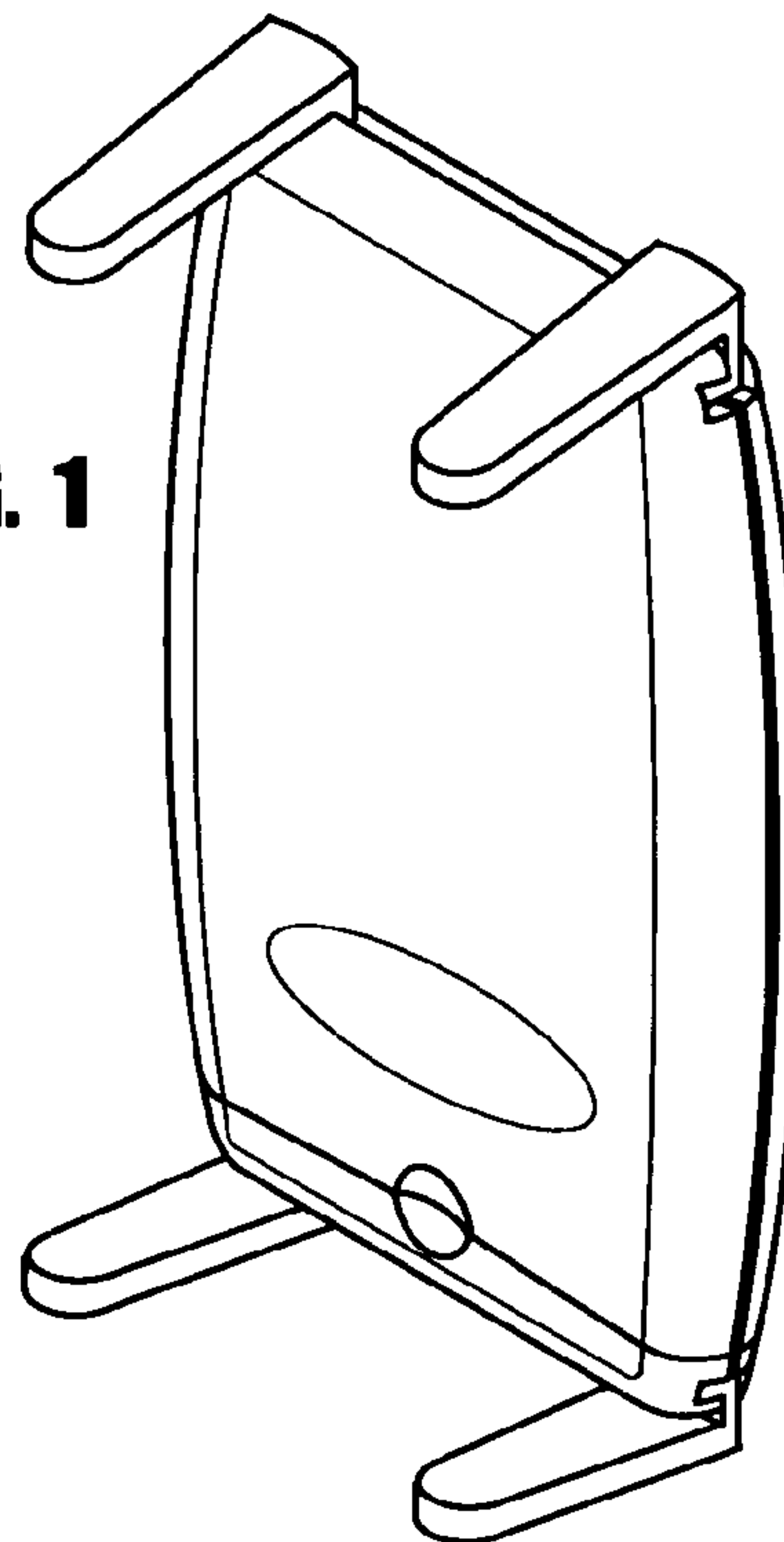
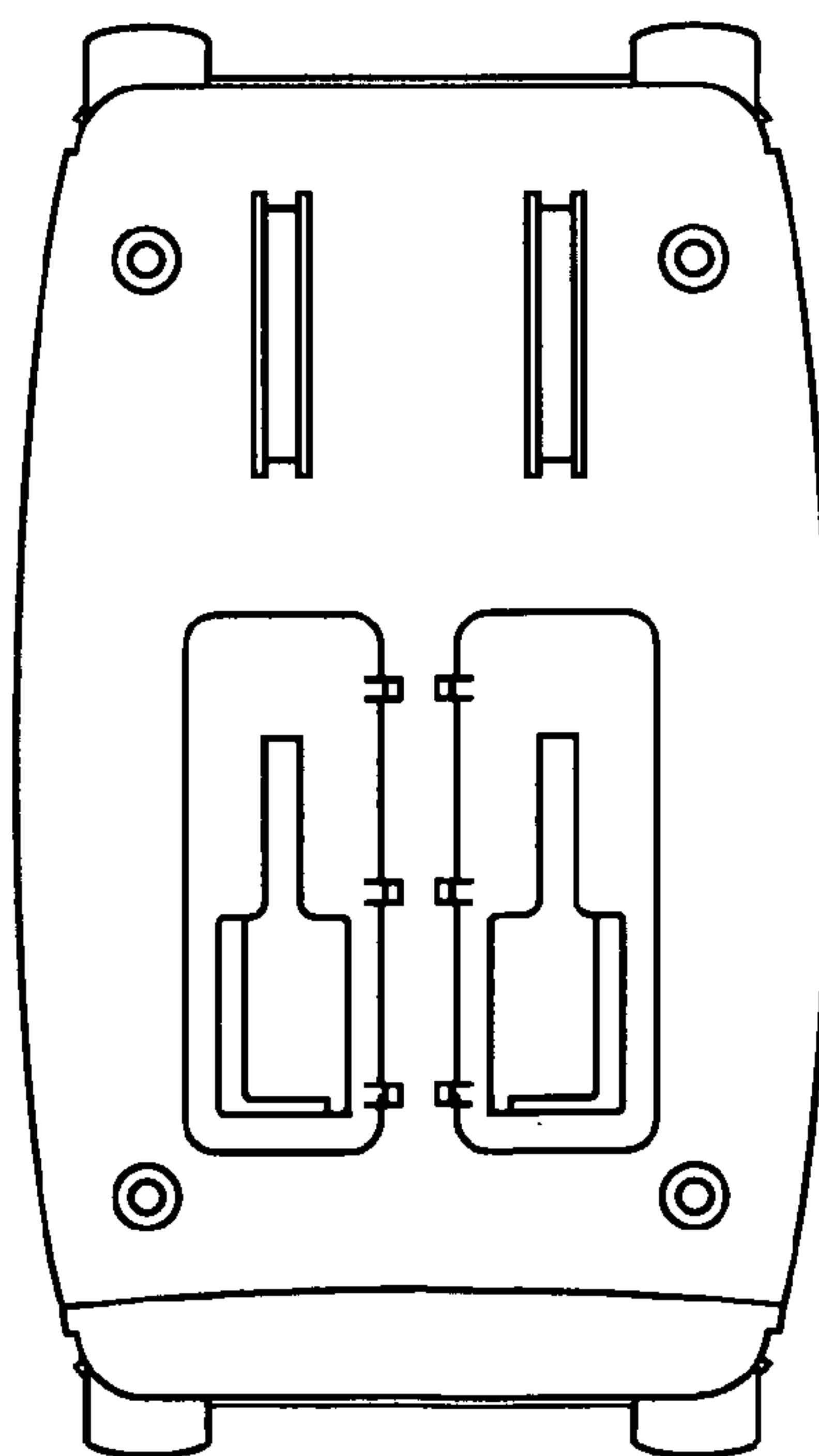


FIG. 2

FIG. 3



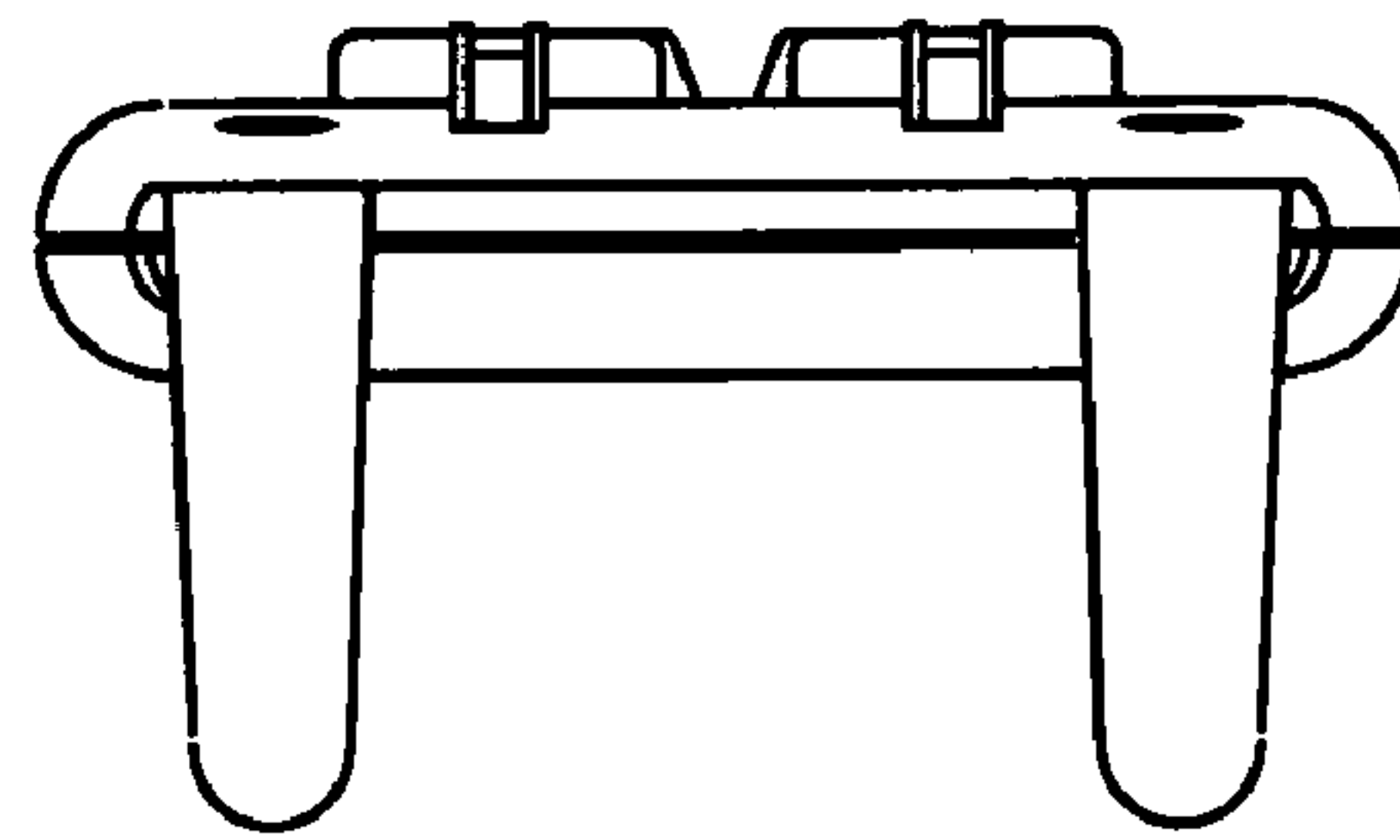
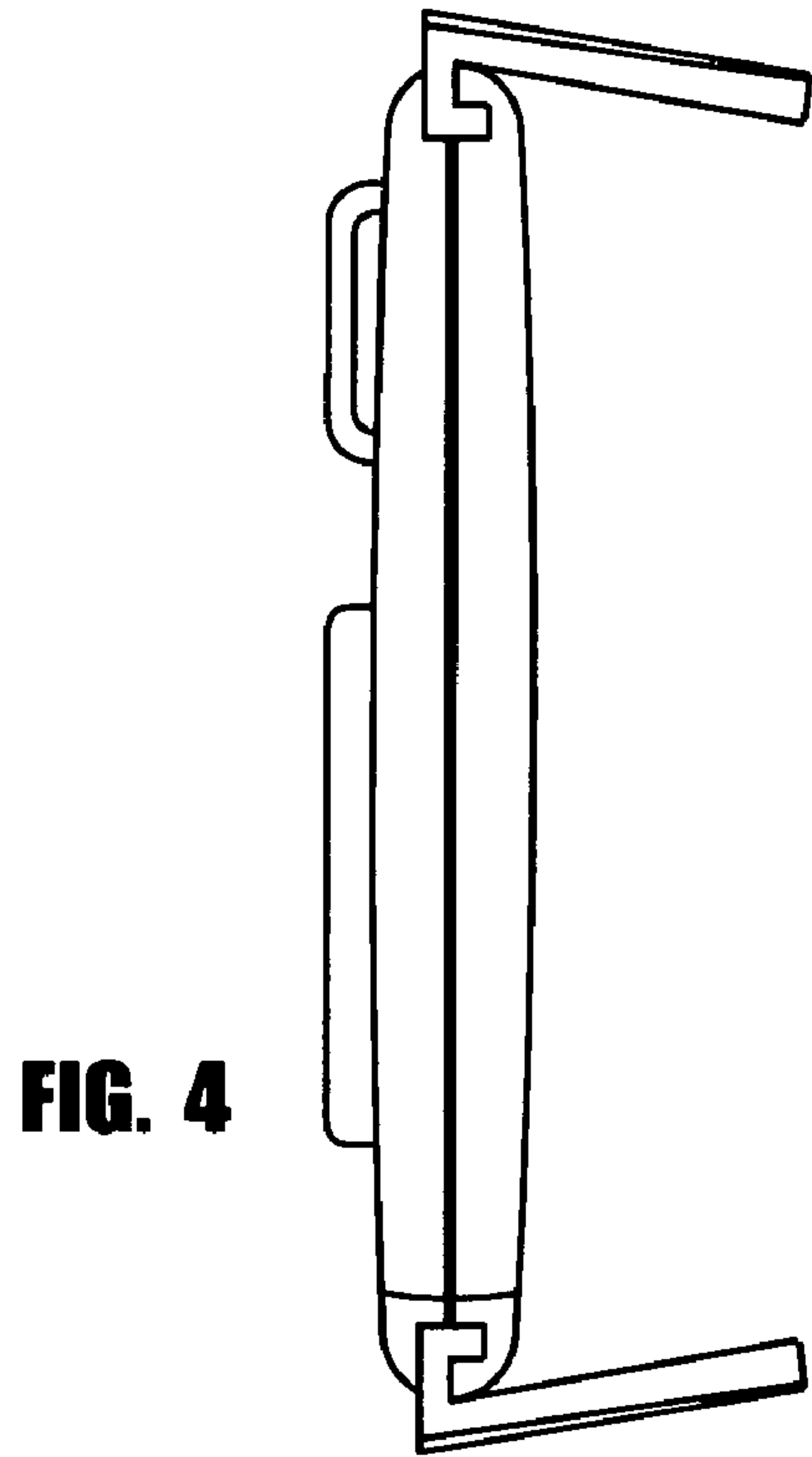


FIG. 5

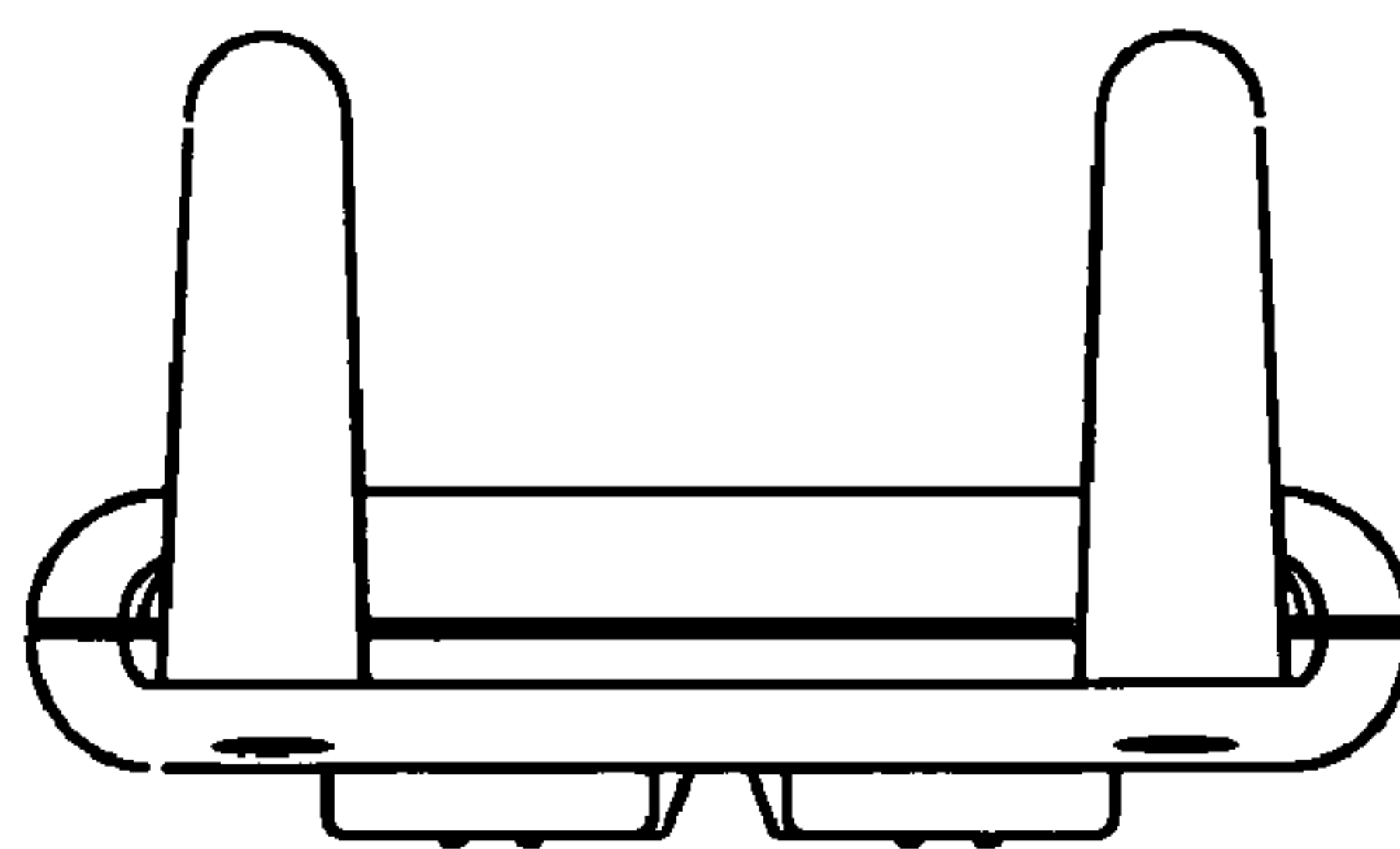
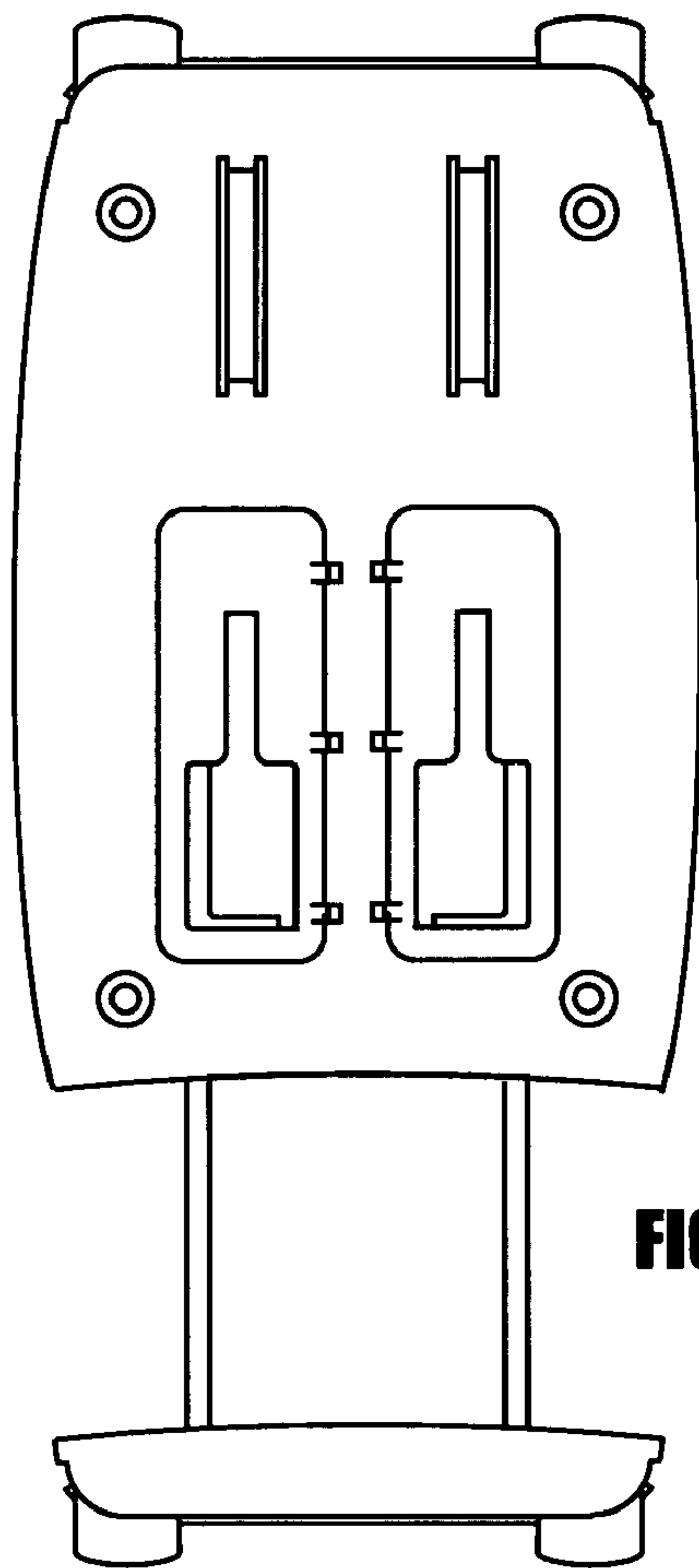
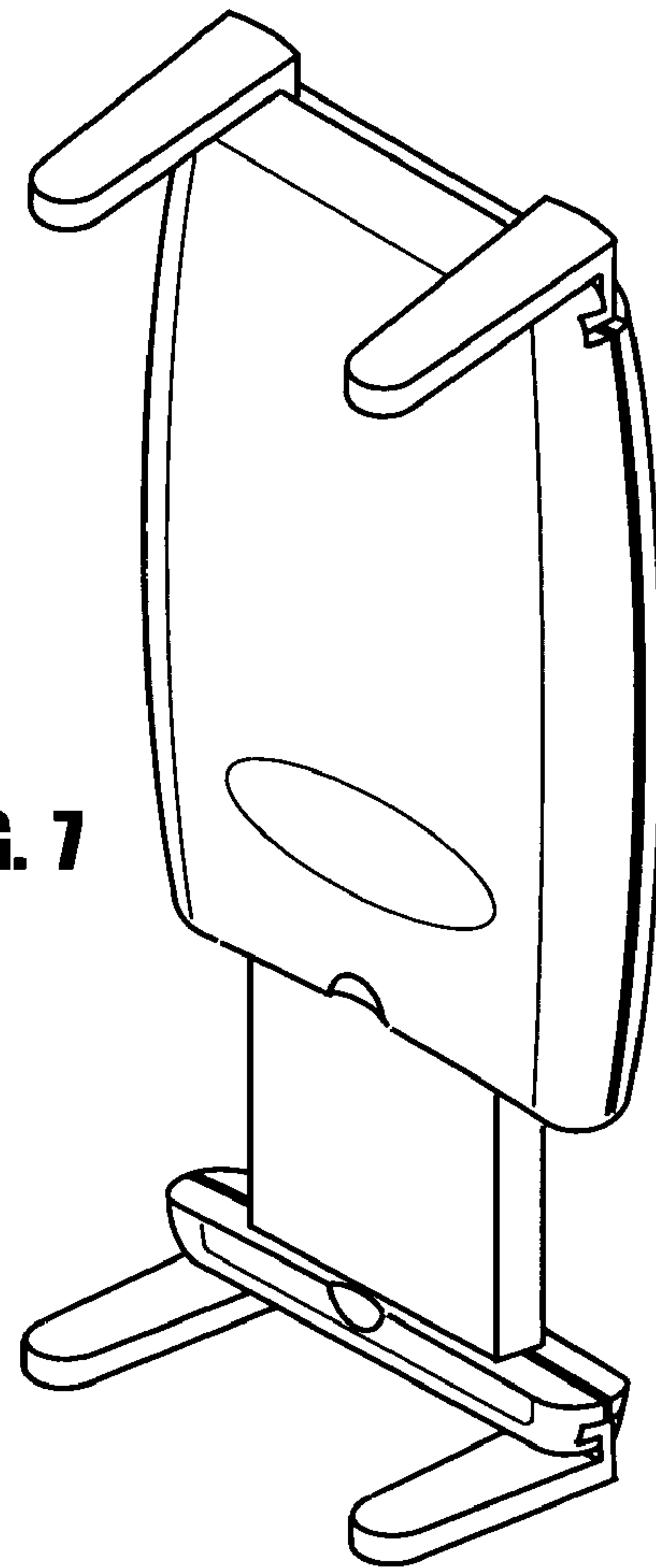


FIG. 6



**FIG. 8**



**FIG. 7**