



US00D658168S

(12) **United States Design Patent**
Werth

(10) **Patent No.:** **US D658,168 S**
(45) **Date of Patent:** **** Apr. 24, 2012**

(54) **VIEWING STAND**

(76) Inventor: **Albert A. Werth**, Kewadin, MI (US)

(**) Term: **14 Years**

(21) Appl. No.: **29/368,007**

(22) Filed: **Aug. 17, 2010**

(51) **LOC (9) Cl.** **14-03**

(52) **U.S. Cl.** **D14/253**

(58) **Field of Classification Search** D14/140,
D14/217, 224, 224.1, 229, 240, 243, 250–253,
D14/299, 344, 434, 447, 451–452, 483, 496;
D13/108; 361/679.41; 439/534; 320/115,
320/116, 107; D8/355, 363; D12/415, 418;
379/449, 455, 165; 248/122.1, 127, 157,
248/205.8, 206.2, 279.1, 205.5, 309.1, 309.3,
248/352; D3/201, 218, 269, 273, 301; D11/79;
63/26

See application file for complete search history.

(56) **References Cited**

U.S. PATENT DOCUMENTS

D390,849 S * 2/1998 Richter et al. D14/253
(Continued)

FOREIGN PATENT DOCUMENTS

JP 2005142671 A 6/2005

Primary Examiner — Raphael Barkai

Assistant Examiner — Randall Gholson

(74) *Attorney, Agent, or Firm* — Young Basile

(57) **CLAIM**

The ornamental design for a viewing stand, as shown and described.

DESCRIPTION

FIG. 1 is a top perspective view of an embodiment of the viewing stand in a partially folded configuration;

FIG. 2 is a bottom perspective view of the viewing stand of FIG. 1;

FIG. 3 is a front elevational view of the viewing stand of Figure. 1;

FIG. 4 is a rear elevational view of the viewing stand of FIG. 1;

FIG. 5 is a left side elevational view of the viewing stand of FIG. 1;

FIG. 6 is a right side elevational view of the viewing stand of FIG. 1;

FIG. 7 is a top plan view of the viewing stand of FIG. 1;

FIG. 8 is a bottom plan view of the viewing stand of FIG. 1;

FIG. 9 is a top perspective view of the viewing stand of FIG. 1 in an assembled configuration;

FIG. 10 is a bottom perspective view of the viewing stand of FIG. 9;

FIG. 11 is a front elevational view of the viewing stand of FIG. 9;

FIG. 12 is a rear elevational view of the viewing stand of FIG. 9;

FIG. 13 is a left side elevational view of the viewing stand of FIG. 9;

FIG. 14 is a right side elevational view of the viewing stand of FIG. 9;

FIG. 15 is a top plan view of the viewing stand of FIG. 9;

FIG. 16 is a bottom plan view of the viewing stand of FIG. 9;

FIG. 17 is a top perspective view of the viewing stand of FIG. 1 in a keyboard configuration;

FIG. 18 is a bottom perspective view of the viewing stand of FIG. 17;

FIG. 19 is a front elevational view of the viewing stand of FIG. 17;

FIG. 20 is a rear elevational view of the viewing stand of FIG. 17;

FIG. 21 is a left side elevational view of the viewing stand of FIG. 17;

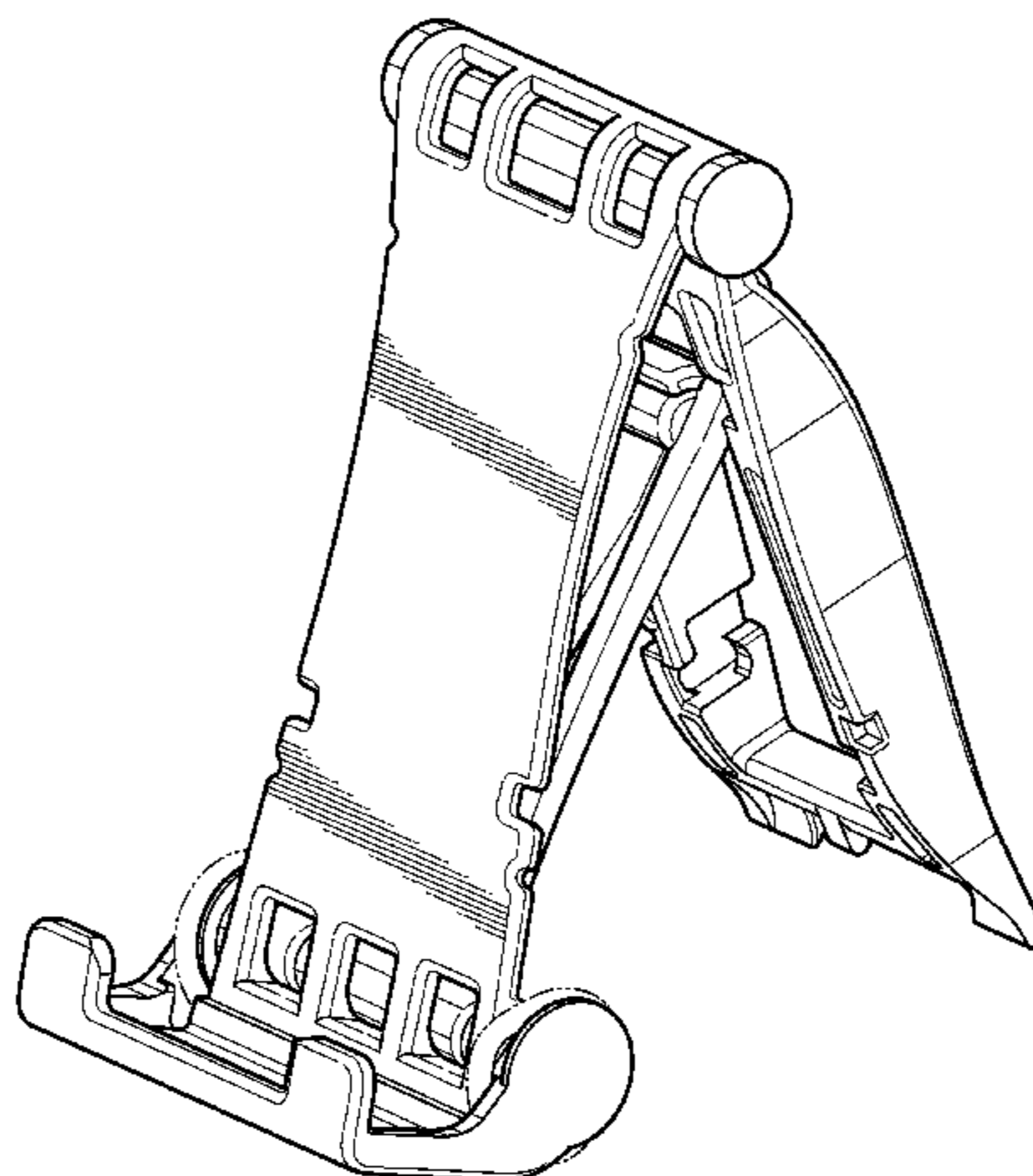
FIG. 22 is a right side elevational view of the viewing stand of FIG. 17;

FIG. 23 is a top plan view of the viewing stand of FIG. 17; and,

FIG. 24 is a bottom plan view of the viewing stand of FIG. 17.

The broken lines shown on the drawings are included for the purpose of illustrating environment and form no part of the claimed design.

1 Claim, 18 Drawing Sheets



US D658,168 S

Page 2

U.S. PATENT DOCUMENTS

D411,543 S *	6/1999	Richter	D14/253	D613,731 S *	4/2010	Yeo	D14/253
6,193,546 B1 *	2/2001	Sadler	439/534	D619,586 S *	7/2010	Richter	D14/447
D471,548 S	3/2003	Zheng			D619,587 S *	7/2010	Richter	D14/447
6,672,549 B2	1/2004	Kolb			D627,624 S *	11/2010	Brassard	D8/363
6,971,622 B2	12/2005	Ziegler et al.			D638,008 S *	5/2011	Richter	D14/253
D557,259 S	12/2007	Hirsch			D646,315 S *	10/2011	Orf	D16/242
D574,375 S	8/2008	Prest et al.			2005/0263666 A1	12/2005	Kim		
D602,025 S *	10/2009	Richter	D14/447	2008/0156836 A1	7/2008	Wadsworth et al.		
D606,065 S *	12/2009	Rihu	D14/253	2009/0060473 A1	3/2009	Kohte et al.		

* cited by examiner

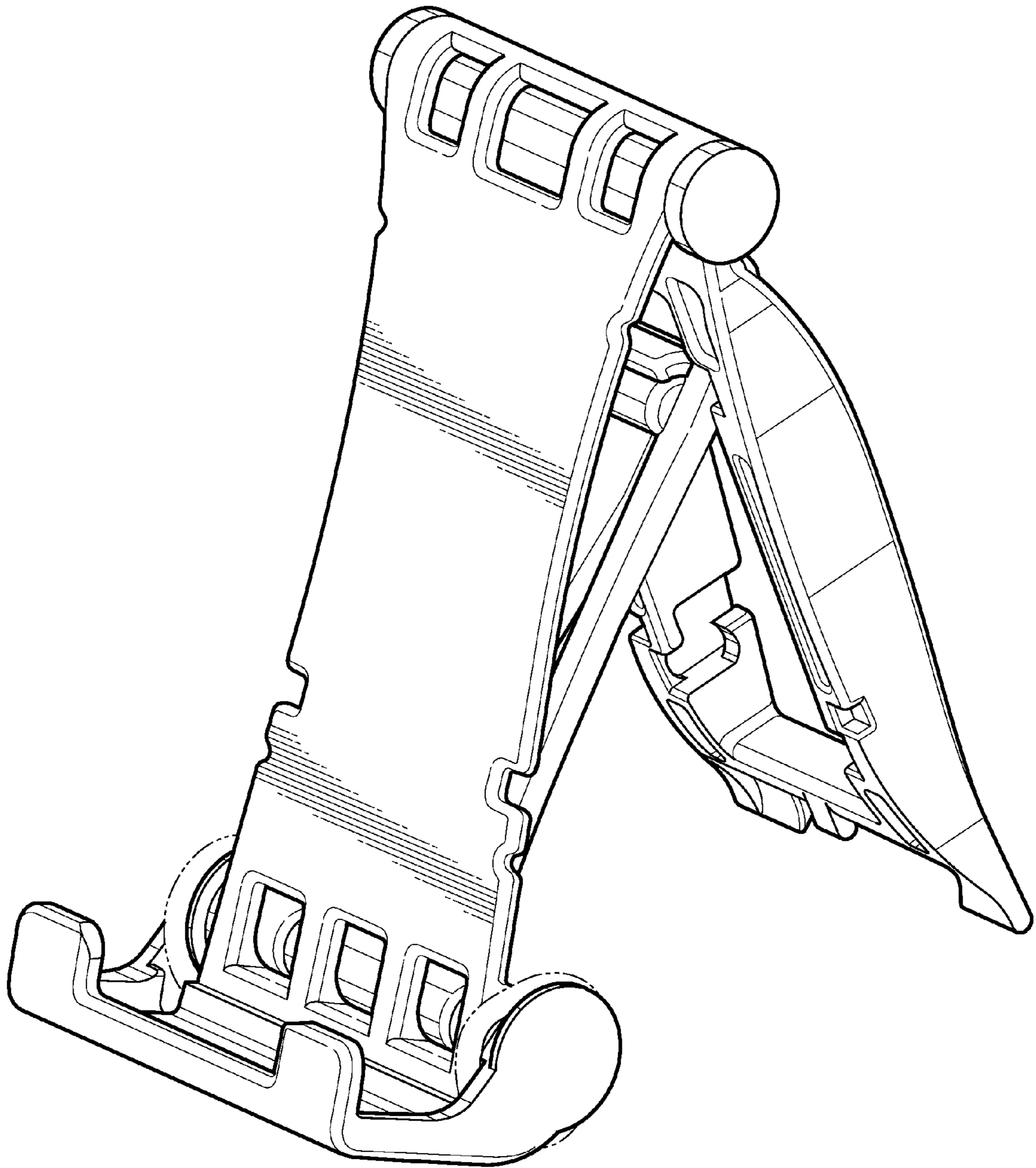


FIG. 1

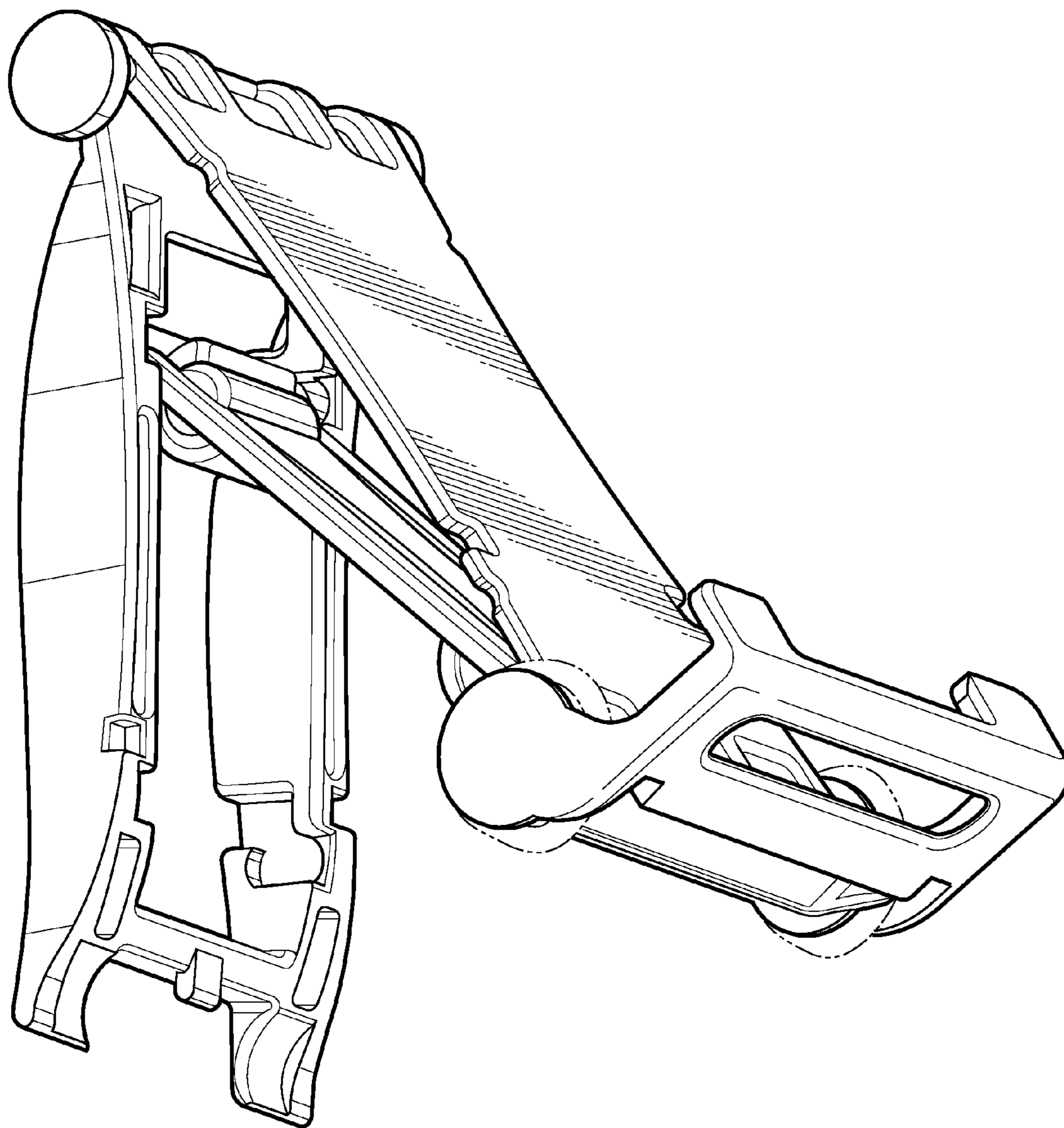


FIG. 2

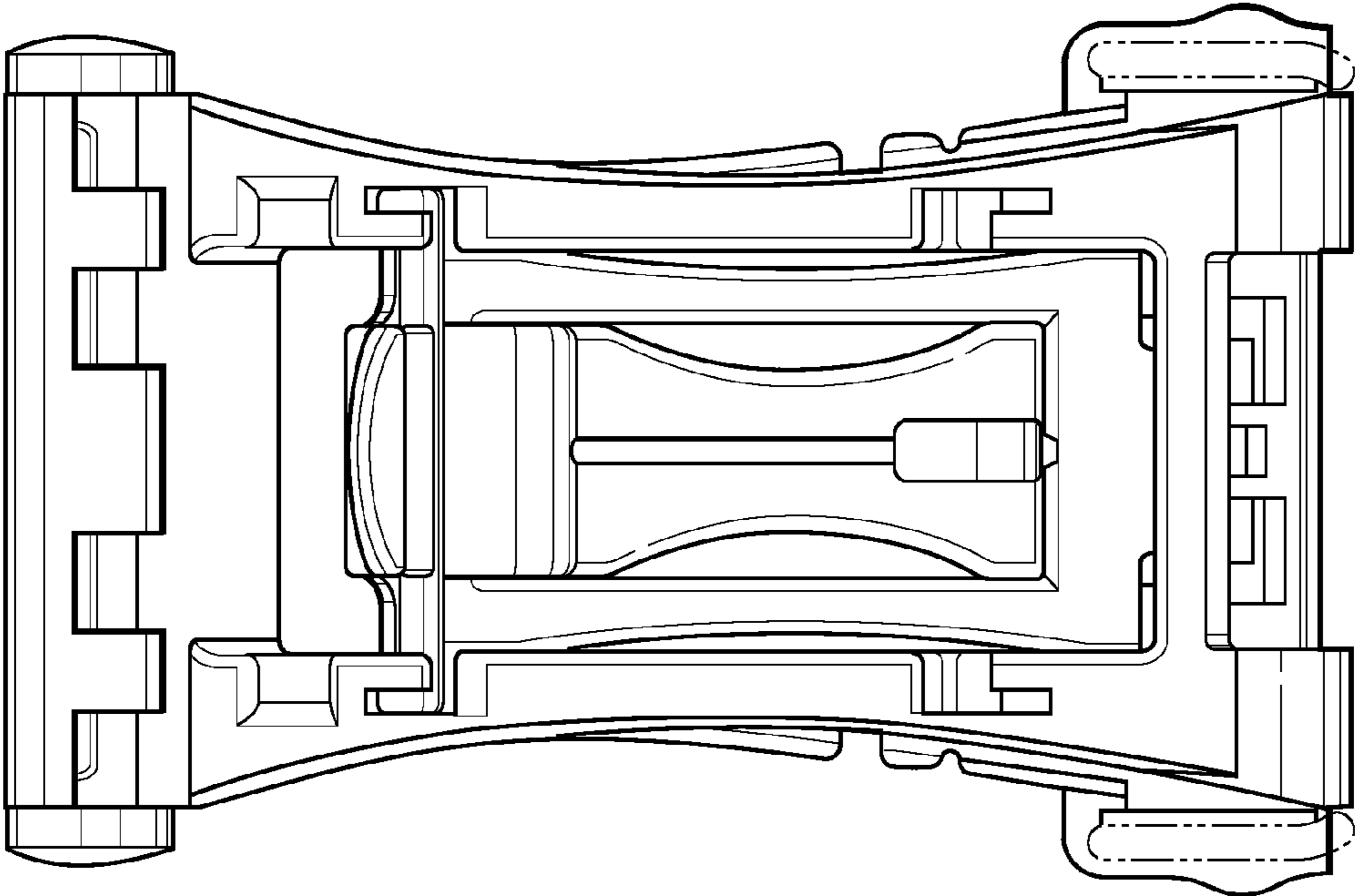


FIG. 4

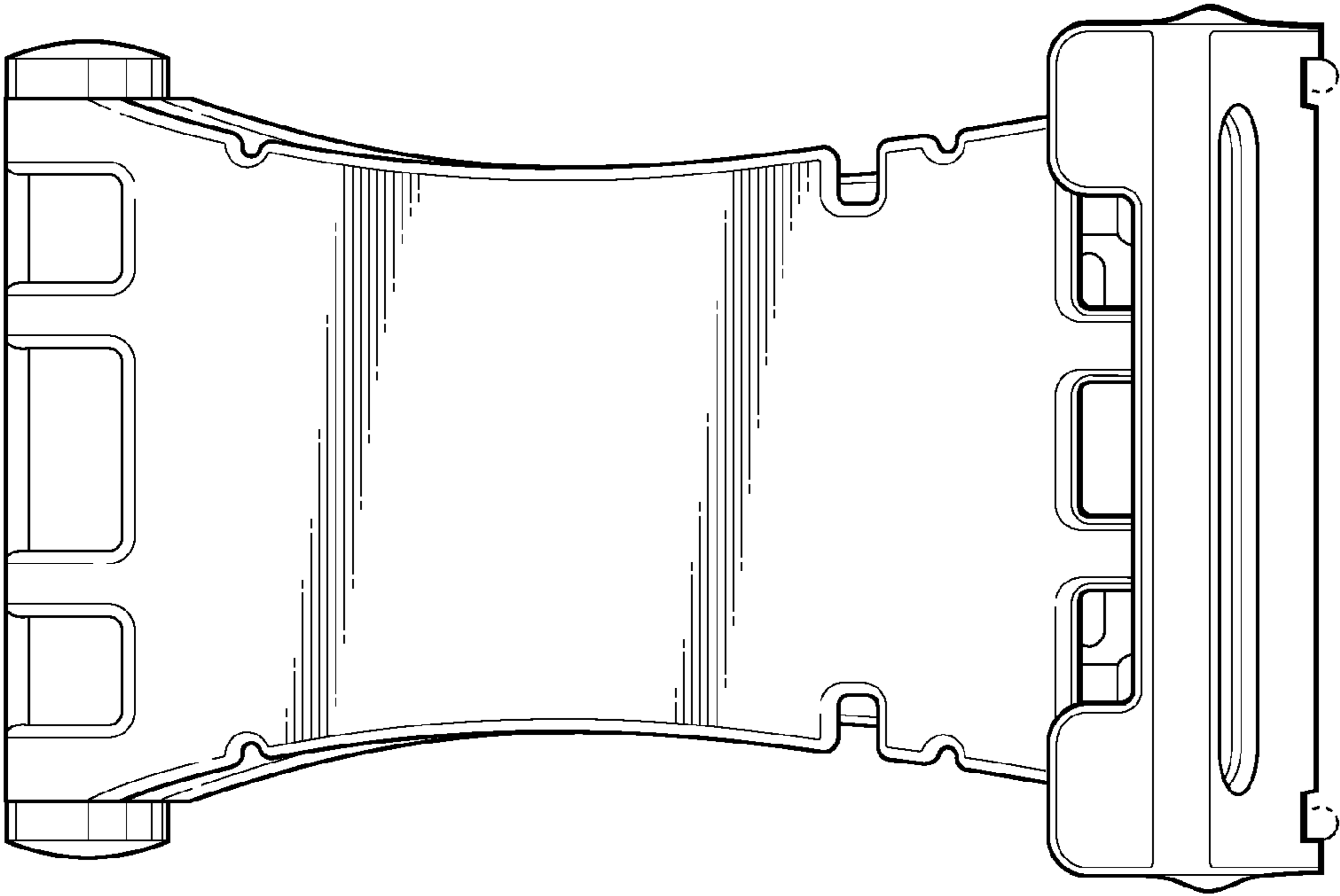


FIG. 3

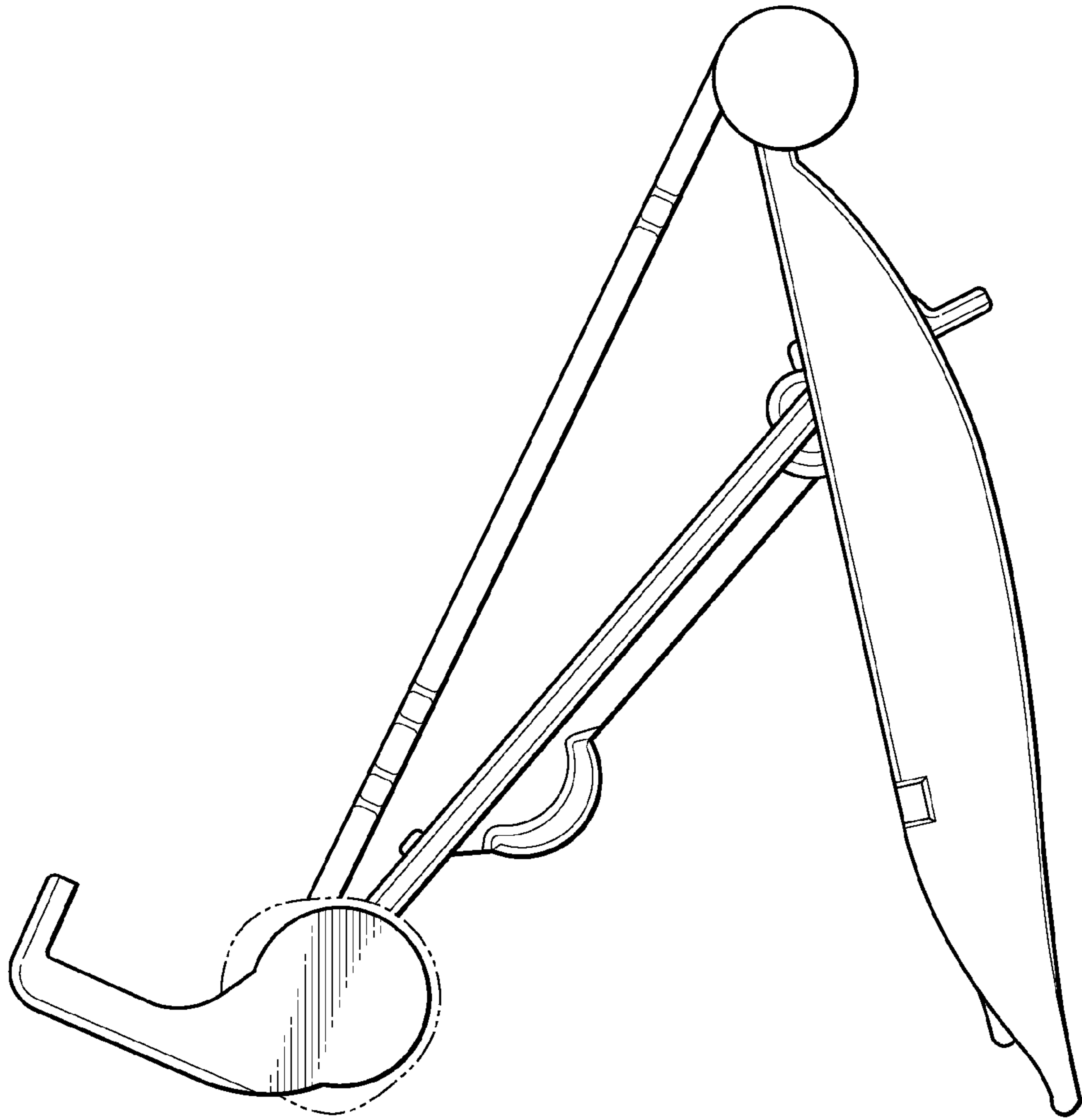


FIG. 5

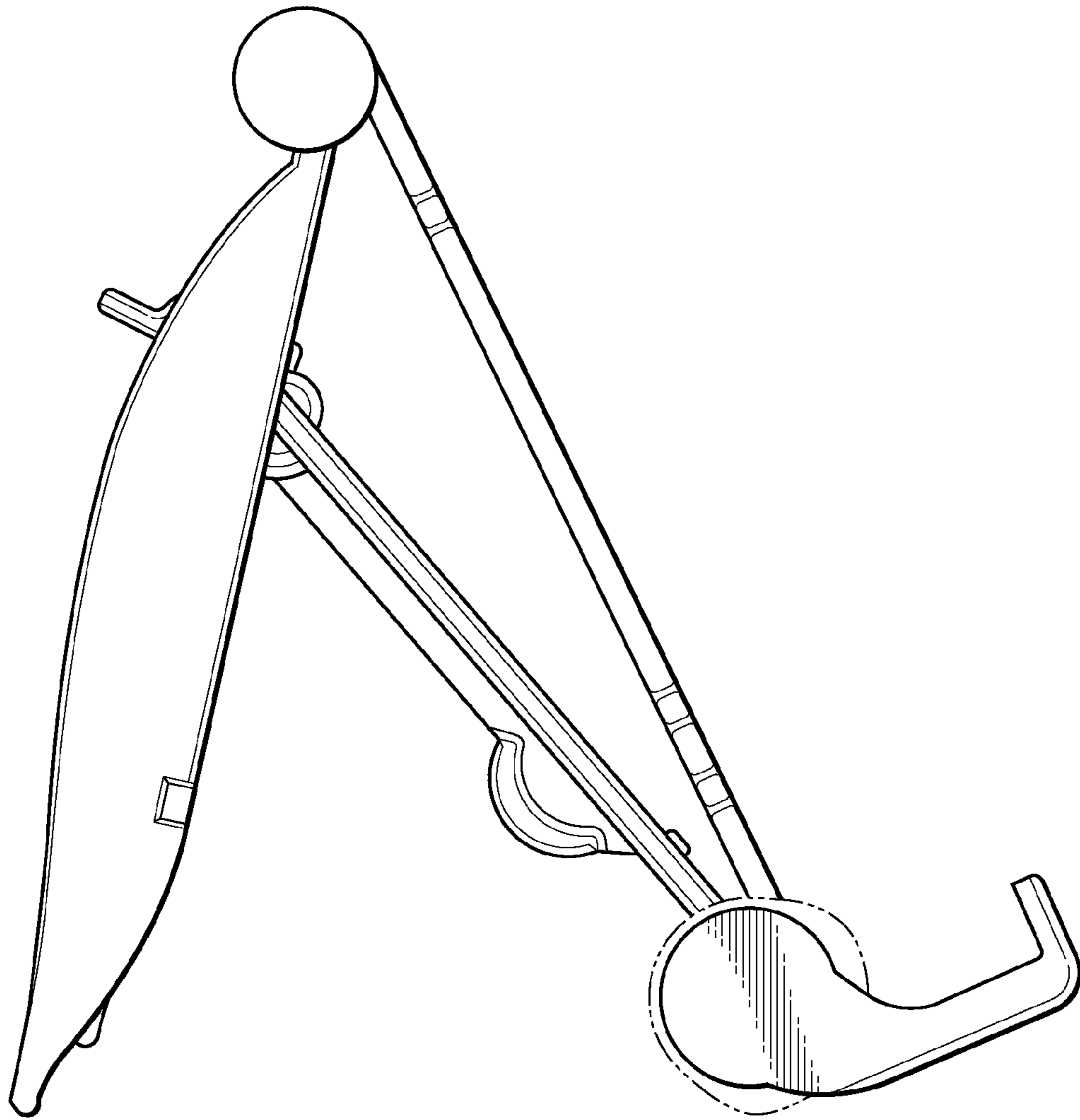


FIG. 6

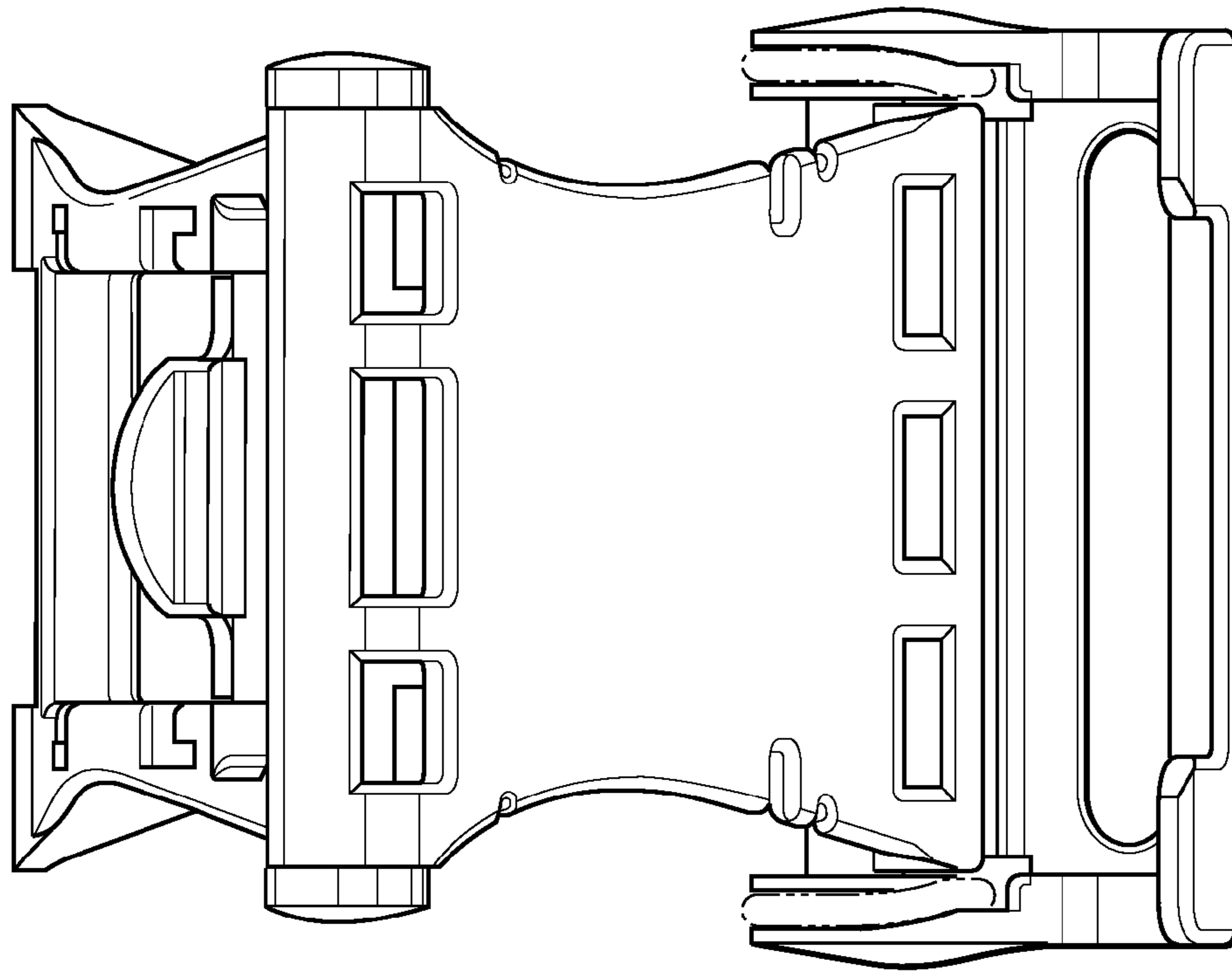


FIG. 7

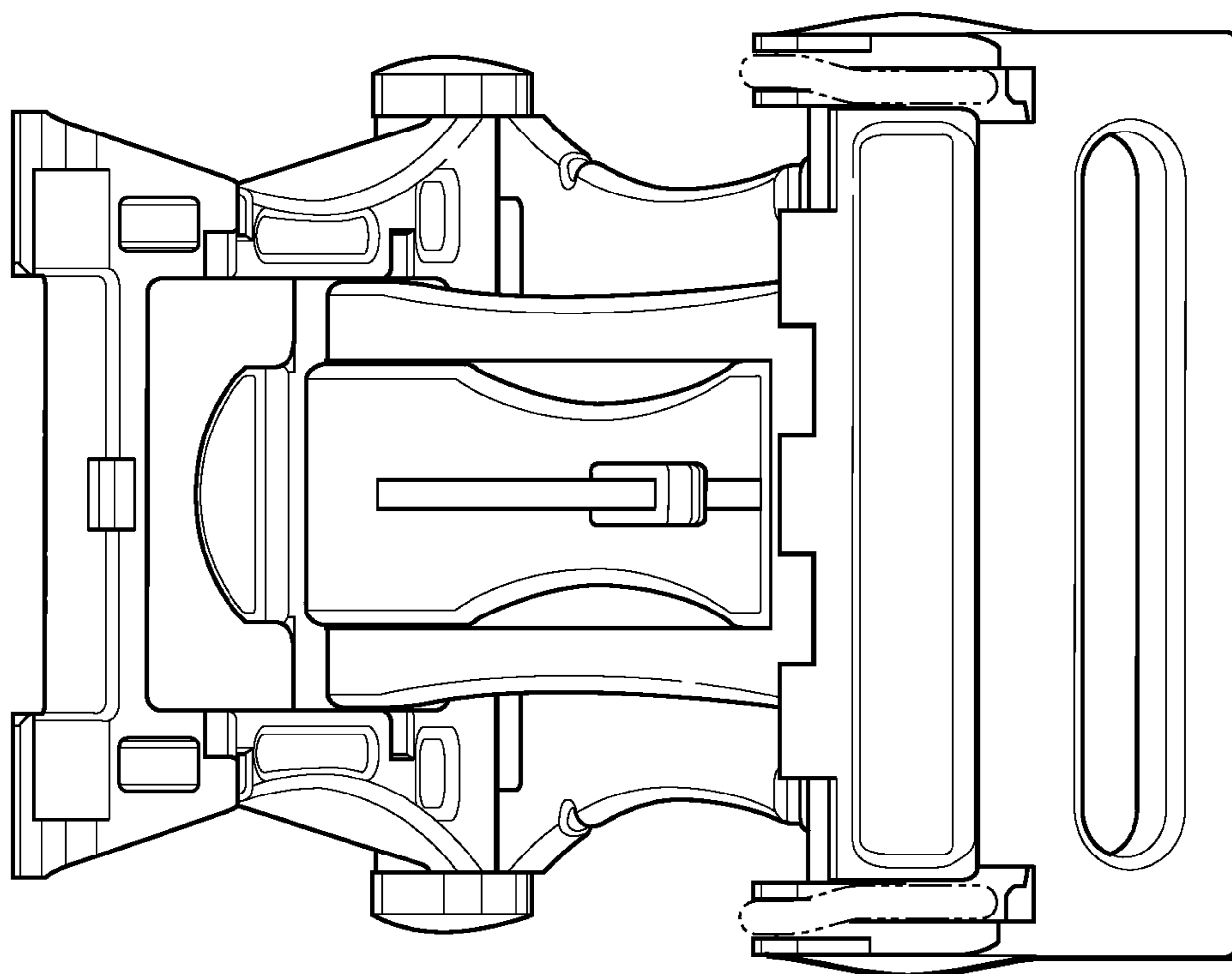


FIG. 8

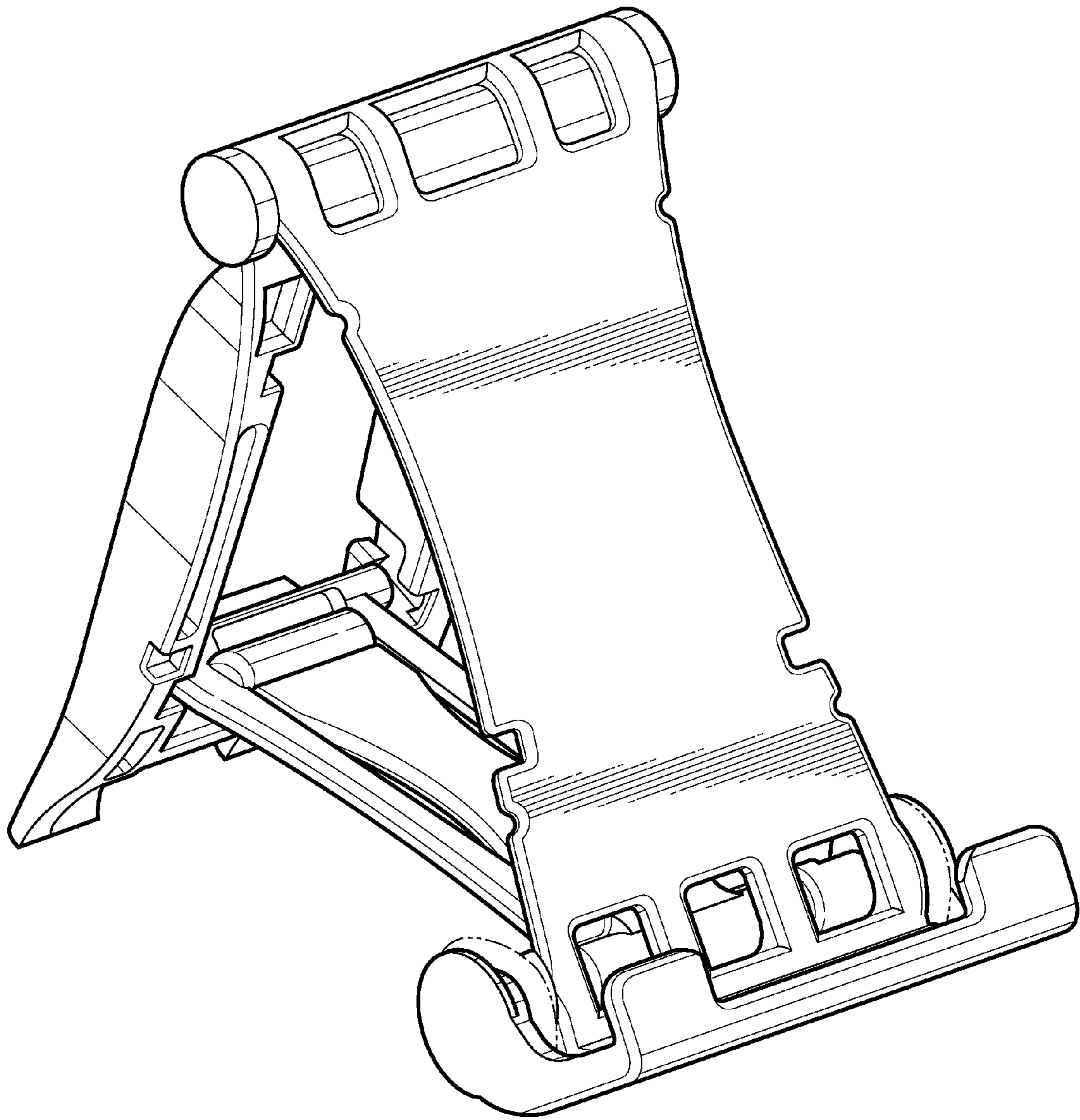


FIG. 9

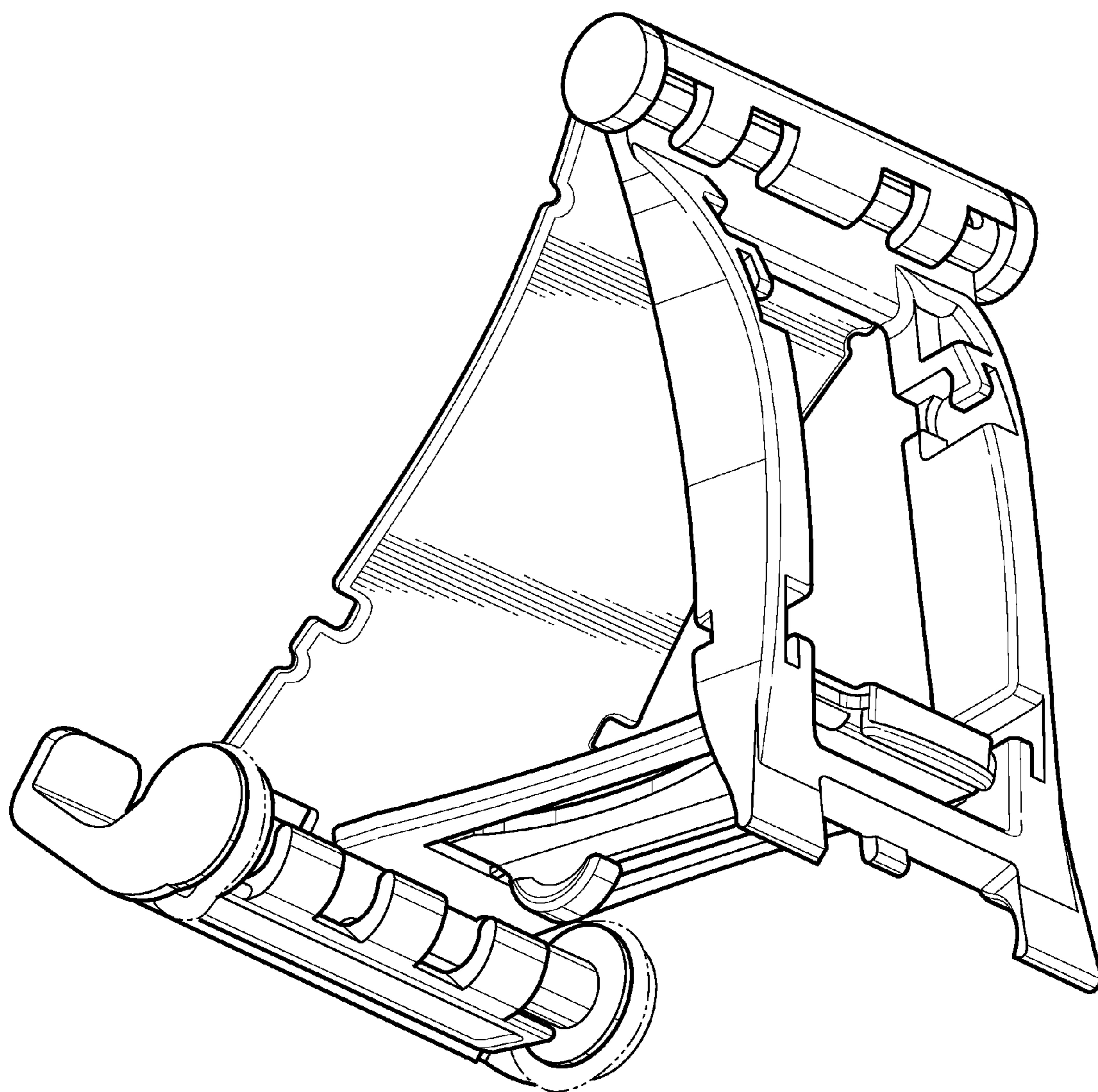


FIG. 10

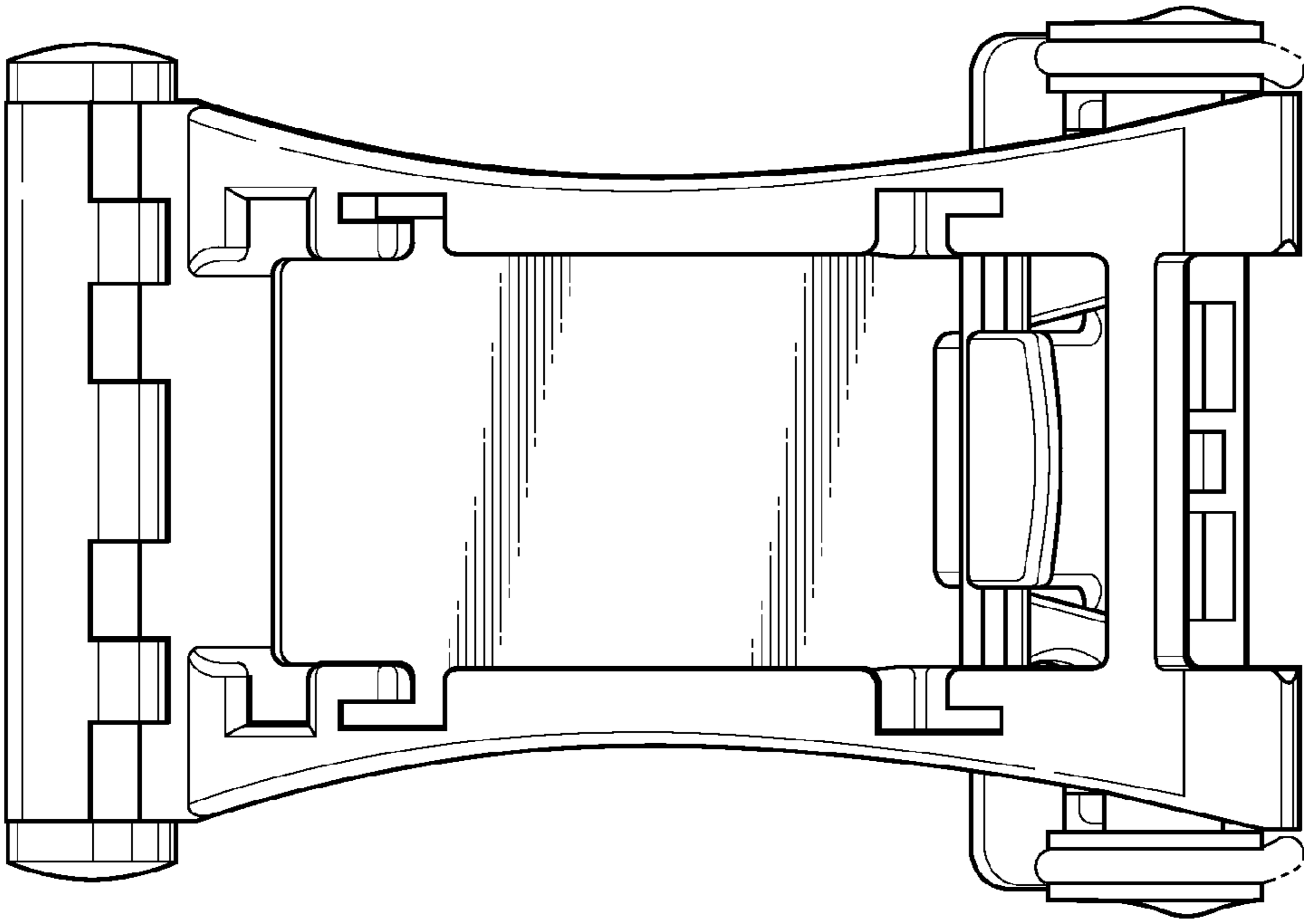


FIG. 12

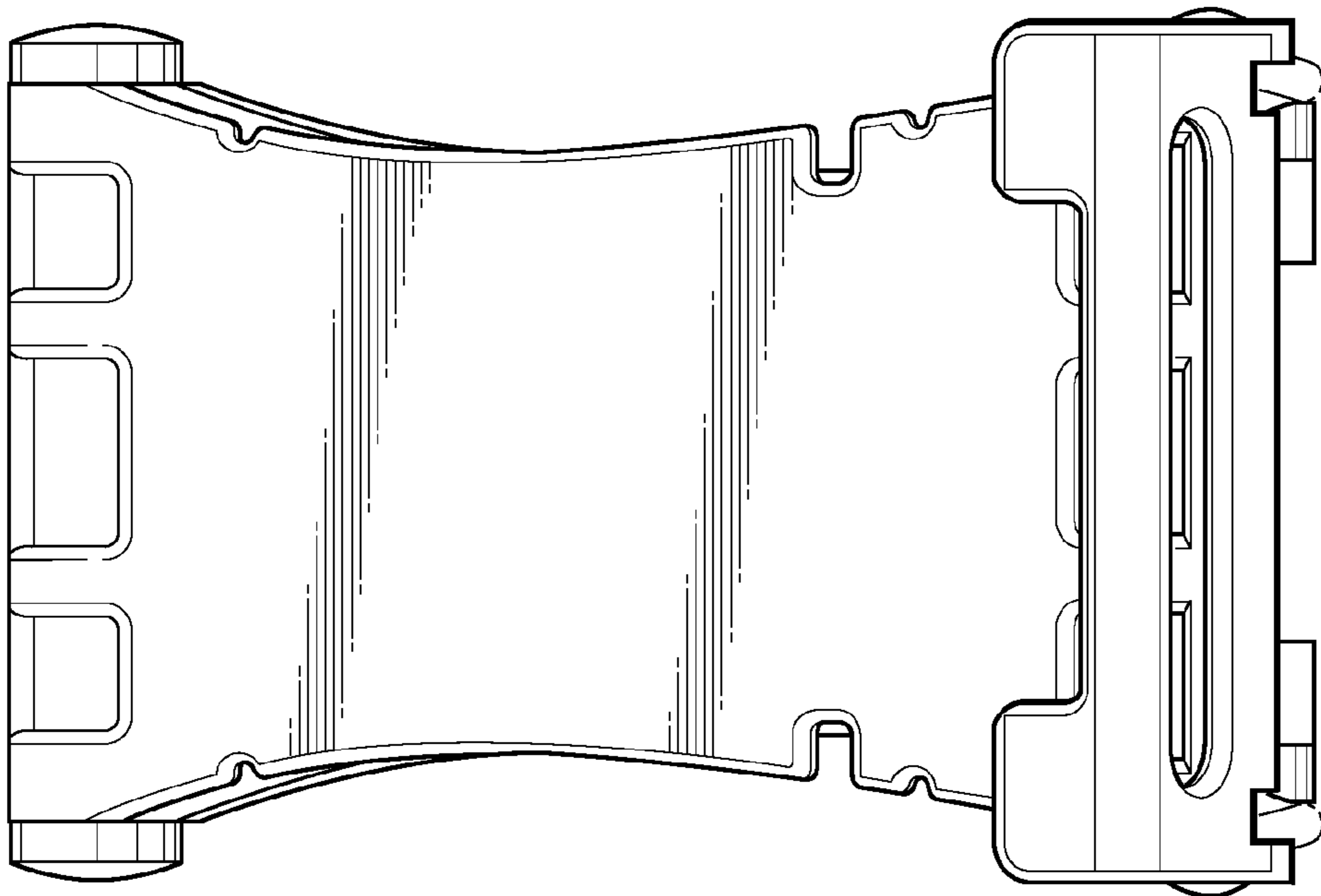


FIG. 11

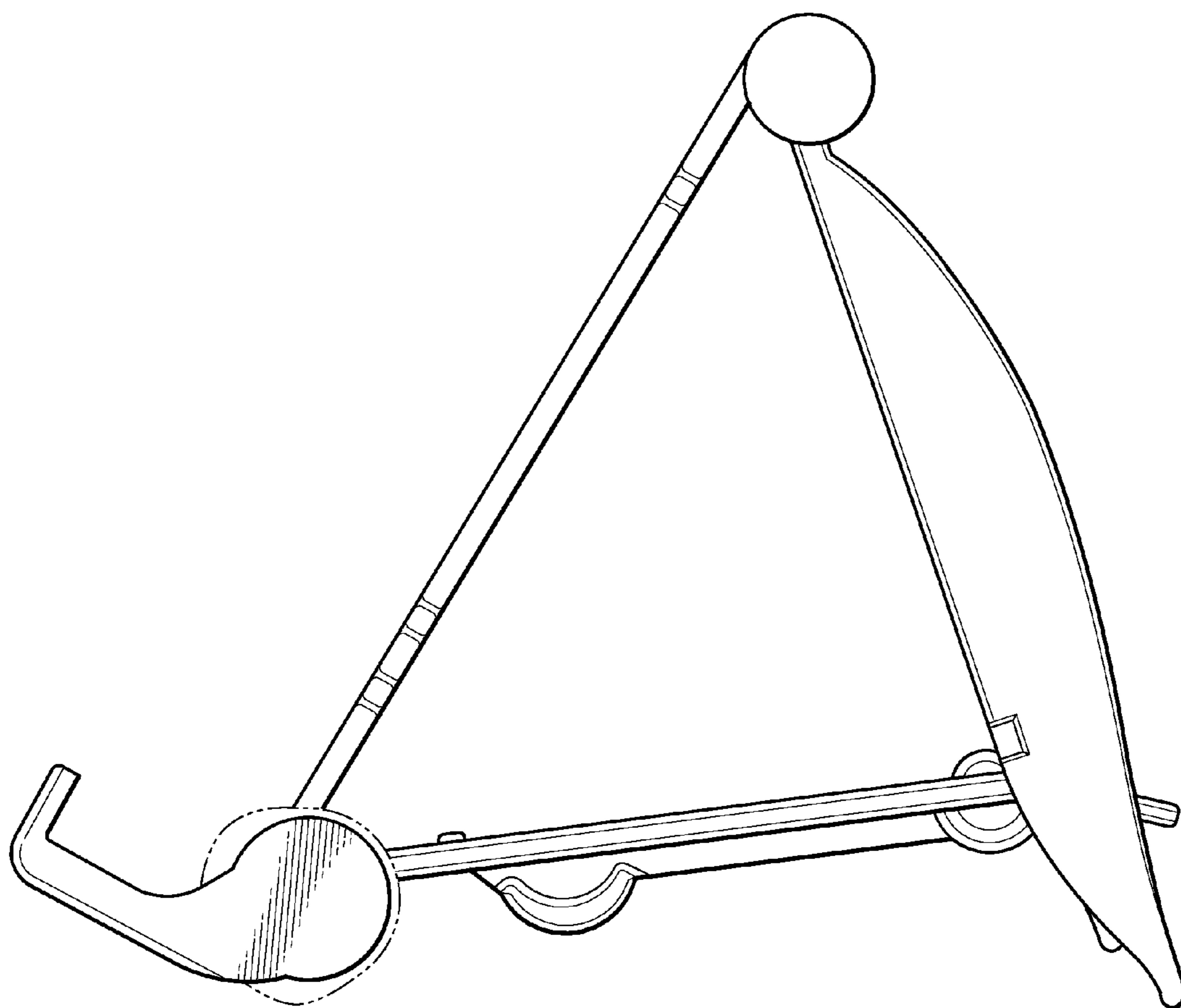


FIG. 13

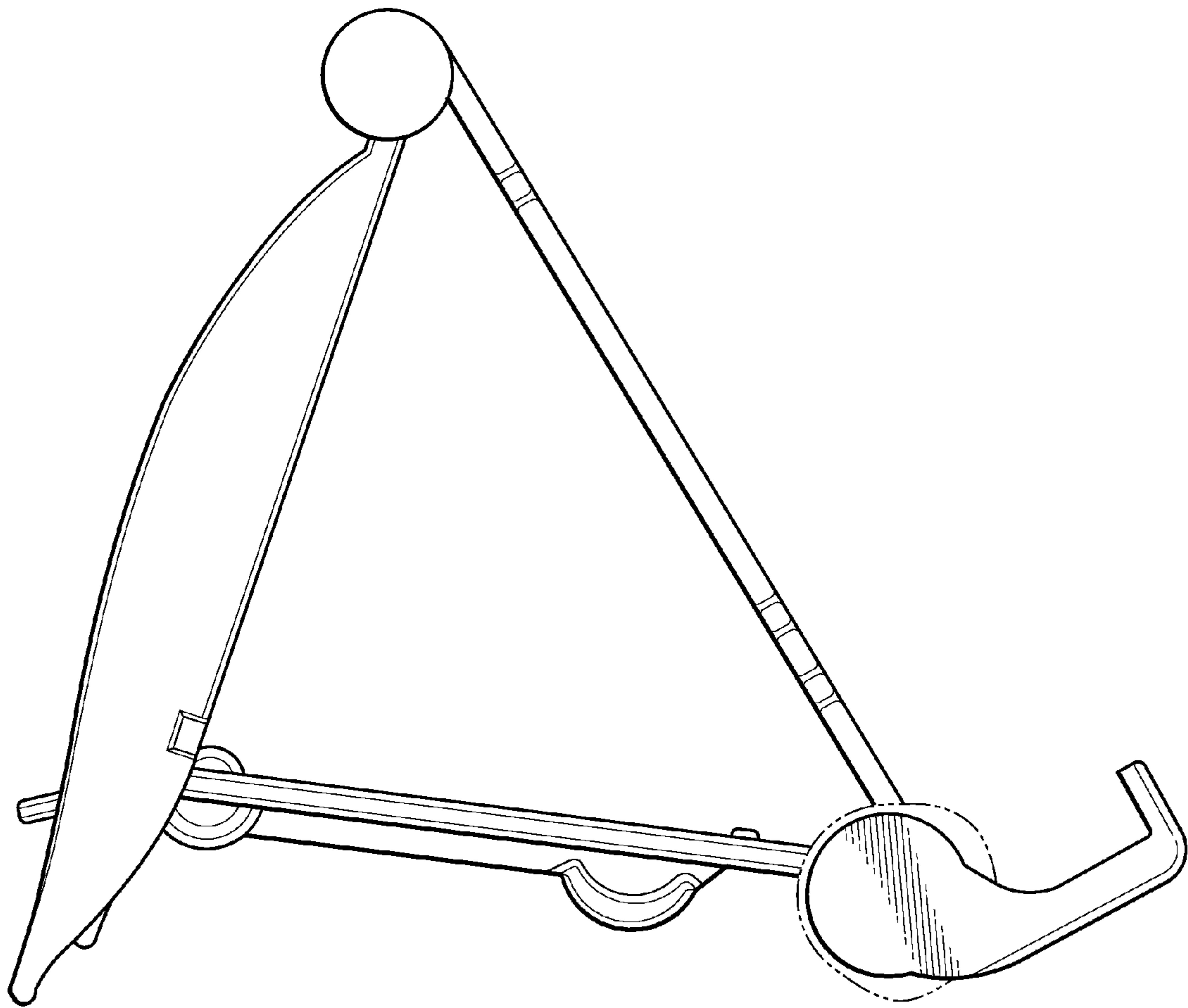


FIG. 14

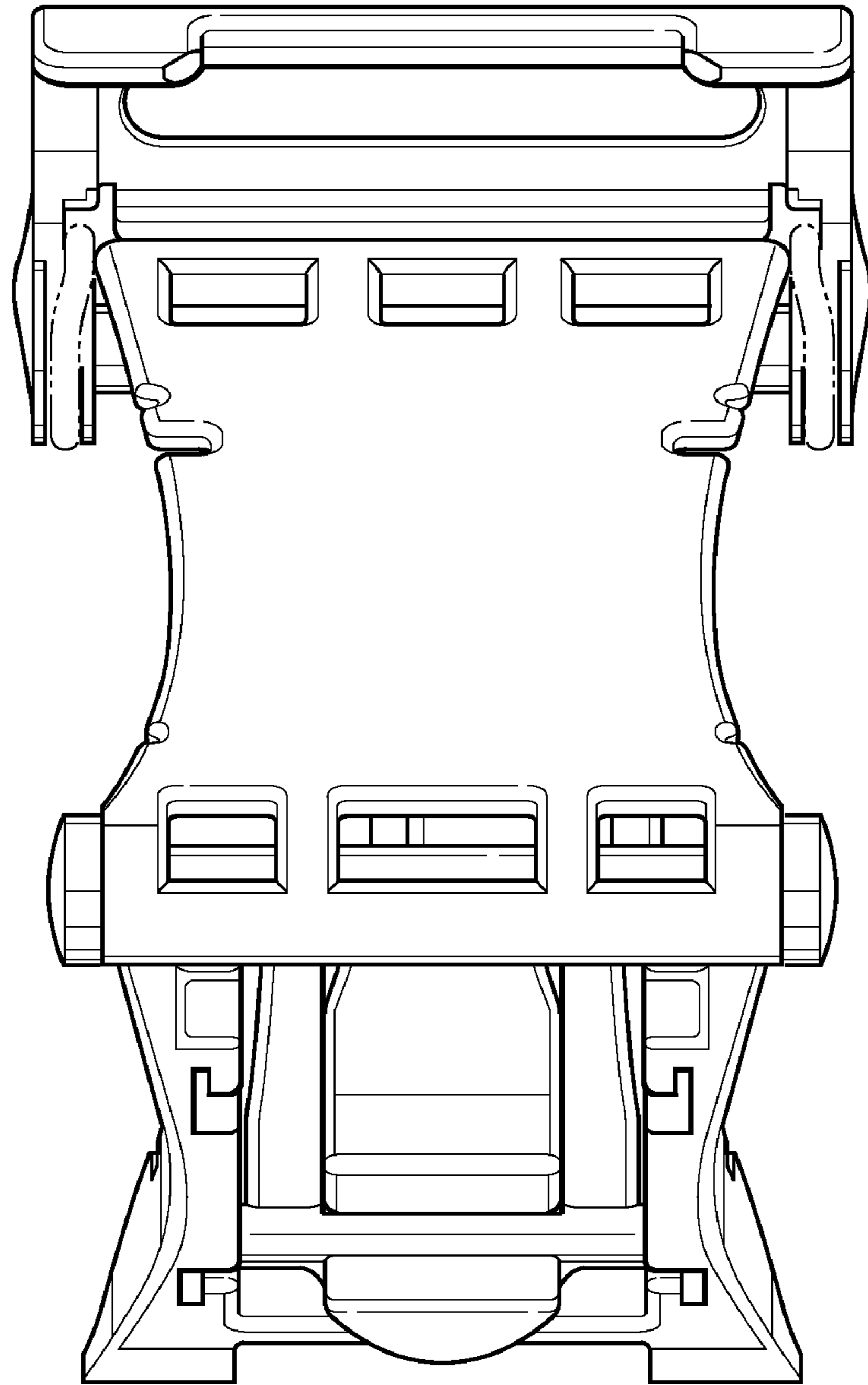


FIG. 15

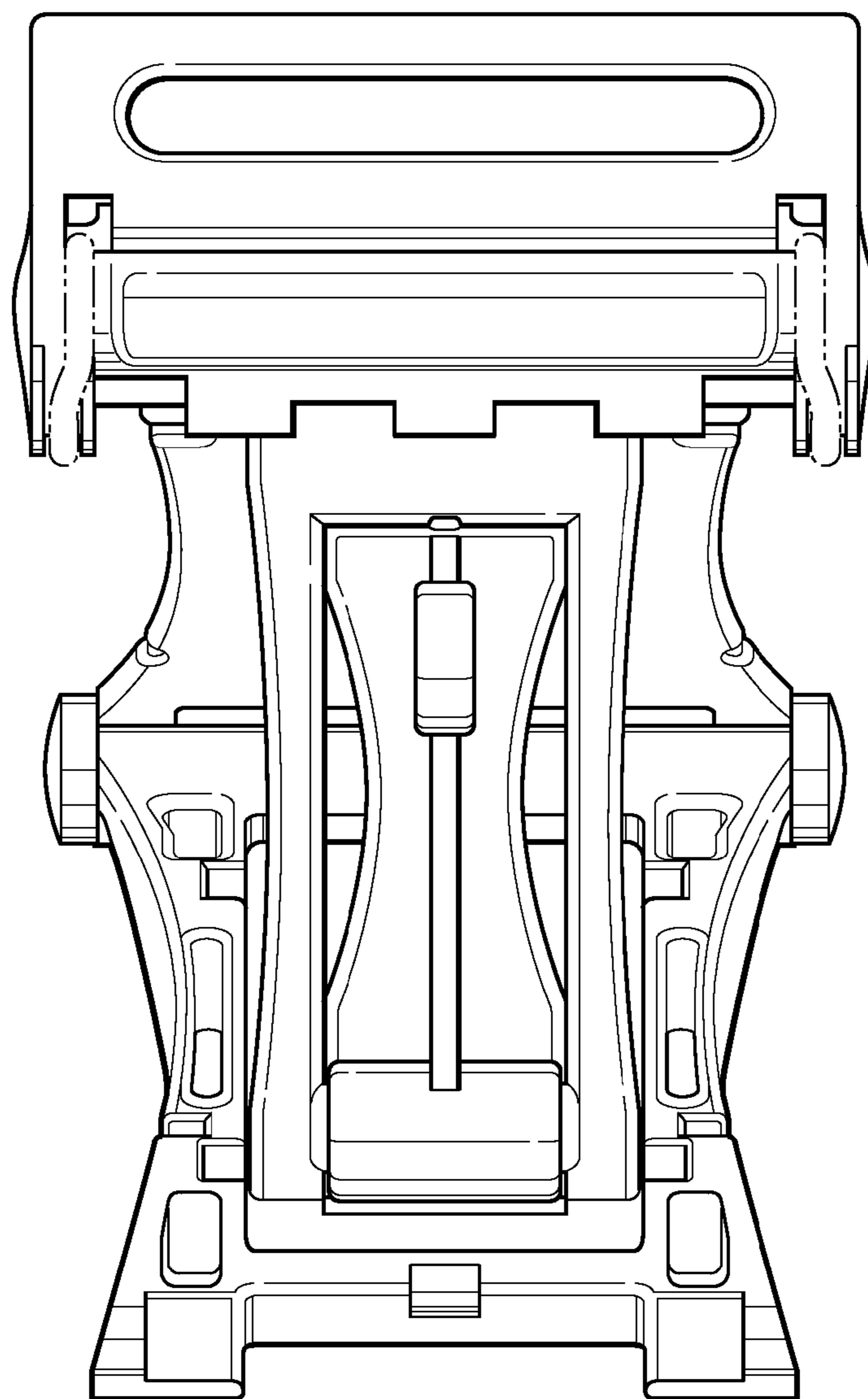


FIG. 16

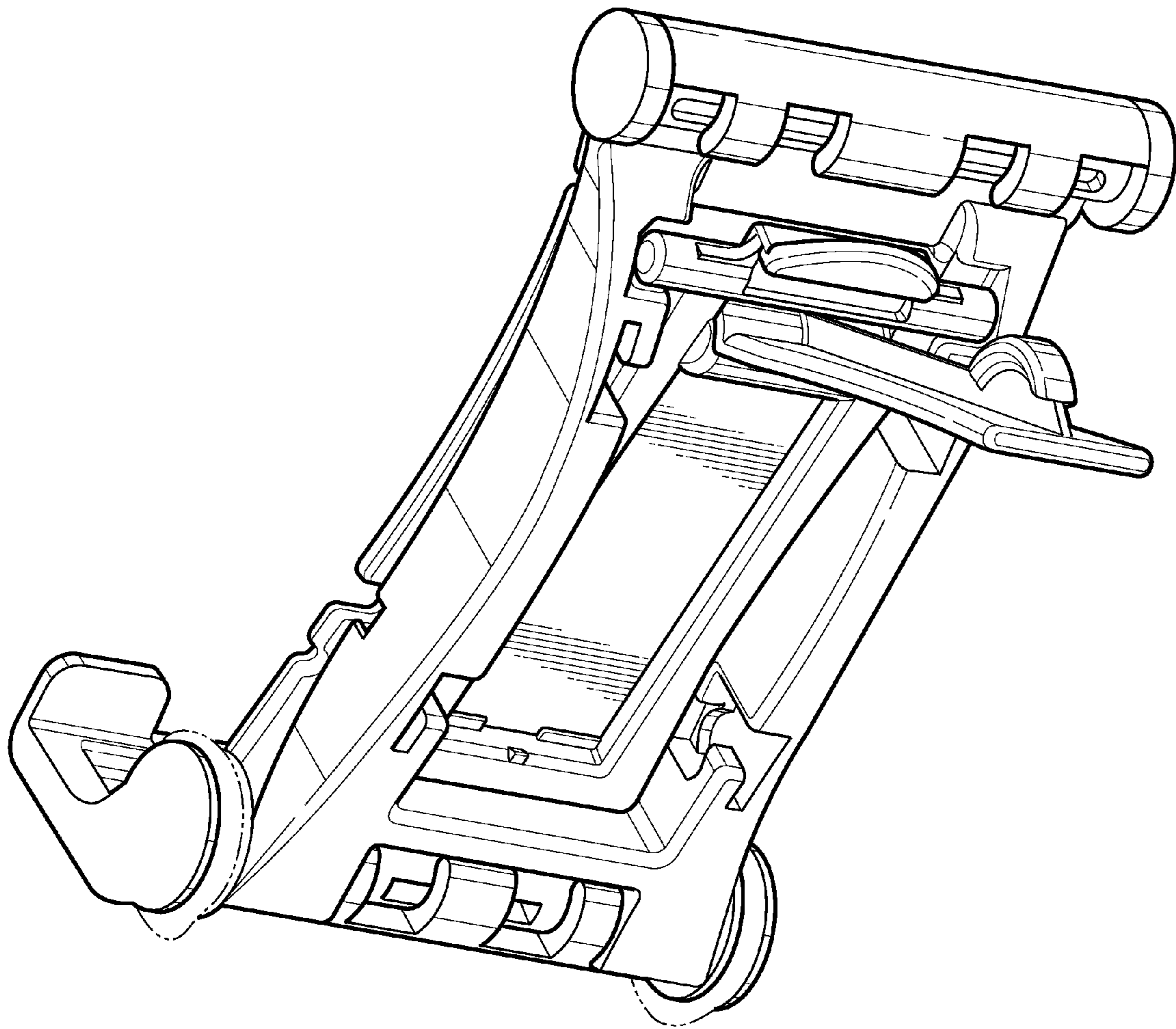


FIG. 17

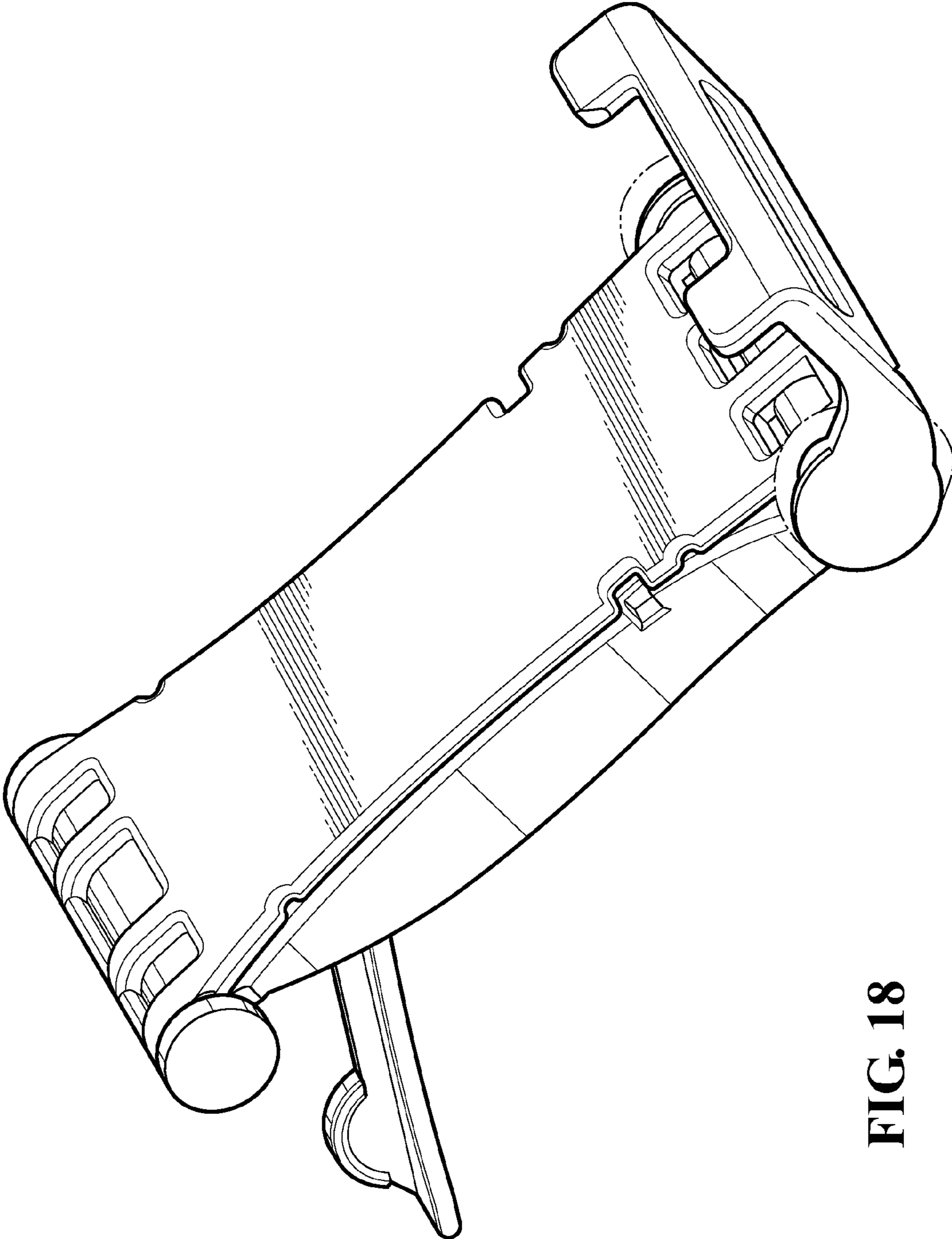


FIG. 18

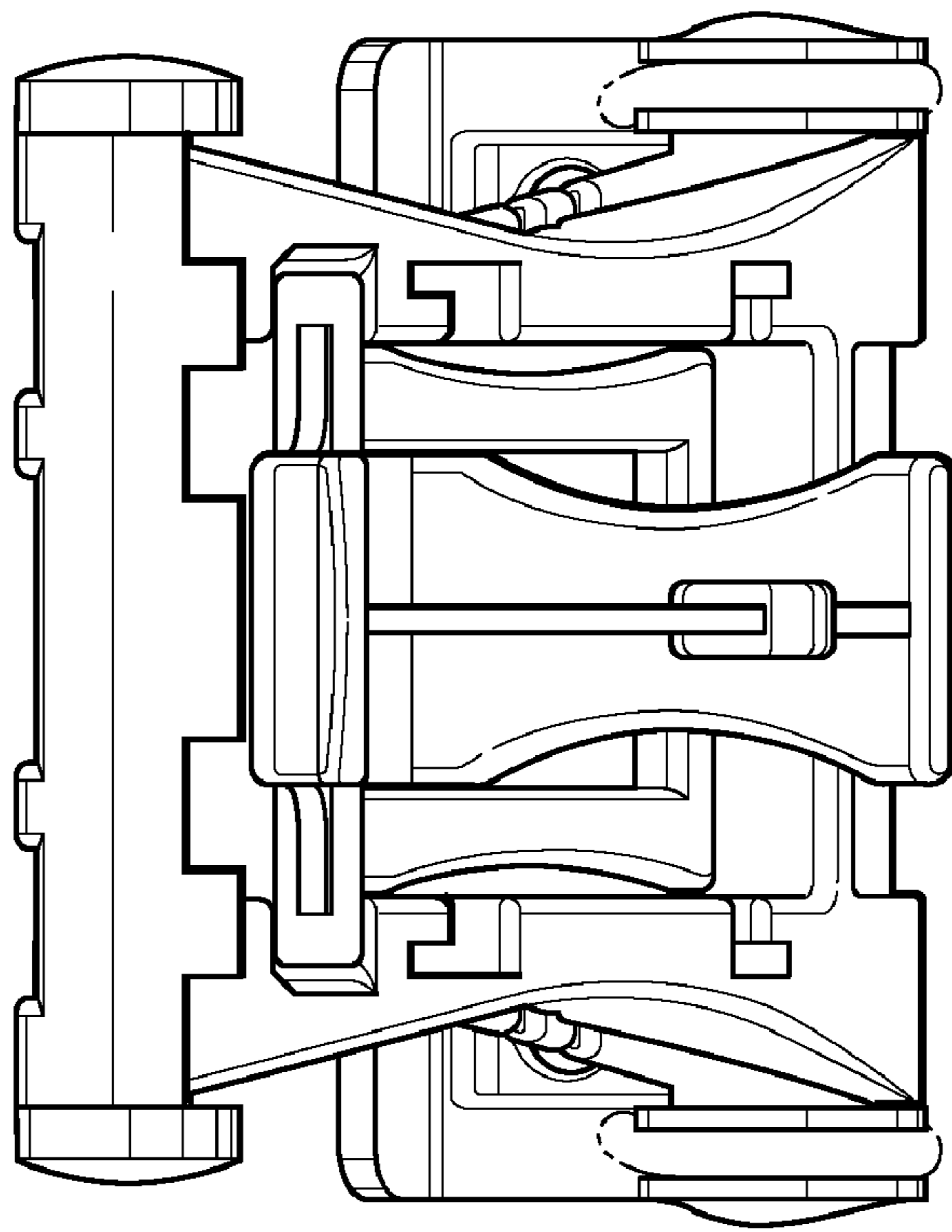


FIG. 20

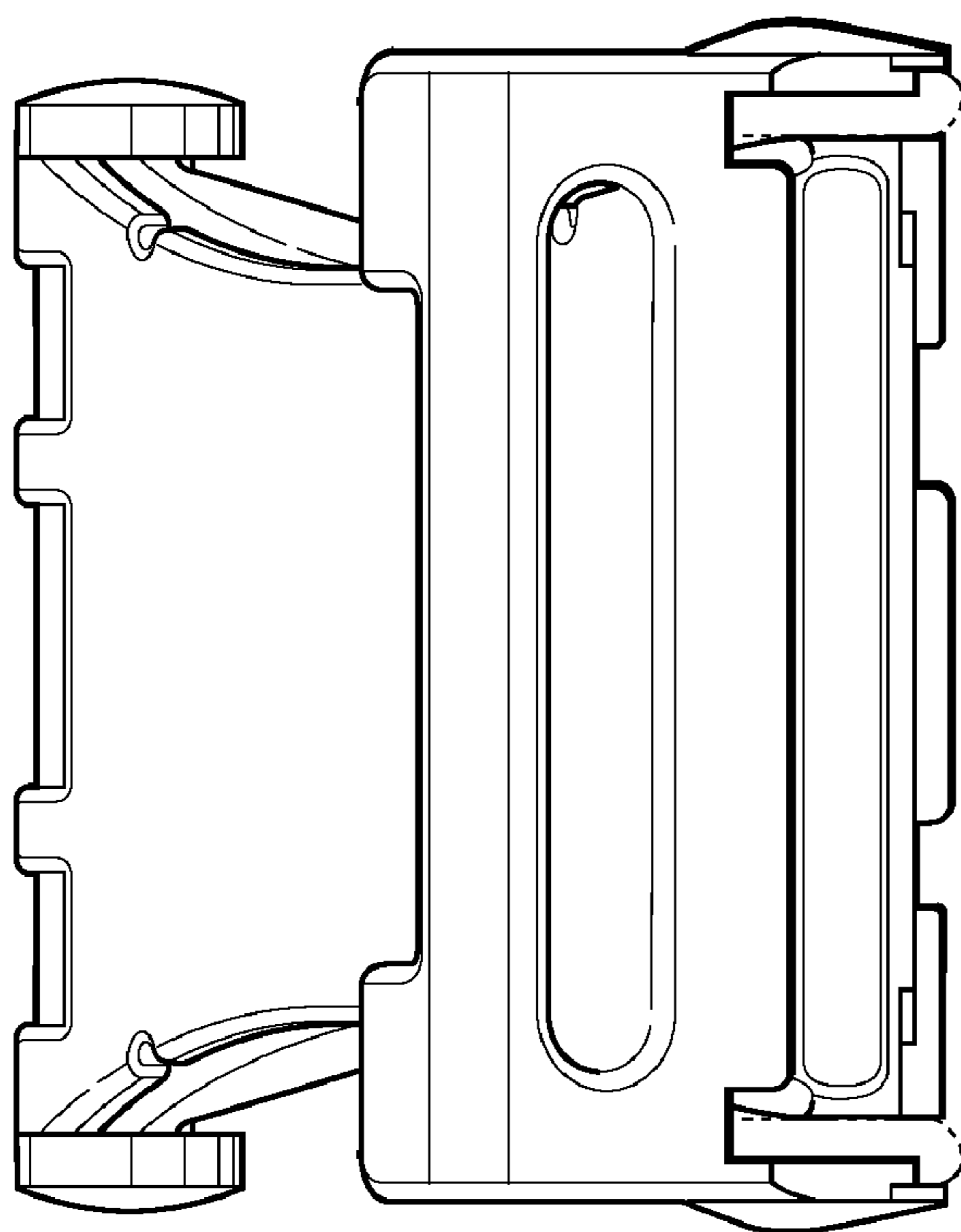


FIG. 19

FIG. 21

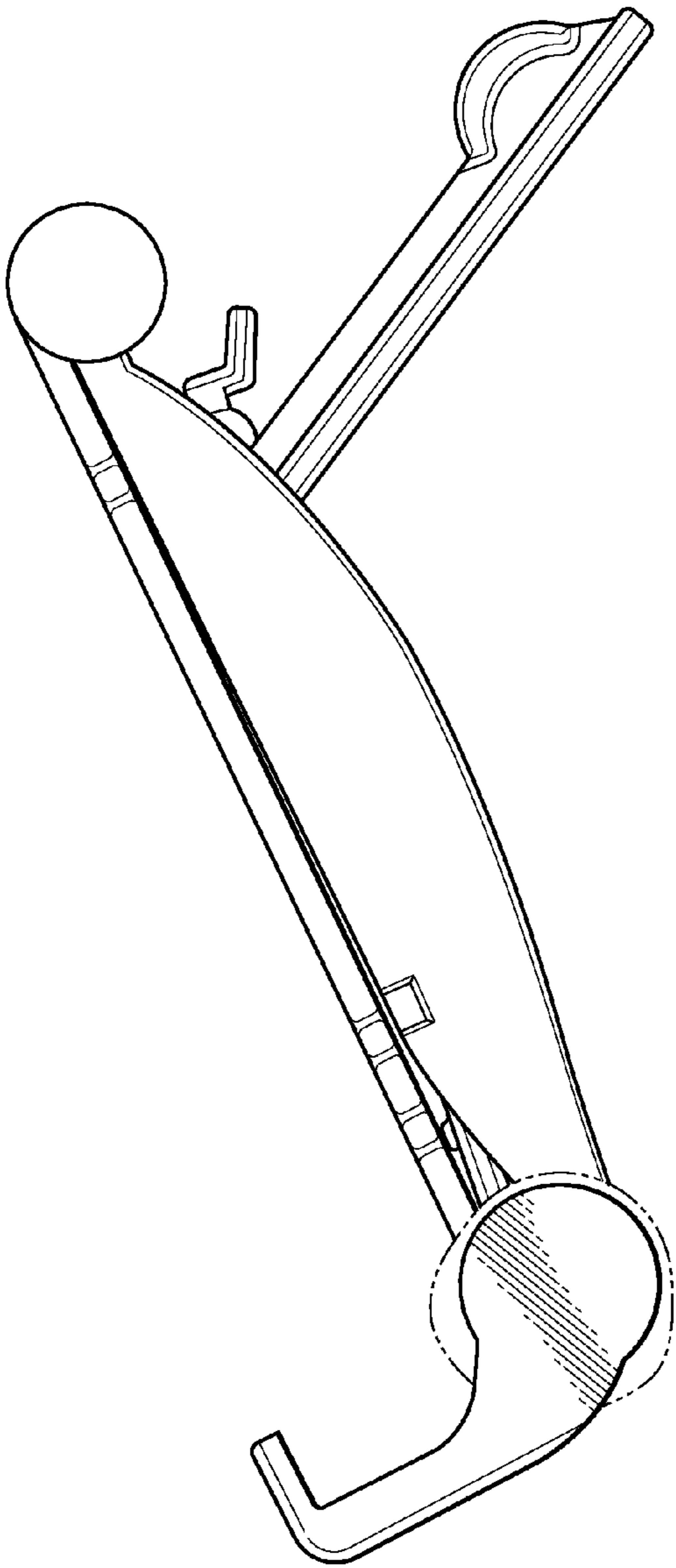
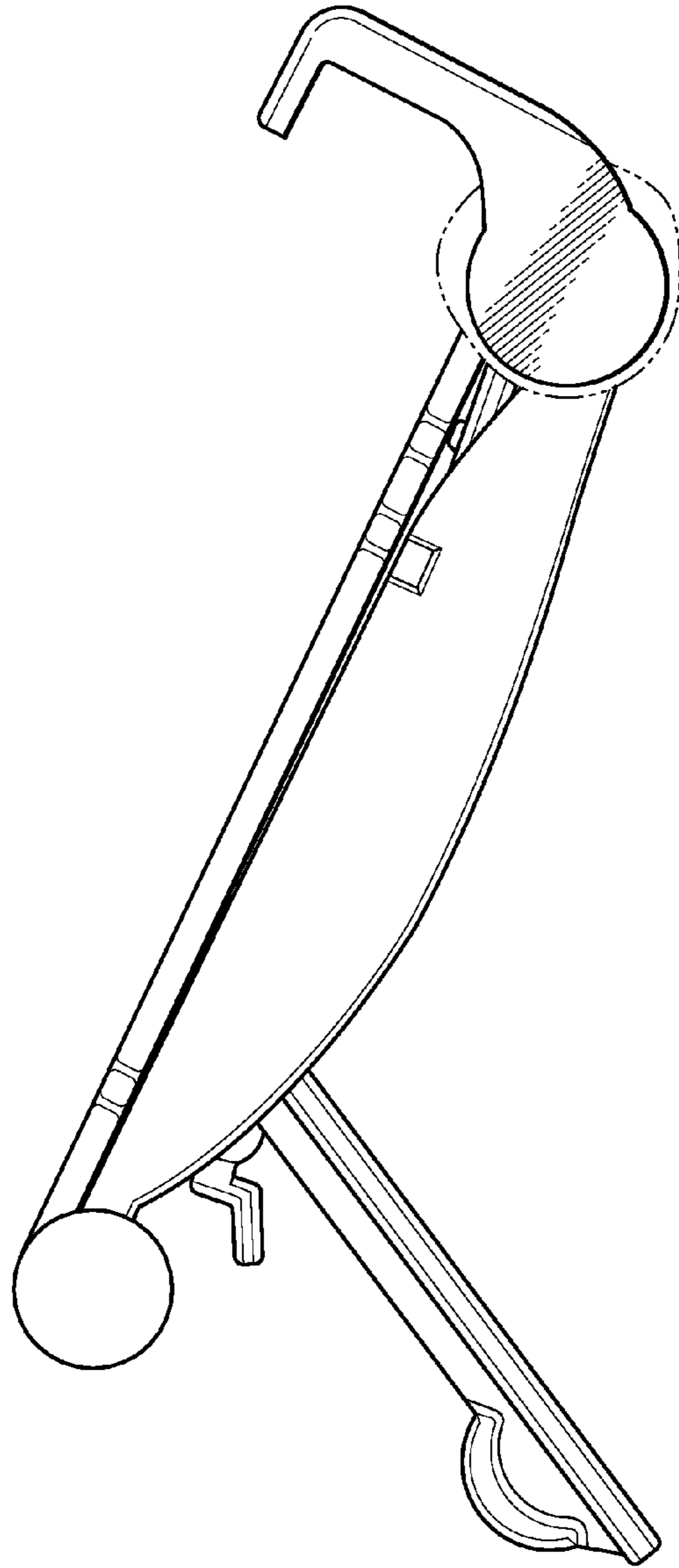


FIG. 22



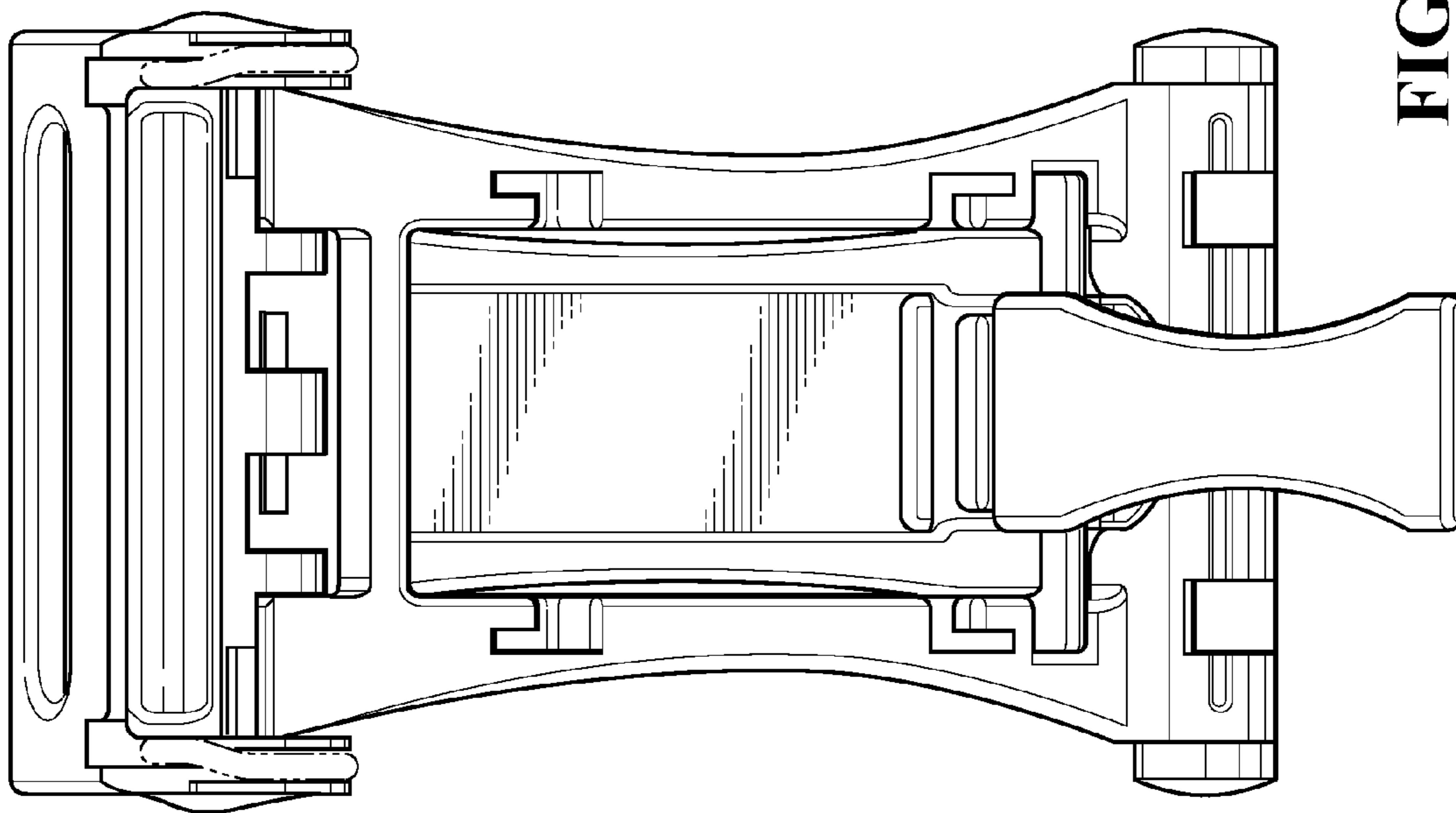


FIG. 24

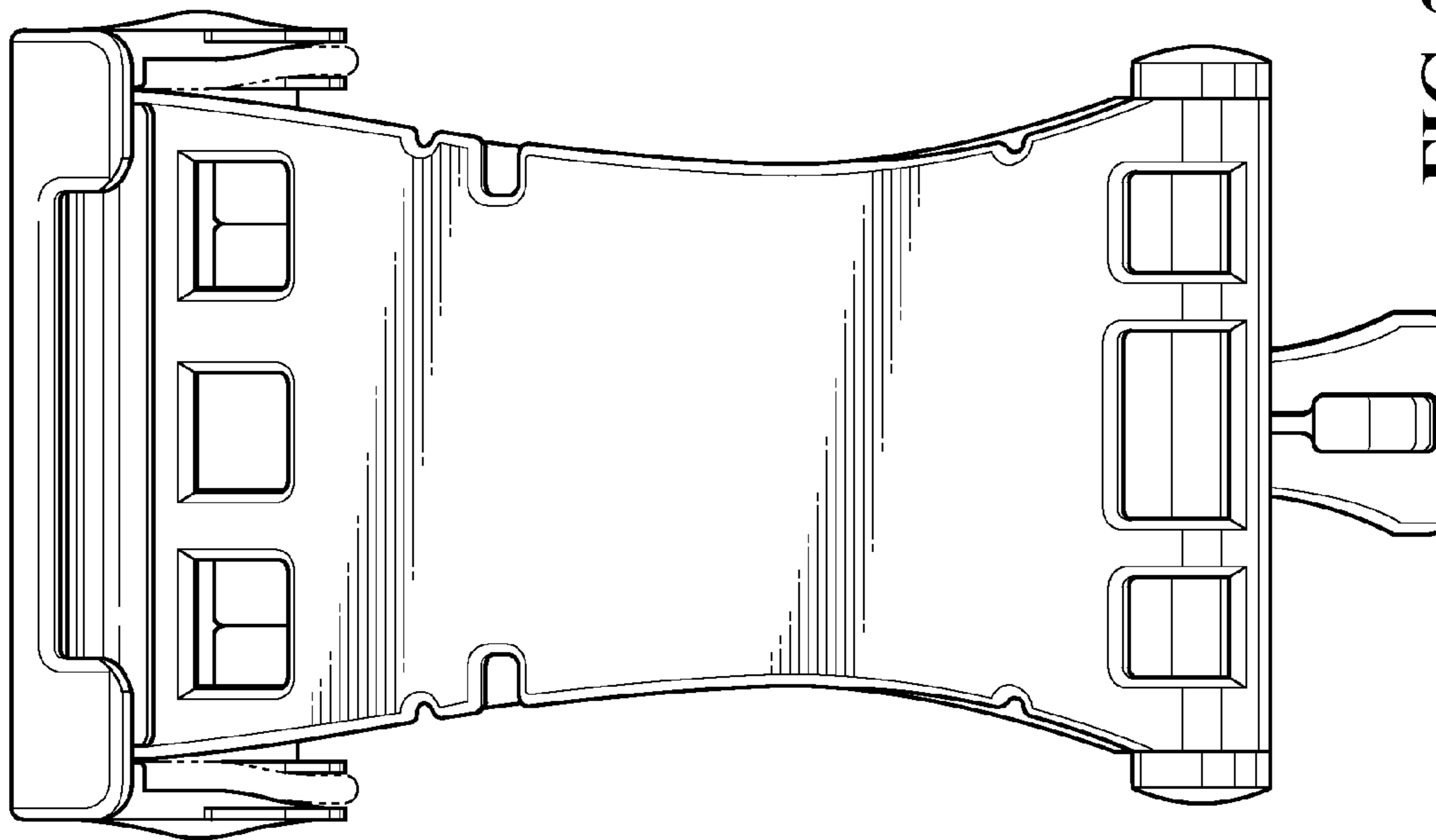


FIG. 23