



US00D658167S

(12) **United States Design Patent**
Buesseler et al.

(10) **Patent No.:** **US D658,167 S**

(45) **Date of Patent:** **** Apr. 24, 2012**

(54) **STAND FOR CELLULAR PHONE**

(75) Inventors: **Joshua Buessler**, Seattle, WA (US);
David Byron, Seattle, WA (US)

(73) Assignee: **Texturadesign, Inc.**, Seattle, WA (US)

(**) Term: **14 Years**

(21) Appl. No.: **29/385,746**

(22) Filed: **Feb. 18, 2011**

(51) **LOC (9) Cl.** **14-04**

(52) **U.S. Cl.** **D14/251; D14/253**

(58) **Field of Classification Search** D14/142,
D14/149, 155, 157, 188, 191–193, 230.1–203.8,
D14/217, 251, 253, 432–435.1, 447, 451,
D14/496, 474, 480.1–480.7; D13/107, 108,
D13/118; D3/215, 218, 328, 329; 248/221.11,
248/309.1; 320/107, 110, 113–115; 361/600;
439/529, 534; 455/556.1–556.2, 557; 24/3.1;
D8/349, 354, 373

See application file for complete search history.

(56) **References Cited**

U.S. PATENT DOCUMENTS

D338,471 S * 8/1993 Evenson et al. D14/251
D401,710 S * 11/1998 Genovese D34/13

D416,914 S * 11/1999 Lummis D14/251
D470,937 S * 2/2003 Gary et al. D24/138
D557,693 S * 12/2007 Kim et al. D14/251
D560,115 S * 1/2008 Peyridieu et al. D8/373

* cited by examiner

Primary Examiner — Brian N Vinson

(74) *Attorney, Agent, or Firm* — Dorsey & Whitney LLP

(57) **CLAIM**

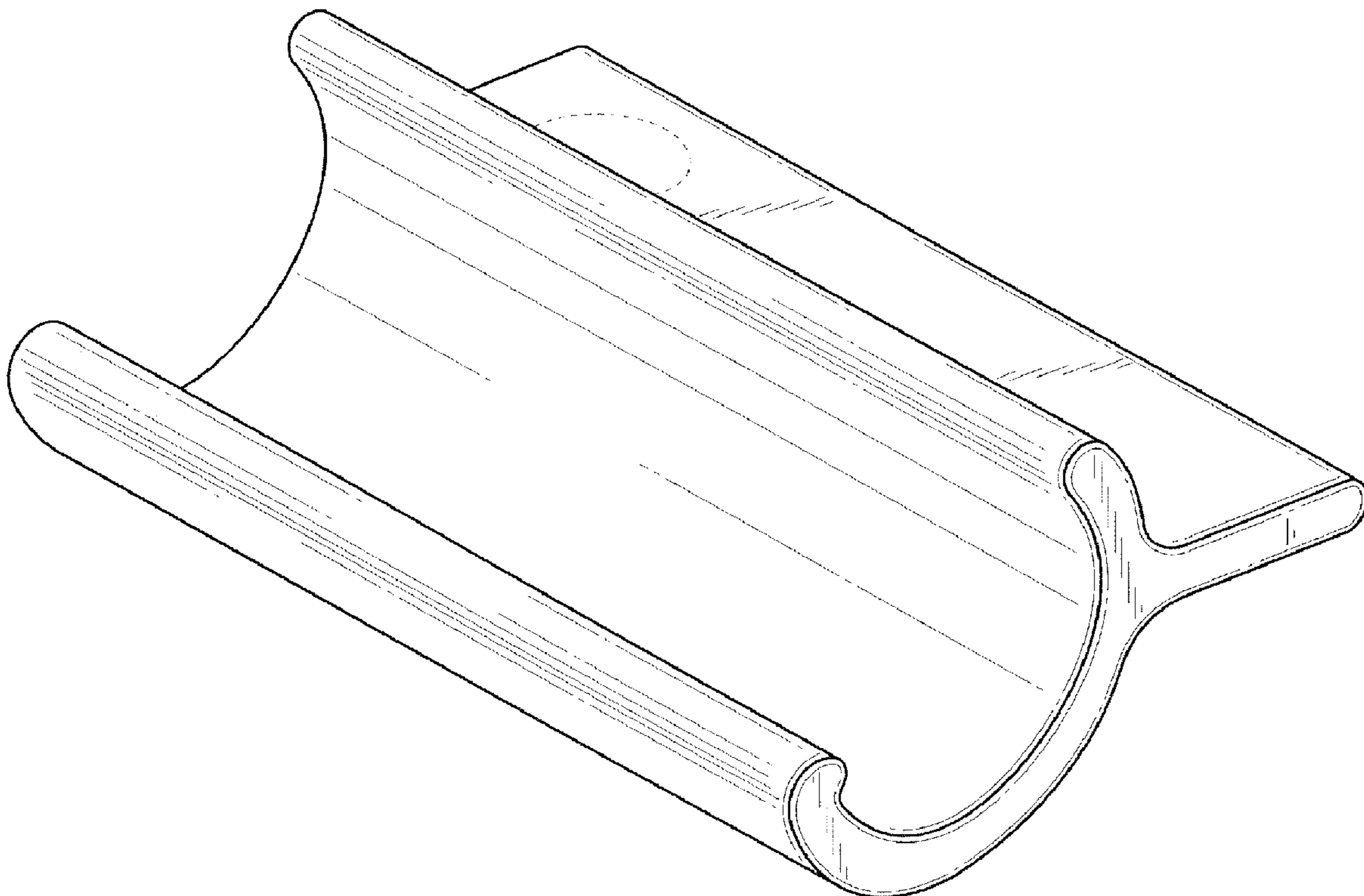
The ornamental design for a stand for a cellular phone, as shown and described.

DESCRIPTION

FIG. 1 is a top, front, and right side perspective view of a stand for a cellular phone showing our new design; FIG. 2 is a right side elevational view thereof; FIG. 3 is a left side elevational view thereof; FIG. 4 is a rear elevational view thereof; FIG. 5 is a front elevational view thereof; FIG. 6 is a top plan view thereof; and, FIG. 7 is a bottom plan view thereof.

The broken-line disclosure in the views is understood to represent portions of the article in which the claimed design is embodied, but which form no part of the claimed design.

1 Claim, 6 Drawing Sheets



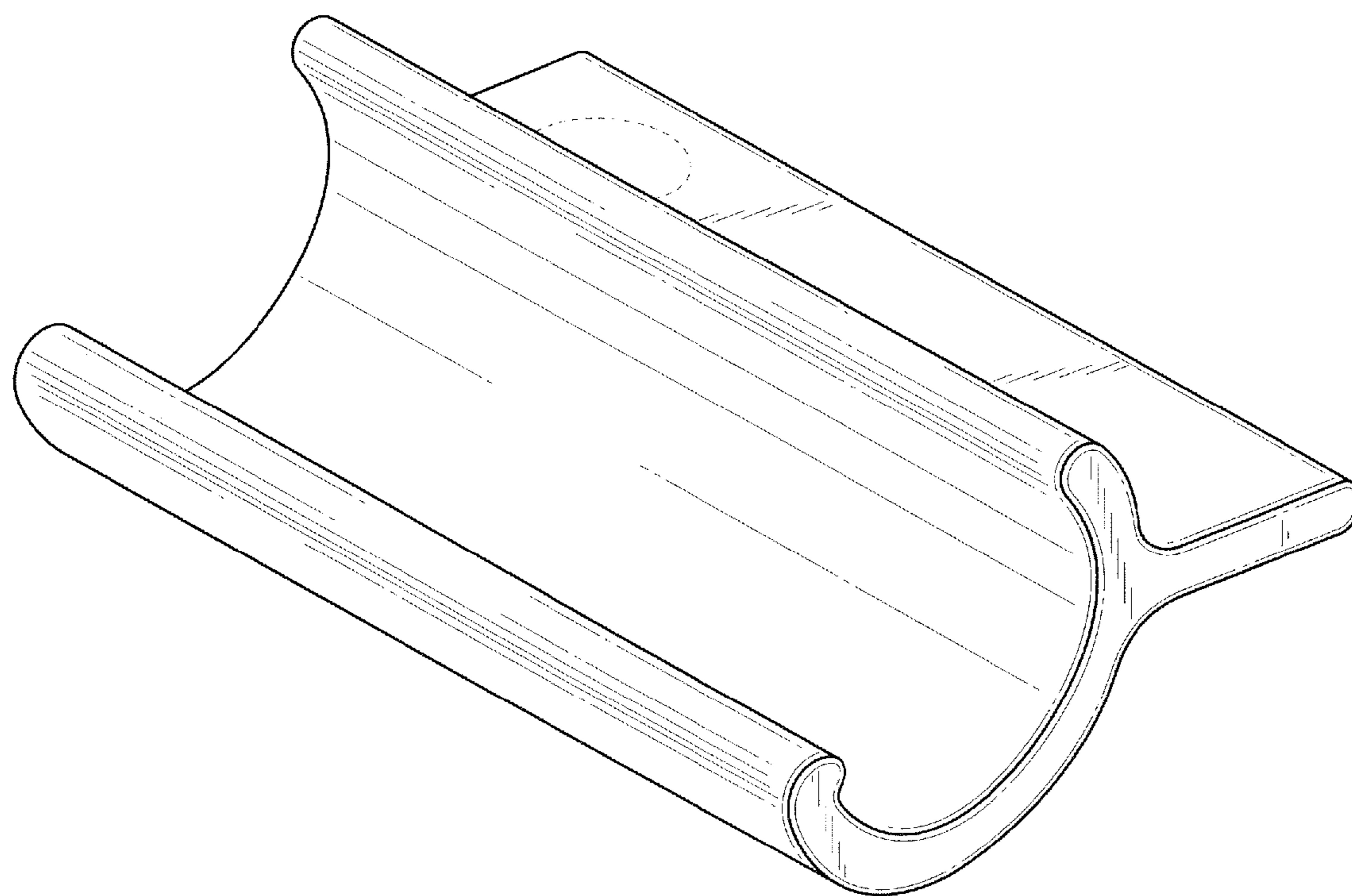


Fig. 1

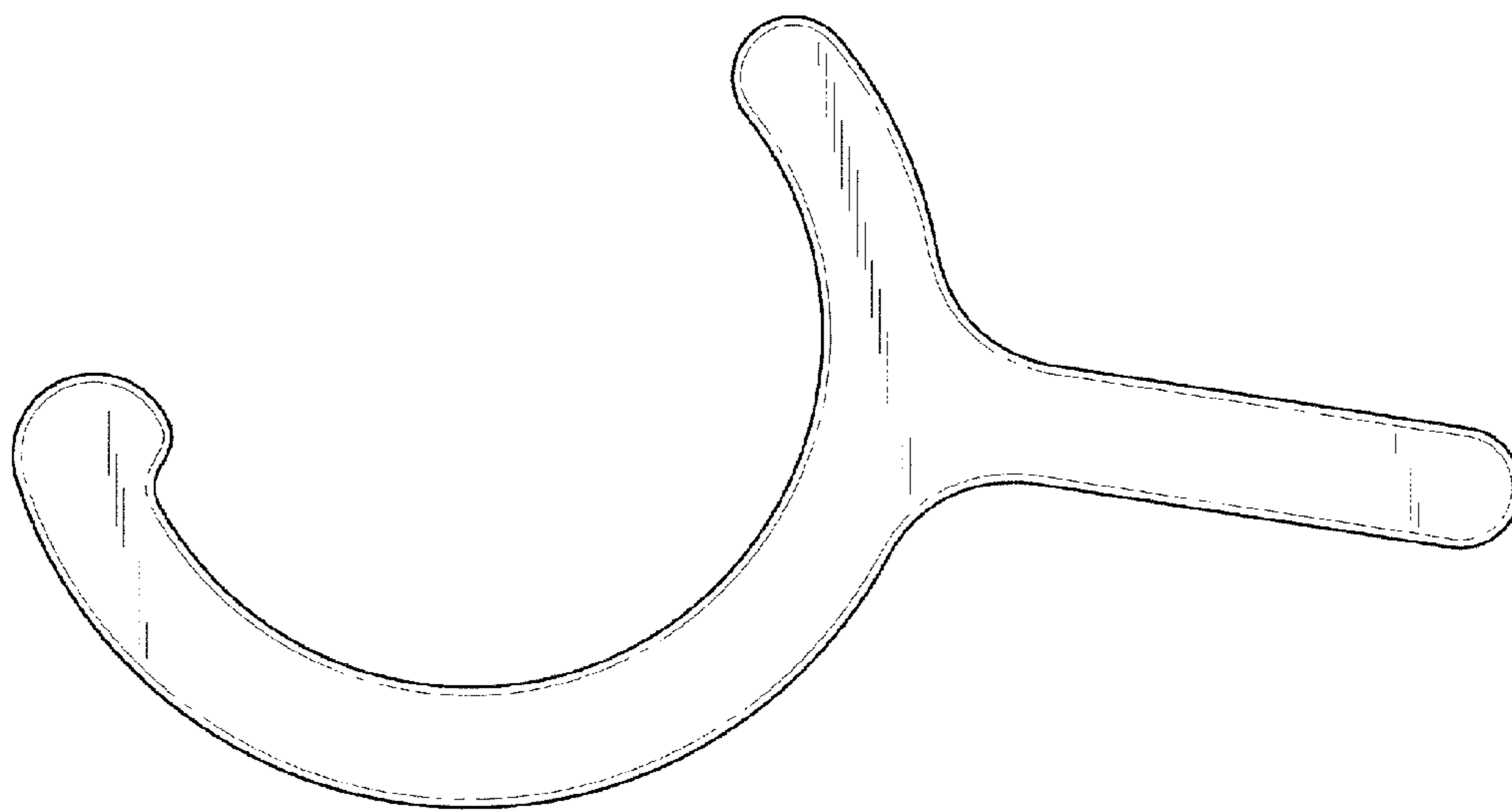


Fig. 2

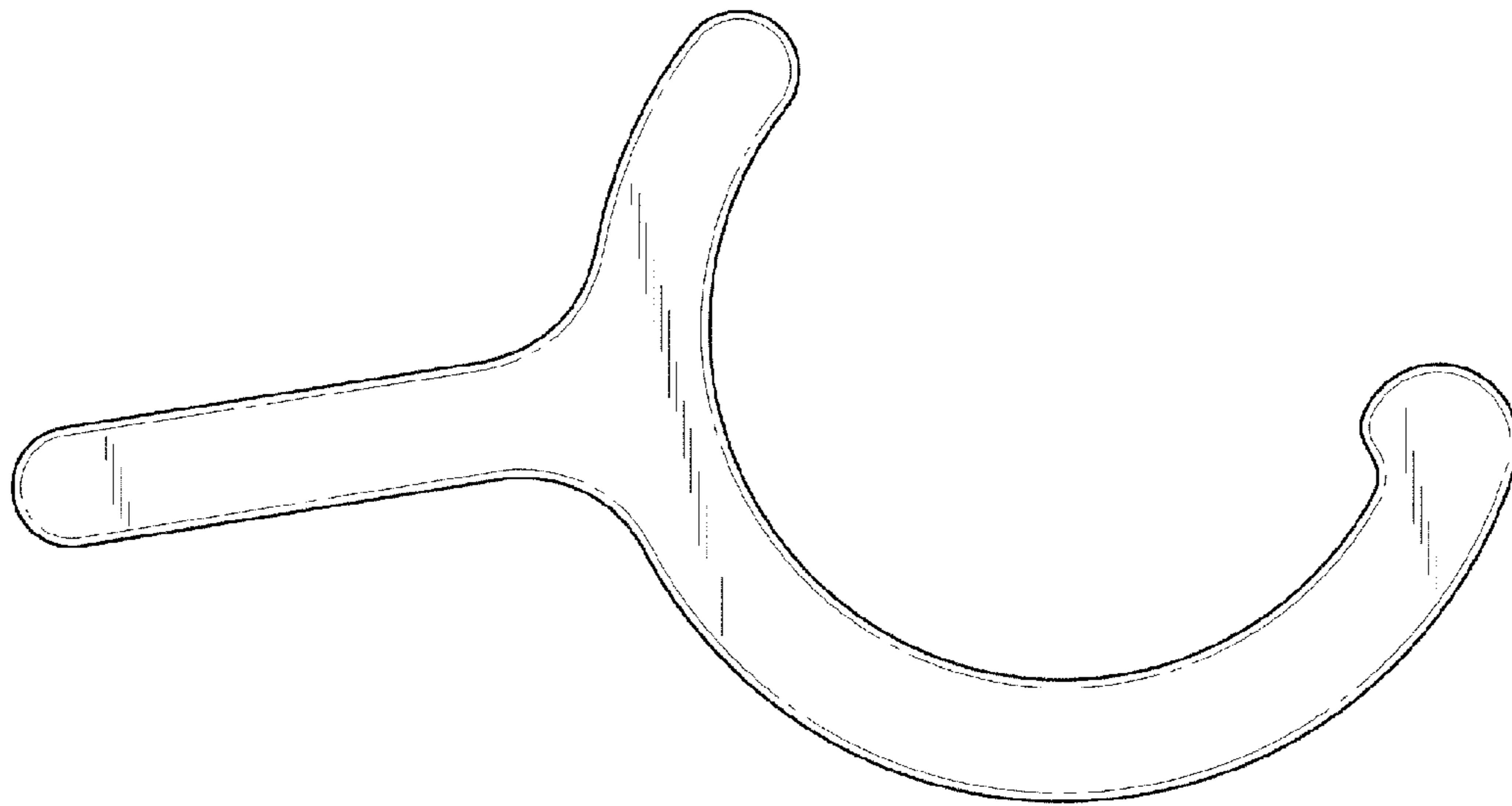


Fig. 3

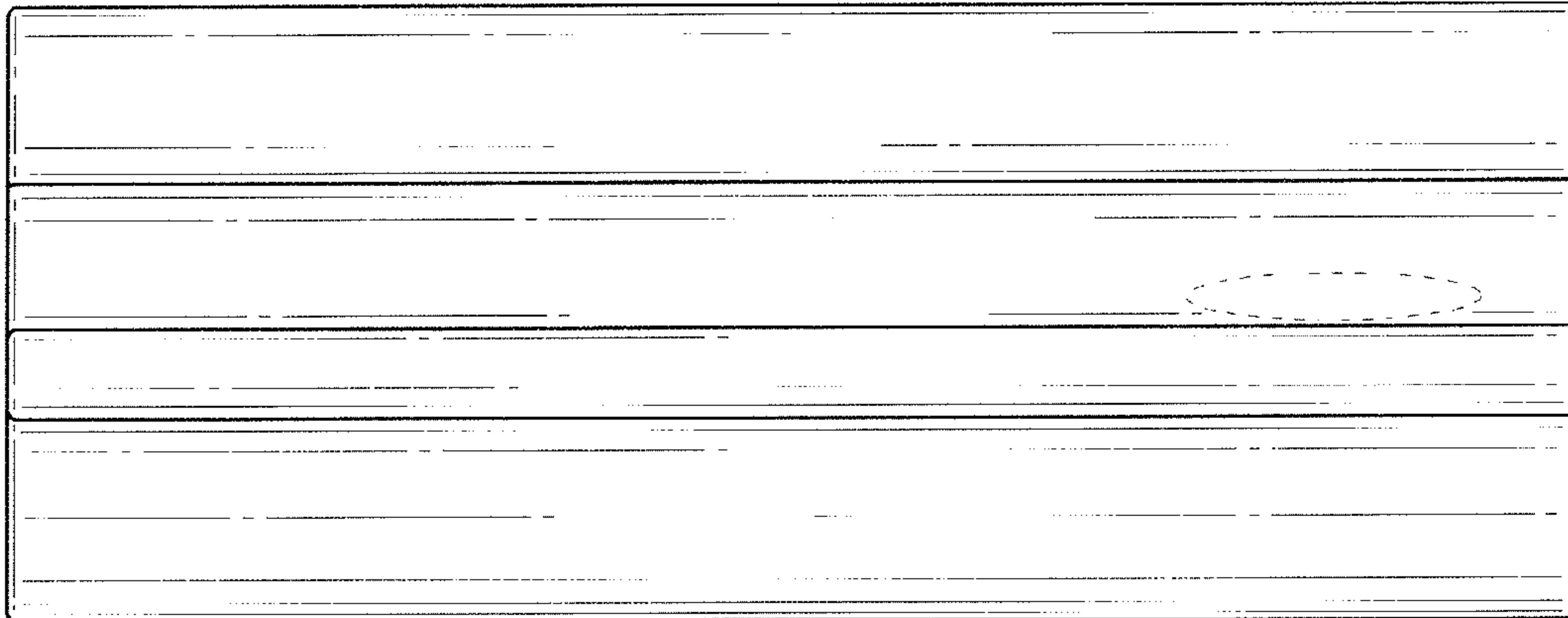


Fig. 4

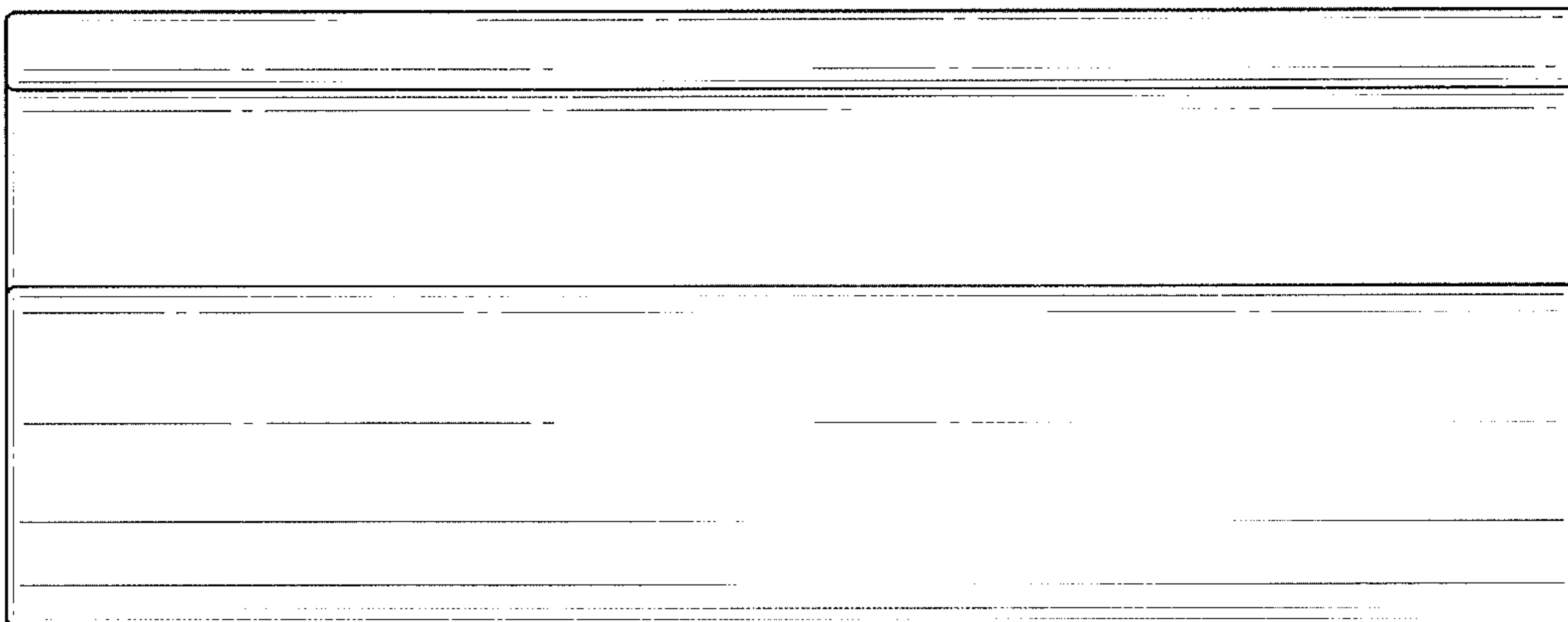


Fig. 5

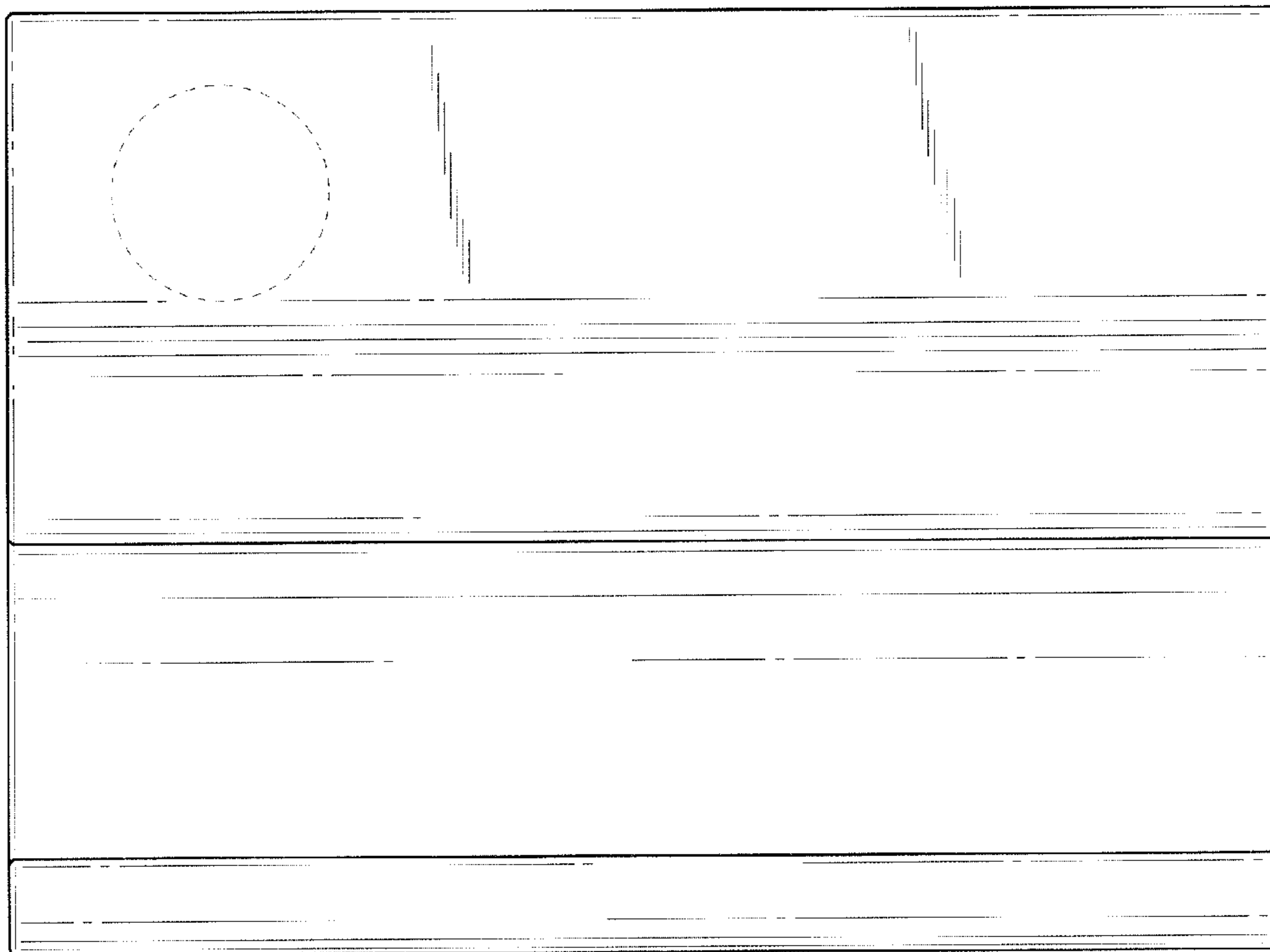


Fig. 6

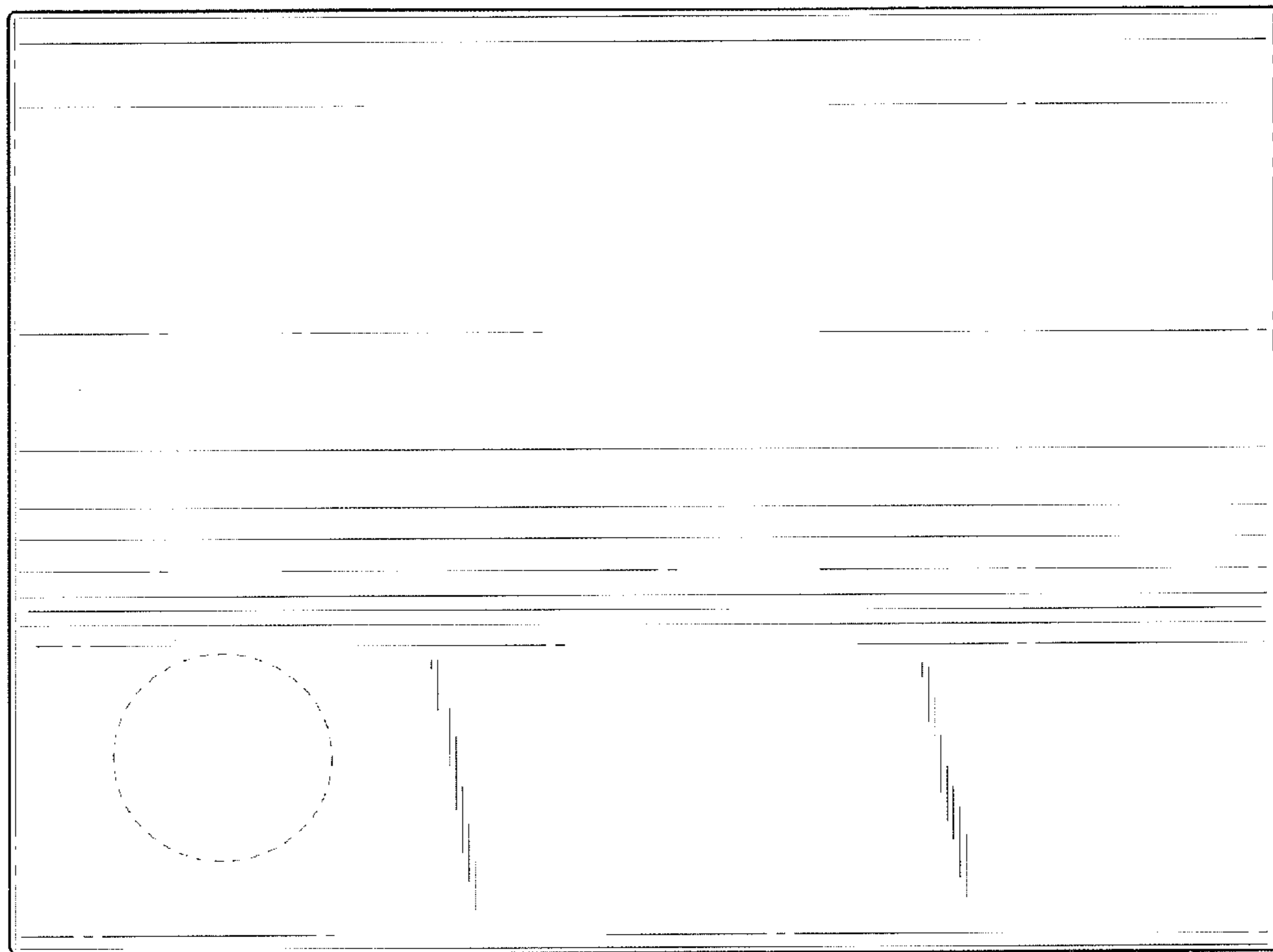


Fig. 7