



US00D658165S

(12) **United States Design Patent**  
**Freeman**

(10) **Patent No.:** **US D658,165 S**

(45) **Date of Patent:** **\*\* Apr. 24, 2012**

(54) **CASE FOR AN ELECTRONIC DEVICE**

(75) Inventor: **Falco Freeman**, Portland, OR (US)

(73) Assignee: **Futuristic Audio Design Innovations, LLC**, Portland, OR (US)

(\*\*) Term: **14 Years**

(21) Appl. No.: **29/369,877**

(22) Filed: **Sep. 14, 2010**

(51) **LOC (9) Cl.** ..... **14-03**

(52) **U.S. Cl.** ..... **D14/250**

(58) **Field of Classification Search** ..... D3/201,  
D3/215, 218, 269, 273, 294; D14/140, 142,  
D14/203.3, 217, 218, 240, 242, 250-253,  
D14/299, 358, 440, 450; D13/103, 107,  
D13/108.119; 220/4.02; 224/119, 191, 240,  
224/241, 245, 682, 683; 248/309.1; 361/679.3,  
361/679.56; 379/454, 455; 455/575.1, 575.6,  
455/575.7, 575.8, 575.9; 190/100; 206/305,  
206/320

See application file for complete search history.

(56) **References Cited**

**U.S. PATENT DOCUMENTS**

7,612,997	B1 *	11/2009	Diebel et al. ....	361/679.56
D644,216	S *	8/2011	Richardson et al. ....	D14/250
D644,217	S *	8/2011	Richardson et al. ....	D14/250
D644,218	S *	8/2011	Akana et al. ....	D14/341
D644,638	S *	9/2011	Melanson et al. ....	D14/250
D644,639	S *	9/2011	Weller et al. ....	D14/250
D646,264	S *	10/2011	Dong .....	D14/250
D646,266	S *	10/2011	Kim et al. ....	D14/250
D647,519	S *	10/2011	Rothbaum et al. ....	D14/250
D648,332	S *	11/2011	Kim et al. ....	D14/248

D648,717	S *	11/2011	Fahrendorff et al. ....	D14/250
D649,536	S *	11/2011	Richardson et al. ....	D14/250
D649,537	S *	11/2011	Magness et al. ....	D14/250

\* cited by examiner

*Primary Examiner* — Raphael Barkai  
*Assistant Examiner* — Randall Gholson

(74) *Attorney, Agent, or Firm* — Marger Johnson & McCollom, P.C.

(57) **CLAIM**

The ornamental design for a case for an electronic device, as shown and described.

**DESCRIPTION**

A portion of the disclosure of this patent document contains material that is subject to copyright protection. The copyright owner has no objection to the facsimile reproduction by anyone of the patent disclosure, as it appears in the Patent and Trademark Office patent files or records, but otherwise reserves all copyright rights whatsoever.

FIG. 1 is a front perspective view of a case for an electronic device in a first state;

FIG. 2 is a back perspective view thereof;

FIG. 3 is a front plan view thereof;

FIG. 4 is a back plan view thereof;

FIG. 5 is a right side elevation view thereof;

FIG. 6 is a left side elevation view thereof;

FIG. 7 is a bottom side elevation view thereof;

FIG. 8 is a top side elevation view thereof;

FIG. 9 is a front perspective view of the case for an electronic device in a second state;

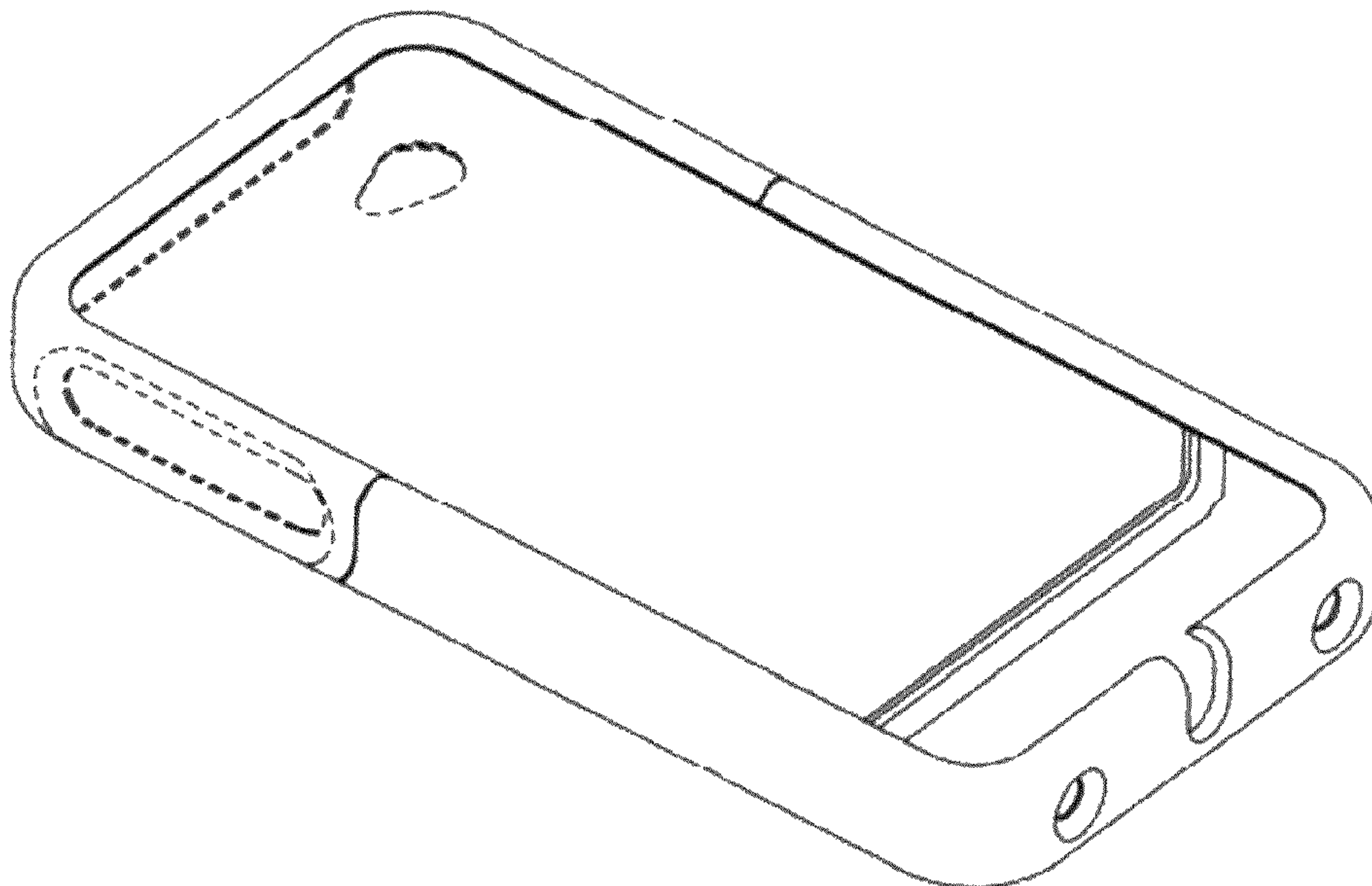
FIG. 10 is a back perspective view thereof;

FIG. 11 is a front perspective view of the case for an electronic device in a third state; and,

FIG. 12 is a back perspective view thereof.

The broken lines are for illustrative purposes only and form no part of the claimed design.

**1 Claim, 5 Drawing Sheets**



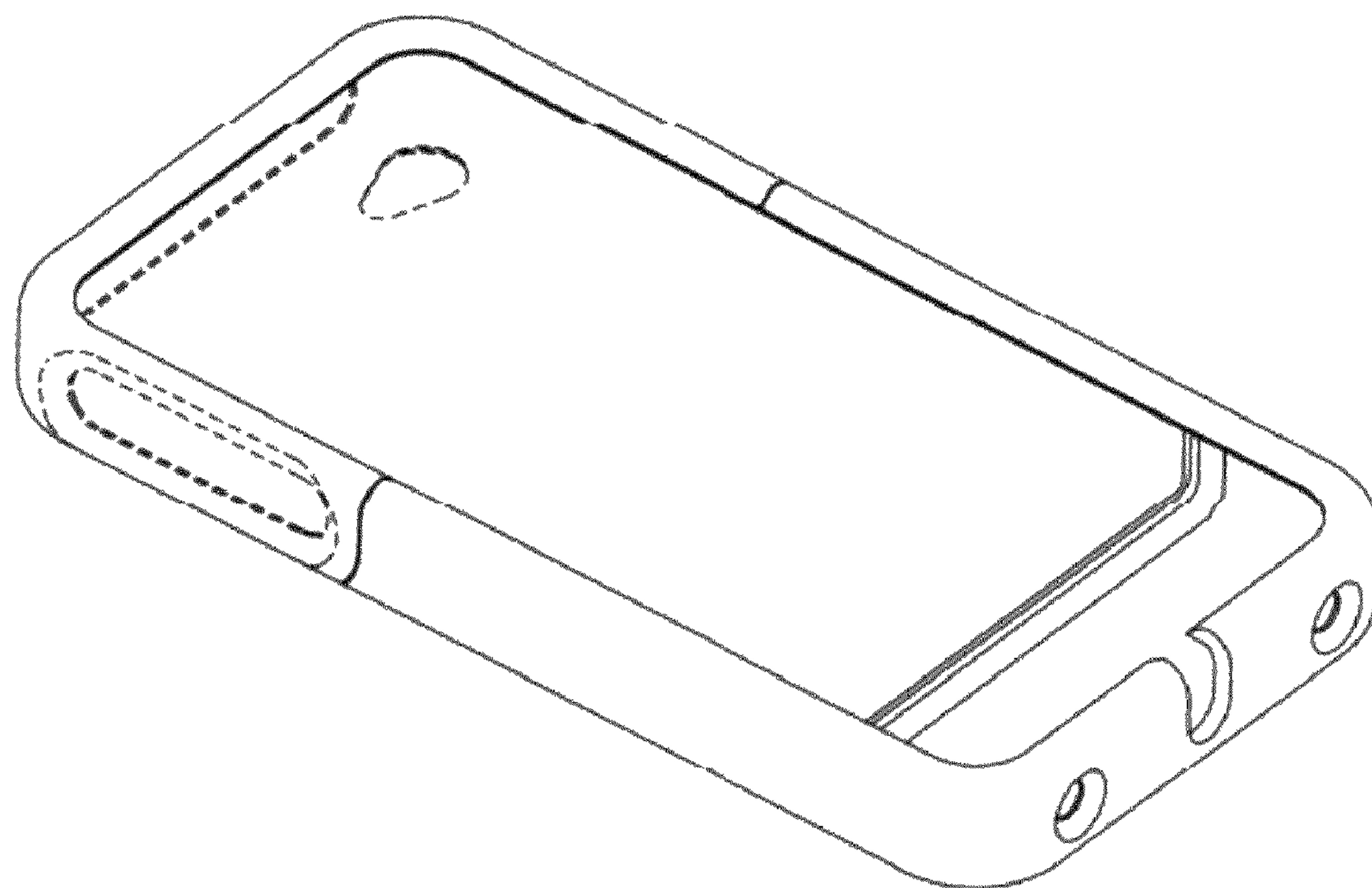


FIG. 1

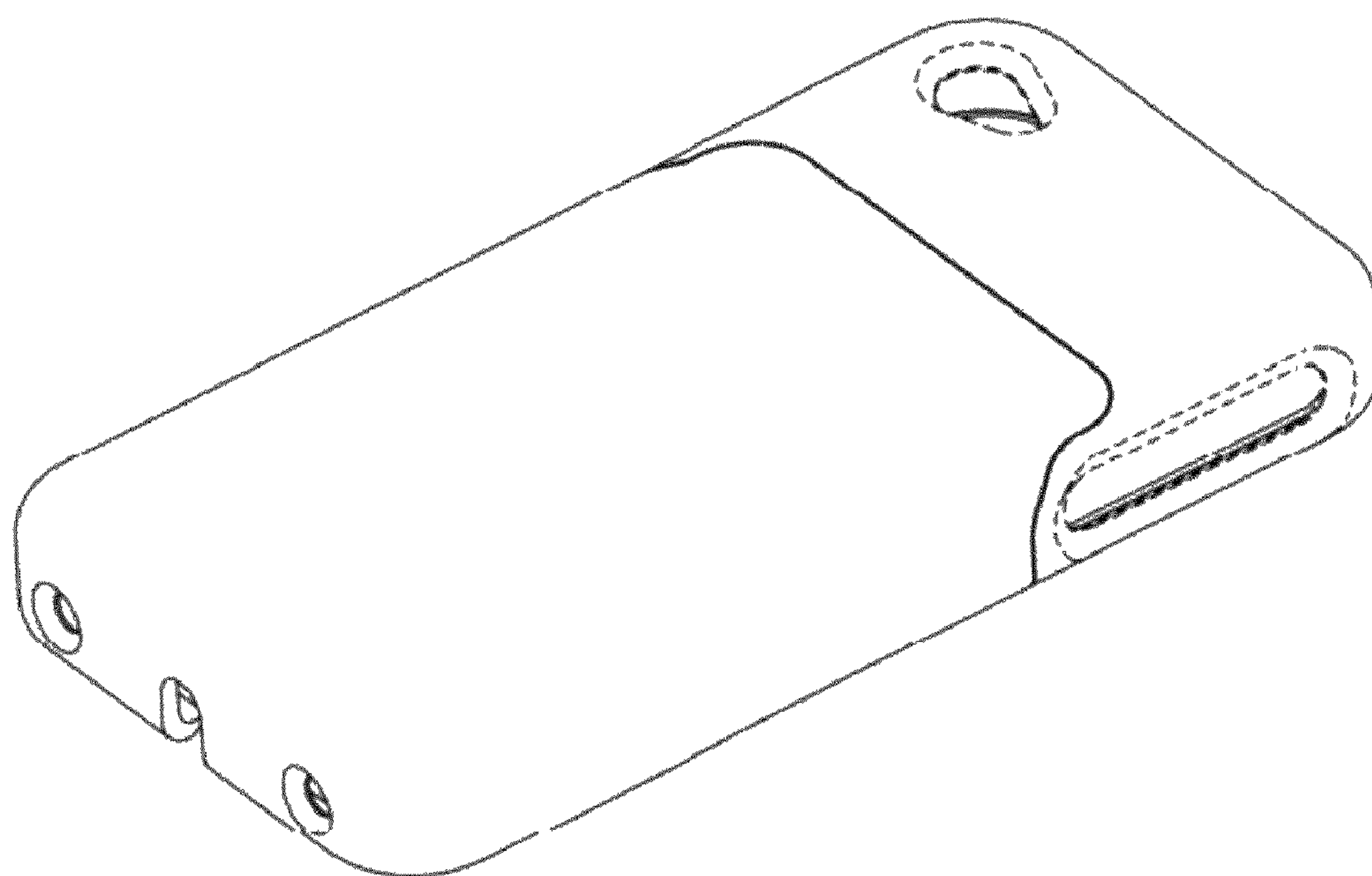


FIG. 2

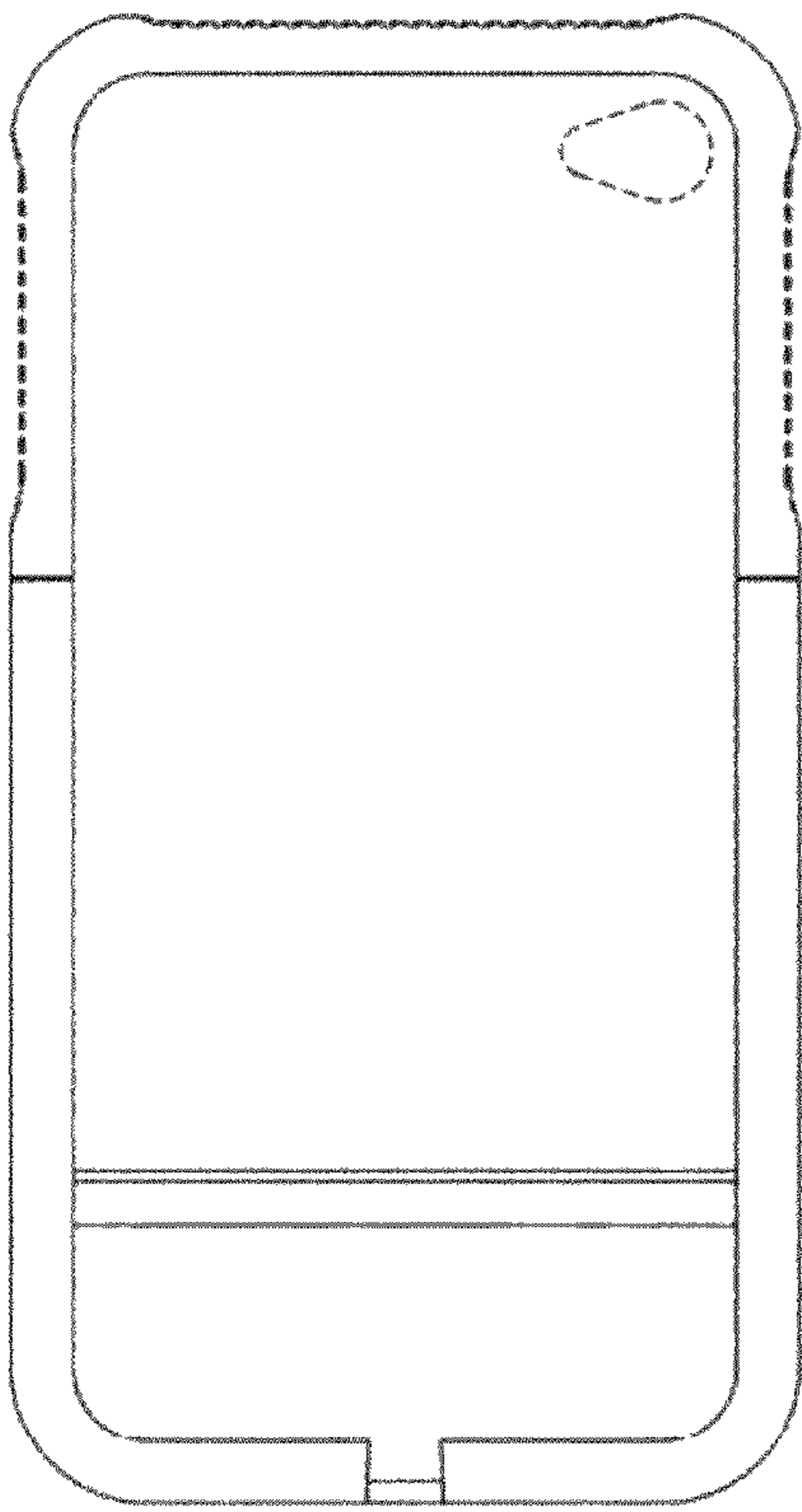


FIG. 3

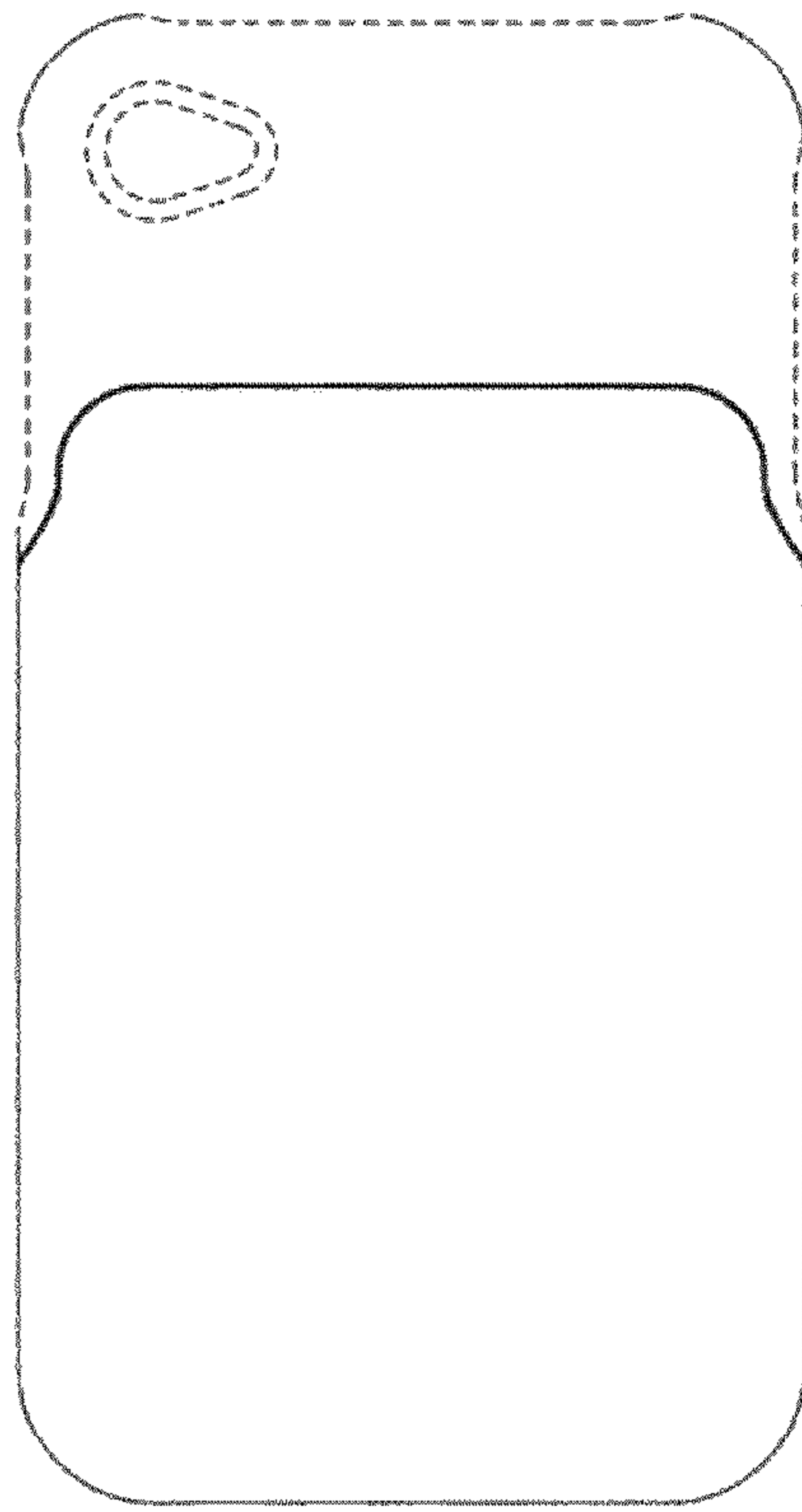


FIG. 4

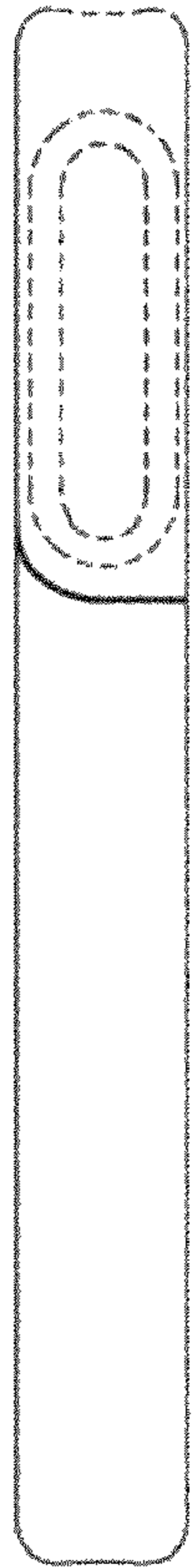


FIG. 5

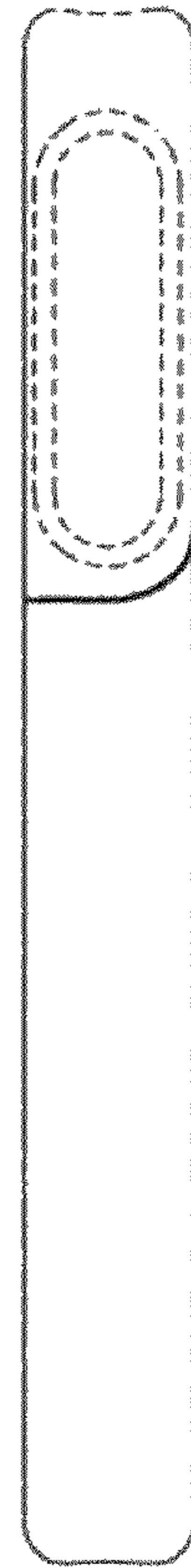


FIG. 6

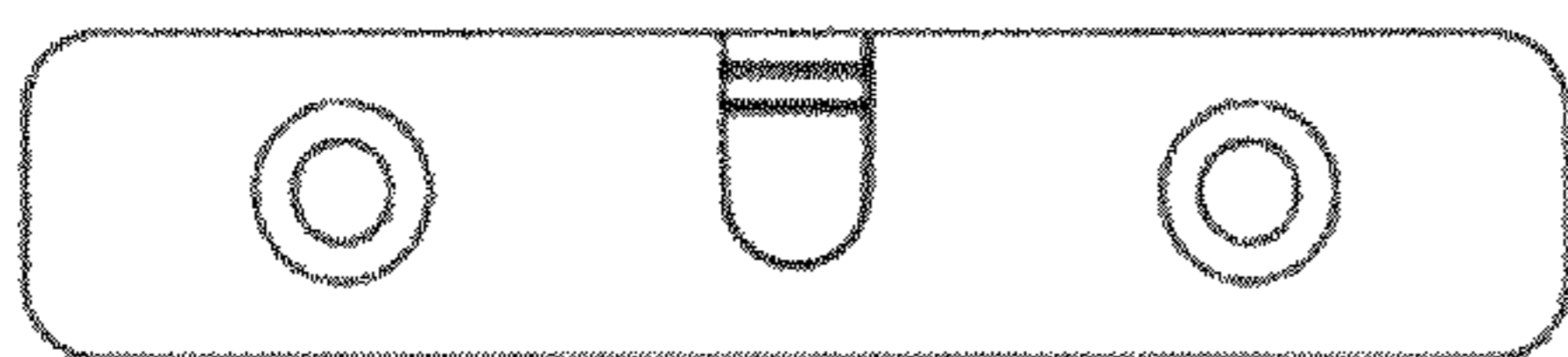


FIG. 7

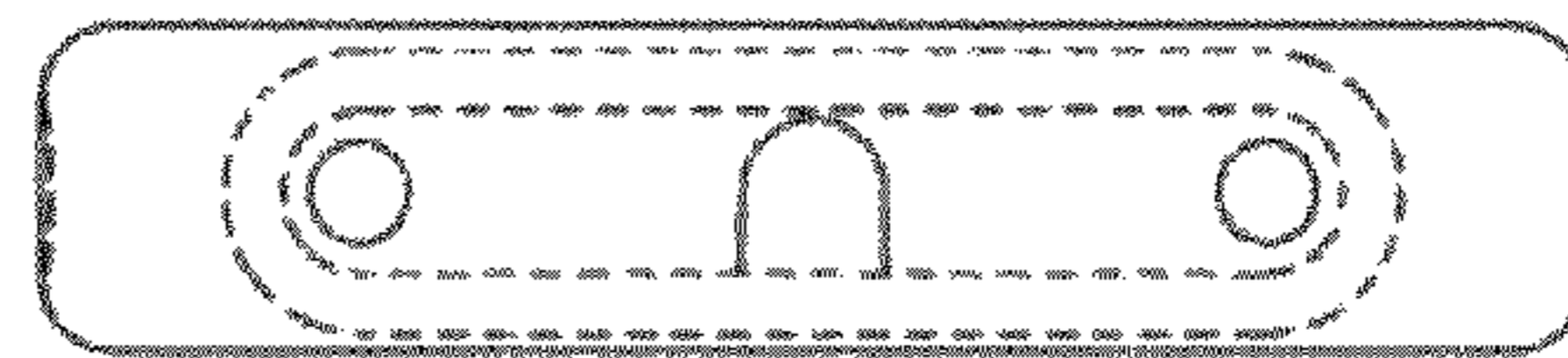


FIG. 8

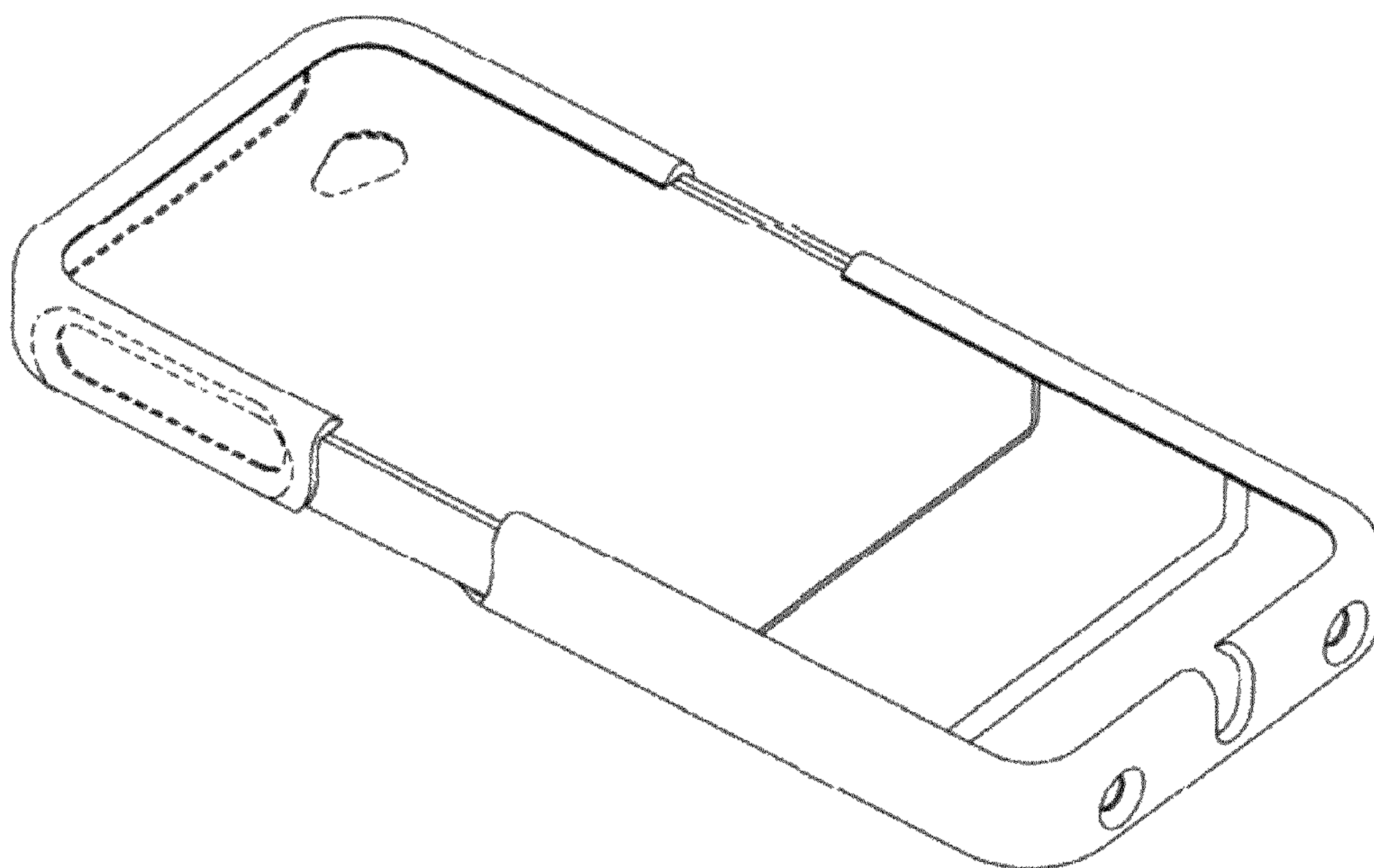


FIG. 9

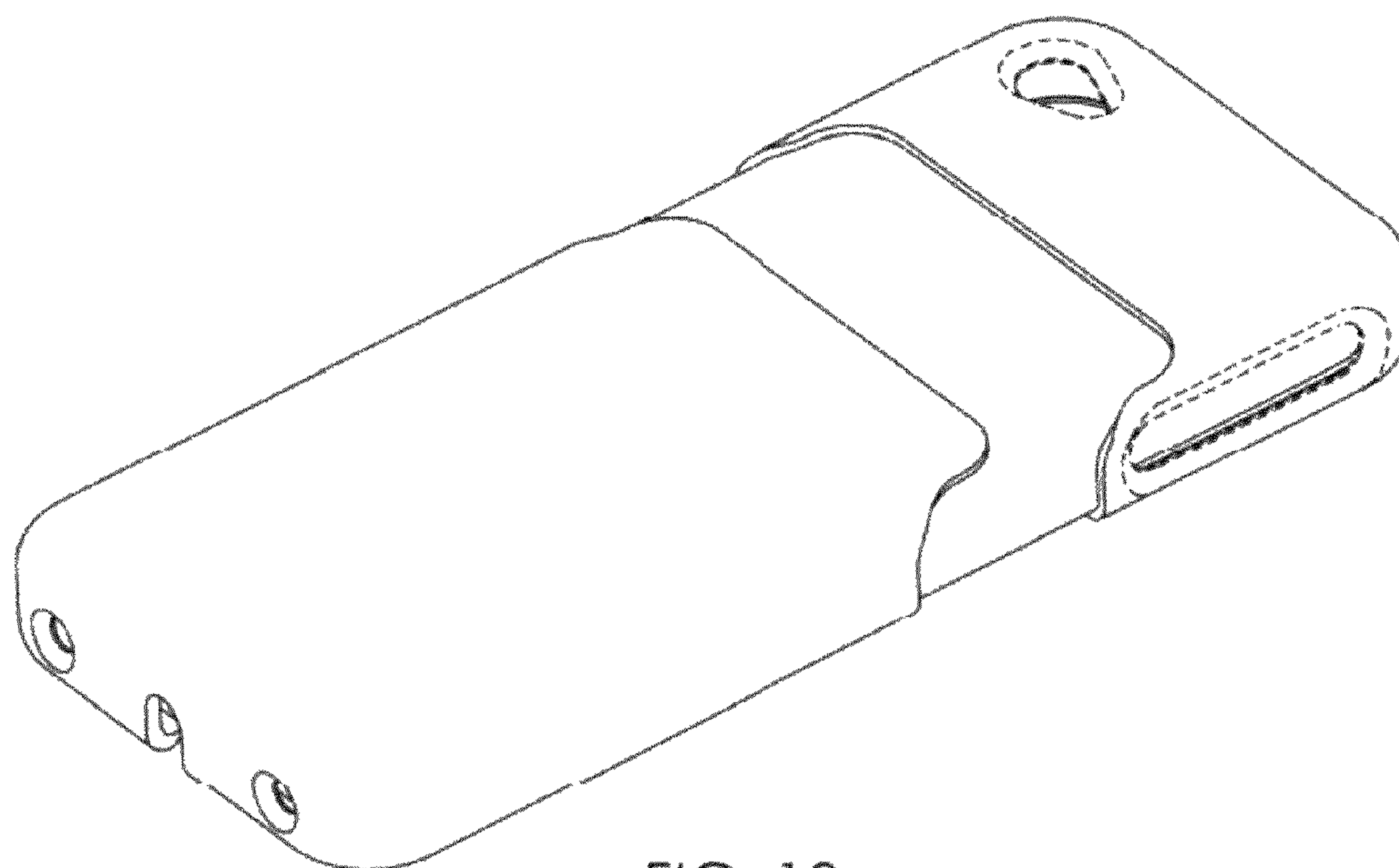


FIG. 10

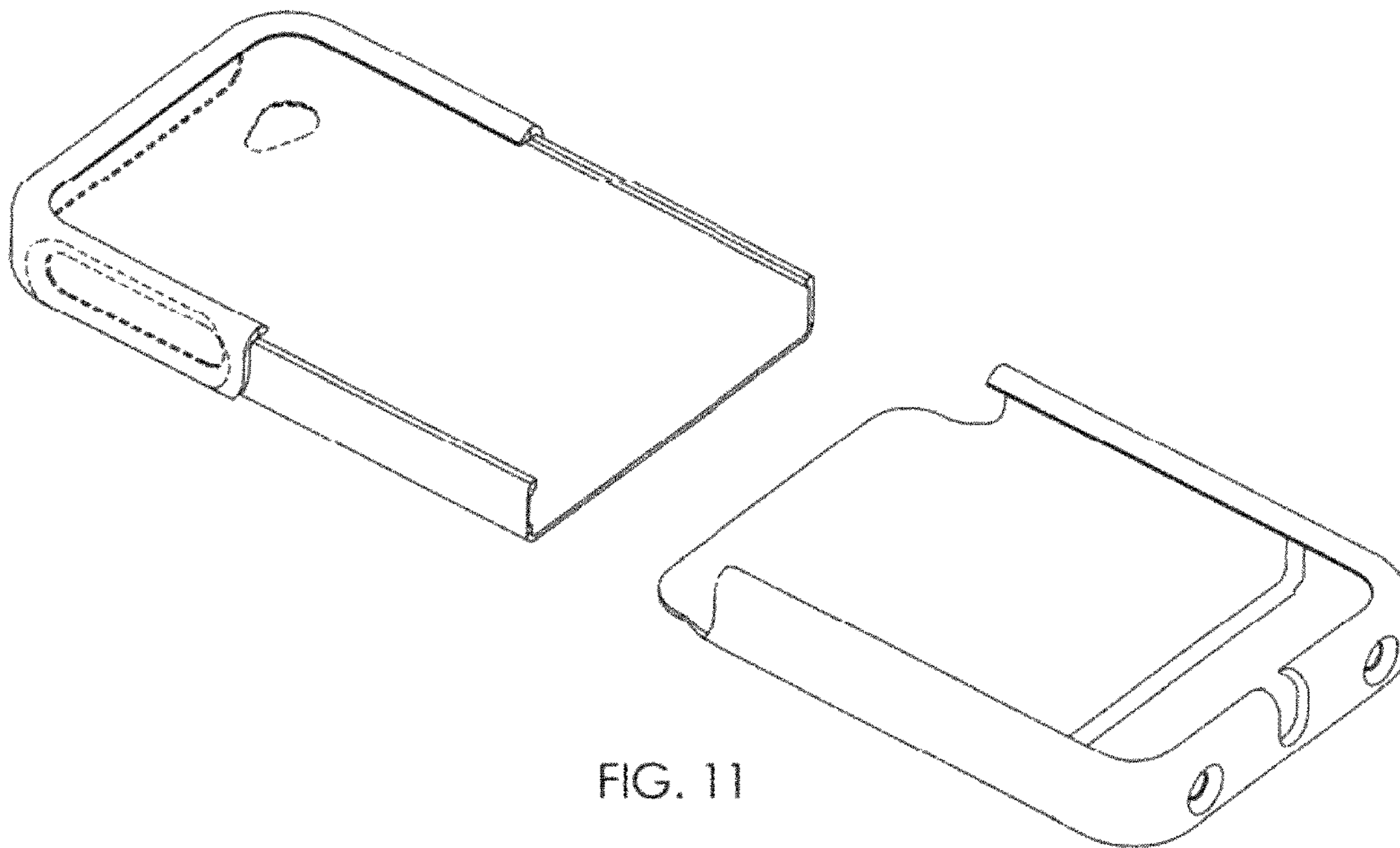


FIG. 11

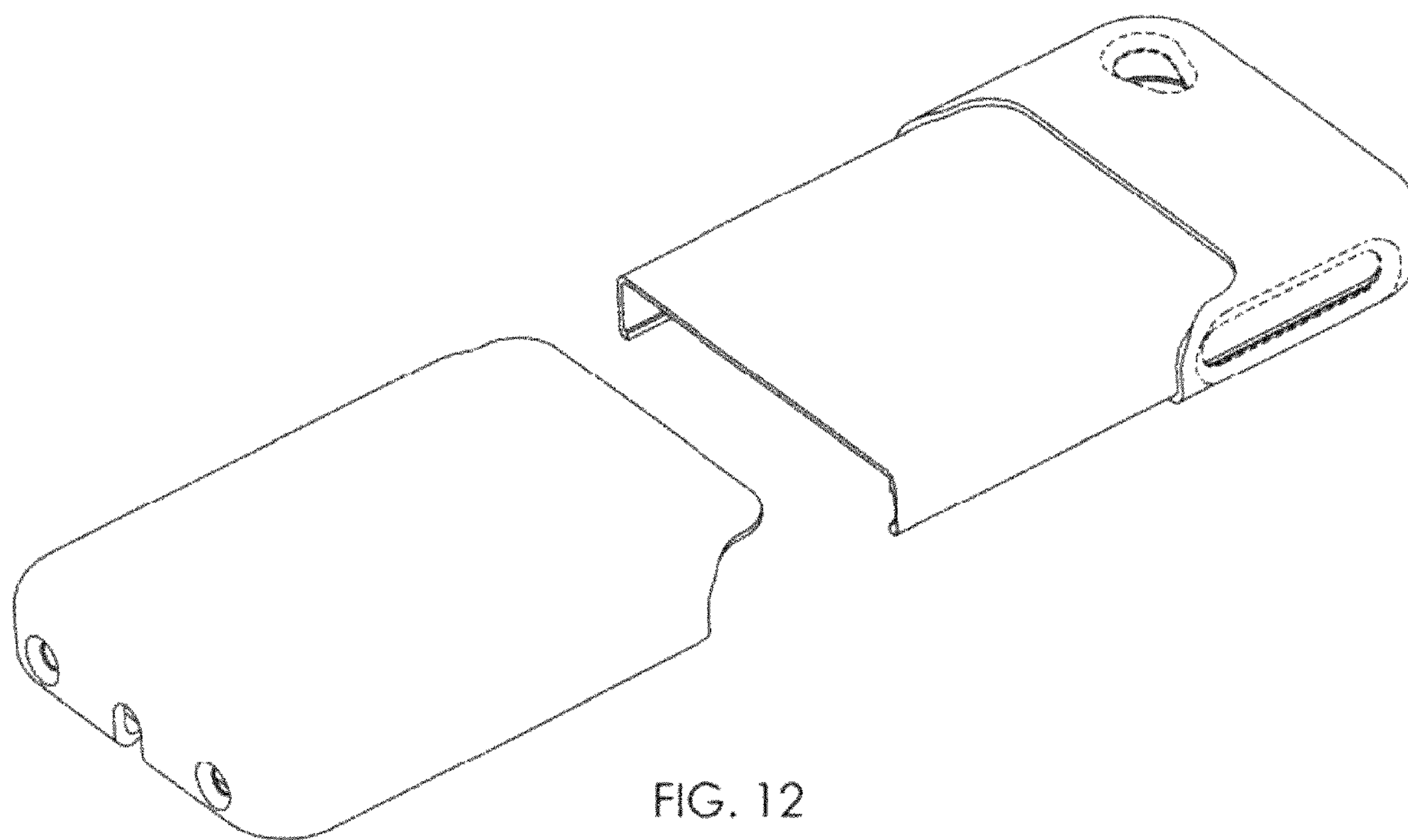


FIG. 12