



US00D658164S

(12) **United States Design Patent**  
**Chan**

(10) **Patent No.:** **US D658,164 S**

(45) **Date of Patent:** **\*\* Apr. 24, 2012**

(54) **SCREEN PROTECTOR**

(75) Inventor: **Sik Yuen Chan**, Hong Kong (CN)

(73) Assignee: **JS. Element Limited**, Kowloon (HK)

(\*\*) Term: **14 Years**

(21) Appl. No.: **29/394,483**

(22) Filed: **Jun. 17, 2011**

(51) **LOC (9) Cl.** ..... **14-03**

(52) **U.S. Cl.** ..... **D14/238.1; D14/250**

(58) **Field of Classification Search** ..... D14/188,  
D14/496, 125-127, 224, 224.1, 238.1, 239,  
D14/447-450, 250, 251; D21/324, 333;  
359/443, 450, 452, 453, 456, 460, 507, 893;  
348/818, 823, 824, 825, 834; 345/156, 30-34,  
345/903, 905

See application file for complete search history.

(56) **References Cited**

**U.S. PATENT DOCUMENTS**

5,508,757	A *	4/1996	Chen	.....	348/818
6,469,752	B1 *	10/2002	Ishikawa et al.	.....	348/834
D491,151	S *	6/2004	Nagao	.....	D14/126
6,750,922	B1 *	6/2004	Benning	.....	348/818
D504,899	S *	5/2005	Ellis et al.	.....	D14/450
D514,114	S *	1/2006	Cochard	.....	D14/450

7,034,877	B2 *	4/2006	Schmidt	.....	348/333.01
D532,413	S *	11/2006	Goldstein	.....	D14/239
7,226,176	B1 *	6/2007	Huang	.....	359/609
7,362,386	B2 *	4/2008	Huber	.....	348/789
D612,818	S *	3/2010	Lents, Jr.	.....	D14/125
8,044,942	B1 *	10/2011	Leonhard et al.	.....	345/173
8,068,331	B2 *	11/2011	Sauers et al.	.....	361/679.01

\* cited by examiner

*Primary Examiner* — Prabhakar Deshmukh

(74) *Attorney, Agent, or Firm* — Rabin & Berdo, P.C.

(57) **CLAIM**

The ornamental design for a screen protector, as shown and described.

**DESCRIPTION**

FIG. 1 is a front perspective view of a screen protector showing my new design;

FIG. 2 is a rear perspective view thereof;

FIG. 3 is a front elevational view thereof;

FIG. 4 is rear elevational view thereof;

FIG. 5 is a right side elevational view thereof;

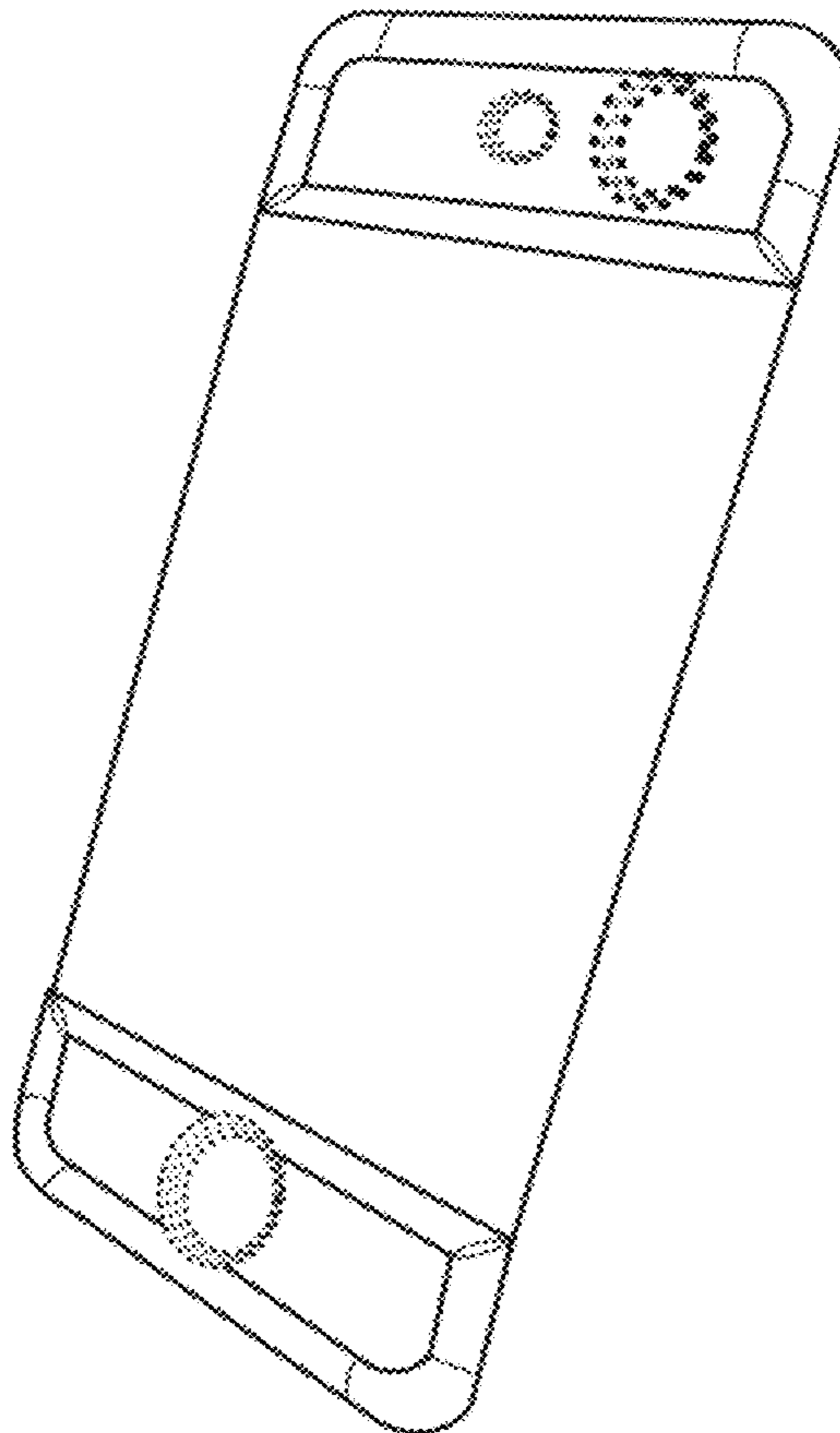
FIG. 6 is a left side elevational view thereof;

FIG. 7 is a top plan view thereof; and,

FIG. 8 is bottom plan view thereof.

The broken lines environment is for illustrative purpose only and forms no part of the claimed design.

**1 Claim, 5 Drawing Sheets**



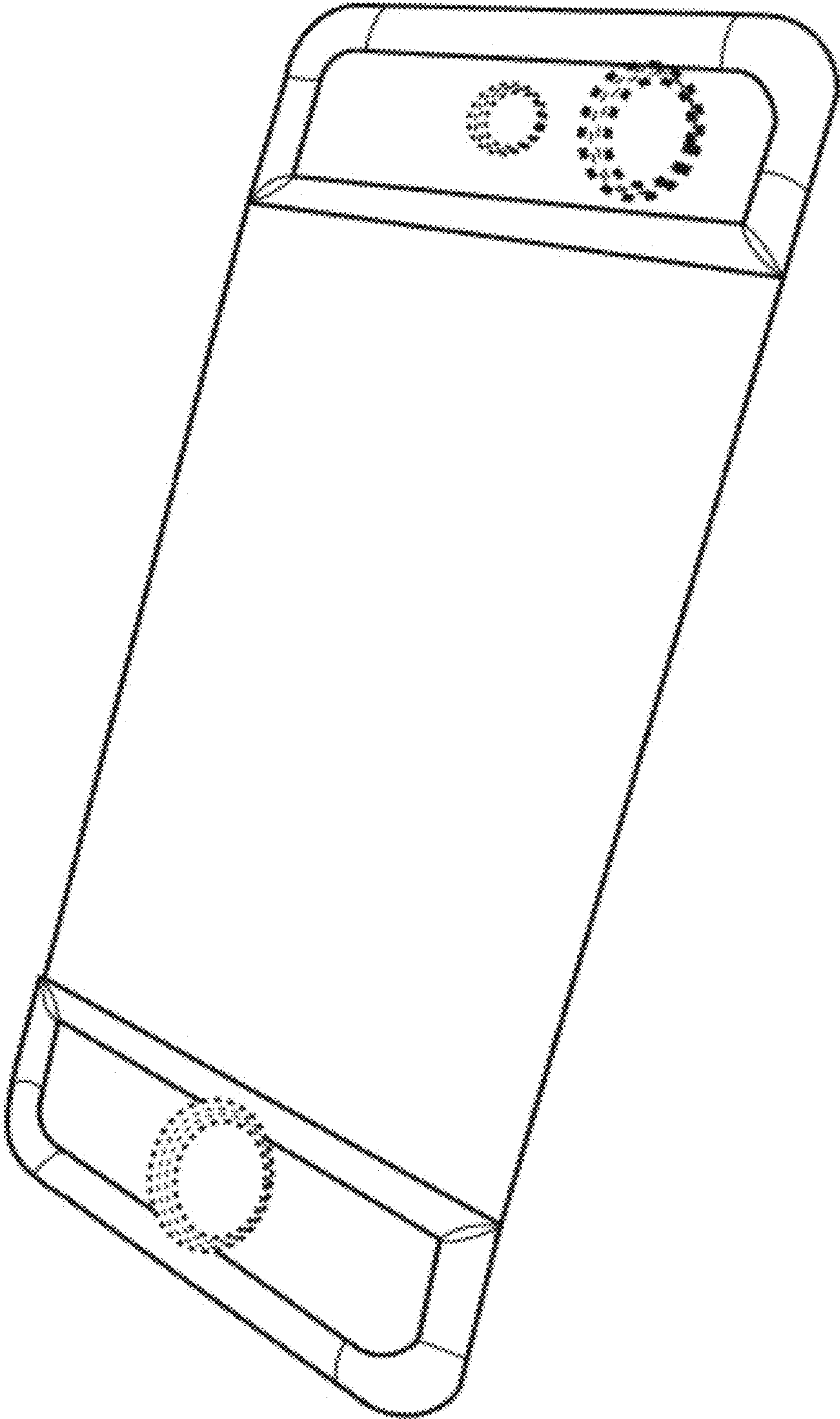


Fig. 1

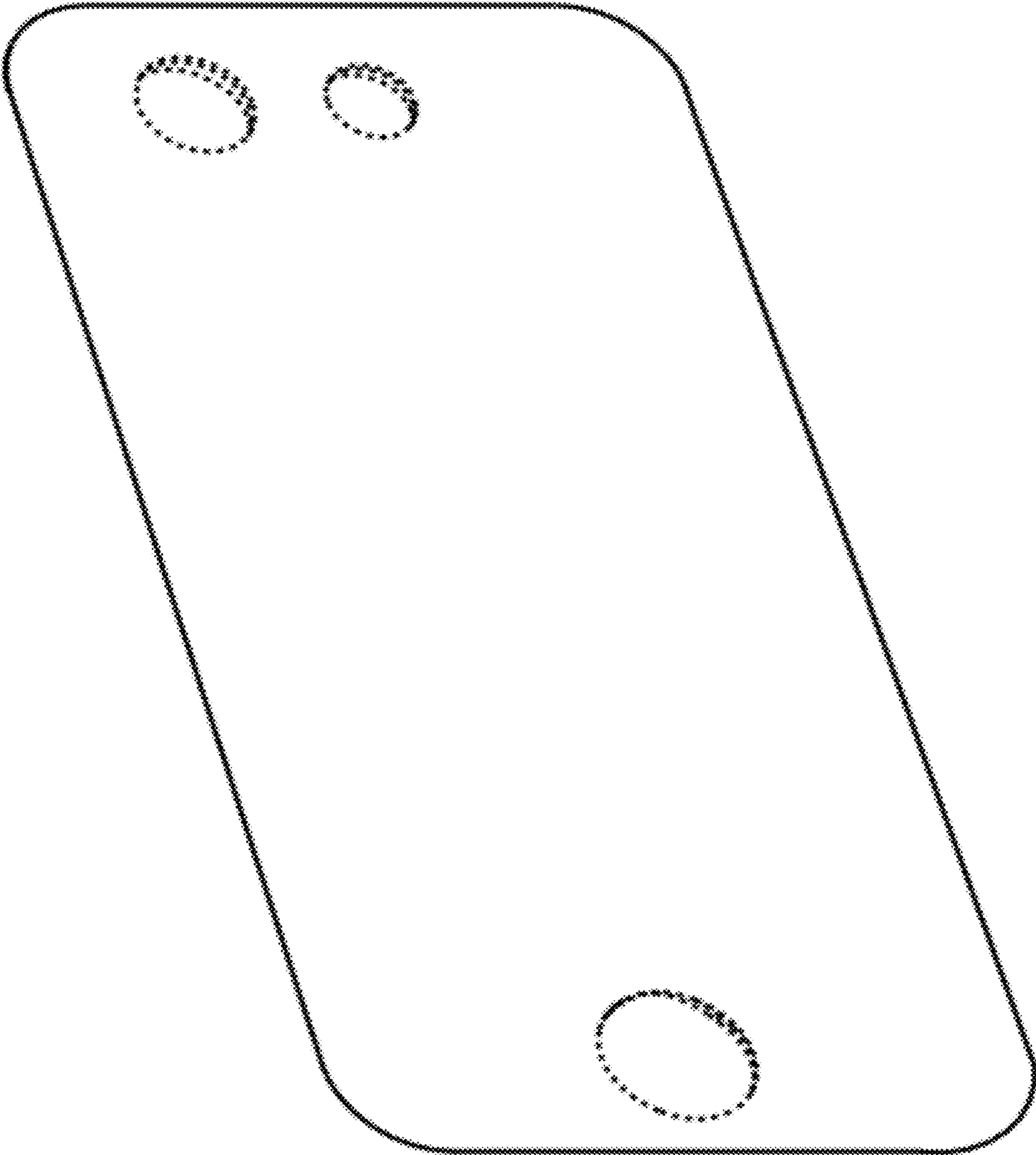


Fig. 2

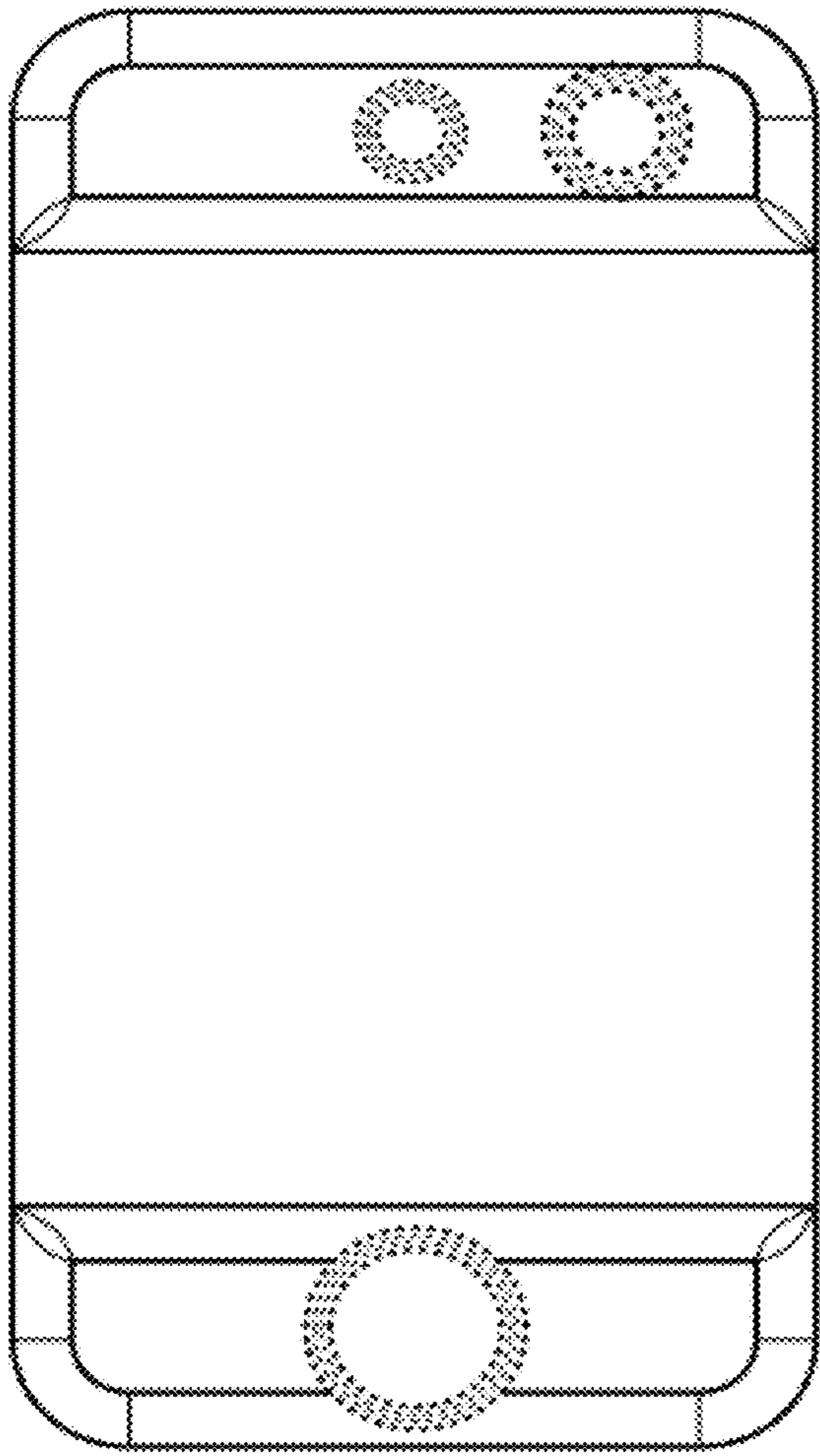


Fig. 3

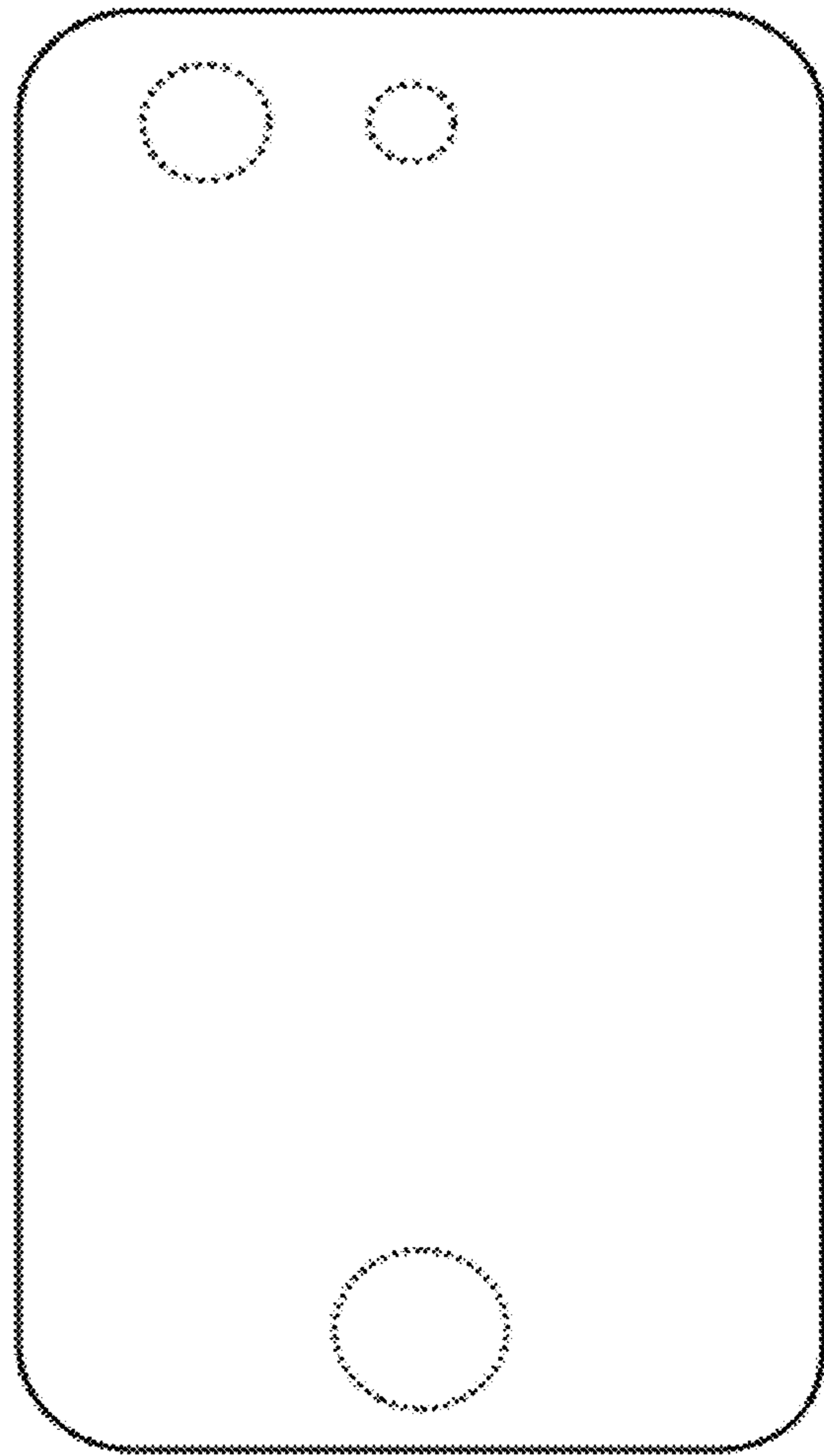


Fig. 4



Fig. 5



Fig. 6



Fig. 7



Fig. 8