



US00D658163S

(12) **United States Design Patent**
Iikura

(10) **Patent No.:** **US D658,163 S**

(45) **Date of Patent:** **** Apr. 24, 2012**

(54) **MICROPHONE**

(75) Inventor: **Yukio Iikura**, Tama (JP)

(73) Assignee: **Teac Corporation**, Tokyo (JP)

(**) Term: **14 Years**

(21) Appl. No.: **29/395,235**

(22) Filed: **Dec. 22, 2011**

(30) **Foreign Application Priority Data**

Nov. 1, 2011 (JP) 2011-025261

(51) **LOC (9) Cl.** **14-01**

(52) **U.S. Cl.** **D14/225**

(58) **Field of Classification Search** D21/513;
D17/99; D16/208; D14/497, 249, 243, 227,
D14/226, 225, 167, 155, 234; 446/416; 381/369,
381/355, 92, 174; 455/575.2
See application file for complete search history.

(56) **References Cited**

U.S. PATENT DOCUMENTS

D418,513 S * 1/2000 Suzuki et al. D14/228
D489,057 S * 4/2004 Obata et al. D14/225
D507,261 S * 7/2005 Griffin D14/226

D534,149 S * 12/2006 Griffin D14/155
D545,300 S * 6/2007 Hong et al. D14/214
D554,628 S * 11/2007 Aoki D14/226
D568,878 S * 5/2008 Aoki D14/226
D570,390 S * 6/2008 Goto D16/208
D573,169 S * 7/2008 Goto D16/208
D588,114 S * 3/2009 Ollila D14/225
D623,166 S * 9/2010 Oka D14/167

* cited by examiner

Primary Examiner — Austin Murphy

(74) *Attorney, Agent, or Firm* — Manabu Kanesaka

(57) **CLAIM**

The ornamental design for a microphone, as shown and described.

DESCRIPTION

FIG. 1 is a perspective view of a microphone showing my new design;

FIG. 2 is a front view thereof;

FIG. 3 is a rear view thereof;

FIG. 4 is a plan view thereof;

FIG. 5 is a bottom view thereof;

FIG. 6 is a left side view thereof;

FIG. 7 is a right side view thereof; and,

FIG. 8 is another perspective view thereof.

1 Claim, 6 Drawing Sheets

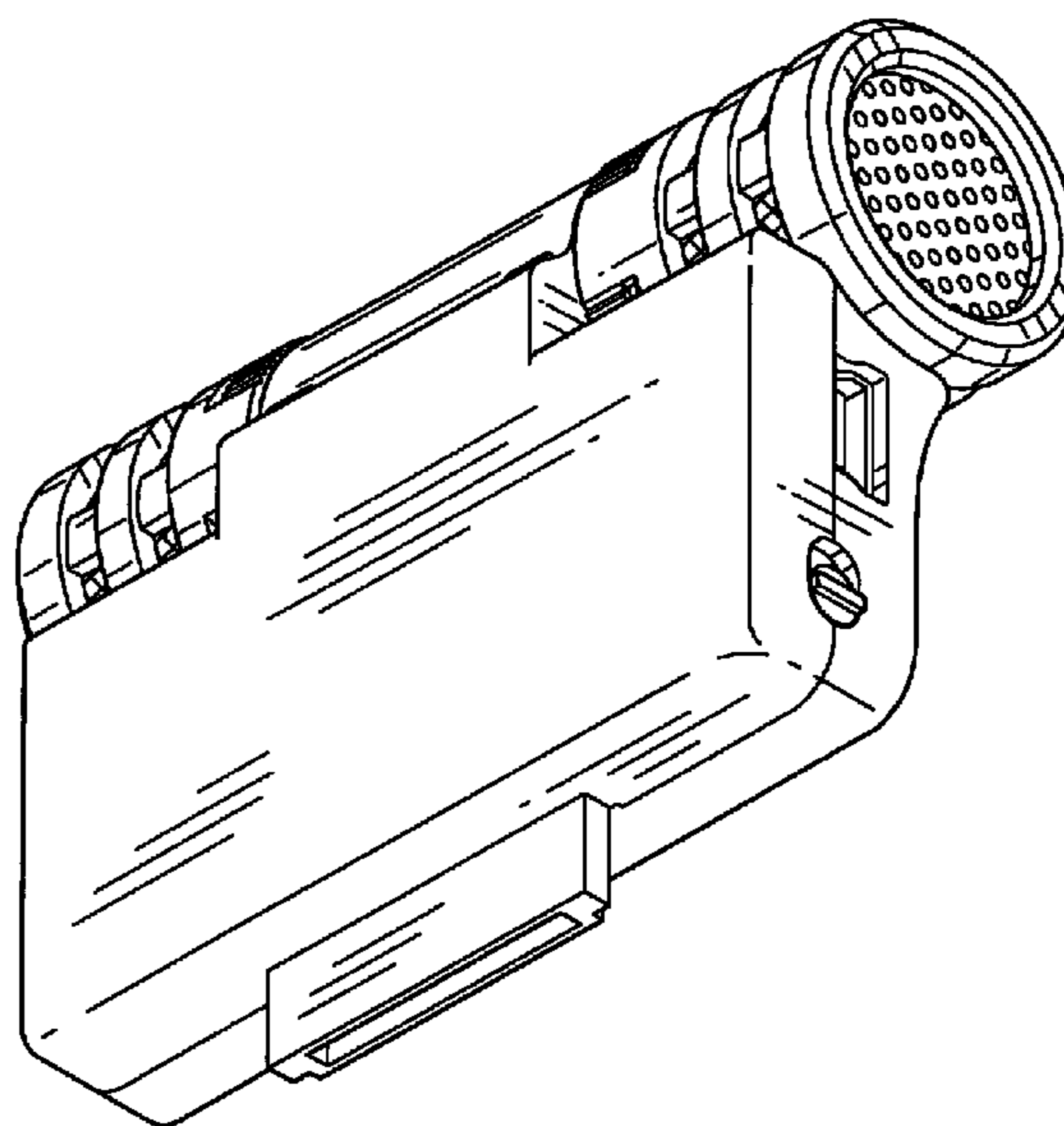
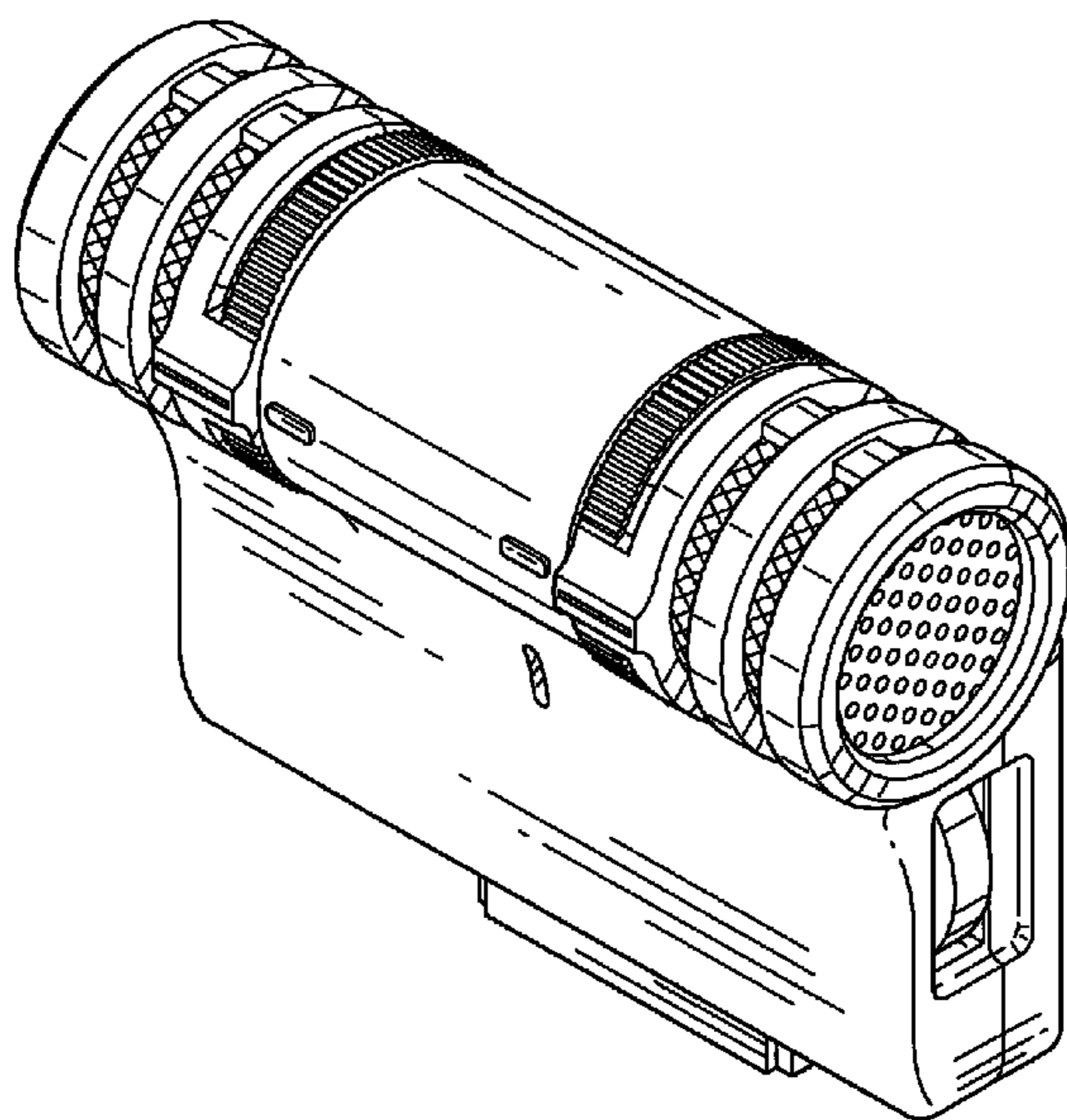


Fig.1

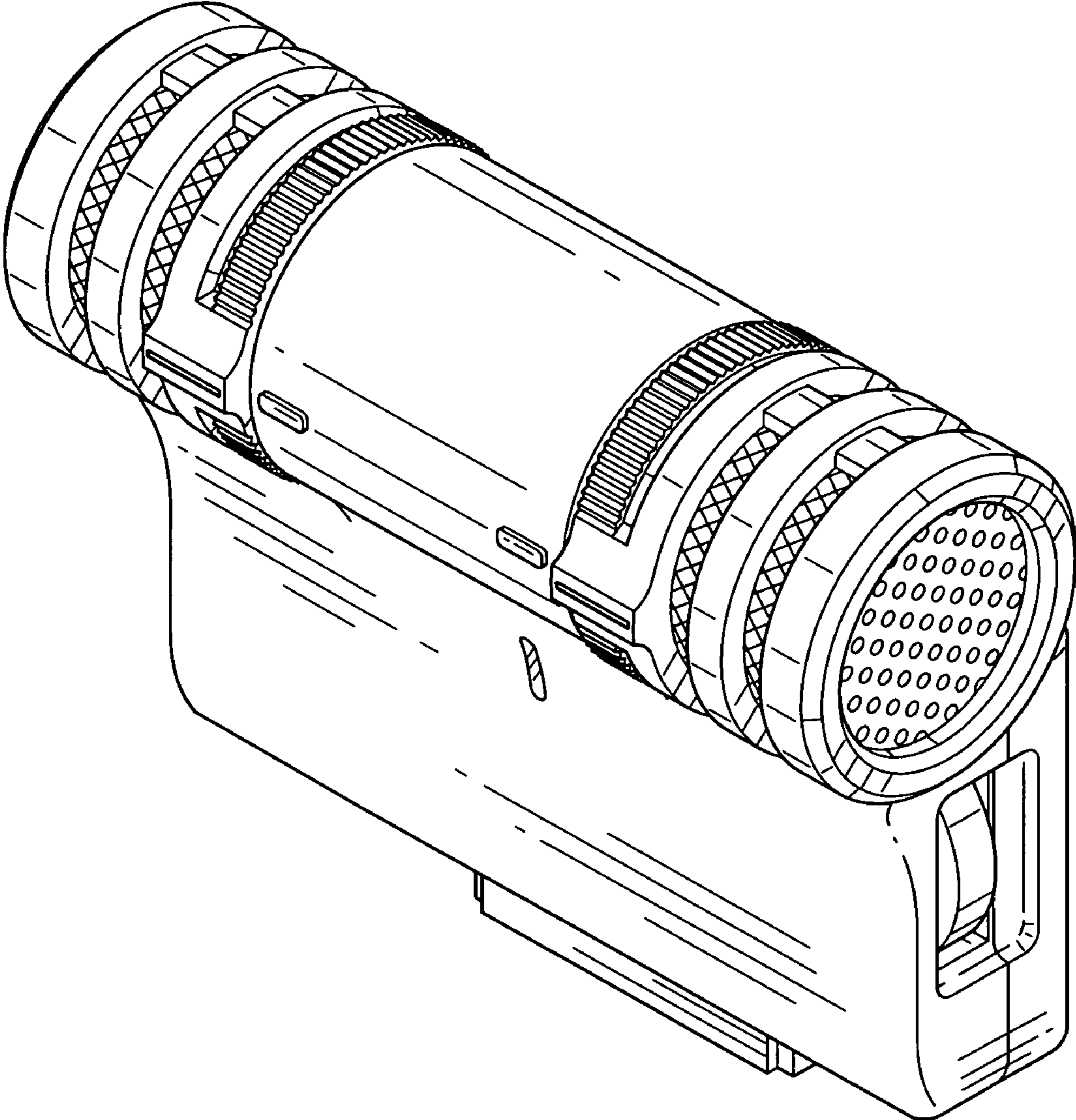


Fig.2

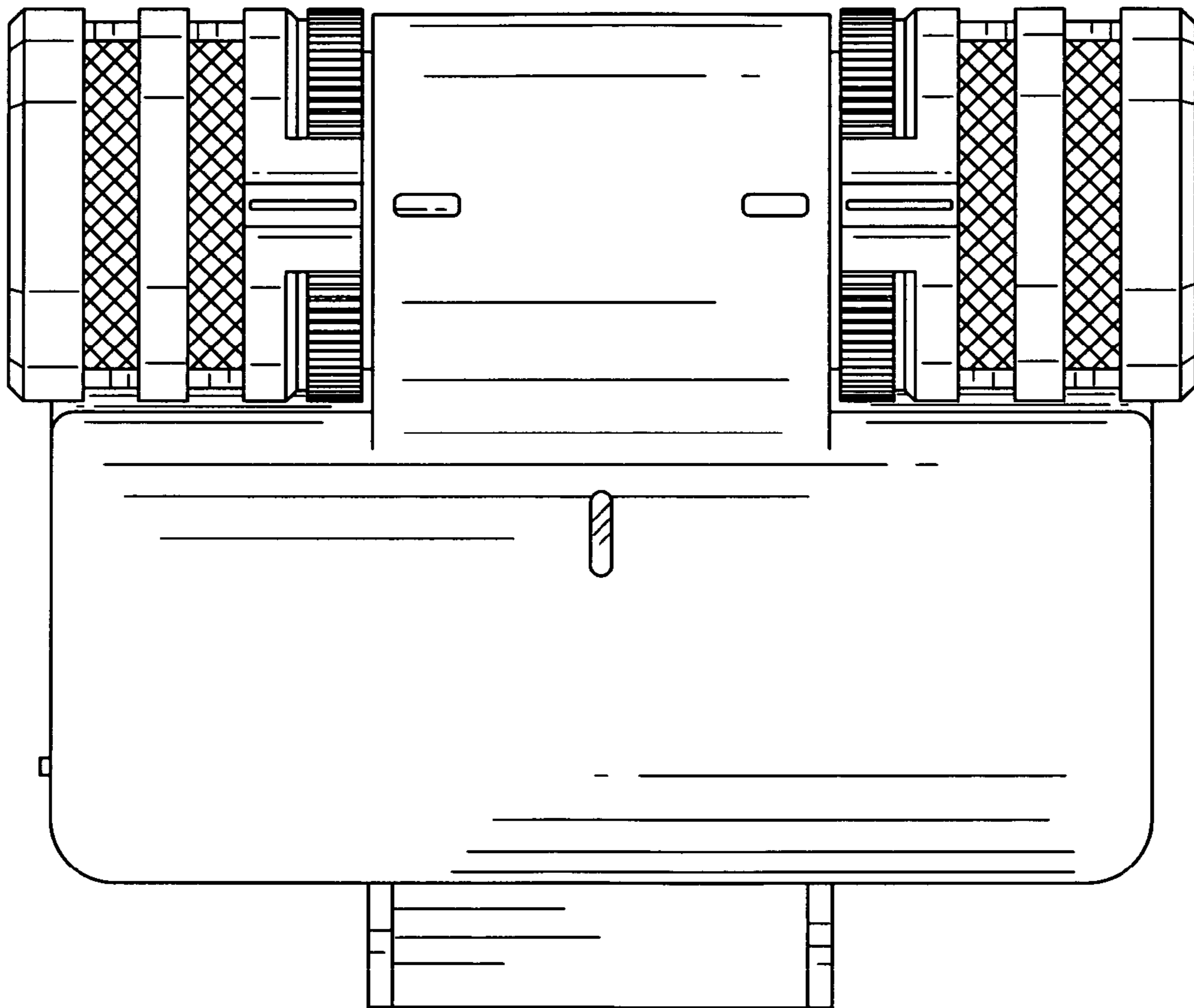


Fig.3

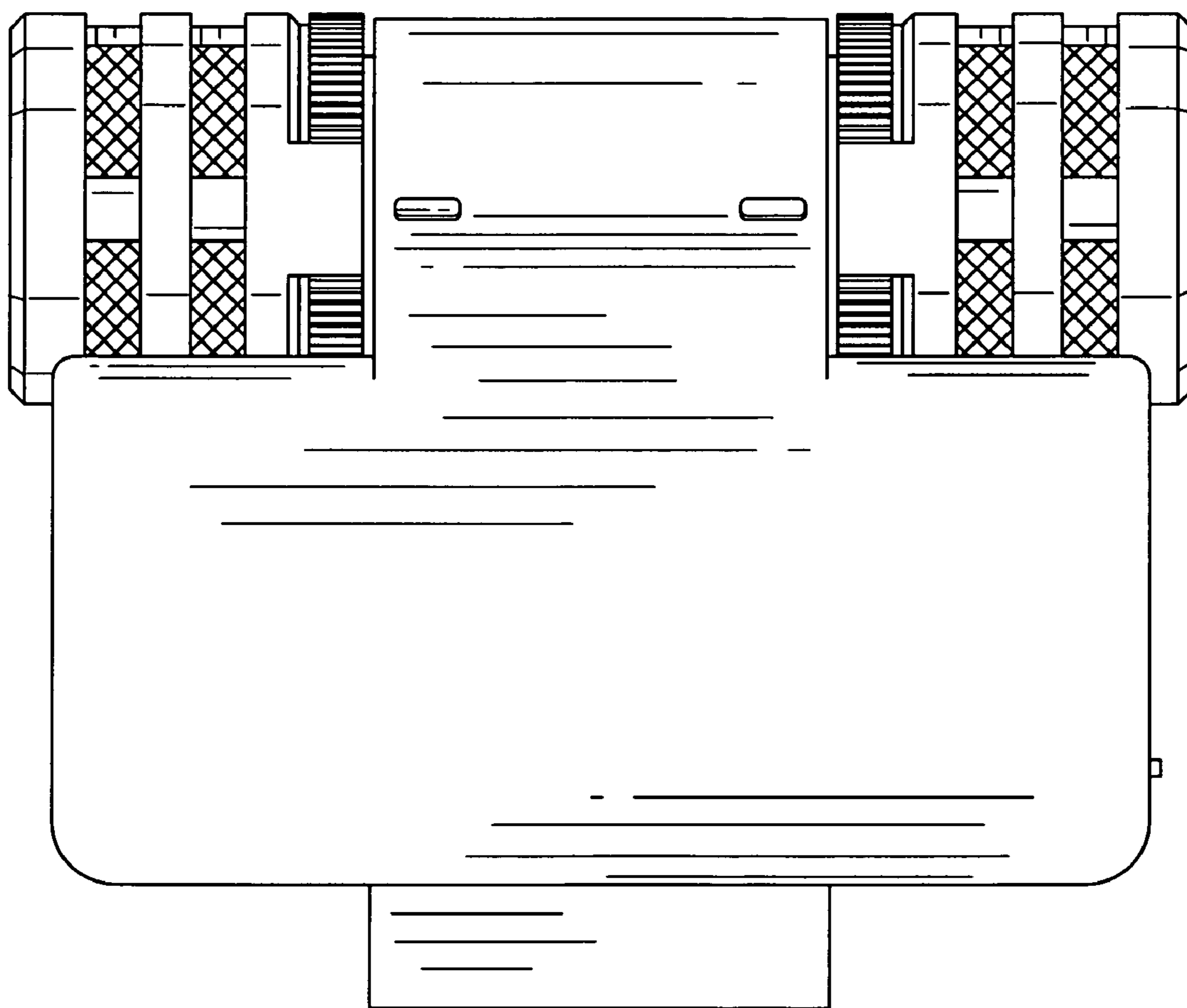


Fig.4

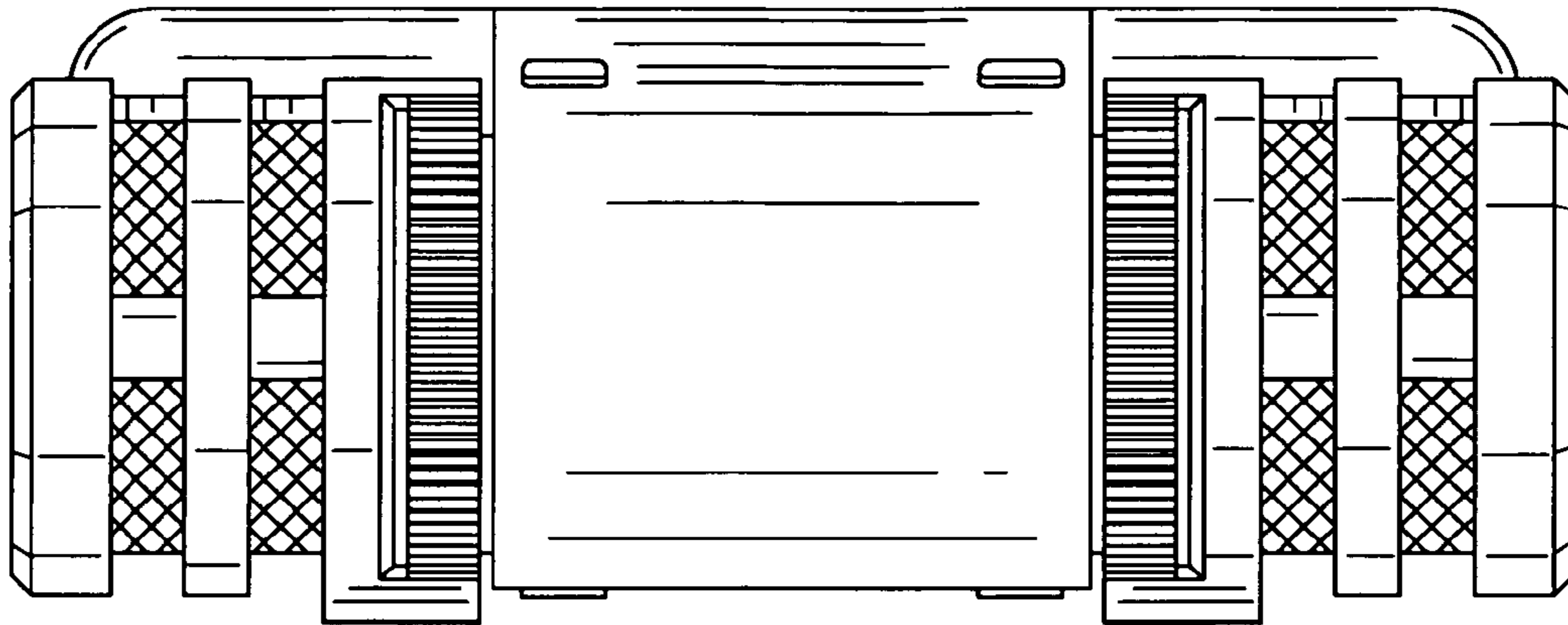


Fig.5

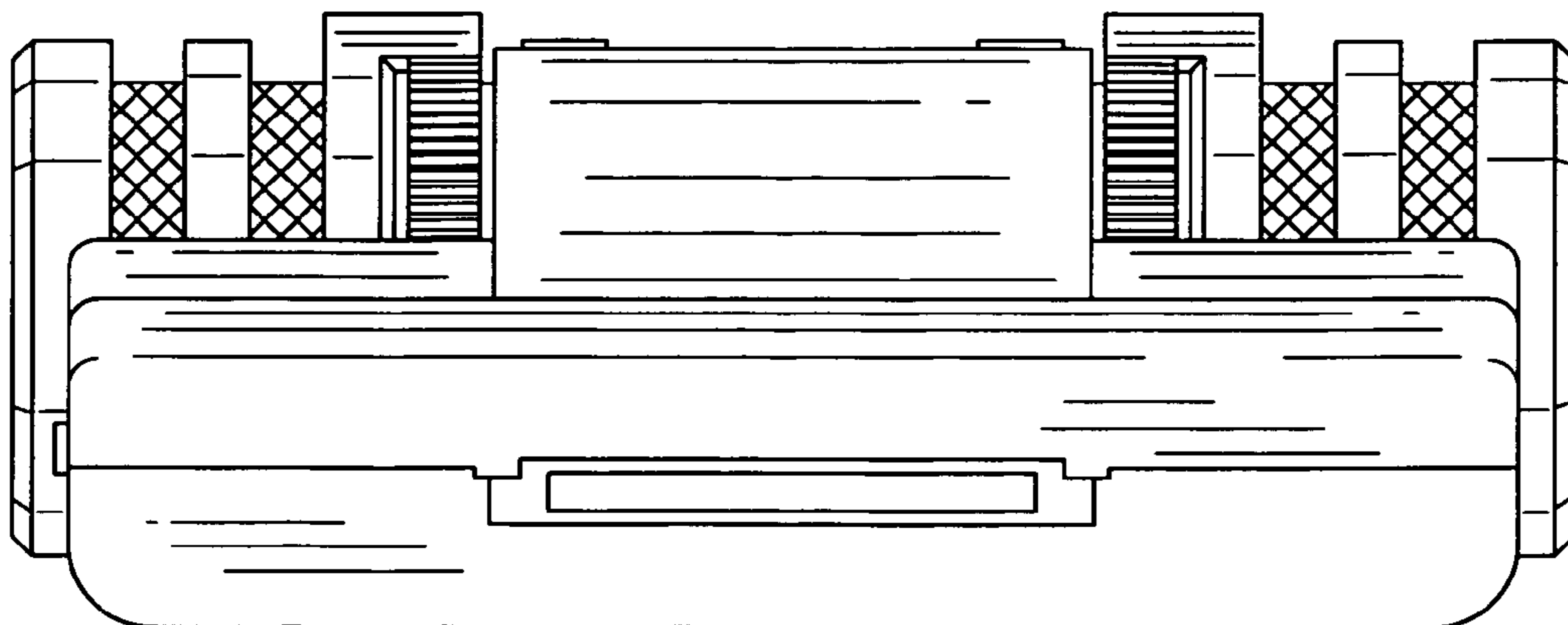


Fig.6

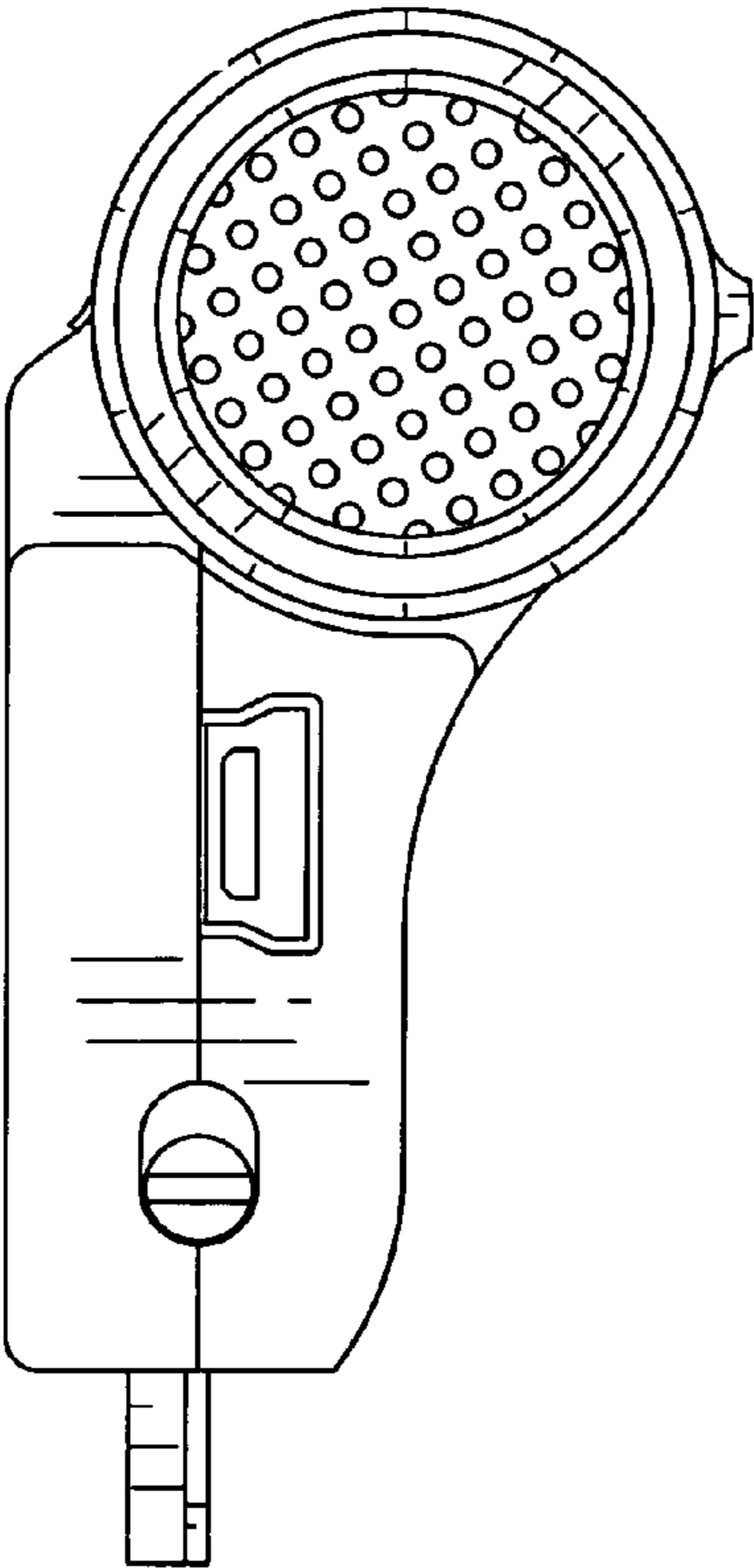


Fig.7

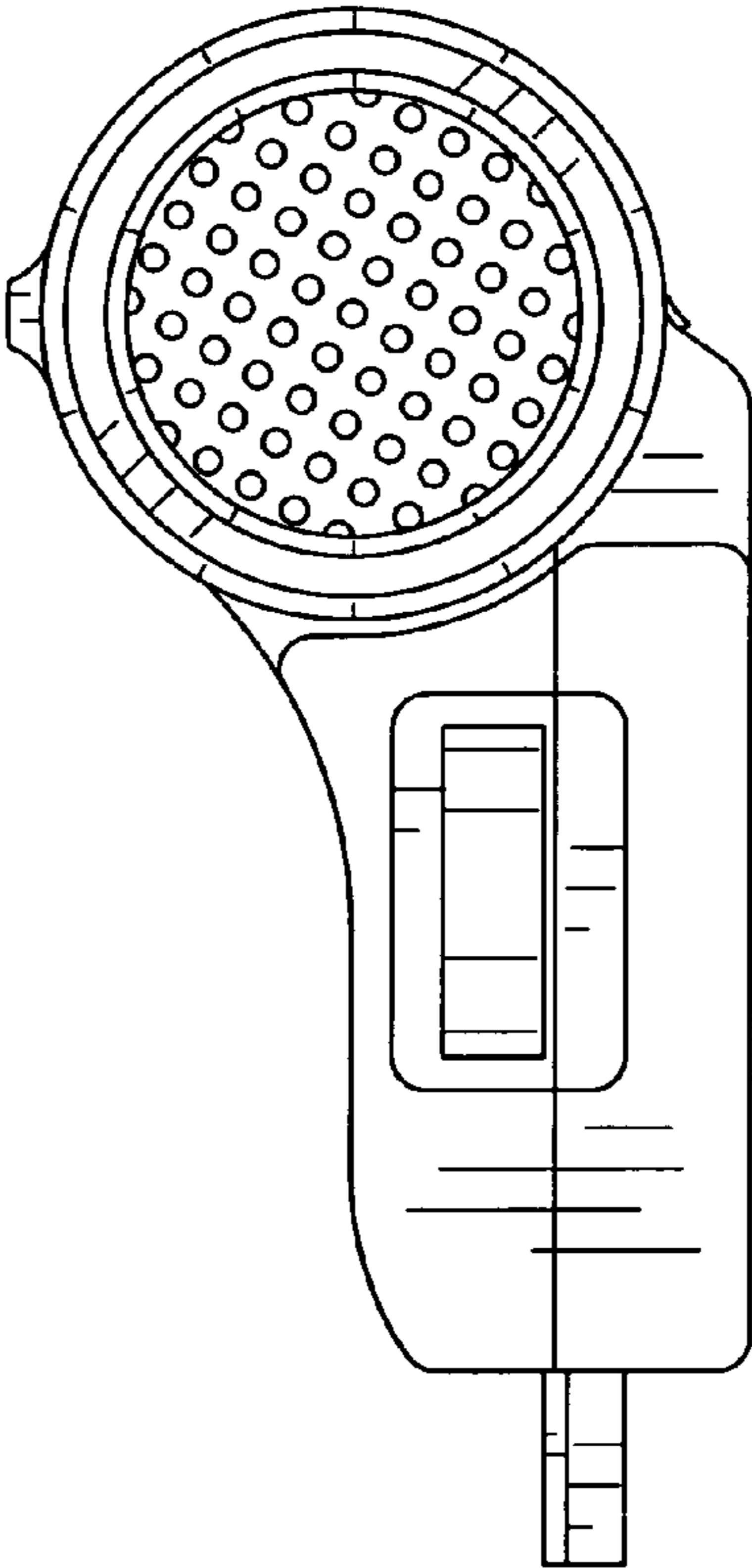


Fig.8

