



US00D658156S

(12) **United States Design Patent**
Olodort et al.

(10) **Patent No.:** **US D658,156 S**
(45) **Date of Patent:** **** Apr. 24, 2012**

- (54) **COLLAPSIBLE HEADPHONE**
 - (75) Inventors: **Robert Olodort**, Santa Monica, CA (US); **Peter Cazalet**, Campbell, CA (US)
 - (73) Assignee: **Moblissity LLC**, Santa Monica, CA (US)
 - (**) Term: **14 Years**
 - (21) Appl. No.: **29/380,302**
 - (22) Filed: **Dec. 2, 2010**
 - (51) **LOC (9) Cl.** **14-01**
 - (52) **U.S. Cl.** **D14/205**
 - (58) **Field of Classification Search** D14/205, D14/206, 223; 181/129, 130, 135; 379/430, 379/431; 381/380, 381, 383, 370, 374, 384; D29/112; 2/209; 455/90.3, 575.2
- See application file for complete search history.

- 5,438,626 A * 8/1995 Neuman et al. 381/383
- 5,809,574 A * 9/1998 Falco et al. 2/209
- 6,123,168 A 9/2000 Berg et al.
- 6,130,953 A 10/2000 Wilton et al.
- D439,574 S * 3/2001 Katayama D14/203.5
- 6,385,325 B1 5/2002 Nageno et al.
- D467,895 S * 12/2002 Hirano D14/192
- 6,654,966 B2 12/2003 Rolla
- 6,744,901 B2 6/2004 Ito et al.
- D505,411 S * 5/2005 Sakai D14/192
- D512,708 S 12/2005 Harris, Jr. et al.
- D512,983 S 12/2005 Tachikawa
- 6,993,143 B2 1/2006 Harris et al.
- 7,171,698 B2 2/2007 Saffran
- 7,172,052 B2 * 2/2007 Lenhard-Backhaus 181/129
- D538,269 S 3/2007 Tragatschnig

(Continued)

FOREIGN PATENT DOCUMENTS

- DE 741692 11/1943
- (Continued)

Primary Examiner — Paula Greene
(74) *Attorney, Agent, or Firm* — Blakely, Sokoloff, Taylor & Zafman LLP

(56) **References Cited**

U.S. PATENT DOCUMENTS

- 1,087,704 A 2/1914 Randall
- 1,398,958 A 12/1921 Basch
- 2,314,782 A * 3/1943 Goretsky 2/209
- 2,615,169 A 10/1952 Maxant
- 3,440,663 A * 4/1969 Beguin 2/209
- 3,908,200 A * 9/1975 Lundin 2/209
- 4,133,053 A * 1/1979 Lundin 2/209
- D266,244 S 9/1982 Hofer et al.
- 4,404,434 A 9/1983 Pelt et al.
- 4,409,442 A 10/1983 Kamimura
- 4,445,005 A 4/1984 Furuhashi
- 4,463,223 A 7/1984 Yamanoi et al.
- 4,517,418 A 5/1985 Baran et al.
- 4,571,746 A 2/1986 Gorike
- 4,588,868 A 5/1986 Bertagna et al.
- 4,597,469 A * 7/1986 Nagashima 181/129
- 4,609,786 A 9/1986 Omoto et al.
- D287,008 S 12/1986 Tragatschnig
- 4,671,265 A 6/1987 Andersson
- 5,293,647 A * 3/1994 Mirmilshhteyn et al. 2/209

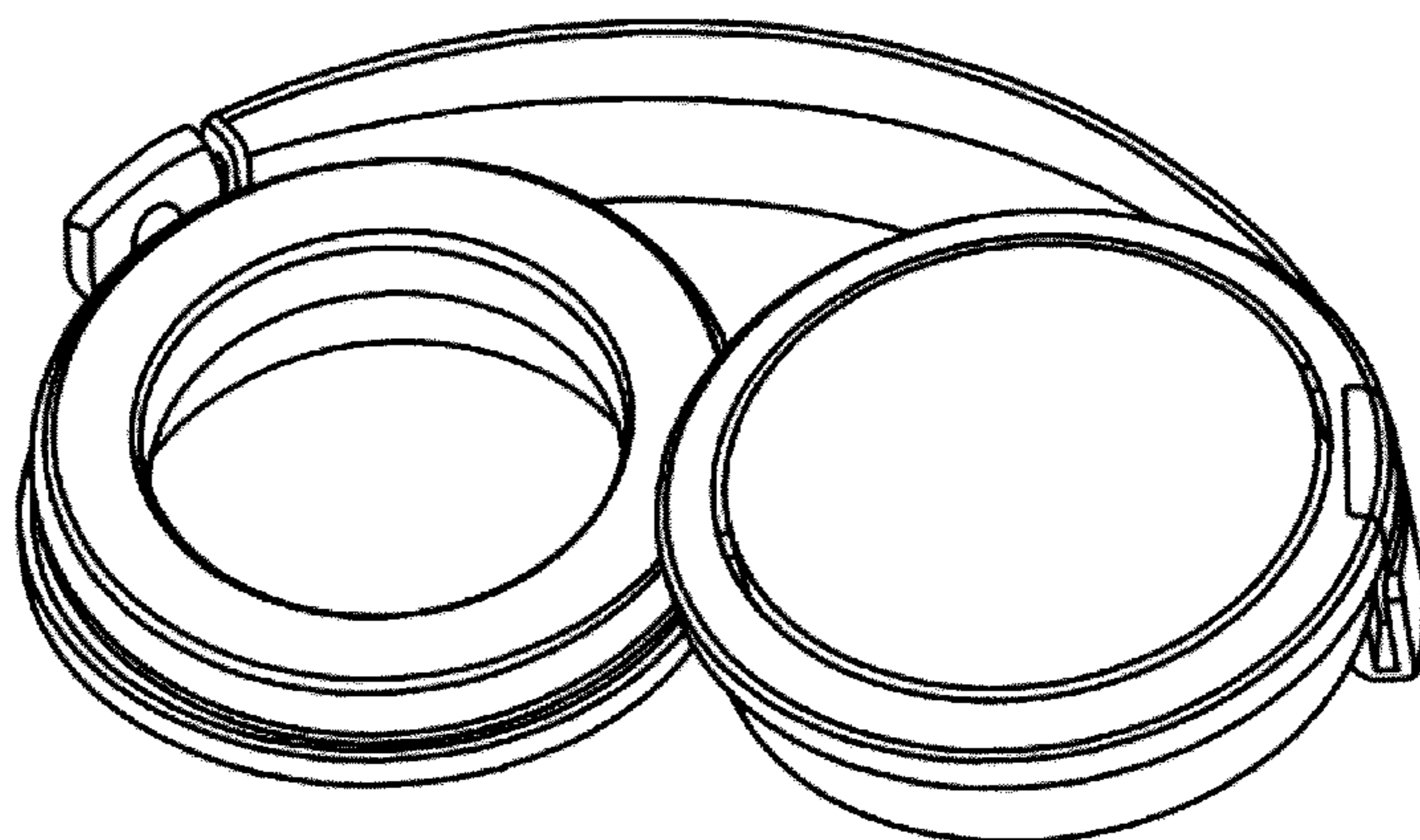
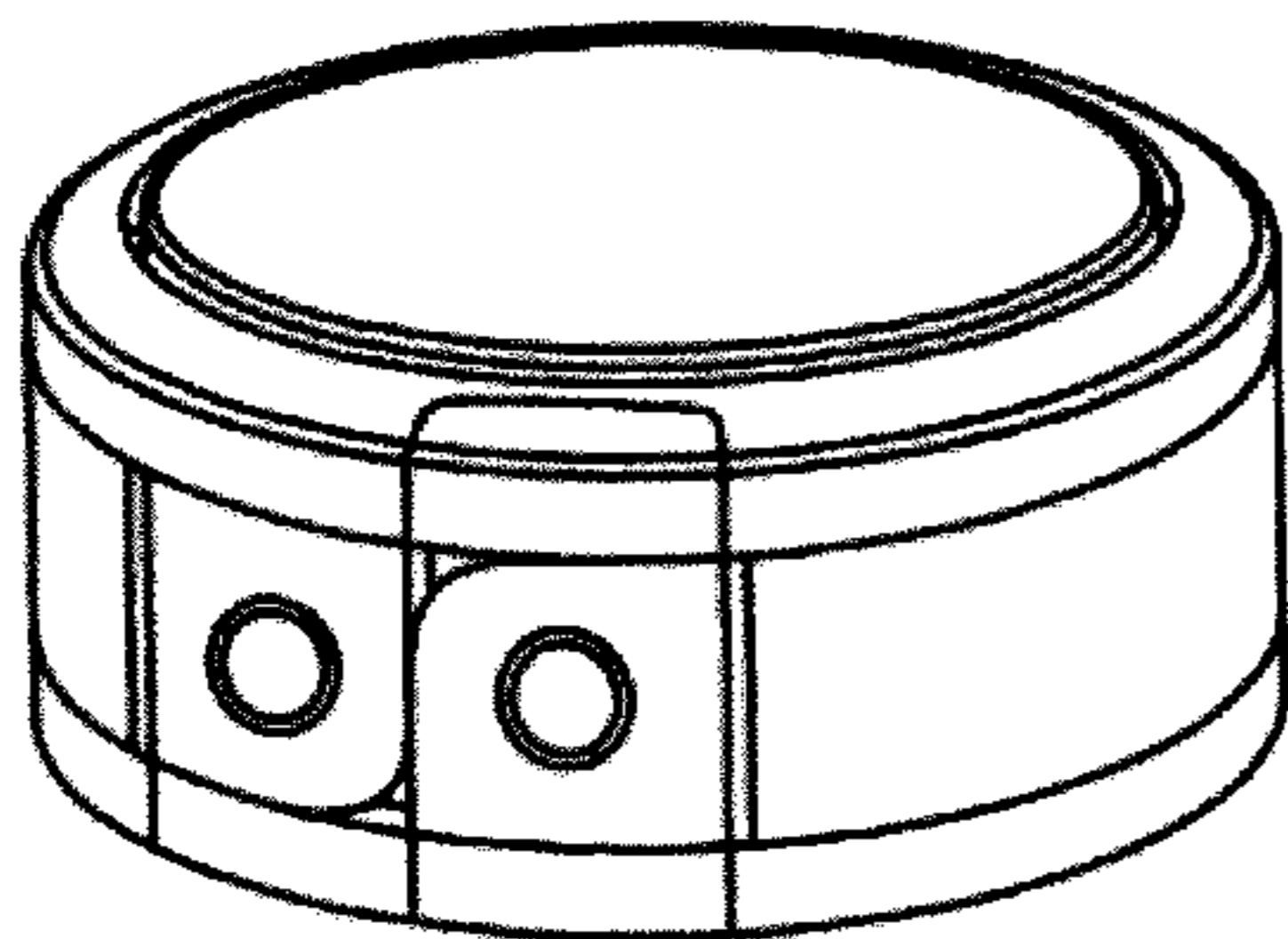
(57) **CLAIM**

The ornamental design for a collapsible headphone, as shown and described.

DESCRIPTION

FIG. 1 is a top plan view and a bottom plan view of a collapsible headphone showing our new design;
FIG. 2 is a side elevational view thereof;
FIG. 3 is an opposite side elevational view thereof;
FIG. 4 is a perspective view thereof;
FIG. 5 is a perspective view in an alternate open position thereof;
FIG. 6 is a perspective view on an alternate open position thereof; and,
FIG. 7 is a perspective view in an alternate position.

1 Claim, 3 Drawing Sheets



US D658,156 S

Page 2

U.S. PATENT DOCUMENTS

D540,302 S * 4/2007 Hagiwara et al. D14/205
7,292,703 B2 11/2007 Kaulfuss et al.
7,372,974 B2 * 5/2008 Yanagishita et al. 381/384
D582,890 S * 12/2008 Koza et al. D14/205
D588,098 S * 3/2009 Kurihara D14/205
D592,640 S * 5/2009 Tkachuk D14/205
7,580,539 B2 8/2009 Tachikawa
7,720,246 B2 5/2010 Wang et al.
D620,474 S * 7/2010 Komiyama D14/205
D625,705 S * 10/2010 Ohori et al. D14/205
D634,732 S * 3/2011 Kondo et al. D14/205
D635,957 S * 4/2011 Hirano et al. D14/205

D639,775 S * 6/2011 Horibe et al. D14/205
2003/0182713 A1 10/2003 Rolla
2008/0120766 A1 5/2008 Wozniak
2010/0177907 A1 7/2010 Morisawa

FOREIGN PATENT DOCUMENTS

EP 0 994 636 A2 4/2000
GB 1218086 (A) 1/1971
JP 59210790 (A) 11/1984
JP 6113385 (A) 4/1992
WO WO2010008829 A1 1/2010

* cited by examiner

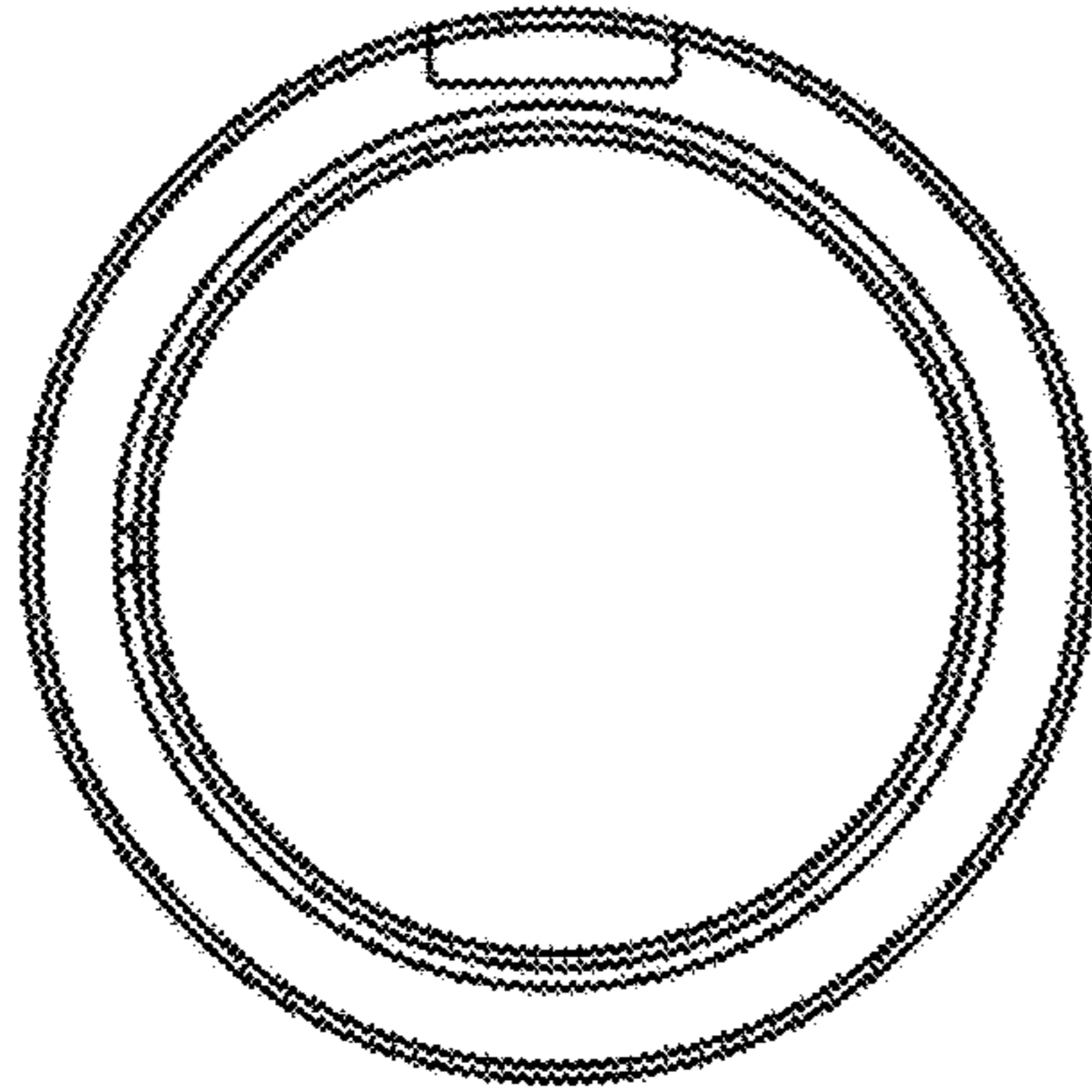


FIG. 1

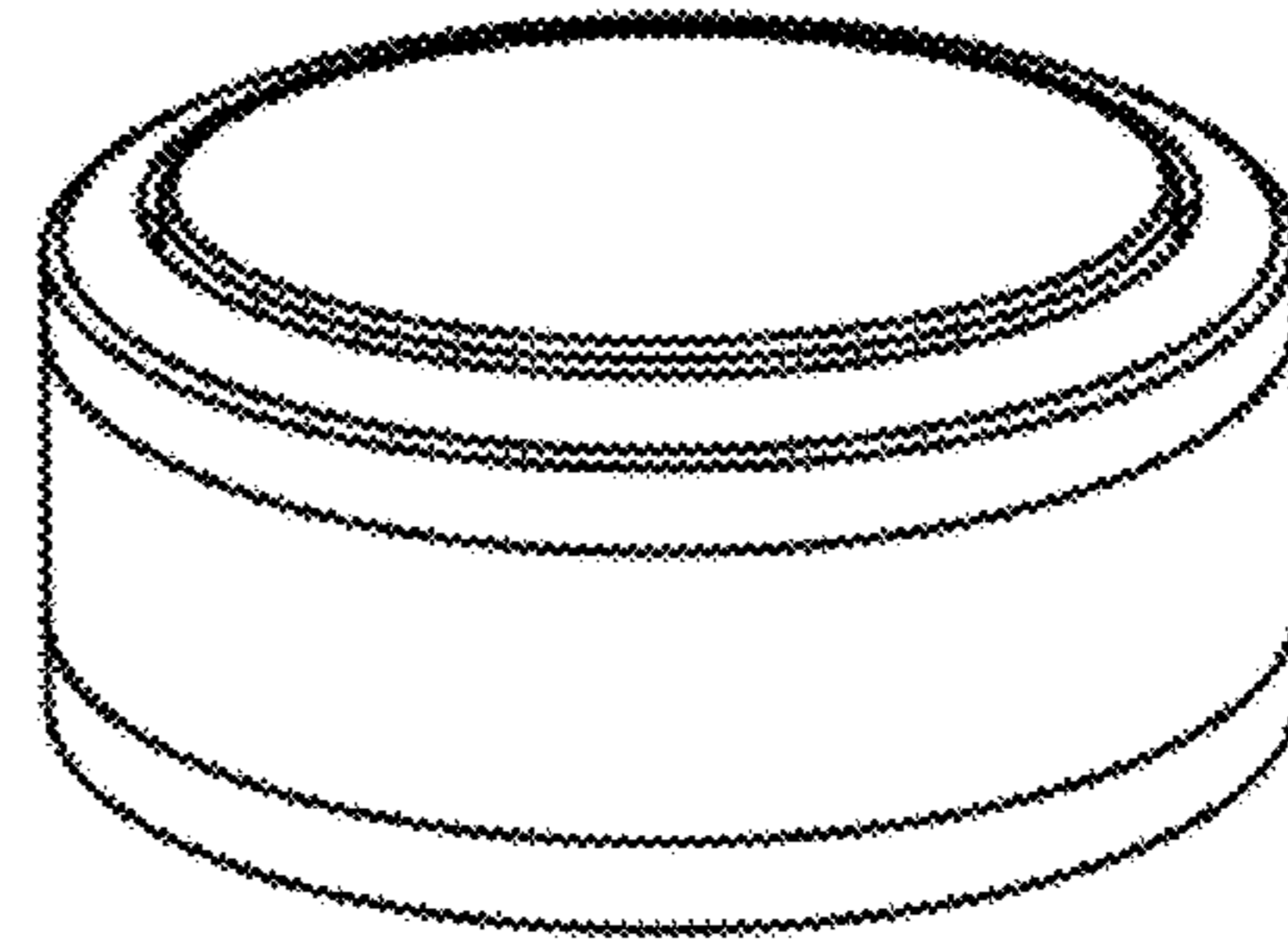


FIG. 2

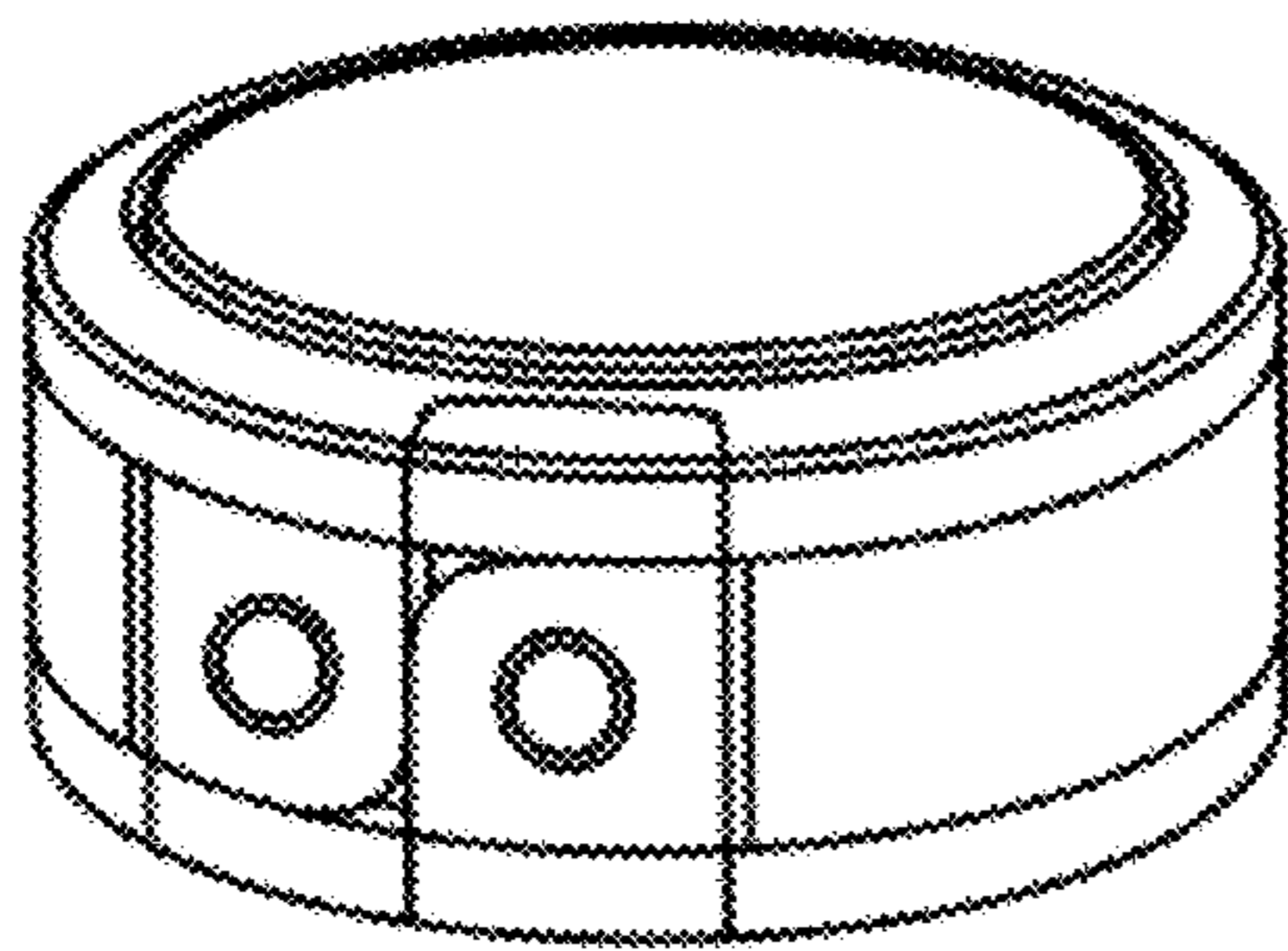


FIG. 3

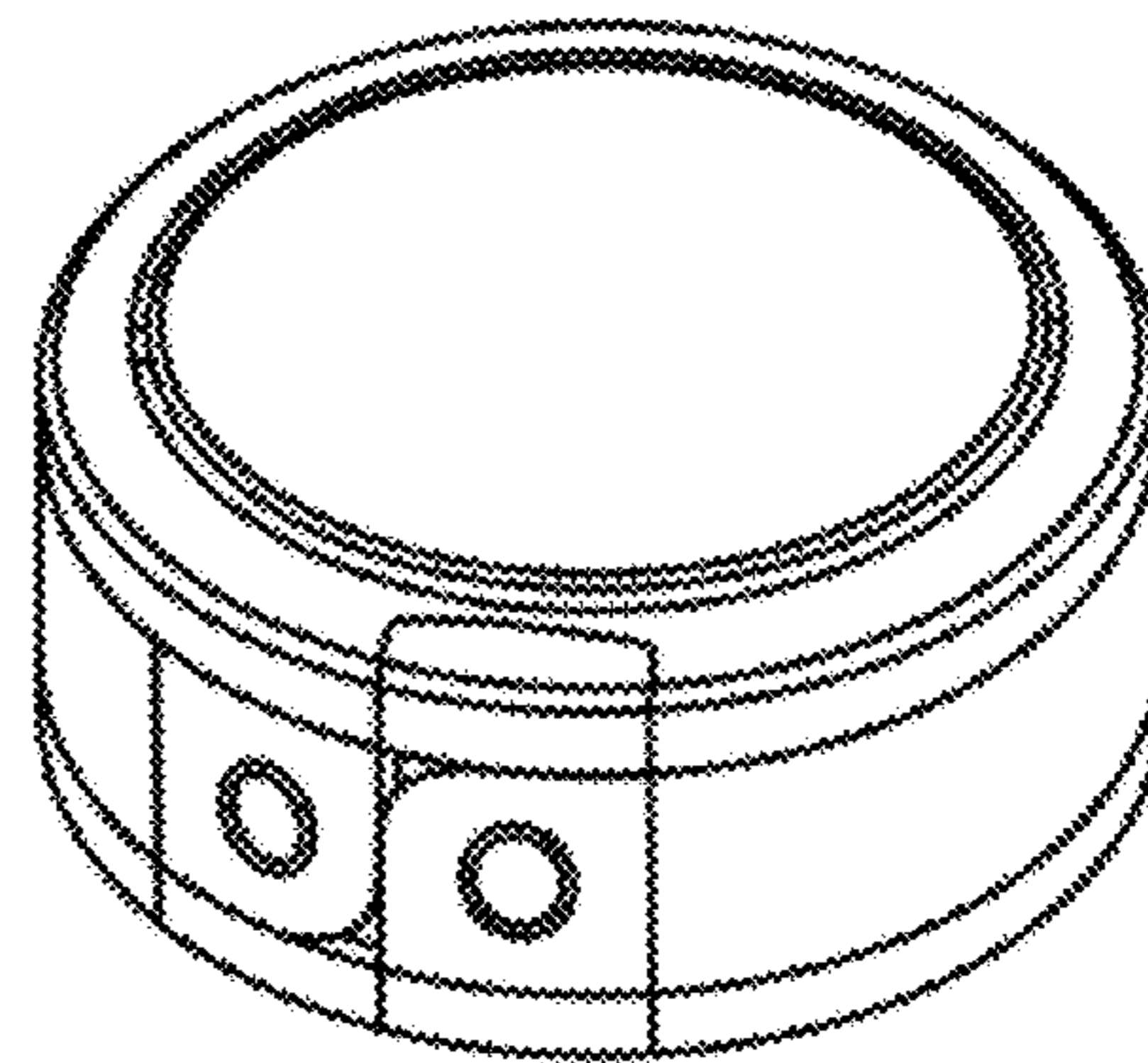


FIG. 4

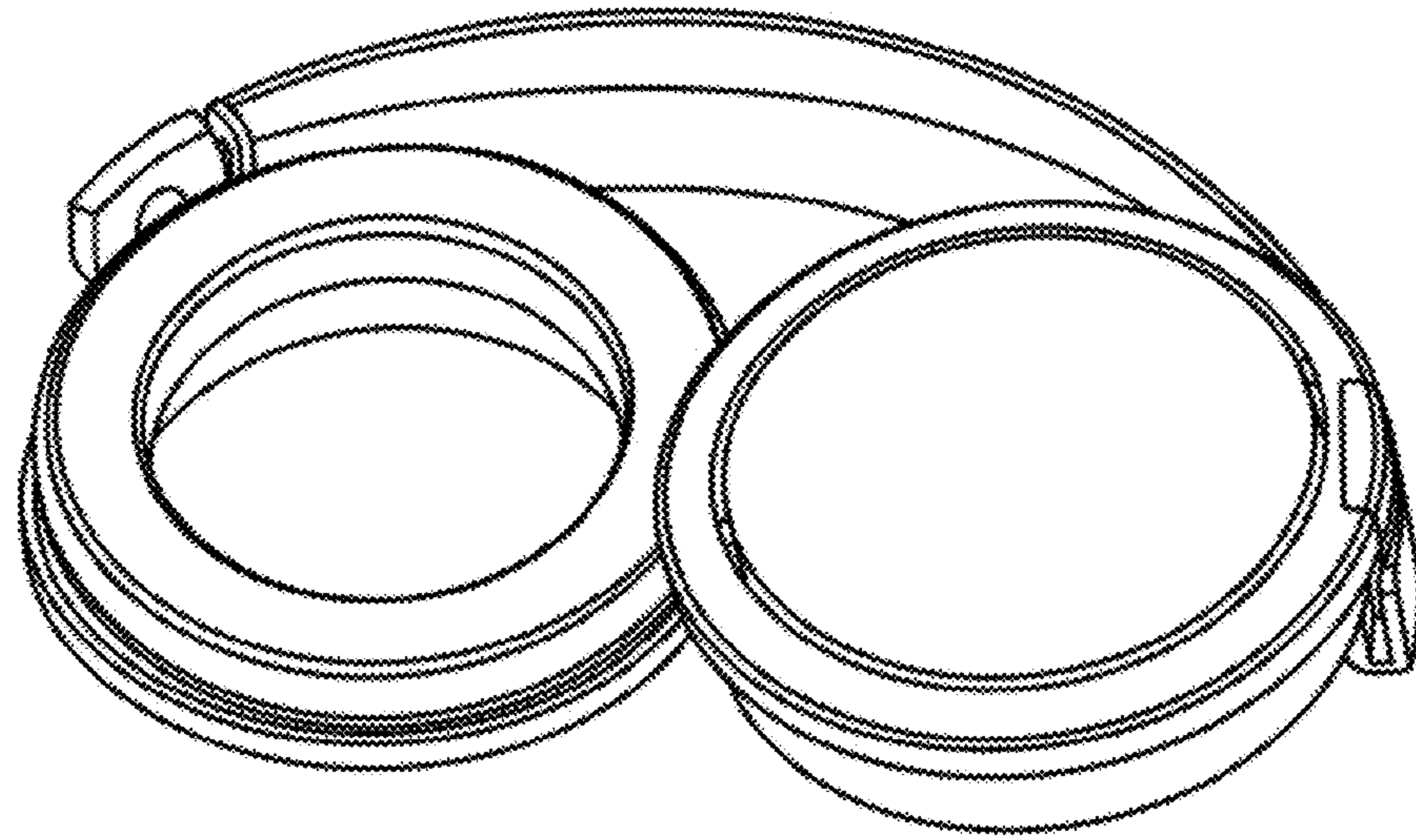


FIG. 5

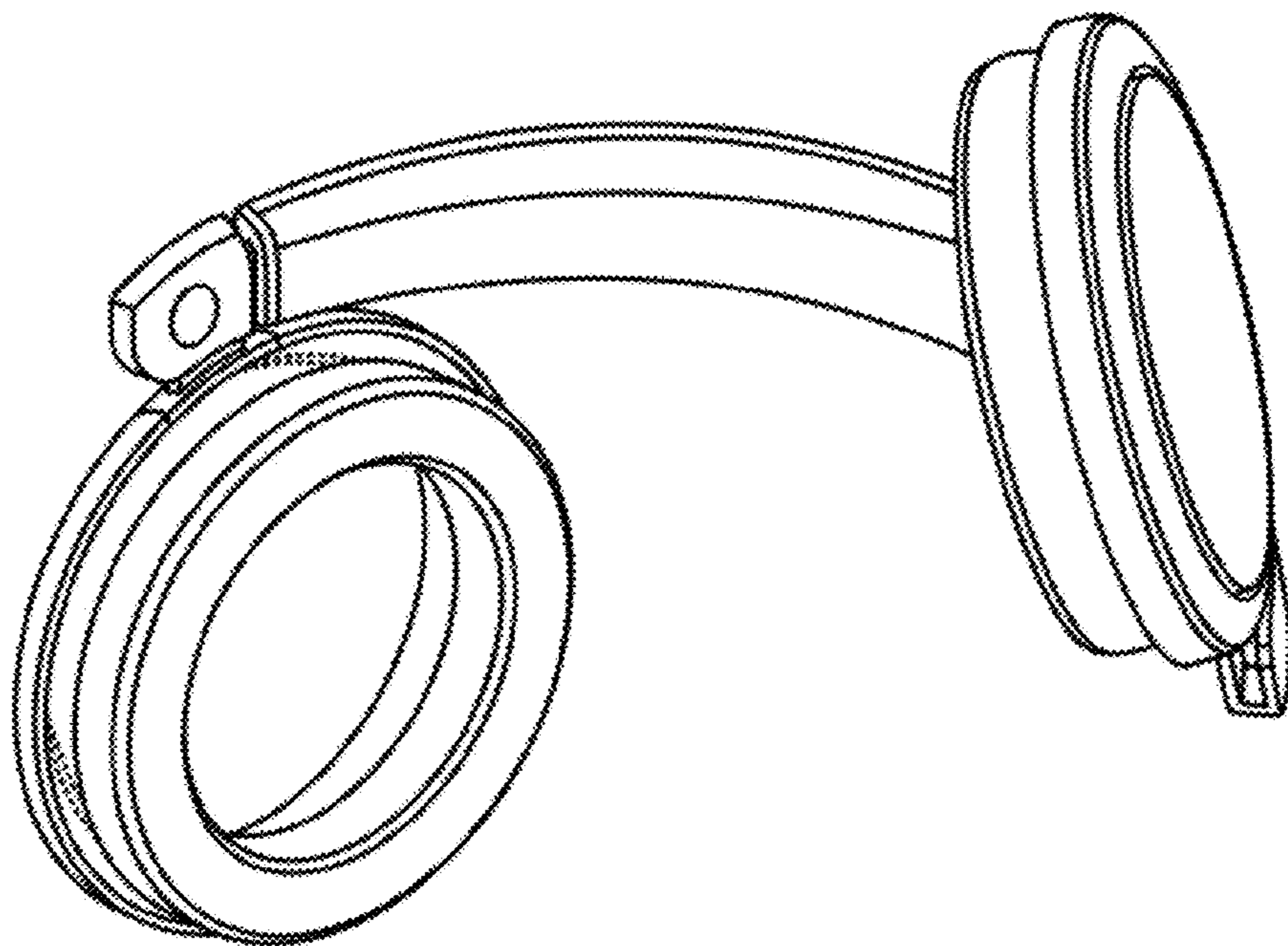


FIG. 6



FIG. 7