



US00D658155S

(12) **United States Design Patent**
Ohta

(10) **Patent No.:** **US D658,155 S**

(45) **Date of Patent:** **** Apr. 24, 2012**

(54) **ELECTRIC POWER INFORMATION
DISPLAY DEVICE**

(75) Inventor: **Fumio Ohta, Yao (JP)**

(73) Assignee: **Hosiden Corporation, Osaka (JP)**

(**) Term: **14 Years**

(21) Appl. No.: **29/394,955**

(22) Filed: **Jun. 23, 2011**

(30) **Foreign Application Priority Data**

Jan. 18, 2011 (JP) 2011-000892

(51) **LOC (9) Cl.** **14-03**

(52) **U.S. Cl.** **D14/203.7; D14/203.3; D14/496**

(58) **Field of Classification Search** D14/496,
D14/401, 435, 474, 483, 217, 137, 138, 160,
D14/168, 356, 203.1–203.8, 507; 345/156,
345/169, 173–179, 905; 715/727–729, 864;
710/1, 5, 8; 713/1, 600; 455/1.1, 1.7, 73,
455/344–347, 93, 95, 3.01–3.06, 550.1, 573.1;
370/342–344; 369/1, 2, 6–12; 463/43–47;
273/148 B

See application file for complete search history.

(56) **References Cited**

U.S. PATENT DOCUMENTS

D507,003	S	*	7/2005	Pai et al.	D14/203.7
D521,527	S	*	5/2006	Lee	D14/203.7
D522,019	S	*	5/2006	Peng	D14/203.7
D523,446	S	*	6/2006	Peng	D14/203.7
D533,564	S	*	12/2006	Kim	D14/203.7
D534,153	S	*	12/2006	Naruki	D14/203.7
7,193,165	B2	*	3/2007	Kawanobe et al.	200/5 R
7,499,284	B2	*	3/2009	Kawanobe et al.	361/752
D613,341	S	*	4/2010	Mar et al.	D21/329
D629,787	S	*	12/2010	Lee	D14/203.7
D629,788	S	*	12/2010	Lee	D14/203.7

* cited by examiner

Primary Examiner — Prabhakar Deshmukh

(74) *Attorney, Agent, or Firm* — The Webb Law Firm

(57) **CLAIM**

The ornamental design for an electric power information display device, as shown and described.

DESCRIPTION

FIG. 1 is a front view of an electric power information display device in accordance with my new design;
FIG. 2 is a rear view thereof;
FIG. 3 is a left side view thereof;
FIG. 4 is a right side view thereof;
FIG. 5 is a top plan view thereof;
FIG. 6 is a bottom view thereof;
FIG. 7 is a perspective view of FIG. 1; and,
FIG. 8 is a perspective view of FIG. 2.

1 Claim, 8 Drawing Sheets

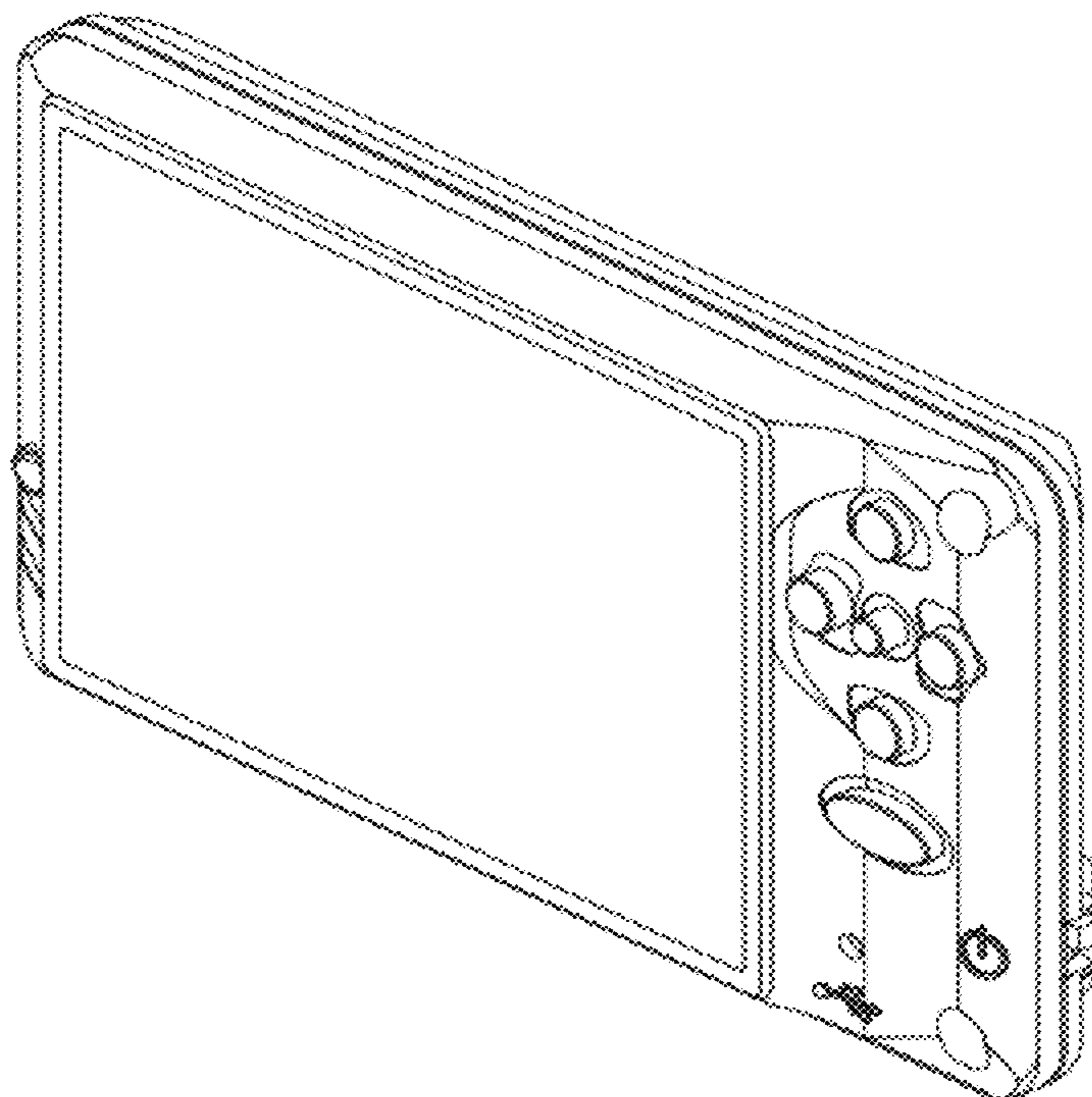


Fig. 1

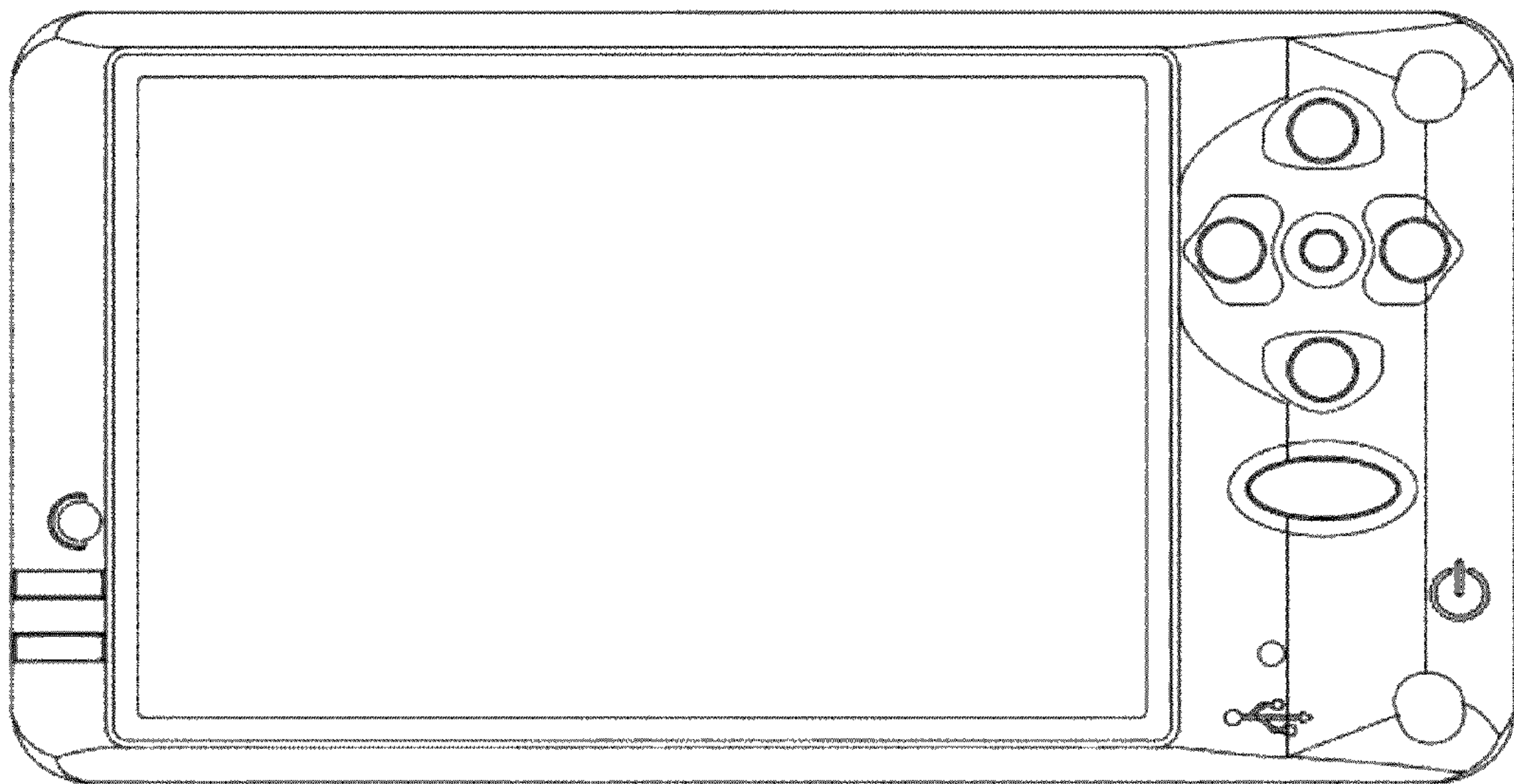


Fig. 2

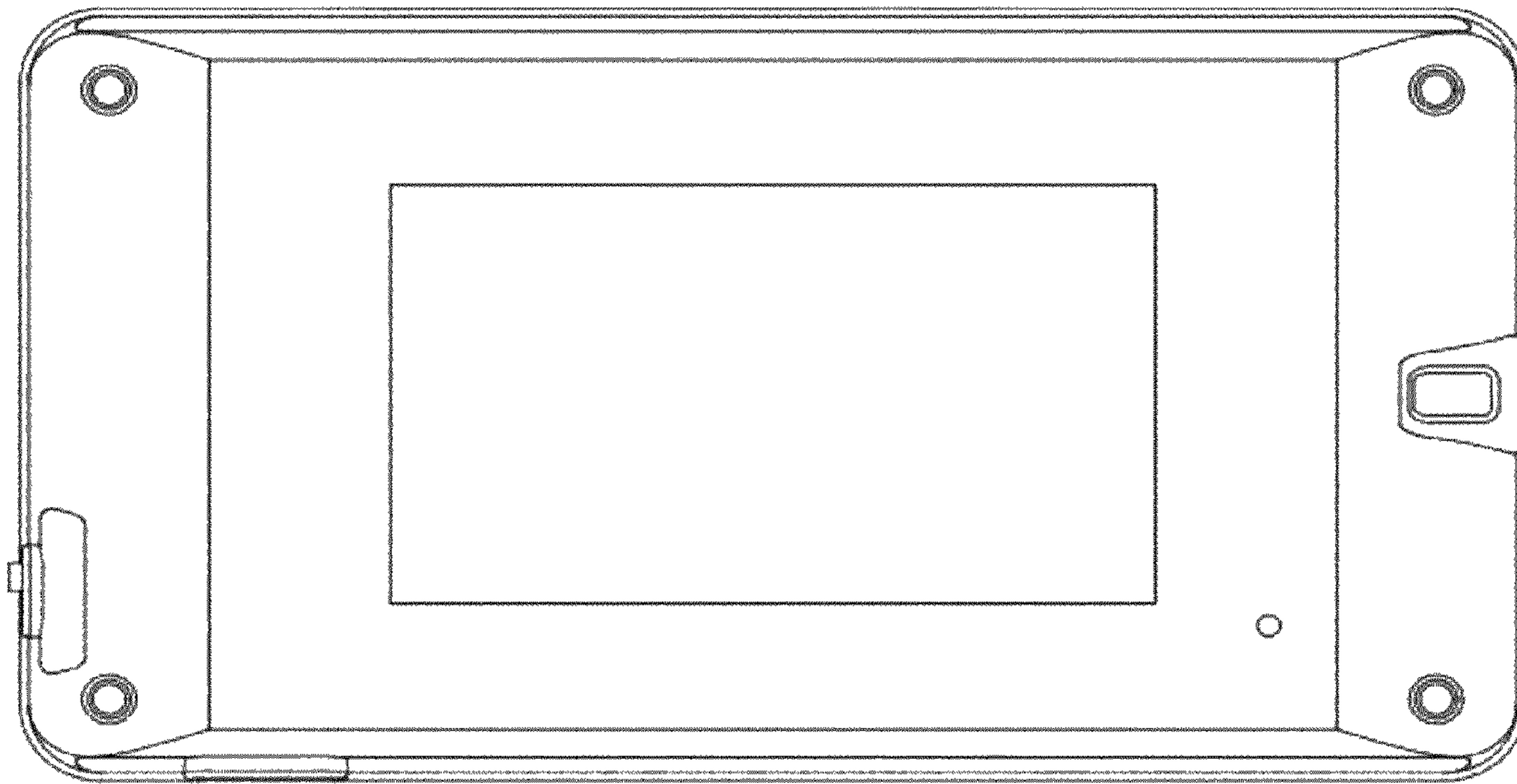


Fig. 3

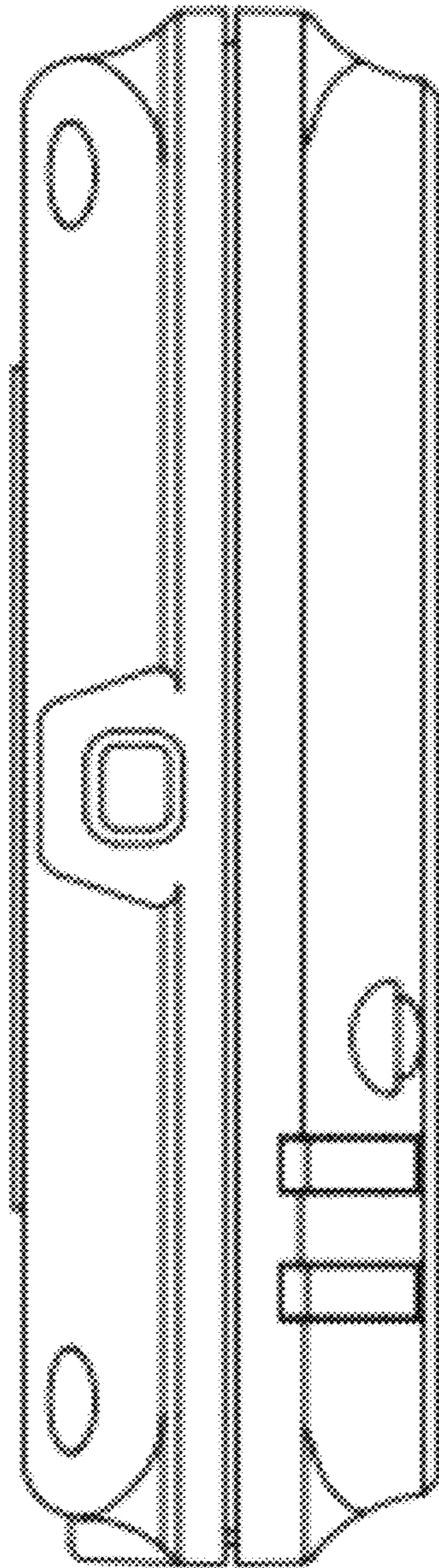


Fig. 4

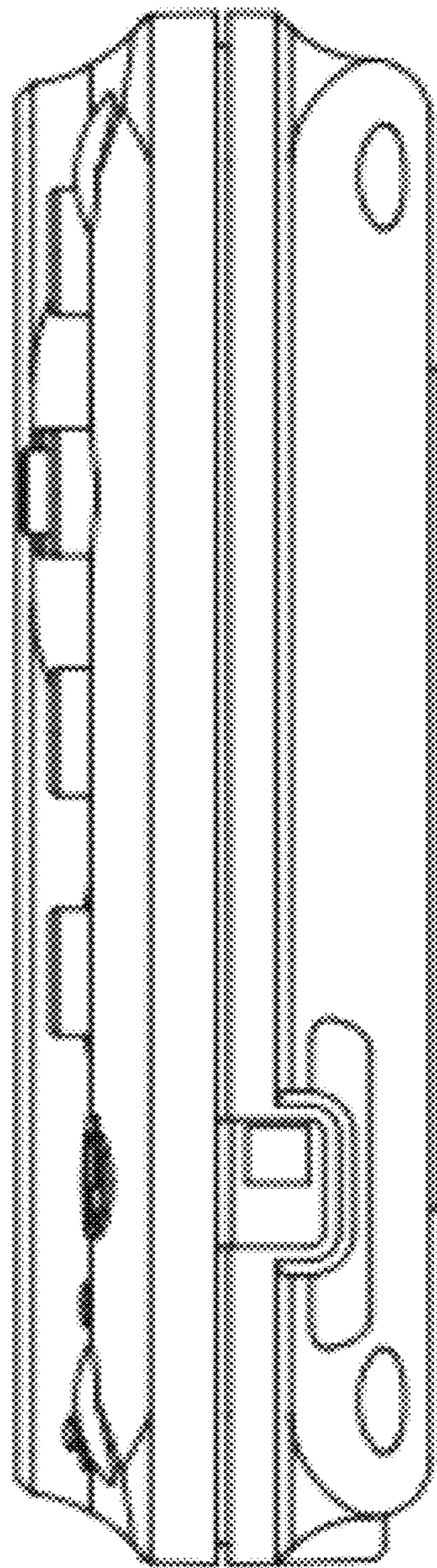


Fig. 5

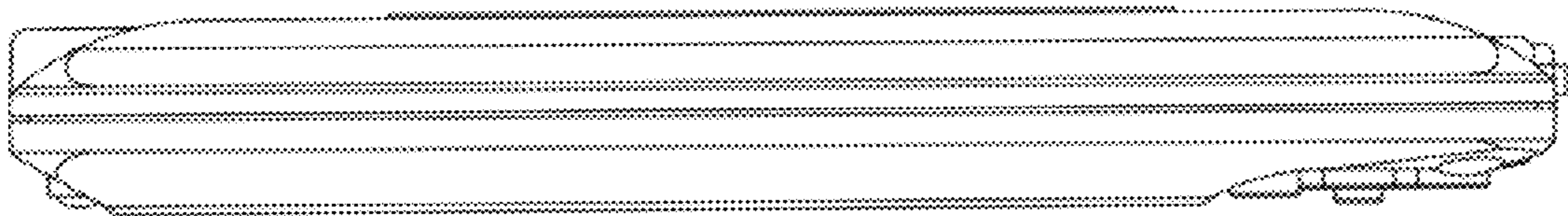


Fig. 6

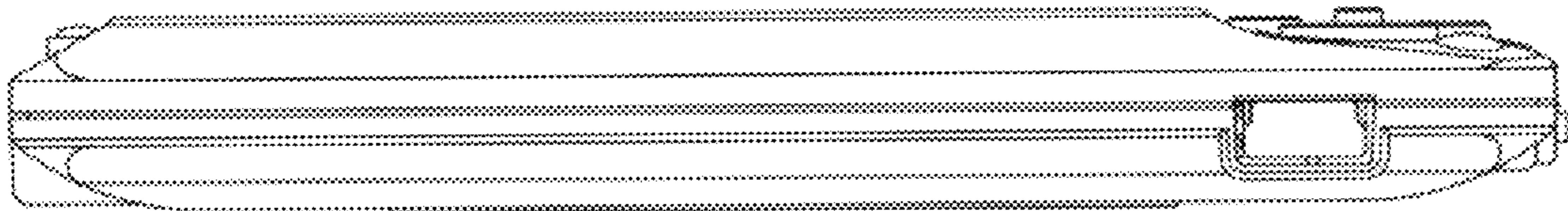


Fig. 7

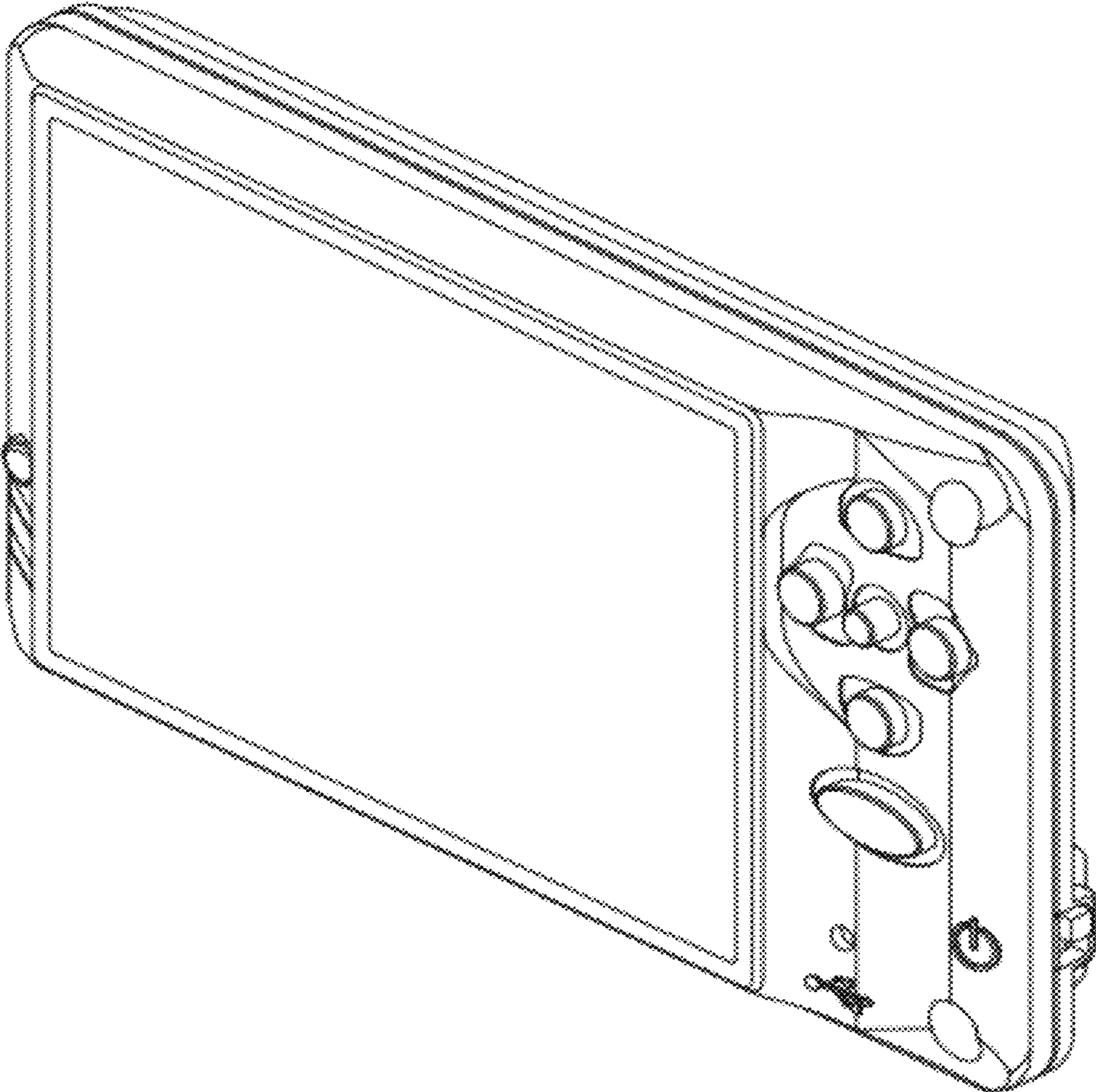


Fig. 8

