



US00D658151S

(12) **United States Design Patent**  
**Joseph**

(10) **Patent No.:** **US D658,151 S**  
(45) **Date of Patent:** **\*\* Apr. 24, 2012**

(54) **BLUETOOTH CLOCK RADIO WITH MEDIA DOCK**

D622,258 S \* 8/2010 Joseph ..... D14/171  
D622,259 S \* 8/2010 Joseph et al. .... D14/171  
D645,841 S \* 9/2011 Joseph ..... D14/171  
D648,743 S \* 11/2011 Chang ..... D14/496

(75) Inventor: **Brian Joseph**, Brooklyn, NY (US)

\* cited by examiner

(73) Assignee: **SDI Technologies, Inc.**, Rahway, NJ (US)

*Primary Examiner* — Stella Reid  
*Assistant Examiner* — Keli L Hill

(\*\*) Term: **14 Years**

(74) *Attorney, Agent, or Firm* — Ostrolenk Faber LLP

(21) Appl. No.: **29/394,530**

(22) Filed: **Jun. 17, 2011**

(51) **LOC (9) Cl.** ..... **14-01**

(52) **U.S. Cl.** ..... **D14/171**

(58) **Field of Classification Search** ..... D14/137,  
D14/155, 168, 170, 171, 188, 189, 193-198,  
D14/203.1-203.8, 204, 208, 209.1, 210, 212,  
D14/214, 217, 434, 496; D10/2; 312/7.1;  
369/6-12; 370/342-344; 455/90.1-90.3,  
455/344-355

See application file for complete search history.

(56) **References Cited**

U.S. PATENT DOCUMENTS

D554,622 S \* 11/2007 Joseph ..... D14/217  
D560,650 S \* 1/2008 Choi ..... D14/171  
D577,709 S \* 9/2008 Skurdal ..... D14/171  
D583,358 S \* 12/2008 Joseph ..... D14/171  
D583,359 S \* 12/2008 Skurdal ..... D14/171  
D600,251 S \* 9/2009 Poandl ..... D14/496  
D614,200 S \* 4/2010 Skurdal ..... D14/496  
D616,413 S \* 5/2010 Poandl ..... D14/171

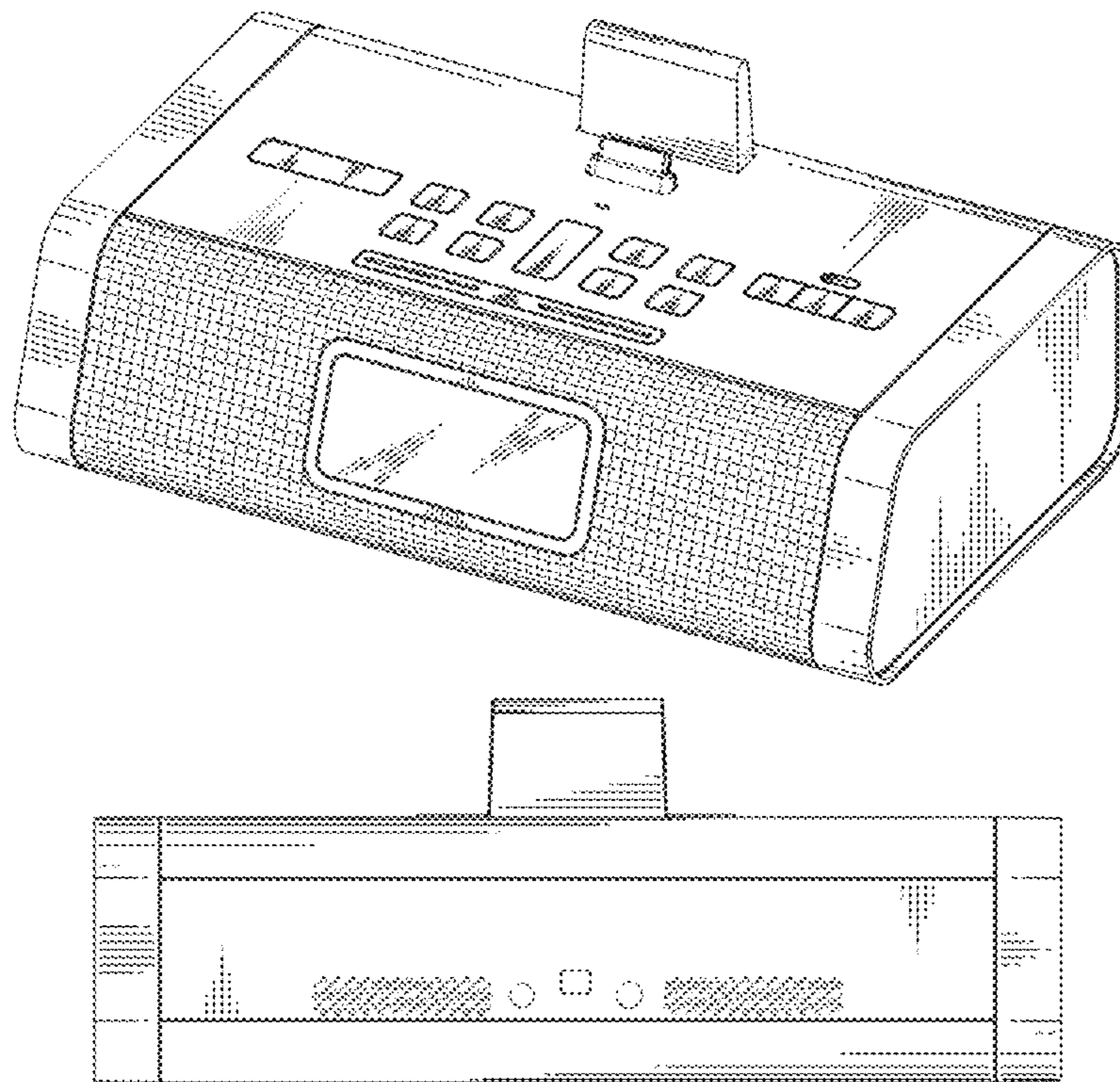
(57) **CLAIM**

The ornamental design for a bluetooth clock radio with media dock, as shown and described.

**DESCRIPTION**

FIG. 1 is a front, top, side perspective view of a bluetooth clock radio with media dock showing my new design; FIG. 2 is a front view thereof; FIG. 3 is a rear view thereof; FIG. 4 is a top view thereof; FIG. 5 is a bottom view thereof; FIG. 6 is a left side view thereof, the right side view being a mirror image; FIG. 7 is a cross-sectional view thereof along line 7-7 in FIG. 4; and, FIG. 8 is a cross-sectional view thereof along line 8-8 in FIG. 4.  
The broken lines in the drawings illustrate environmental material that forms no part of the claimed design.

**1 Claim, 8 Drawing Sheets**



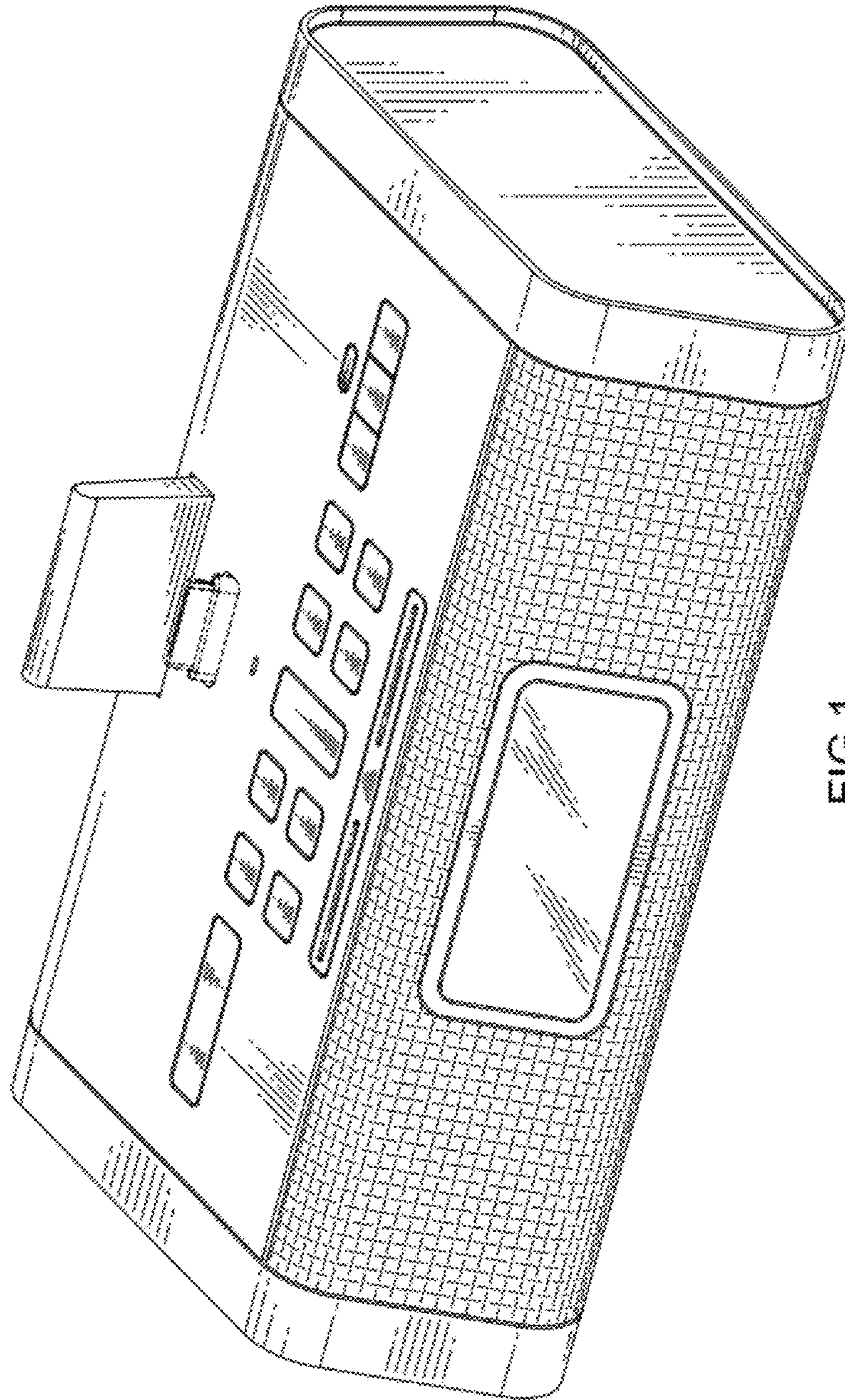


FIG.1

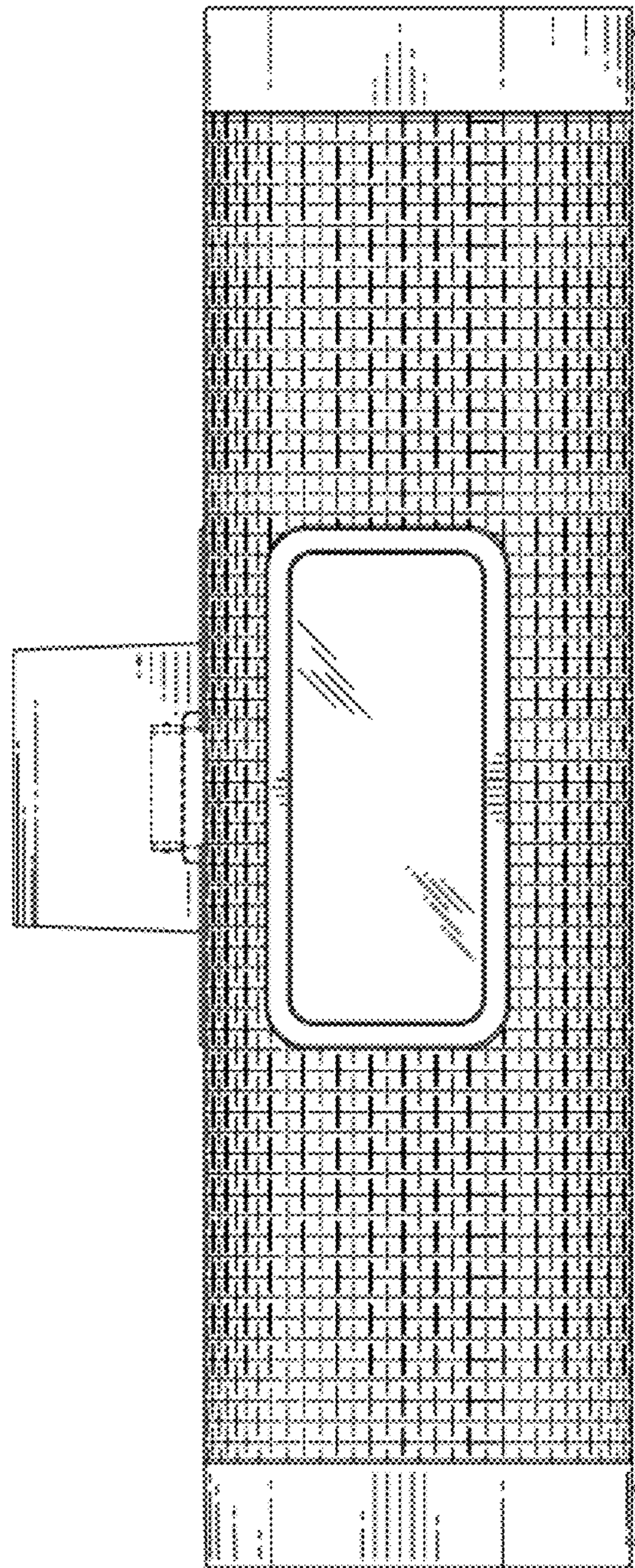


FIG. 2

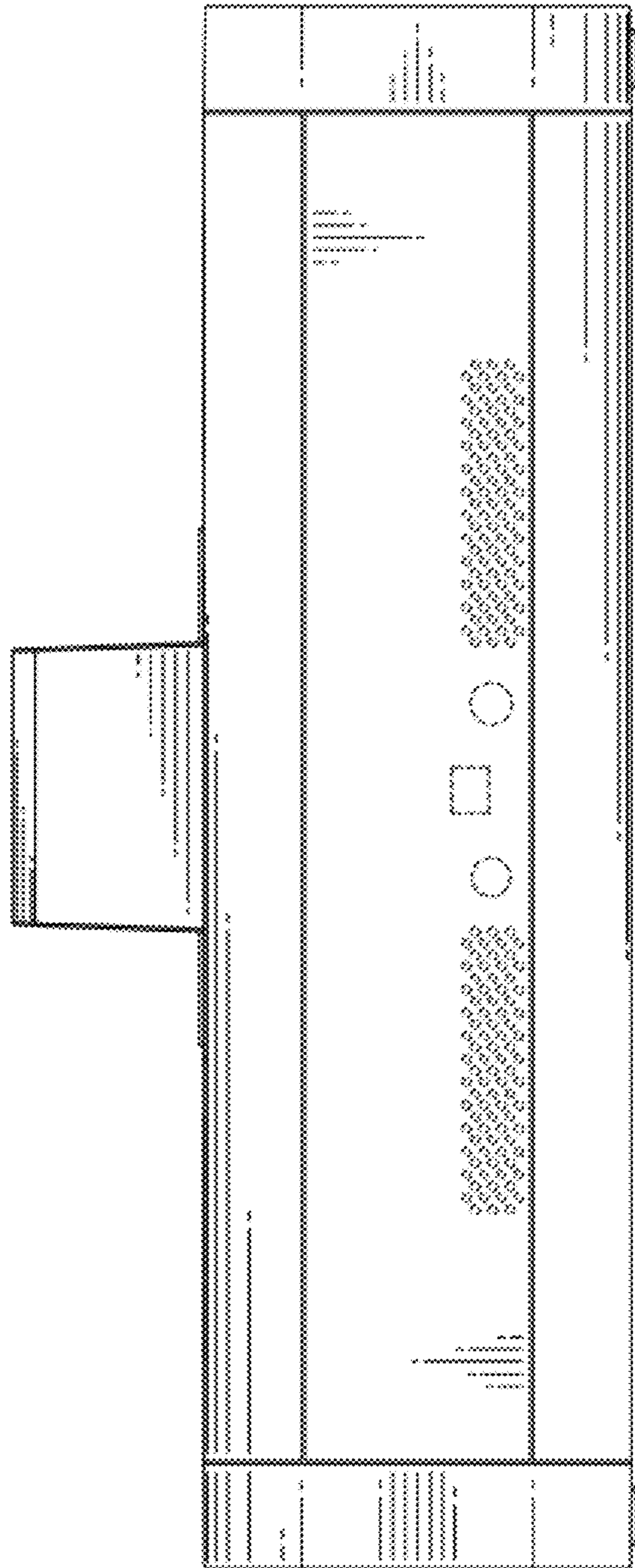


FIG. 3

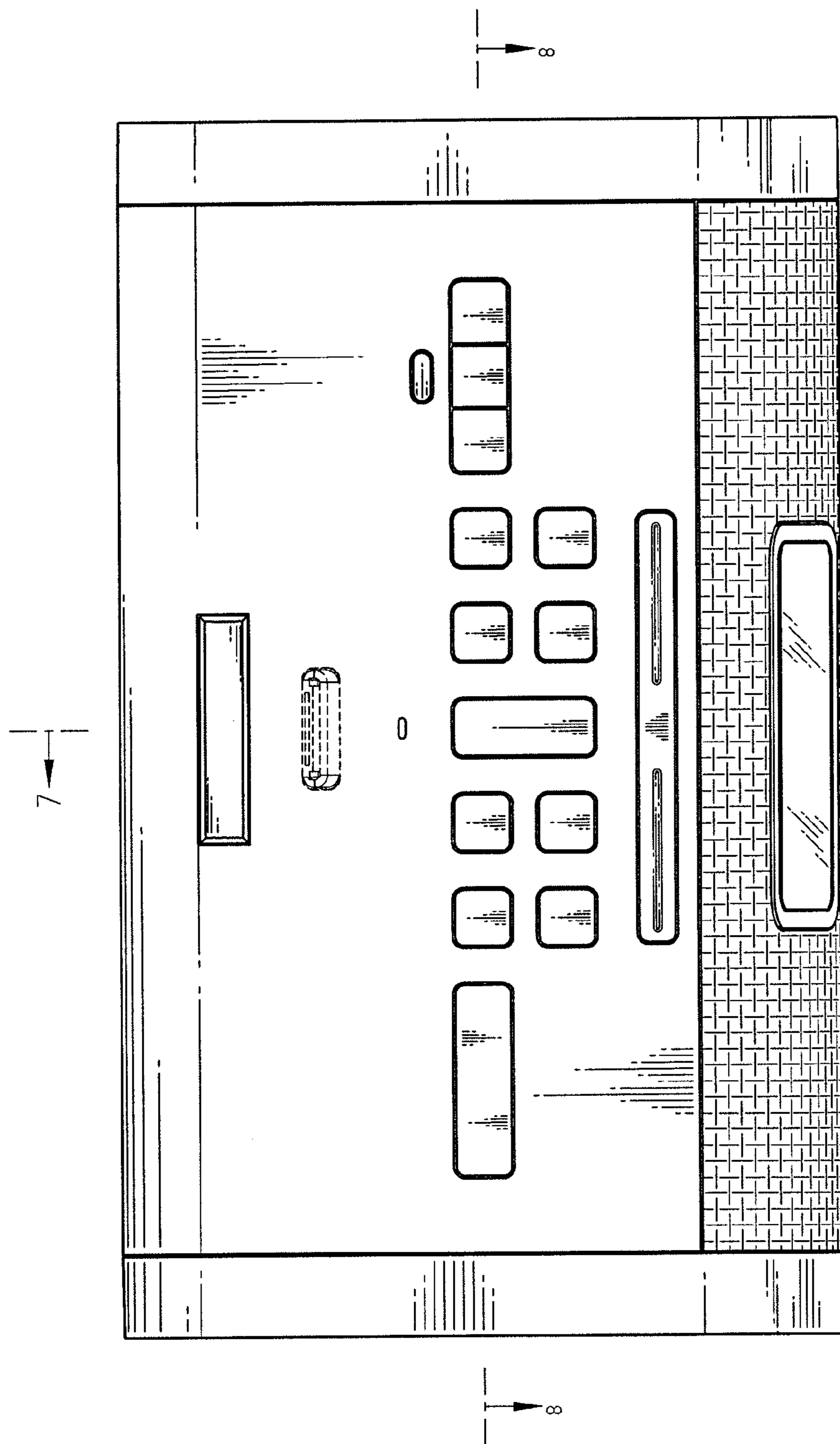


FIG. 4

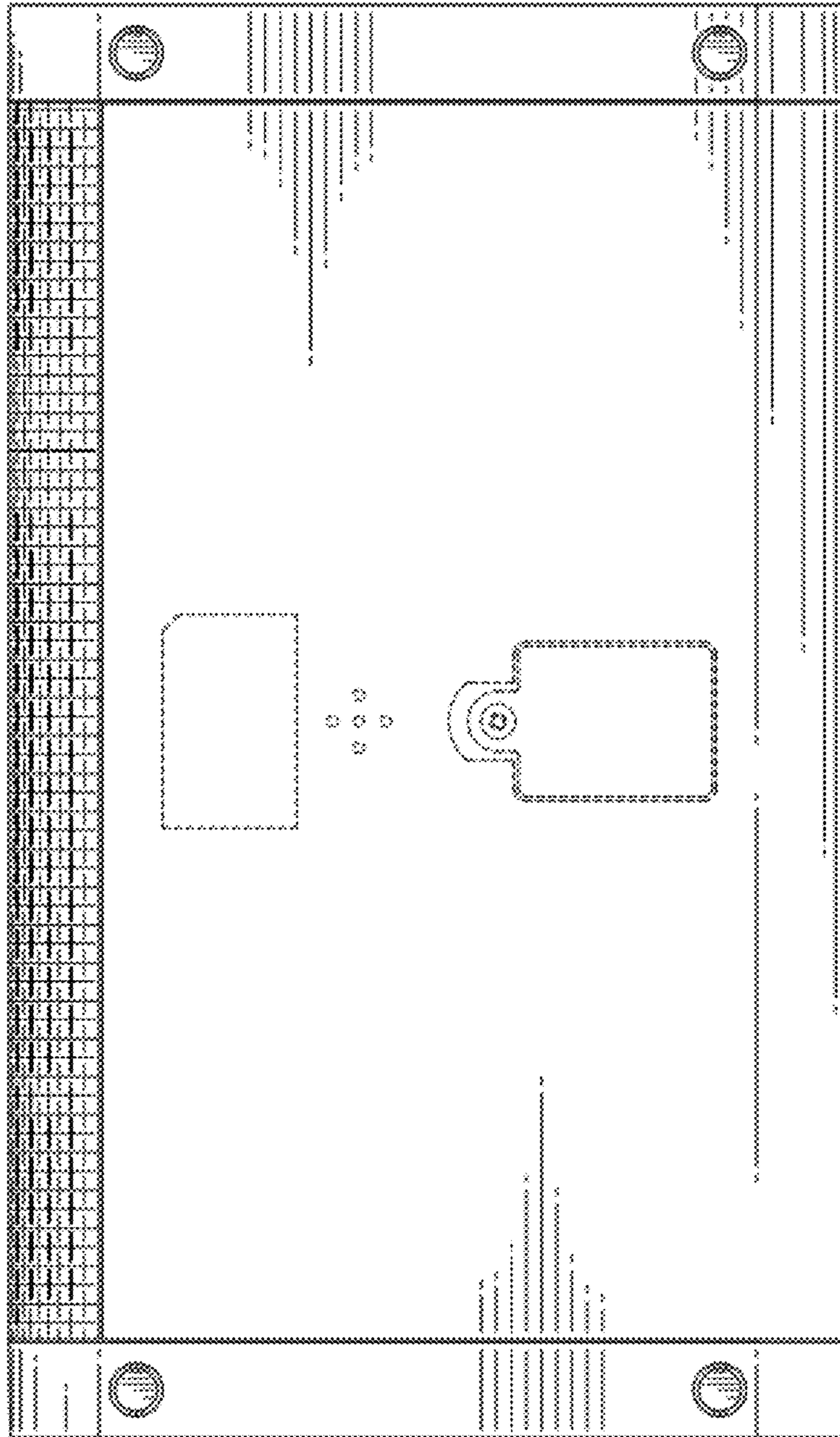


FIG. 5

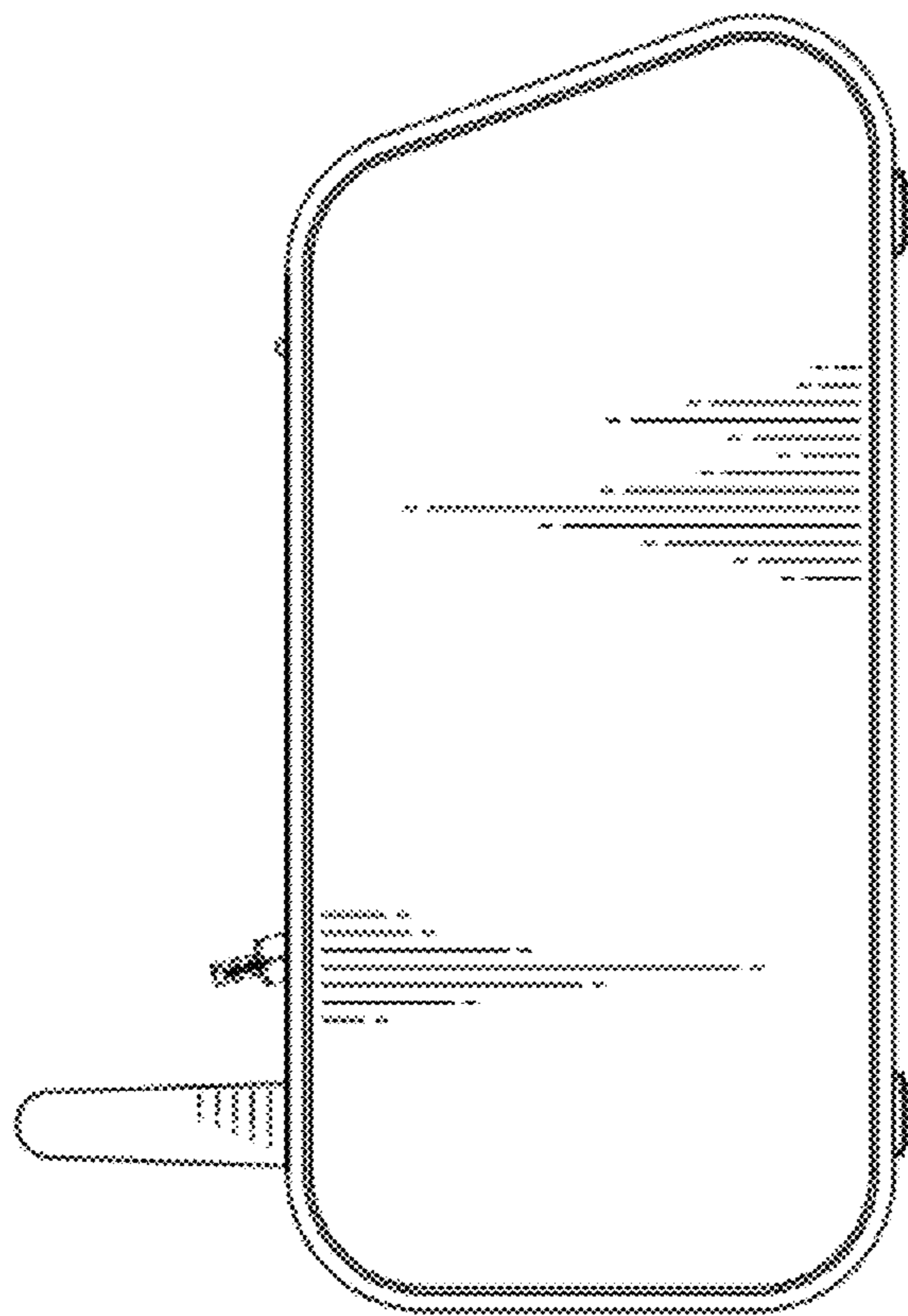


FIG. 6

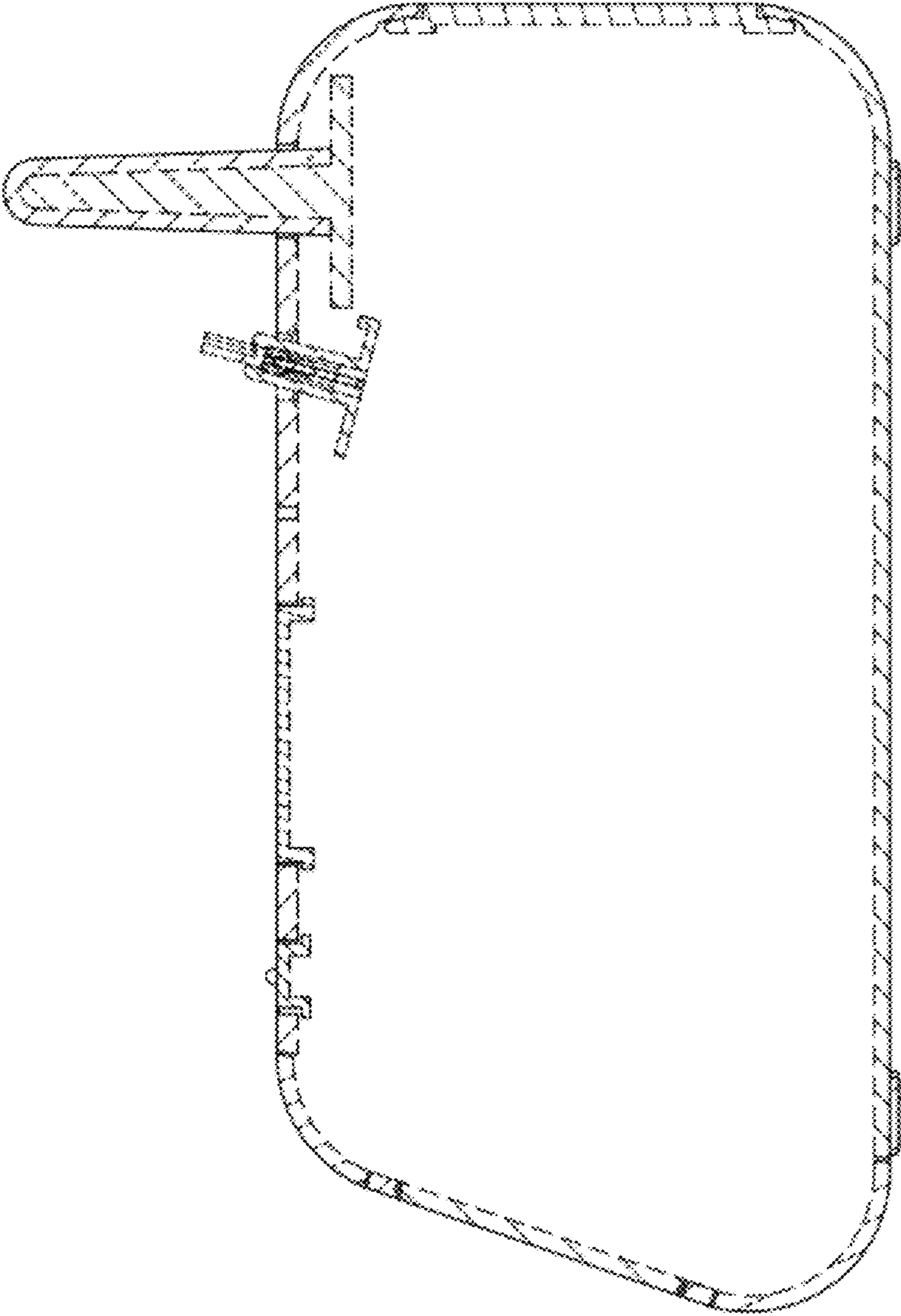


FIG. 7



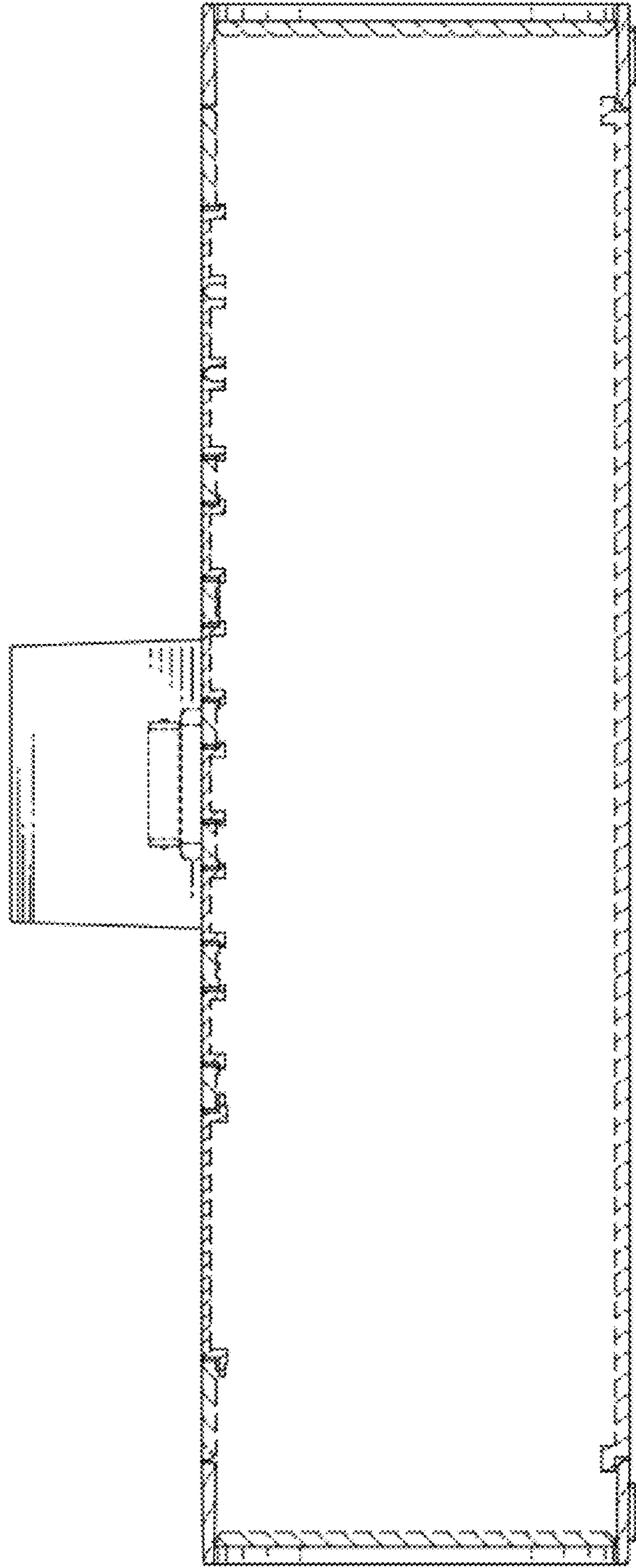


FIG. 8