



US00D658150S

(12) **United States Design Patent**
Miyazaki et al.

(10) **Patent No.:** **US D658,150 S**
(45) **Date of Patent:** **** Apr. 24, 2012**

- (54) **PORTABLE RECORDER**
- (75) Inventors: **Tetsuro Miyazaki**, Tokyo (JP); **Ryo Okura**, Tokyo (JP)
- (73) Assignee: **Sony Corporation**, Tokyo (JP)
- (**) Term: **14 Years**
- (21) Appl. No.: **29/374,709**
- (22) Filed: **Sep. 23, 2011**

Related U.S. Application Data

- (63) Continuation of application No. 29/371,439, filed on Feb. 28, 2011, now Pat. No. Des. 649,524.

Foreign Application Priority Data

- Aug. 27, 2010 (CN) 2010 3 0508563
- Sep. 2, 2010 (JP) D2010-021282
- Dec. 24, 2010 (CN) 2010 3 0703517
- Dec. 24, 2010 (CN) 2010 3 0703518
- Dec. 24, 2010 (JP) D2010-030759

- (51) **LOC (9) Cl.** **14-01**
- (52) **U.S. Cl.** **D14/167**
- (58) **Field of Classification Search** D14/167, D14/154, 168, 188, 496, 156, 160, 161, 162, D14/163, 164, 165, 158, 203.1, 341, 346, D14/342, 345, 225, 226, 228, 227, 214, 247, D14/203.7; 455/351, 350; D19/60, 62; D21/330; 369/44.14, 44.32; 700/94
See application file for complete search history.

References Cited

U.S. PATENT DOCUMENTS

- D256,951 S * 9/1980 Allen D24/134
- D257,346 S * 10/1980 Garrigus et al. D14/228
- D265,647 S * 8/1982 Liautaud D14/225
- D278,625 S * 4/1985 Mathiasen D14/228

- D418,513 S 1/2000 Suzuki et al.
- D474,490 S 5/2003 Ogasawara
- D486,466 S 2/2004 Tanaka
- D489,057 S 4/2004 Obata et al.
- D542,262 S 5/2007 Oka
- D554,628 S 11/2007 Aoki
- D567,798 S 4/2008 Oka
- D567,807 S * 4/2008 Bodley et al. D14/225
- D571,778 S 6/2008 Aoki
- D578,994 S 10/2008 Oka
- D581,898 S 12/2008 Oka
- D584,721 S * 1/2009 Okazaki et al. D14/228
- D596,167 S * 7/2009 Fleischer et al. D14/228
- D601,120 S 9/2009 Aoki
- D604,720 S 11/2009 Liu
- D611,925 S 3/2010 Miyazaki
- D623,172 S 9/2010 Kondo et al.

FOREIGN PATENT DOCUMENTS

JP D1307512 S 8/2007

(Continued)

Primary Examiner — Austin Murphy
(74) *Attorney, Agent, or Firm* — Rader, Fishman & Grauer PLLC

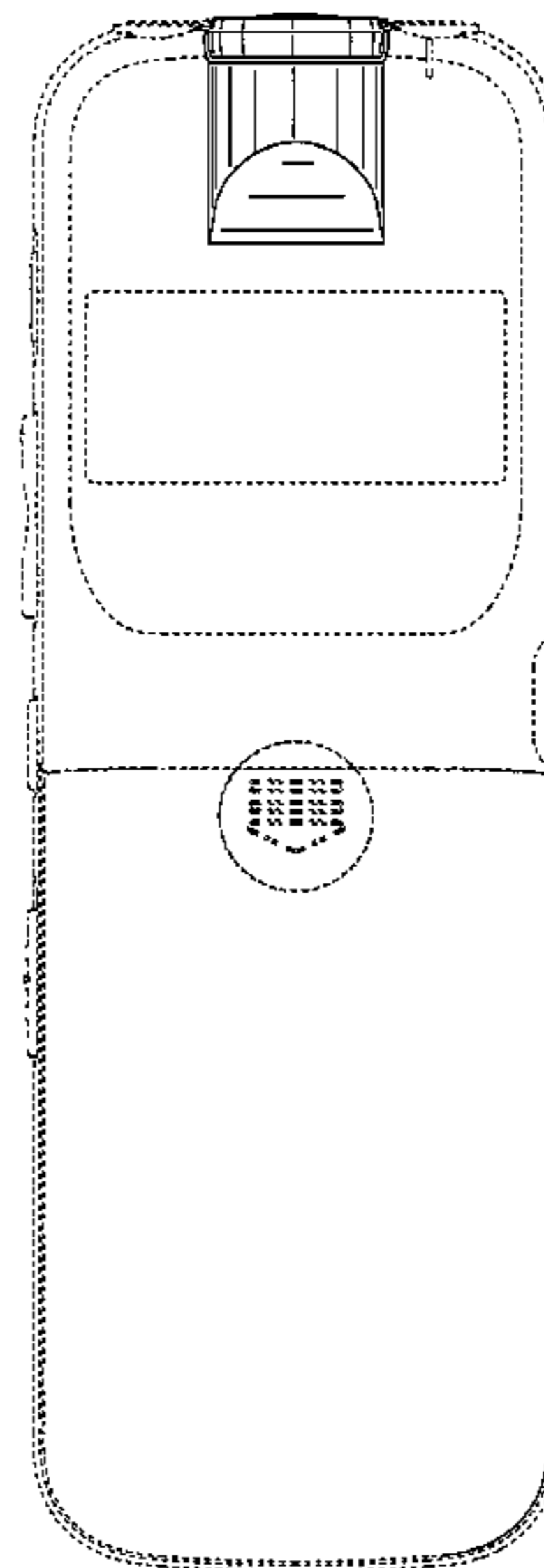
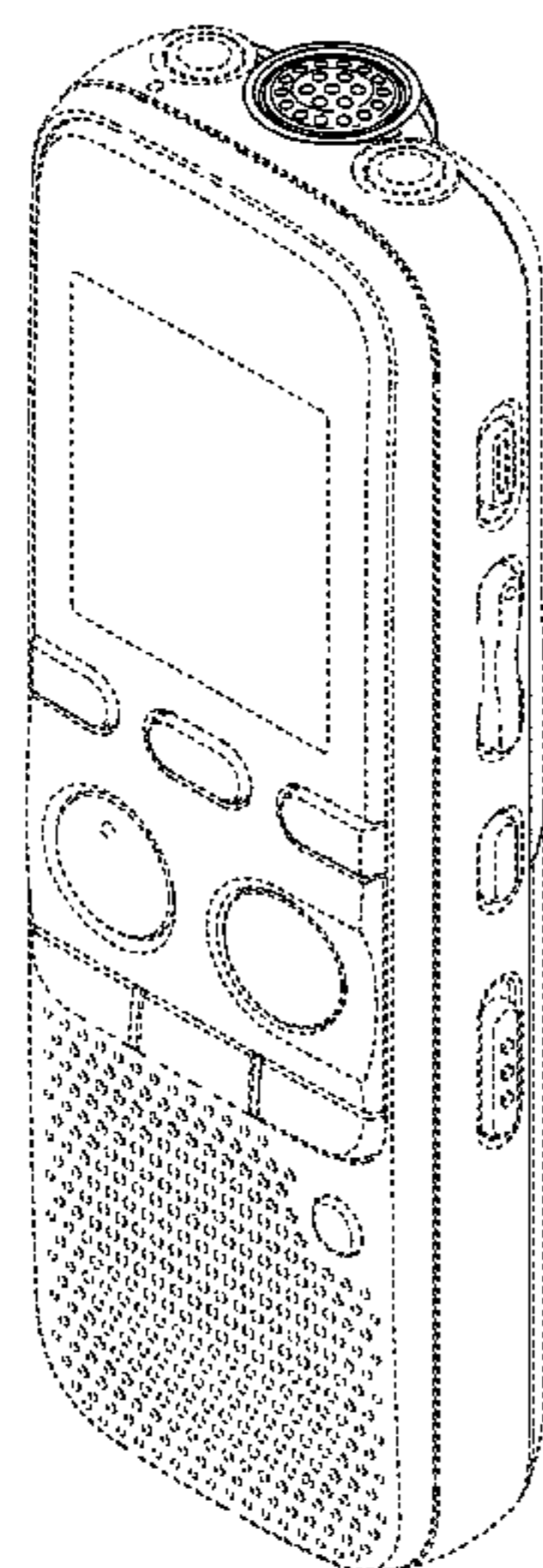
CLAIM

(57) The ornamental design for a portable recorder, as shown and described.

DESCRIPTION

FIG. 1 is a perspective view of a portable recorder showing our new design;
FIG. 2 is a front elevational view thereof;
FIG. 3 is a rear elevational view thereof;
FIG. 4 is a left side elevational view thereof;
FIG. 5 is a right side elevational view thereof; and,
FIG. 6 is a top plan view thereof.
Portions in broken lines are for illustrative purposes only and form no part of claimed design. Dot-dash broken lines define the boundaries of, but not included in, the claimed design.

1 Claim, 5 Drawing Sheets



US D658,150 S

Page 2

FOREIGN PATENT DOCUMENTS					
JP	D1318721 S	1/2008	JP	D1375553 S	12/2009
JP	D1328924 S	5/2008	JP	D1375599 S	12/2009
JP	D1340062 S	9/2008	JP	D1390071 S	6/2010
			* cited by examiner		

FIG.1

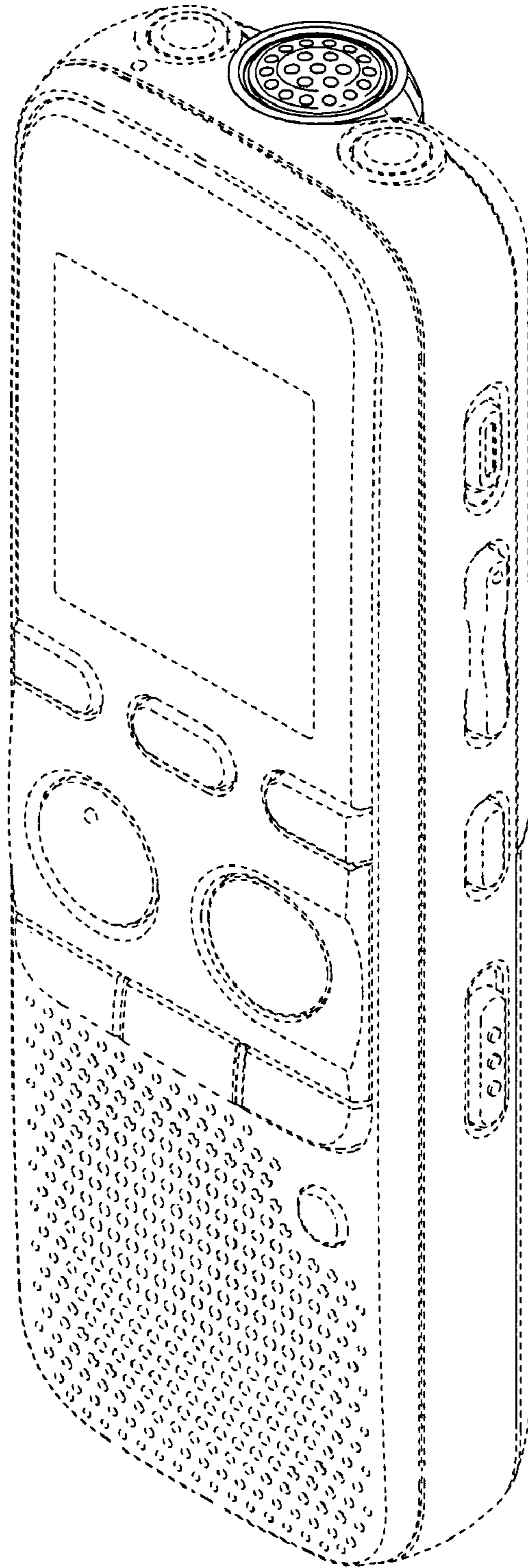


FIG.2

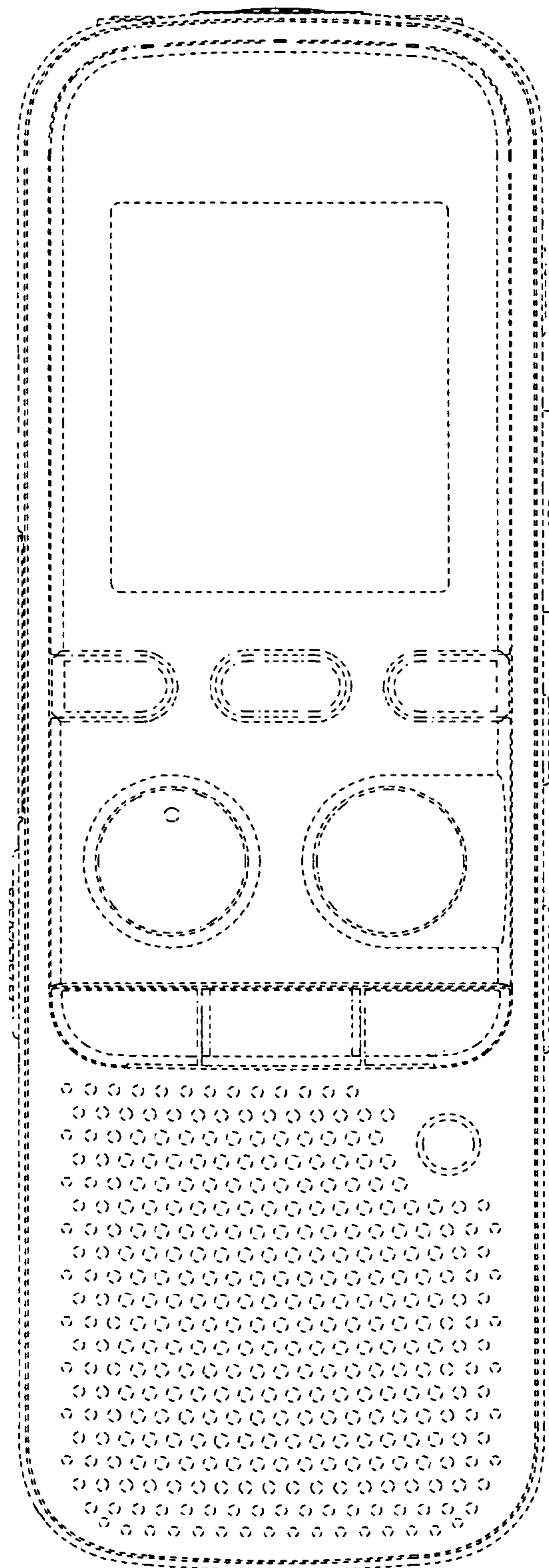


FIG.3

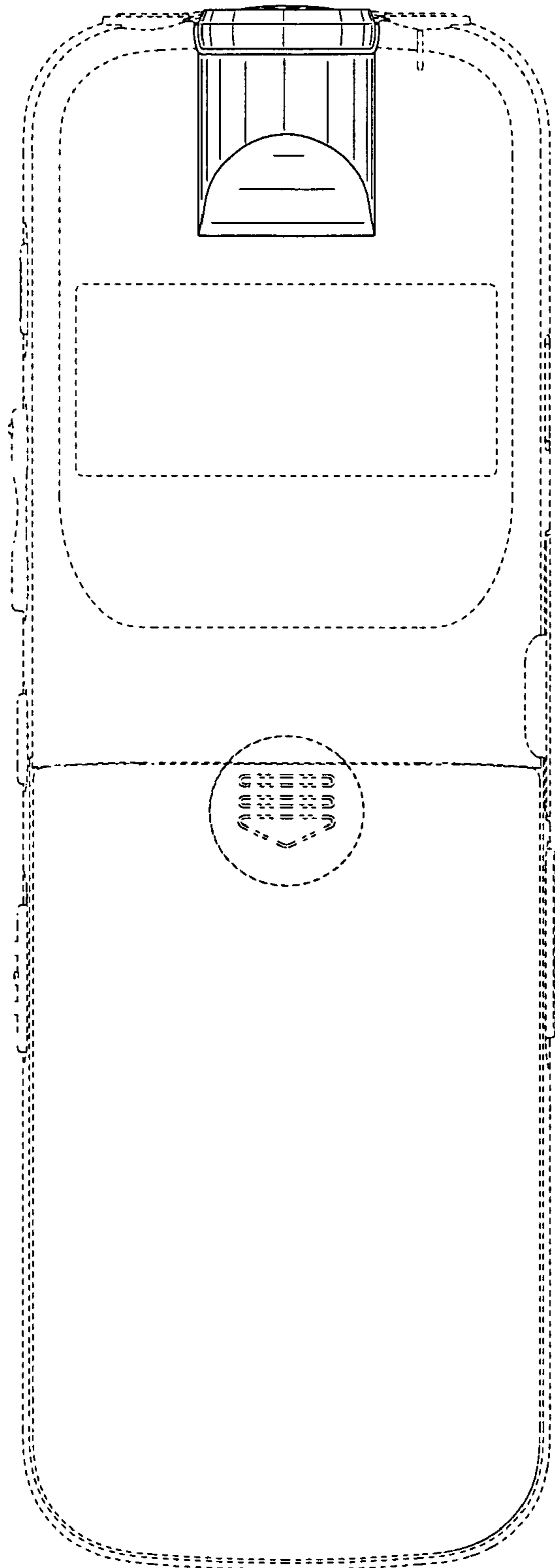


FIG.4

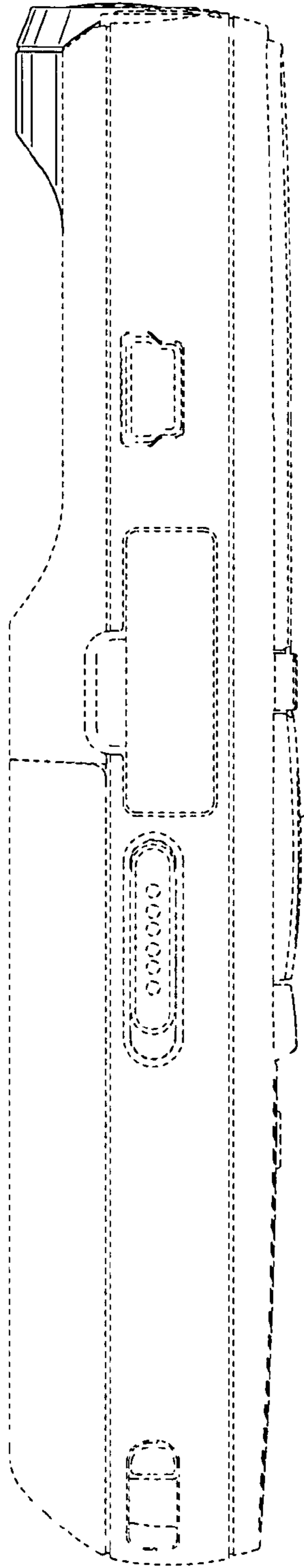


FIG.5

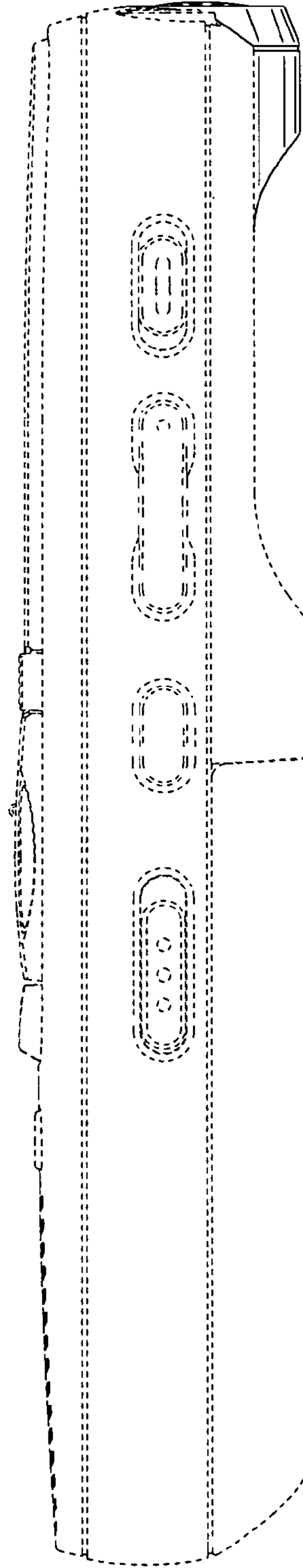


FIG.6

