



US00D658146S

(12) **United States Design Patent**
Kim et al.

(10) **Patent No.:** **US D658,146 S**

(45) **Date of Patent:** **** Apr. 24, 2012**

(54) **MOBILE PHONE**

(75) Inventors: **Kuk-Hwan Kim**, Seoul (KR); **Nam-Mi Kim**, Seoul (KR); **Seog-Guen Kim**, Seoul (KR)

(73) Assignee: **Samsung Electronics Co., Ltd.**, Suwon-Si (KR)

(**) Term: **14 Years**

(21) Appl. No.: **29/389,179**

(22) Filed: **Apr. 7, 2011**

(30) **Foreign Application Priority Data**

Dec. 29, 2010 (KR) 30-2010-0056515

(51) **LOC (9) Cl.** **14-03**

(52) **U.S. Cl.** **D14/138 AD**

(58) **Field of Classification Search** D14/138 AD, D14/138 G, 138 R, 138 AC, 138 C, 496, D14/341, 345, 346, 203.7, 247, 248, 218, D14/138 AA, 138 AB; 455/575.1, 556.2, 455/556.1, 575.4, 566; D10/65; D13/168

See application file for complete search history.

(56) **References Cited**

U.S. PATENT DOCUMENTS

D528,533 S * 9/2006 Lee et al. D14/138 AD
D534,144 S * 12/2006 Chung et al. D14/138 AD
D545,292 S * 6/2007 Lee et al. D14/138 AD
D549,206 S * 8/2007 Lee et al. D14/138 AD
D553,114 S * 10/2007 Baik et al. D14/138 AD
D555,139 S * 11/2007 Kim et al. D14/138 AD
D558,176 S * 12/2007 Lee et al. D14/138 AD
D560,190 S * 1/2008 Lee et al. D14/138 AD
D560,191 S * 1/2008 Choi et al. D14/138 AD
D560,199 S * 1/2008 Lee et al. D14/138 AD

D561,512 S * 2/2008 Park et al. D14/138 AD
D561,725 S * 2/2008 Kim et al. D14/138 AD
D562,291 S * 2/2008 Bang et al. D14/138 AD
D563,934 S * 3/2008 Jung et al. D14/138 AD
D565,011 S * 3/2008 Lee et al. D14/138 AD
D571,341 S * 6/2008 Chung et al. D14/138 AD
D576,595 S * 9/2008 Han et al. D14/138 AD
D576,986 S * 9/2008 Kim et al. D14/138 AD
D578,095 S * 10/2008 Chung et al. D14/138 AD
D581,386 S * 11/2008 Oh et al. D14/138 AD

(Continued)

OTHER PUBLICATIONS

Samsung i520 telephone, announced Feb. 2007, [online], [site visited Sep. 20, 2011]. Available from Internet, <URL: <http://www.gsmarena.com>>.*

(Continued)

Primary Examiner — Jeffrey D Asch

(74) *Attorney, Agent, or Firm* — Staas & Halsey LLP

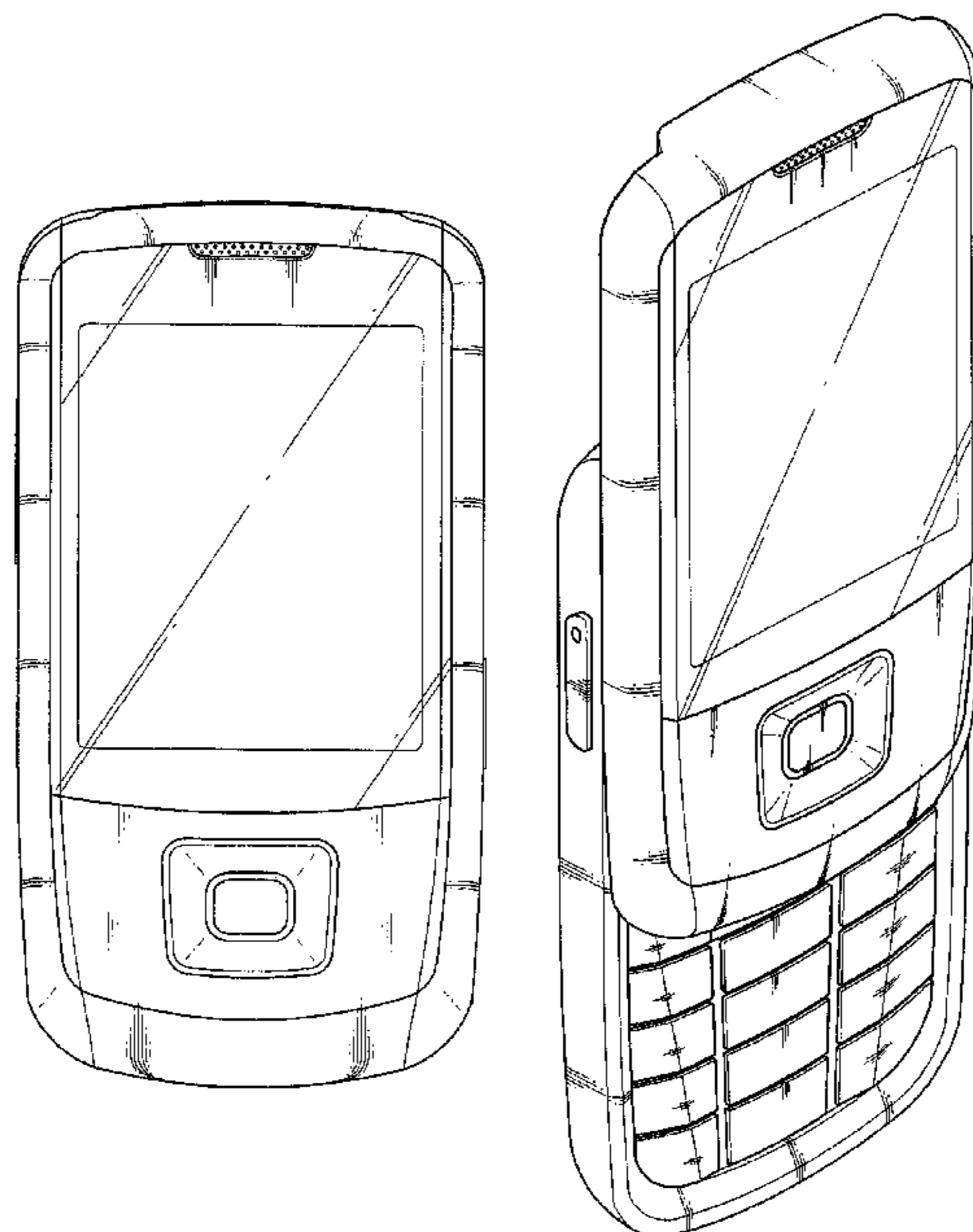
(57) **CLAIM**

The ornamental design for a mobile phone, as shown and described.

DESCRIPTION

FIG. 1 is a front perspective view of a mobile phone; FIG. 2 is a front view of the mobile phone of FIG. 1; FIG. 3 is a rear view of the mobile phone of FIG. 1; FIG. 4 is a left-side view of the mobile phone of FIG. 1; FIG. 5 is a right-side view of the mobile phone of FIG. 1; FIG. 6 is a top plan view of the mobile phone of FIG. 1; FIG. 7 is a bottom plan view of the mobile phone of FIG. 1; and, FIG. 8 is an open front perspective view of the mobile phone of FIG. 1.

1 Claim, 8 Drawing Sheets



U.S. PATENT DOCUMENTS

D590,800	S	*	4/2009	Liu	D14/138	AD
D591,714	S	*	5/2009	Kim et al.	D14/138	AD
D596,152	S	*	7/2009	Hong et al.	D14/138	AD
D599,320	S	*	9/2009	Sterzick et al.	D14/138	AD
D601,111	S	*	9/2009	Sterzick et al.	D14/138	AD
D608,330	S	*	1/2010	Jeoung et al.	D14/138	AD
D611,026	S	*	3/2010	Kim et al.	D14/138	AD
D618,654	S	*	6/2010	Lee et al.	D14/138	AD
D635,948	S	*	4/2011	Choi	D14/138	AD
7,953,464	B2	*	5/2011	Park et al.	455/575.4	

OTHER PUBLICATIONS

Samsung E840 telephone, announced Feb. 2007, [online], [site visited Sep. 20, 2011]. Available from Internet, <URL: <http://www.gsmarena.com>>.*

Samsung E900 telephone, announced Mar. 2006, [online], [site visited Sep. 20, 2011]. Available from Internet, <URL: <http://www.gsmarena.com>>.*

LG KE500 telephone, announced Jul. 2007, [online], [site visited Sep. 20, 2011]. Available from Internet, <URL: <http://www.gsmarena.com>>.*

LG GU200 telephone, announced 2010, [online], [site visited Sep. 20, 2011]. Available from Internet, <URL: <http://www.gsmarena.com>>.*

Nokia 2220 slide telephone, announced Nov. 2009, [online], [site visited Sep. 20, 2011]. Available from Internet, <URL: <http://www.gsmarena.com>>.*

Philips X510 telephone, announced Apr. 2010, [online], [site visited Sep. 20, 2011]. Available from Internet, <URL: <http://www.gsmarena.com>>.*

Sagem my721Z telephone, announced Feb. 2008, [online], [site visited Sep. 20, 2011]. Available from Internet, <URL: <http://www.gsmarena.com>>.*

* cited by examiner

FIG. 1

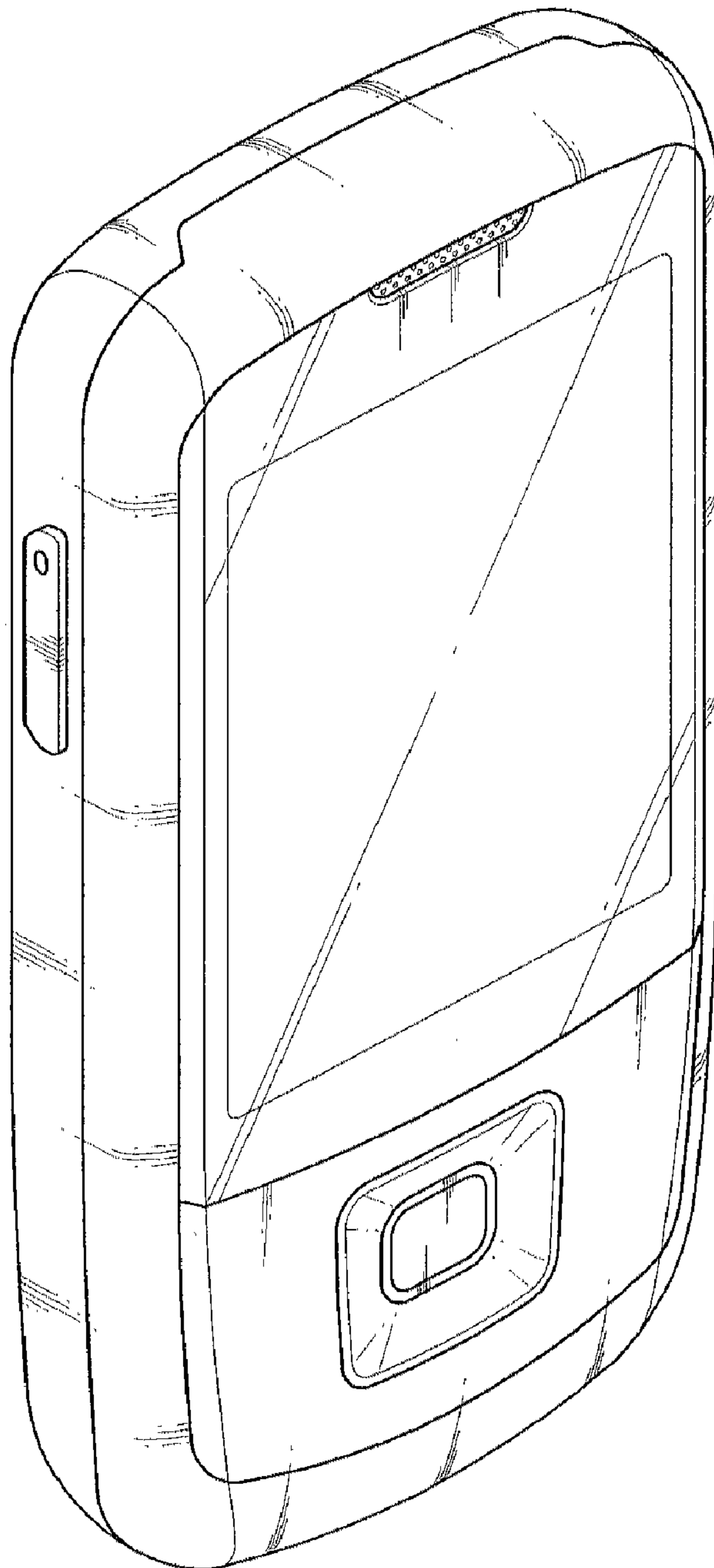


FIG. 2

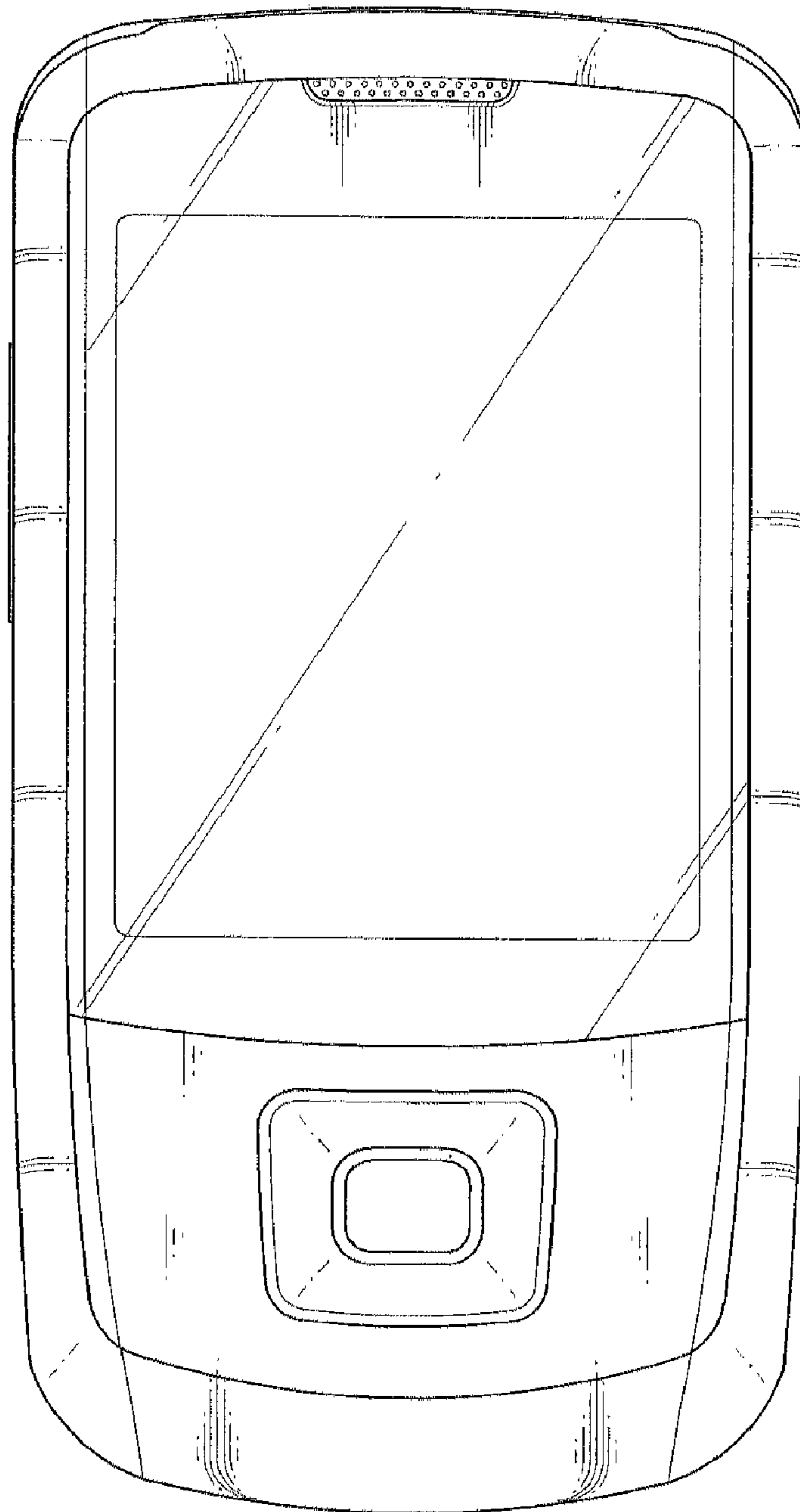


FIG. 3

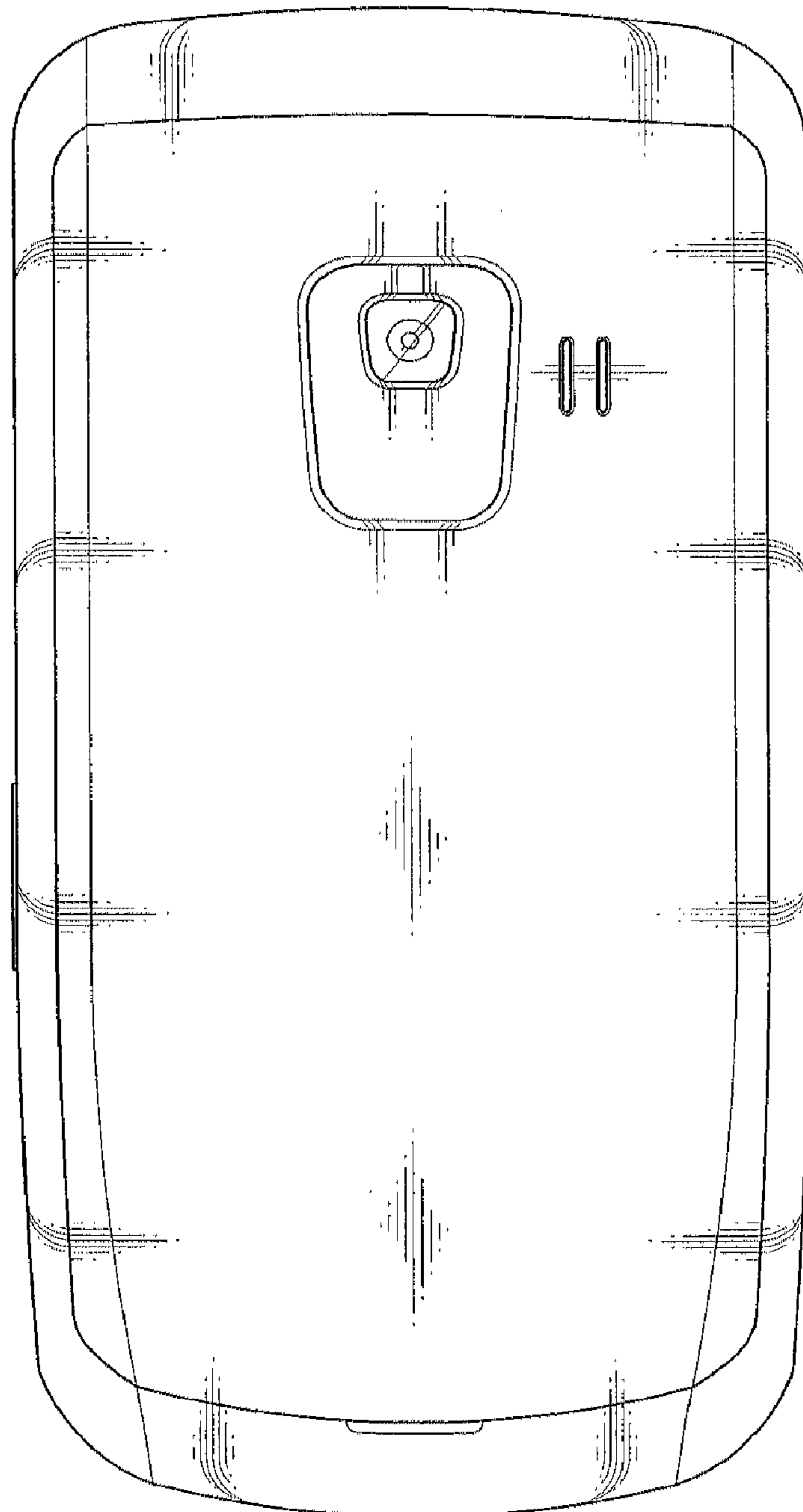


FIG. 4

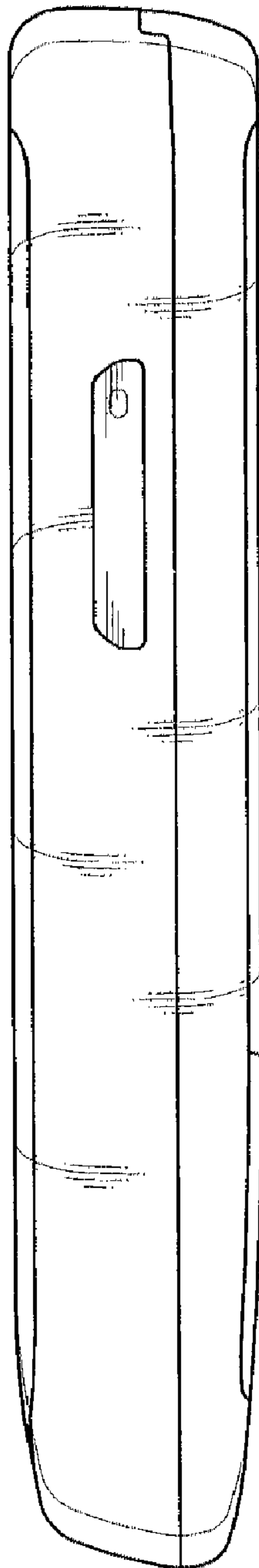


FIG. 5

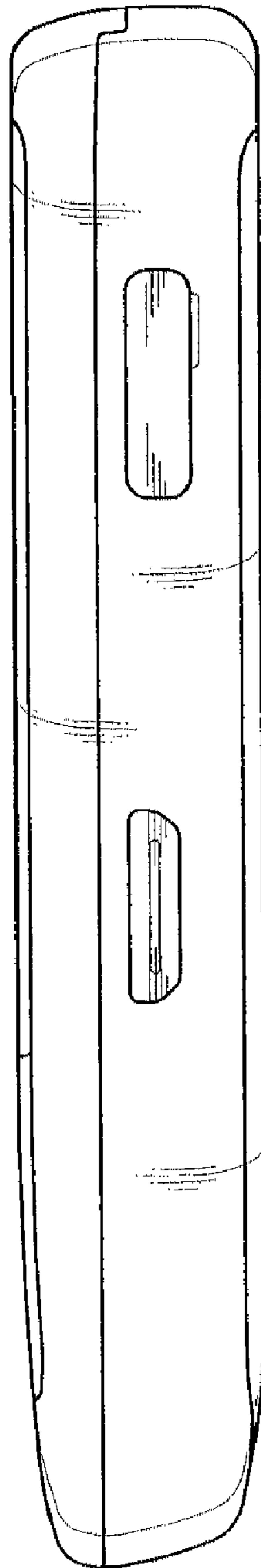


FIG. 6

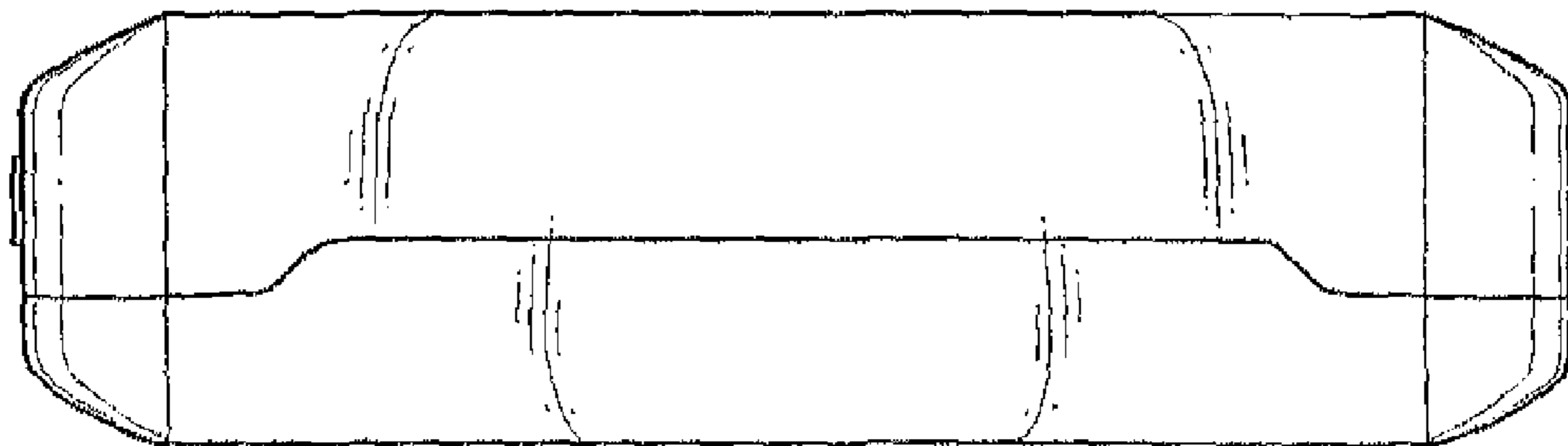


FIG. 7

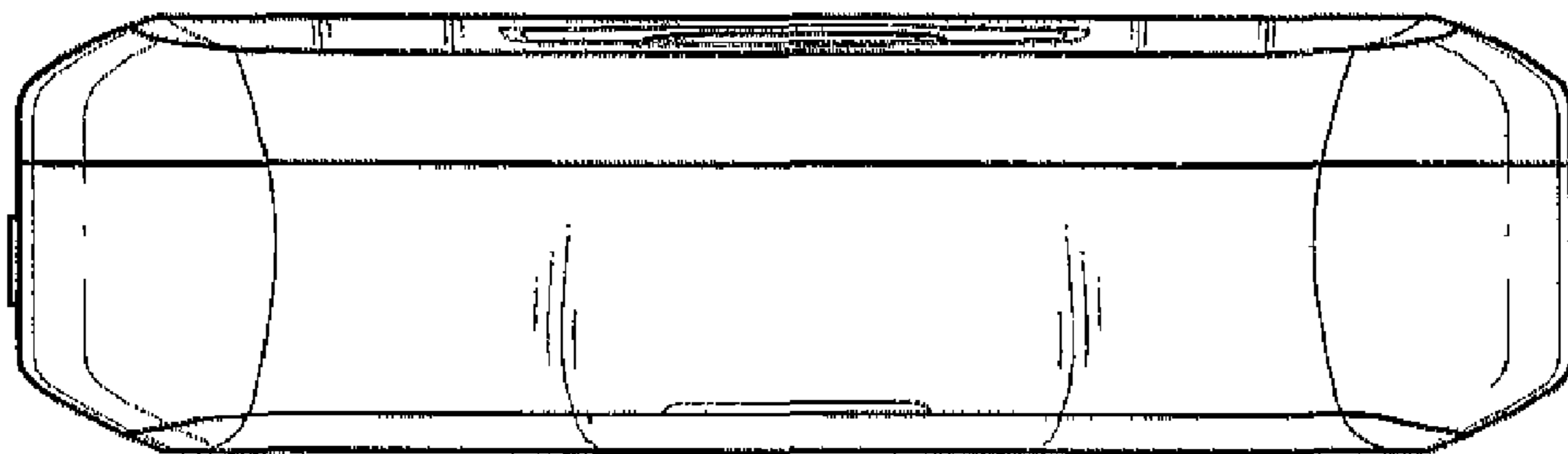
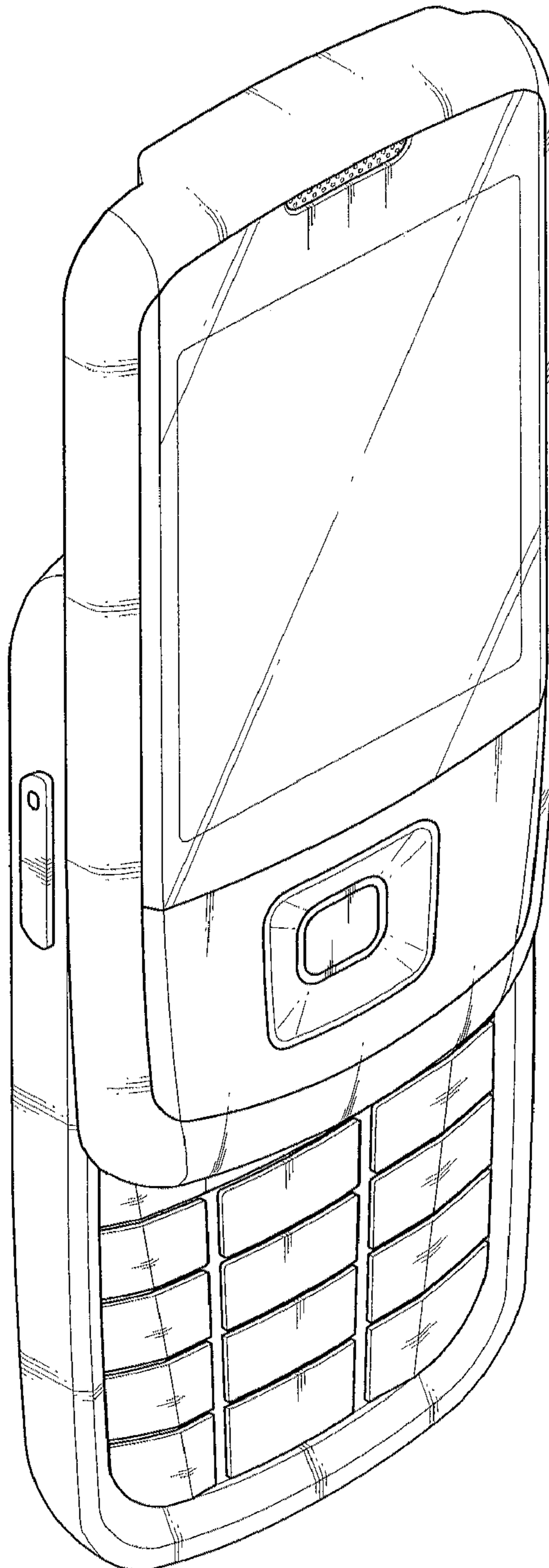


FIG. 8



UNITED STATES PATENT AND TRADEMARK OFFICE
CERTIFICATE OF CORRECTION

PATENT NO. : D658,146 S
APPLICATION NO. : 29/389179
DATED : April 24, 2012
INVENTOR(S) : Kuk-Hwan Kim et al.

Page 1 of 1

It is certified that error appears in the above-identified patent and that said Letters Patent is hereby corrected as shown below:

Title Page

Insert --(*) Notice: This patent is subject to a terminal disclaimer.--

Signed and Sealed this
Second Day of October, 2012

A handwritten signature in black ink that reads "David J. Kappos". The signature is written in a cursive, slightly slanted style.

David J. Kappos
Director of the United States Patent and Trademark Office