



US00D658140S

(12) **United States Design Patent**
Hwangbo et al.

(10) **Patent No.:** **US D658,140 S**

(45) **Date of Patent:** **** Apr. 24, 2012**

(54) **TELEVISION RECEIVER**

(56) **References Cited**

(75) Inventors: **Deung Hwangbo**, Seoul (KR); **Minji Seo**, Gyeonggi-do (KR); **Junki Kim**, Seoul (KR); **Youngyoung Kim**, Seoul (KR); **Misun Park**, Seoul (KR)

U.S. PATENT DOCUMENTS

D548,206 S *	8/2007	Han	D14/126
D562,788 S *	2/2008	Asanuma et al.	D14/126
D570,313 S *	6/2008	Shih et al.	D14/126
D581,378 S *	11/2008	Chiu	D14/126
D609,659 S *	2/2010	VanDuyn	D14/126
D629,371 S *	12/2010	Lim et al.	D14/126
D637,573 S *	5/2011	Lee et al.	D14/126
D639,256 S *	6/2011	Lee et al.	D14/126
D653,636 S *	2/2012	Lee et al.	D14/126

(73) Assignee: **LG Electronics Inc.**, Seoul (KR)

(**) Term: **14 Years**

* cited by examiner

(21) Appl. No.: **29/407,111**

Primary Examiner — Raphael Barkai

(22) Filed: **Nov. 23, 2011**

(74) *Attorney, Agent, or Firm* — Morgan, Lewis & Bockius LLP

(30) **Foreign Application Priority Data**

May 27, 2011 (KR) 30-2011-0021755

(57) **CLAIM**

(51) **LOC (9) Cl.** **14-03**

The ornamental design for a television receiver, as shown and described.

(52) **U.S. Cl.** **D14/126**

DESCRIPTION

(58) **Field of Classification Search** D14/125-134, D14/239, 371, 136, 374-377, 440, 450, 448, D14/336, 342; 312/7.2; 348/836, 838, 180, 348/184, 325, 739; 341/12; 248/917-924, 248/465; 345/104, 133, 156, 168, 87, 173; 720/605, 669, 600, 655; 369/99, 197; 455/344, 455/347; D21/329, 515, 577, 622, 333, 433, D21/448, 452, 450, 331; D6/477, 479, 300; 273/148 B; 446/484, 175, 356; D10/15, D10/26

FIG. 1 is a perspective view of a television receiver showing our new design;
FIG. 2 is a front view thereof;
FIG. 3 is a rear view thereof;
FIG. 4 is a left side view thereof;
FIG. 5 is a right side view thereof;
FIG. 6 is a top plan view thereof; and,
FIG. 7 is a bottom plan view thereof.

See application file for complete search history.

1 Claim, 7 Drawing Sheets

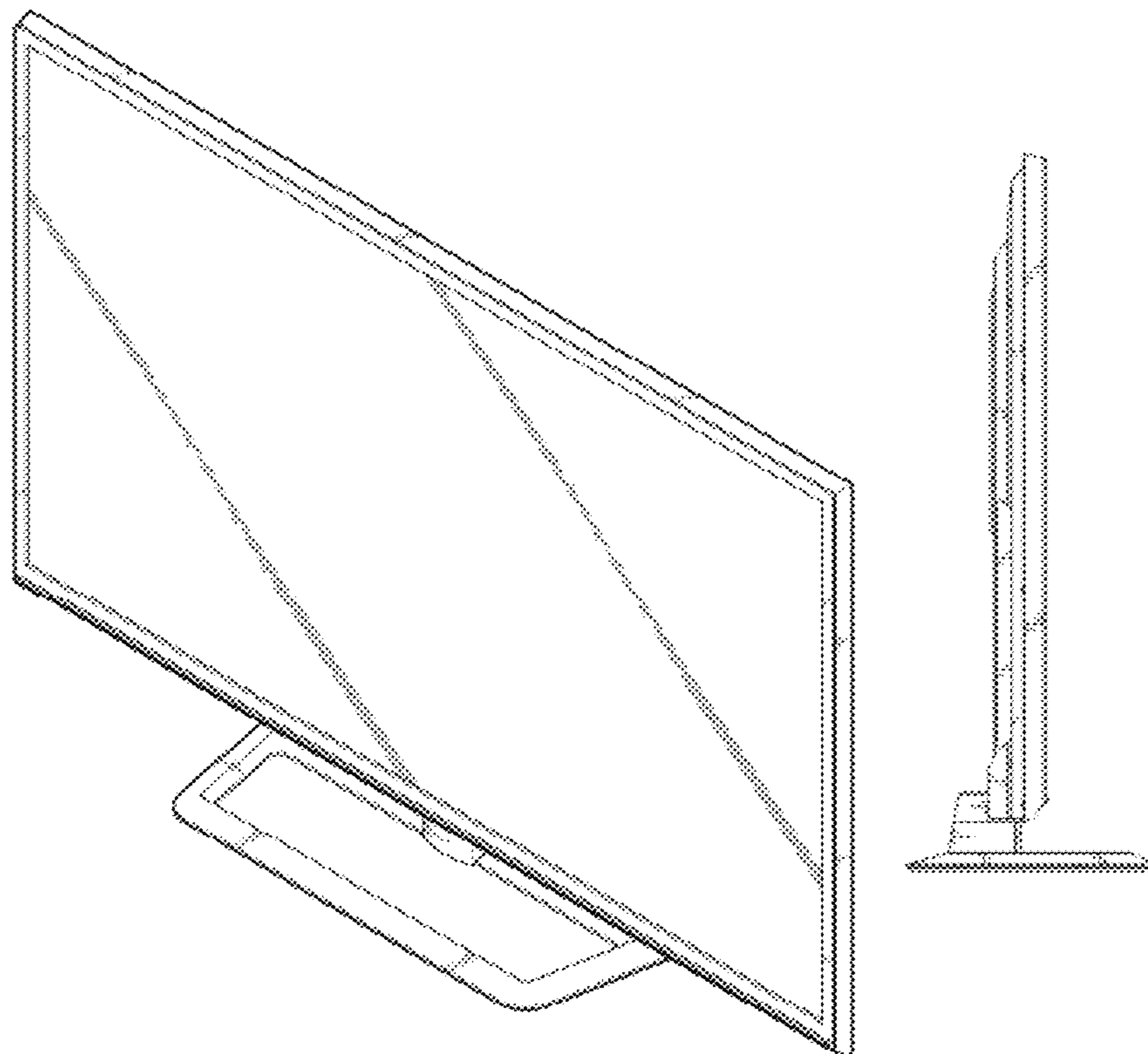


FIG. 1

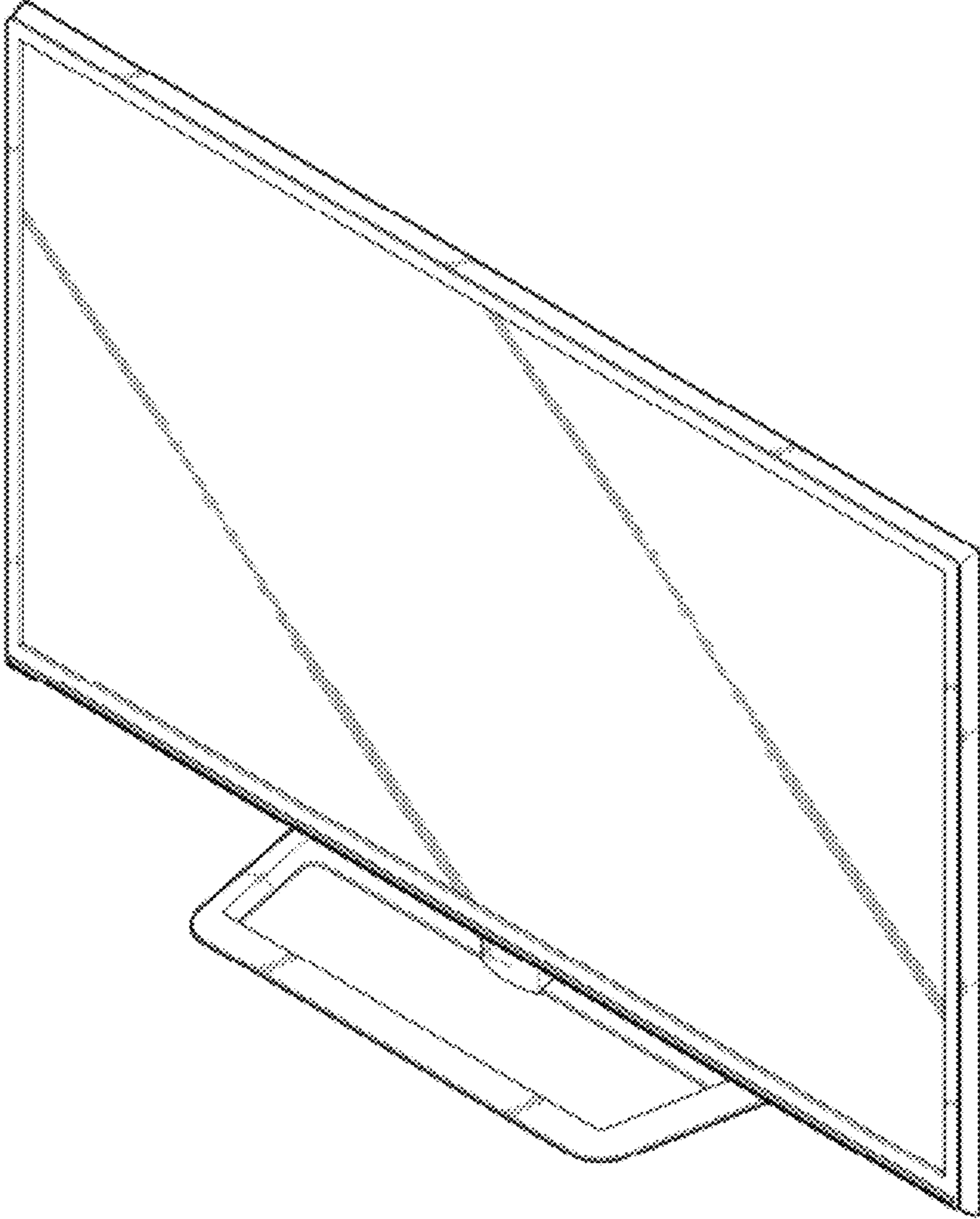


FIG. 2

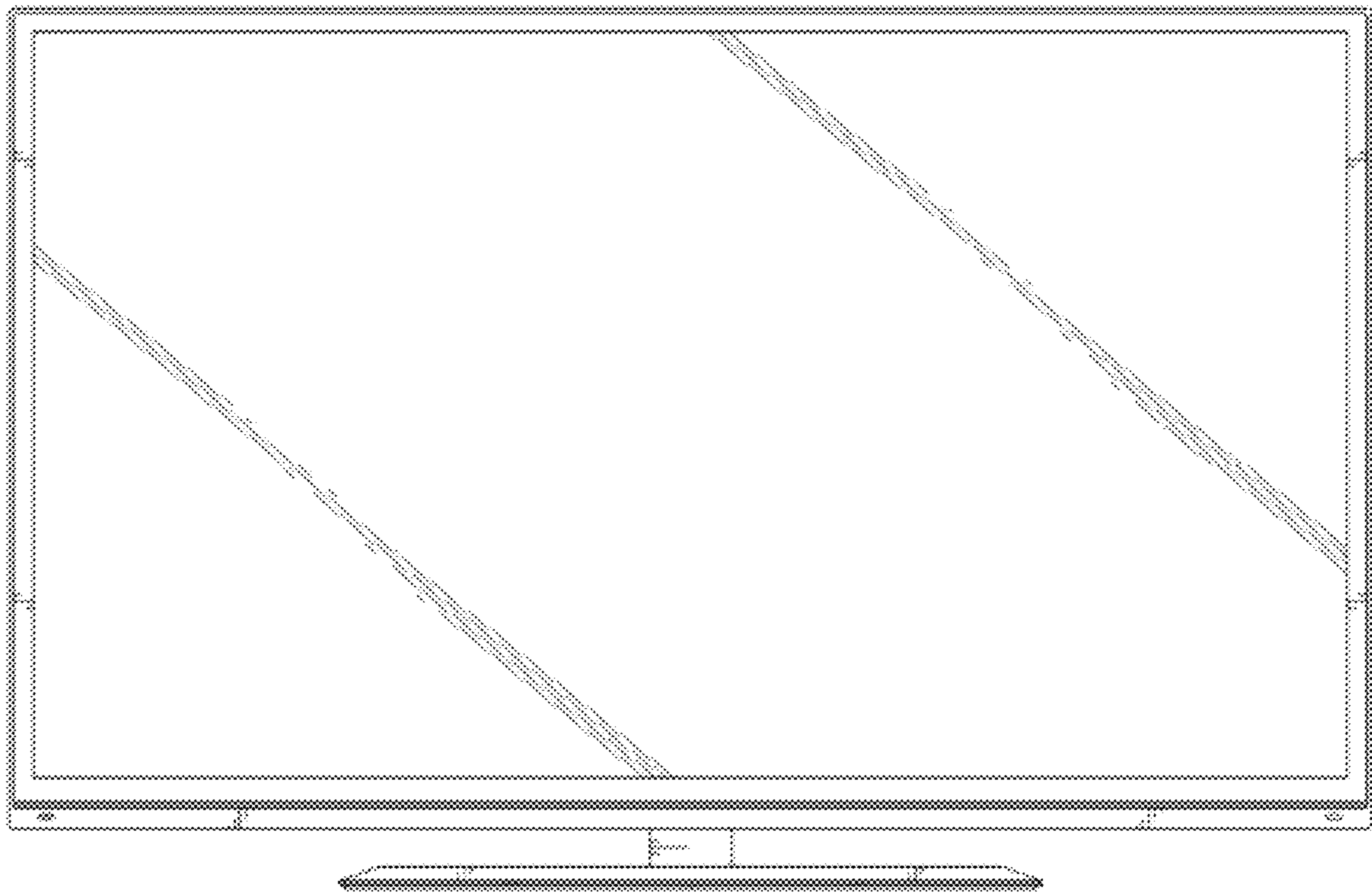


FIG. 3

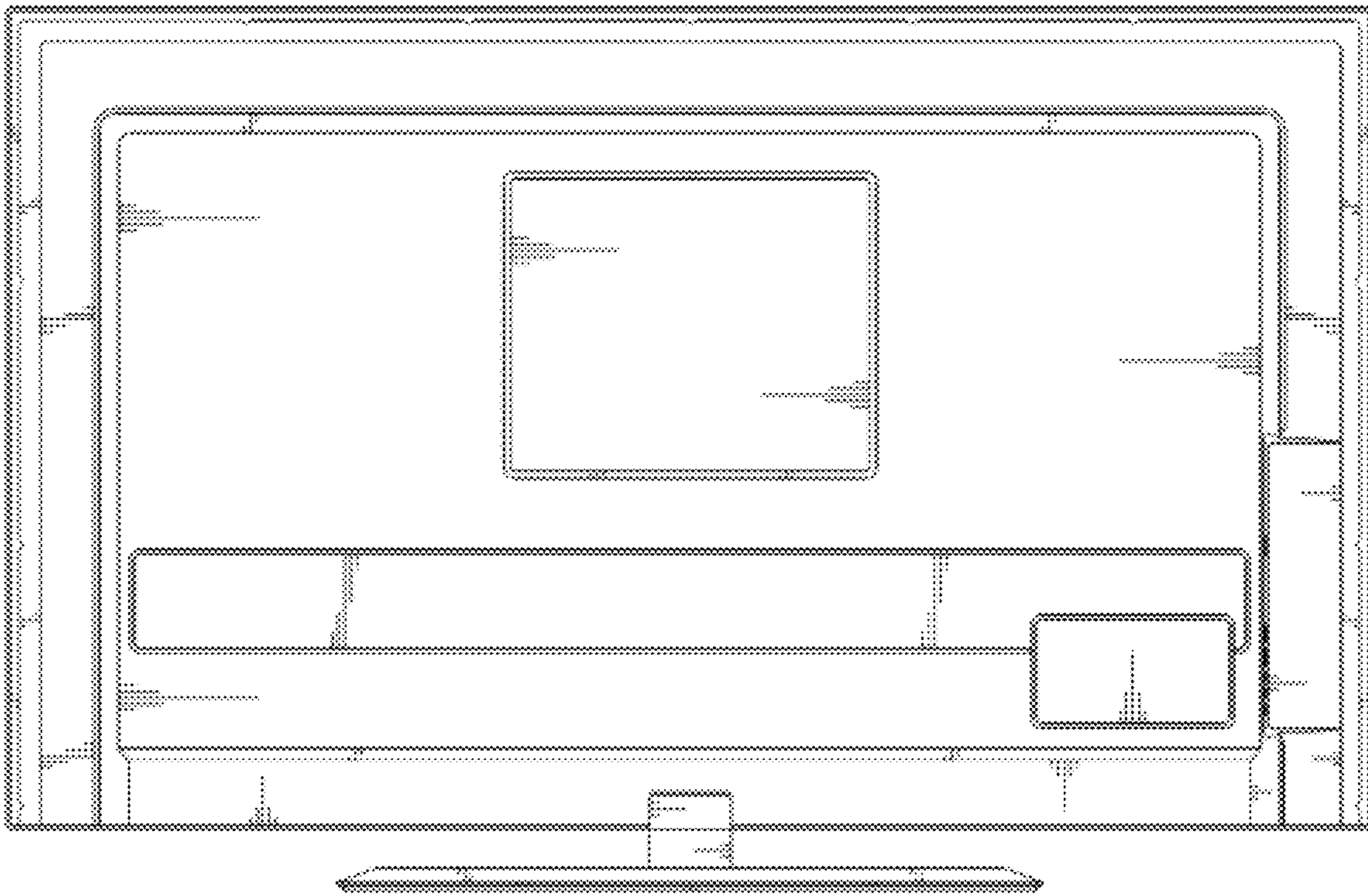


FIG. 4

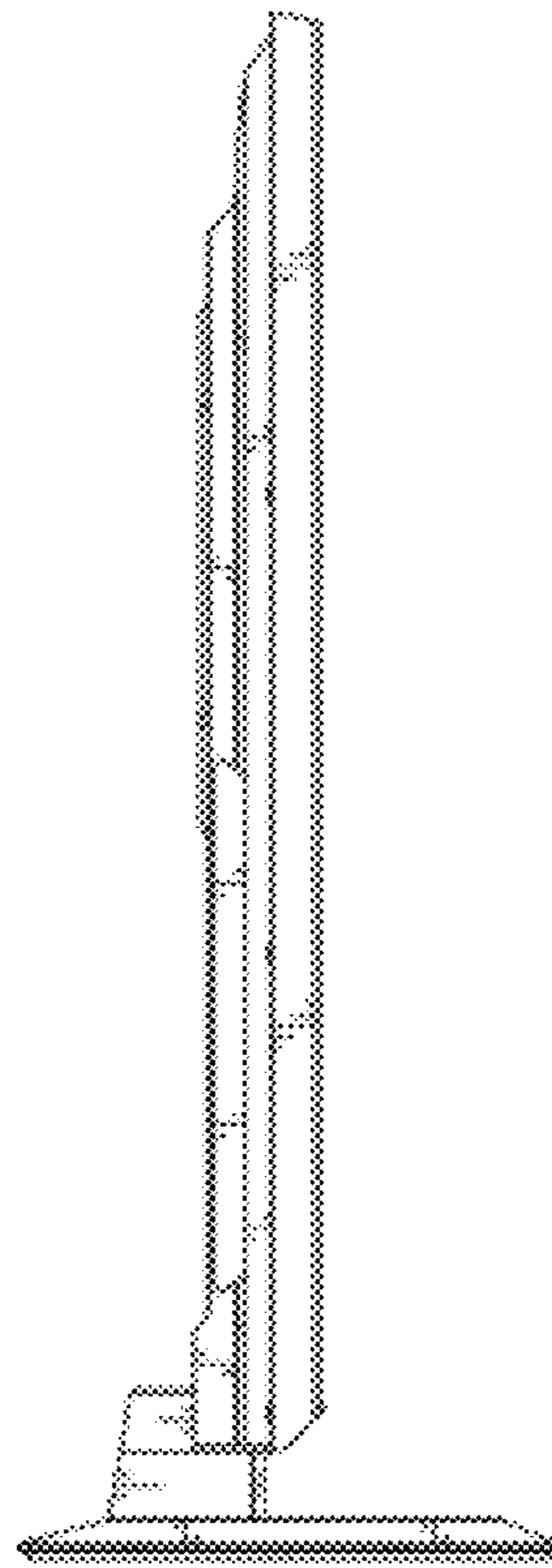


FIG. 5

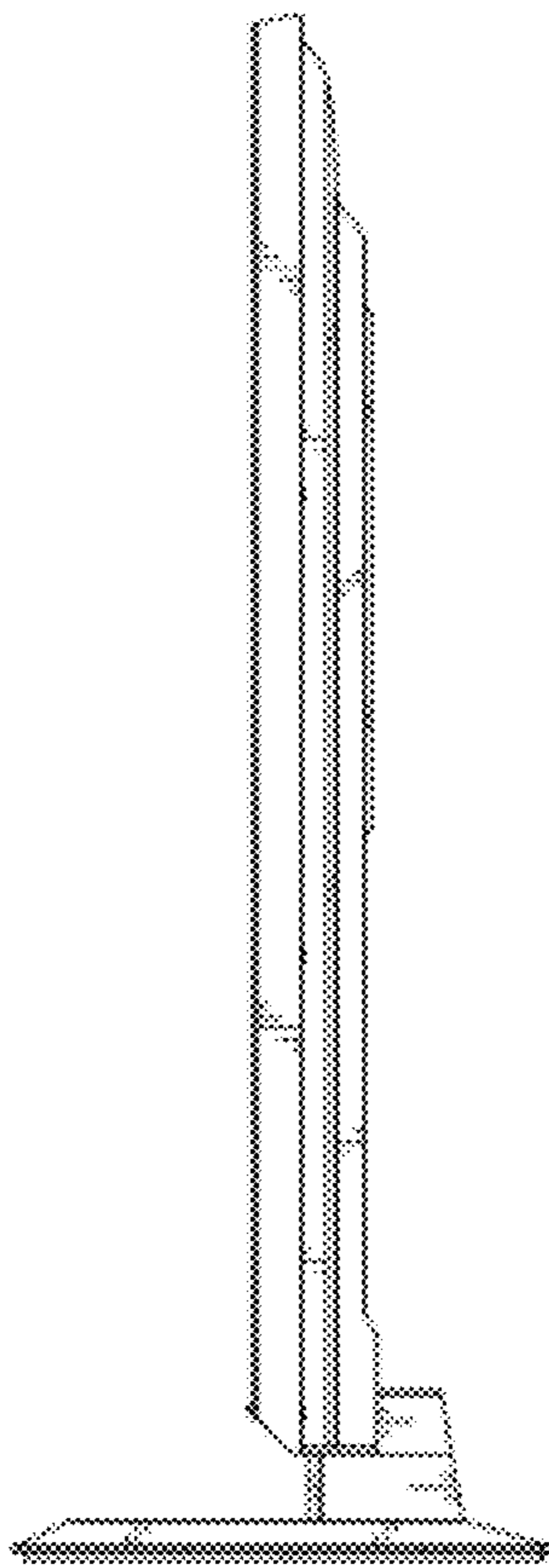


FIG. 6

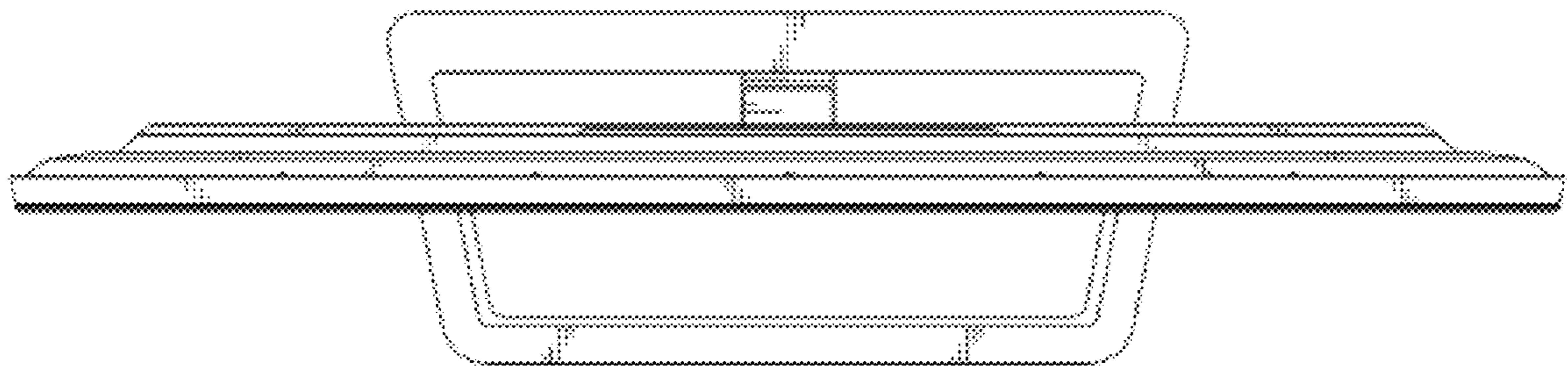


FIG. 7

