



US00D658139S

(12) **United States Design Patent**
Andrews et al.

(10) **Patent No.:** **US D658,139 S**

(45) **Date of Patent:** **** Apr. 24, 2012**

(54) **HIGH-DENSITY EMITTER PACKAGE**

(74) *Attorney, Agent, or Firm* — Steven B. Phillips; Moore & Van Allen PLLC

(75) Inventors: **Peter Scott Andrews**, Durham, NC (US); **Raymond Rosado**, Apex, NC (US); **Michael P. Laughner**, Cary, NC (US); **David T. Emerson**, Chapel Hill, NC (US); **Amber C. Abare**, Durham, NC (US); **Jeffrey C. Britt**, Cary, NC (US)

(57) **CLAIM**

We claim the ornamental design for a high-density emitter package, as shown and described.

(73) Assignee: **Cree, Inc.**, Durham, NC (US)

DESCRIPTION

(**) Term: **14 Years**

FIG. 1 is a top perspective view showing an embodiment of our design for a high-density emitter package.

(21) Appl. No.: **29/384,360**

FIG. 2 is a top view of the embodiment of our design shown in FIG. 1.

(22) Filed: **Jan. 31, 2011**

FIG. 3 is a side view of the embodiment of our design shown in FIG. 1.

(51) **LOC (9) Cl.** **13-03**

FIG. 4 is another side view of the embodiment of our design as shown in FIG. 1.

(52) **U.S. Cl.** **D13/180**

FIG. 5 is a bottom perspective view of the embodiment of our design shown in FIG. 1.

(58) **Field of Classification Search** D13/180;
D26/1, 2; 257/79, 80, 81, 88, 89, 95, 98,
257/99, 100, E33.058; 313/483, 498, 500;
362/555, 800

FIG. 6 is another side view of the embodiment of our design as shown in FIG. 1.

See application file for complete search history.

FIG. 7 is another side view of the embodiment of our design as shown in FIG. 1.

(56) **References Cited**

FIG. 8 is a bottom view of the embodiment of our design as shown in FIG. 1.

U.S. PATENT DOCUMENTS

FIG. 9 is a top perspective view showing an alternate environment thereof;

7,213,940	B1	5/2007	Van De Ven et al.	
D615,504	S	5/2010	Keller et al.	
D631,020	S *	1/2011	Chuang et al.	D13/180
D650,343	S *	12/2011	Andrews et al.	D13/180
2009/0108281	A1 *	4/2009	Keller et al.	257/98
2009/0283787	A1	11/2009	Donofrio et al.	
2010/0140633	A1	6/2010	Emerson	
2010/0140634	A1 *	6/2010	van de Ven et al.	257/88
2010/0252851	A1 *	10/2010	Emerson et al.	257/98
2011/0062482	A1 *	3/2011	Solomensky et al.	257/99
2011/0127912	A1 *	6/2011	Lee et al.	315/32
2011/0248289	A1 *	10/2011	Hsieh et al.	257/88

FIG. 10 is a top view thereof;

FIG. 11 is a side view thereof;

FIG. 12 is another side view thereof;

FIG. 13 is a bottom perspective view thereof;

FIG. 14 is another side view thereof;

FIG. 15 is another side view thereof; and,

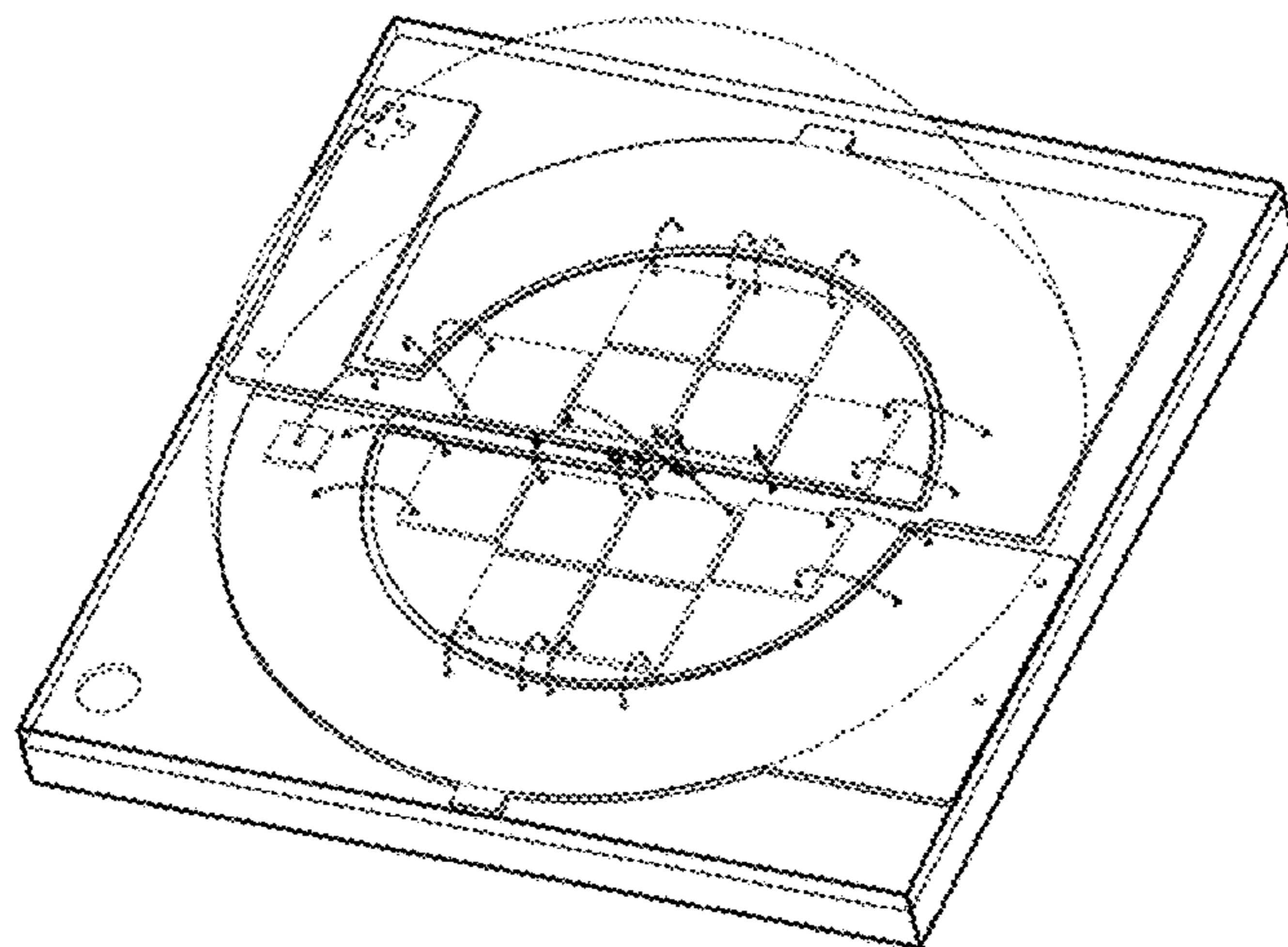
FIG. 16 is a bottom view thereof.

* cited by examiner

The broken lines in the drawing views is for the purpose of illustrating environmental structure and forms no part of the claimed design.

Primary Examiner — Selina Sikder

1 Claim, 16 Drawing Sheets



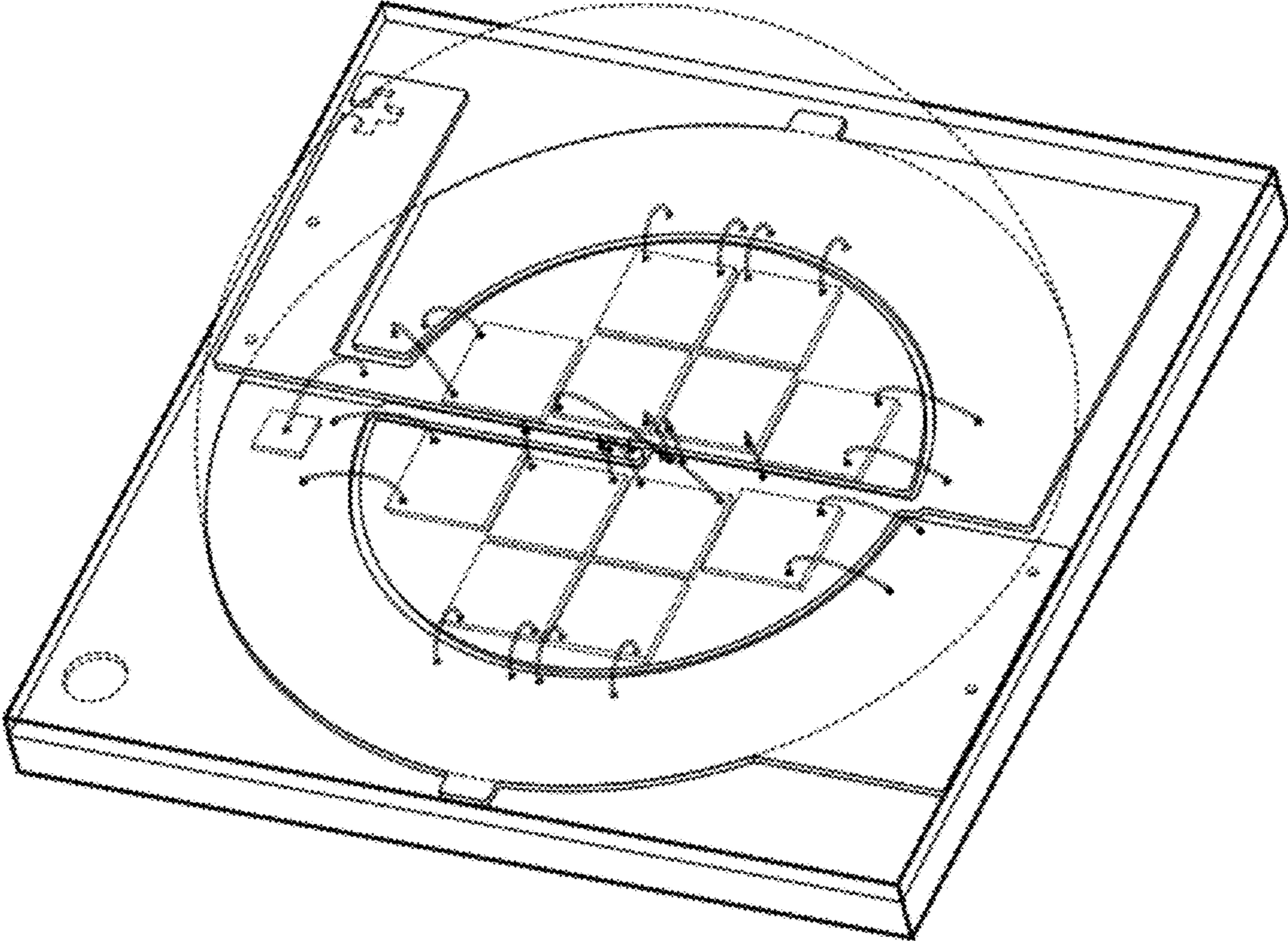


FIG. 1

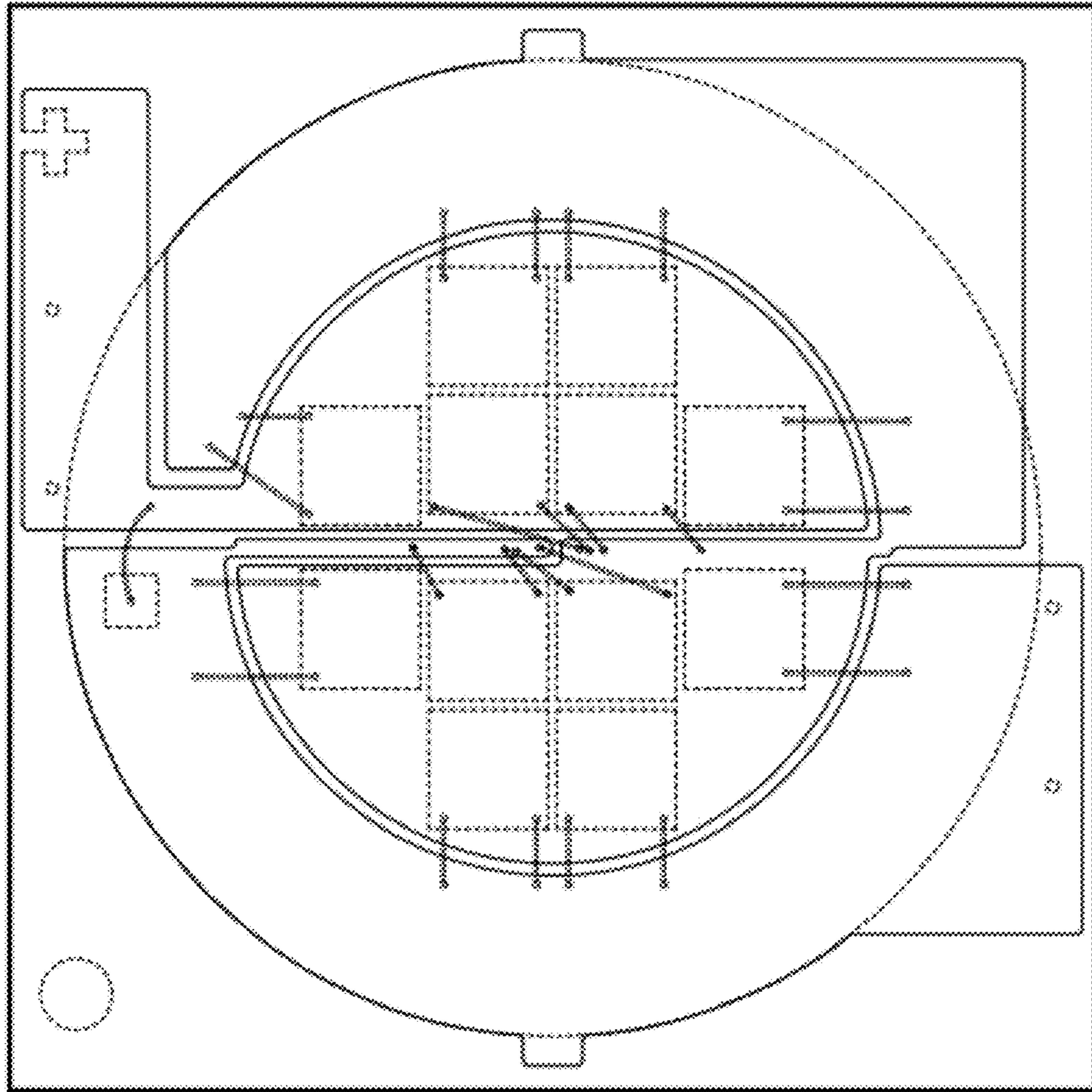


FIG. 2

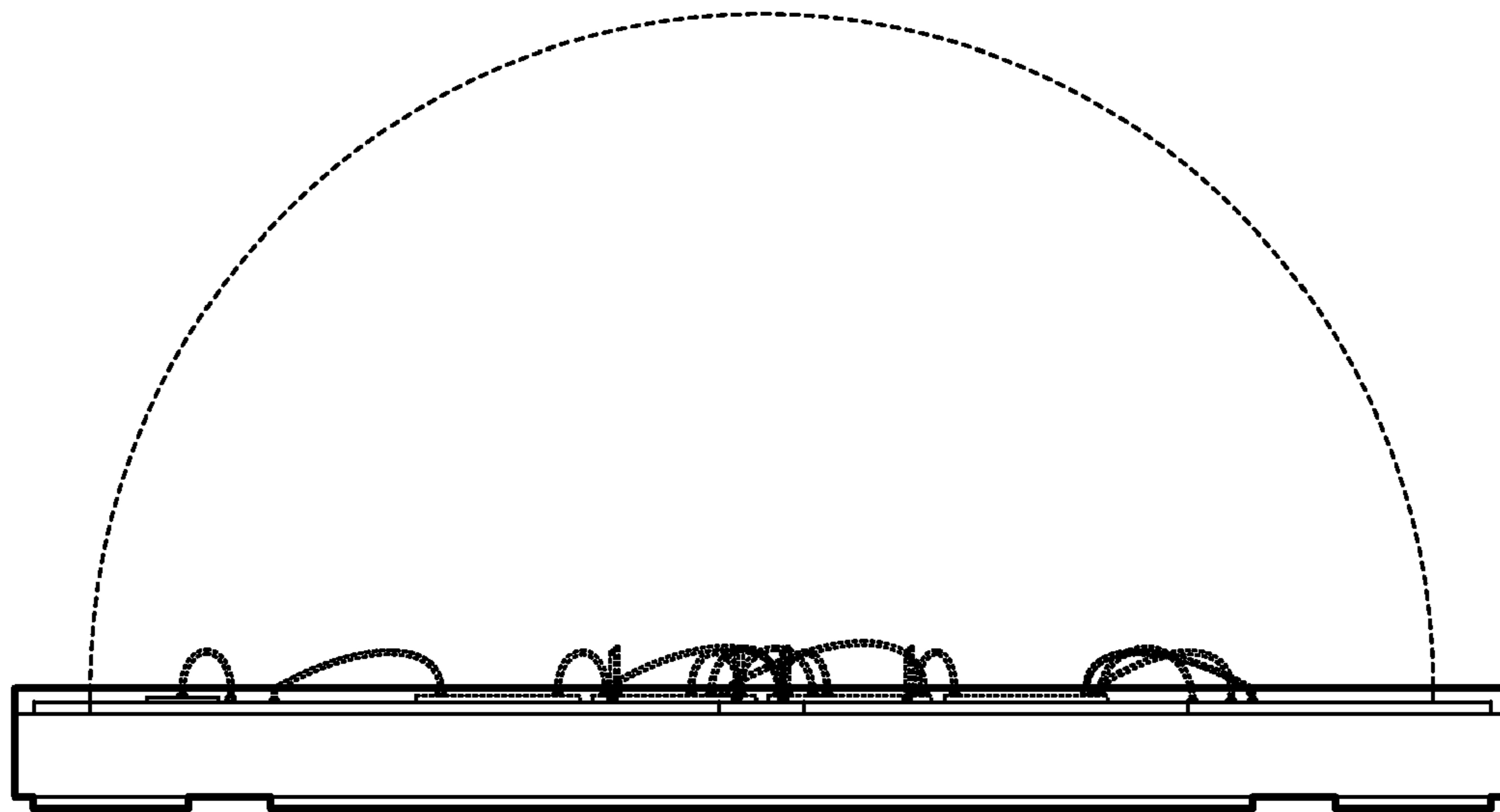


FIG. 3

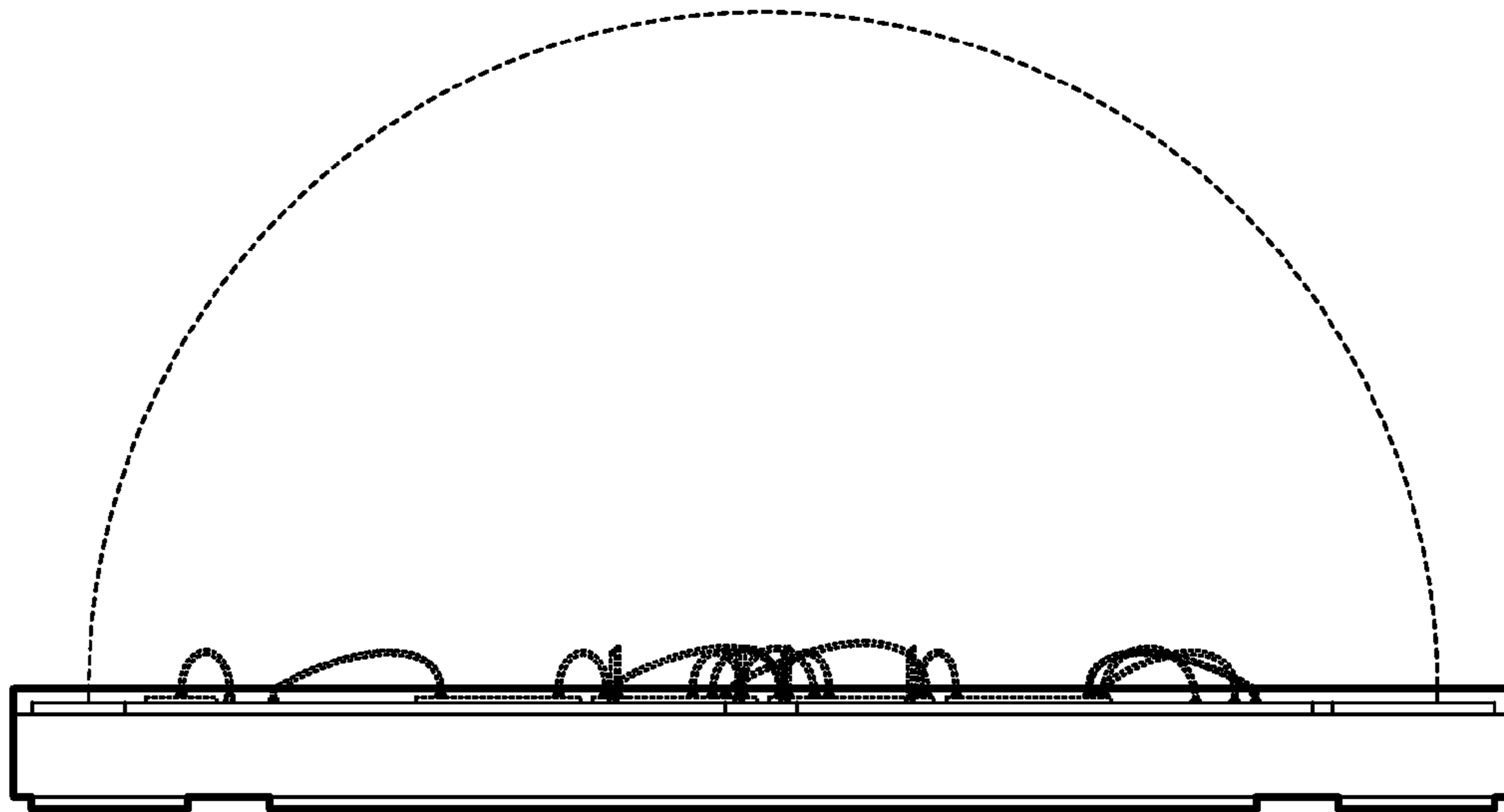


FIG. 4

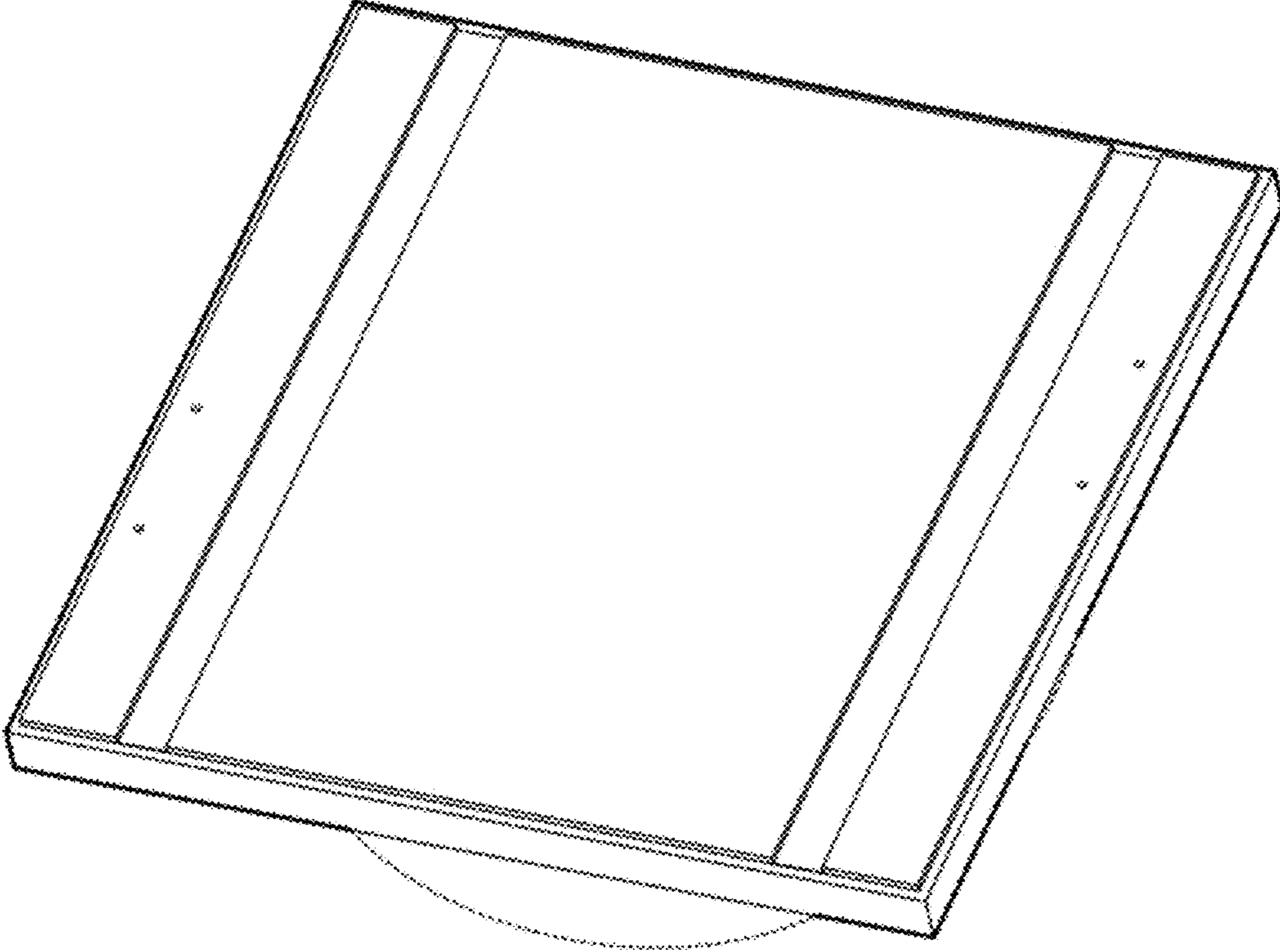


FIG. 5

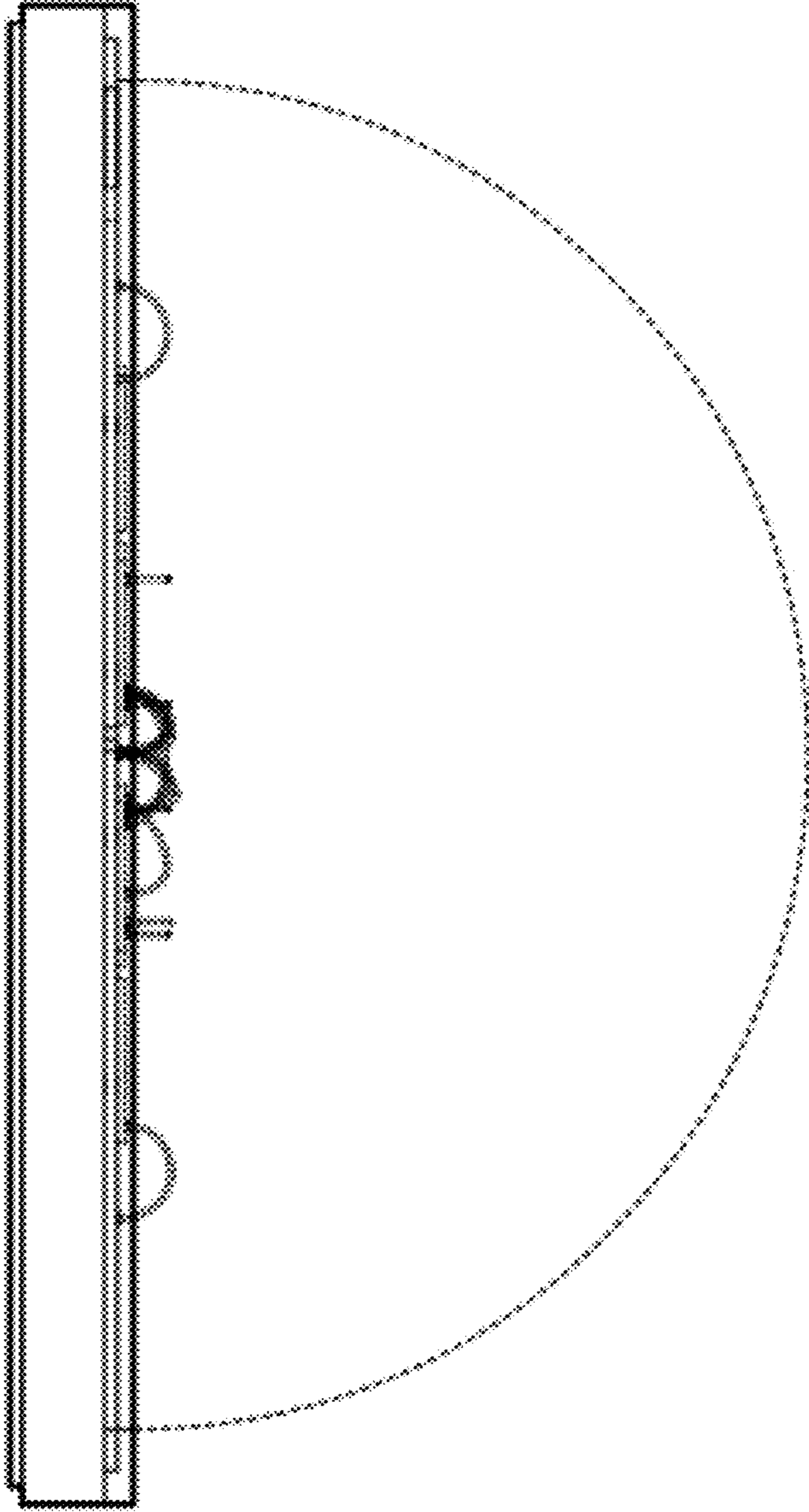


FIG. 6

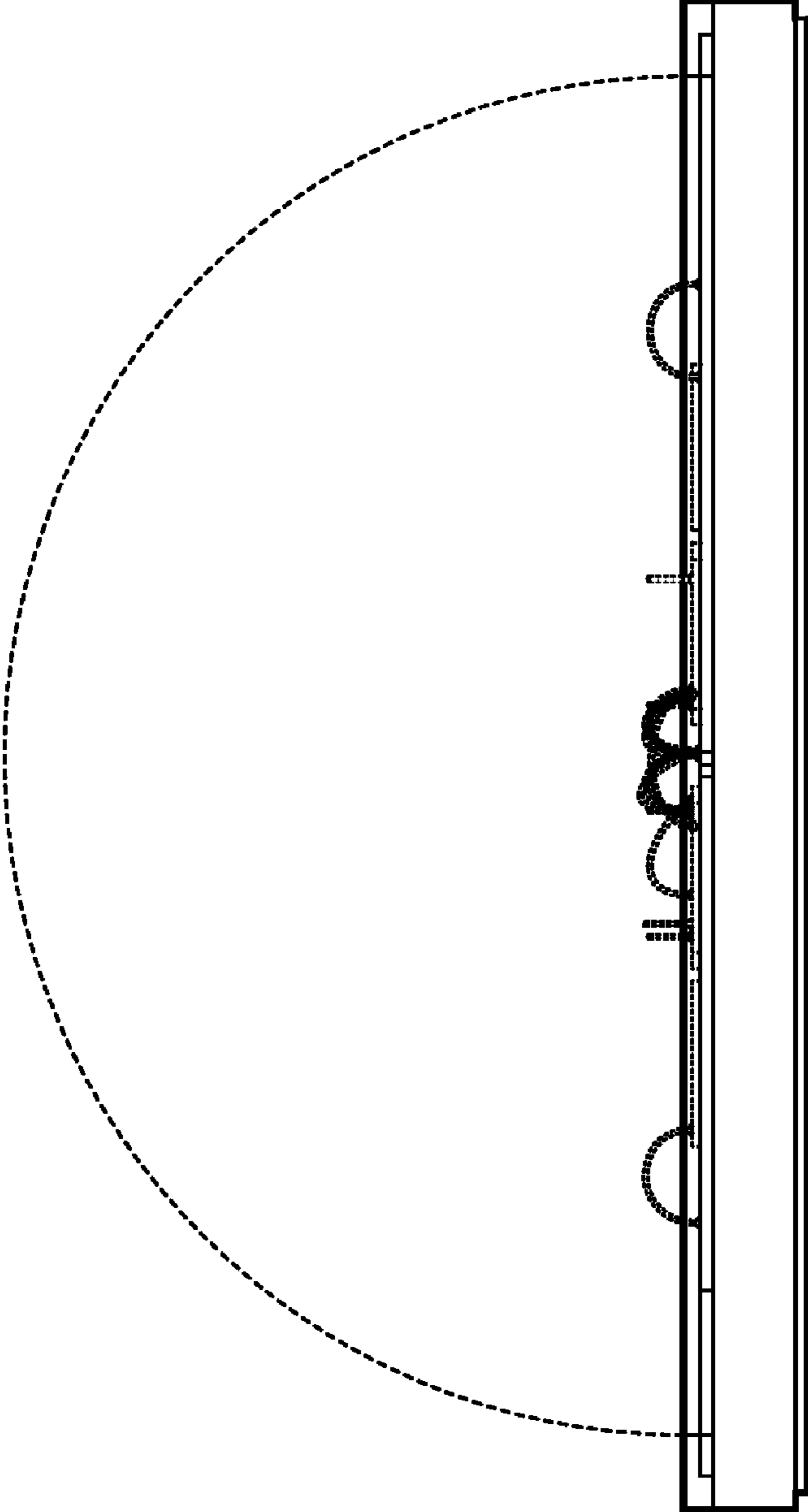


FIG. 7

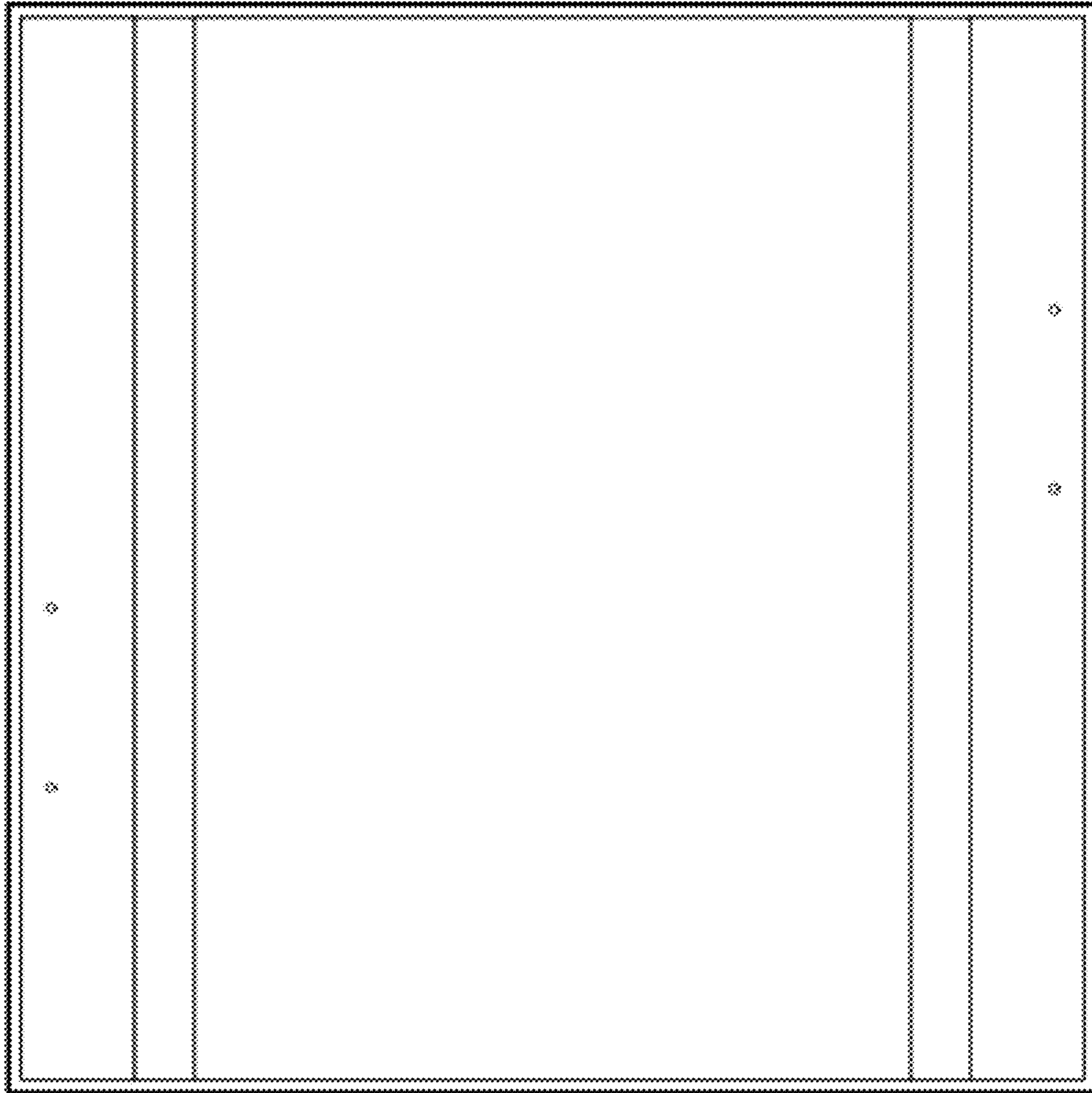


FIG. 8

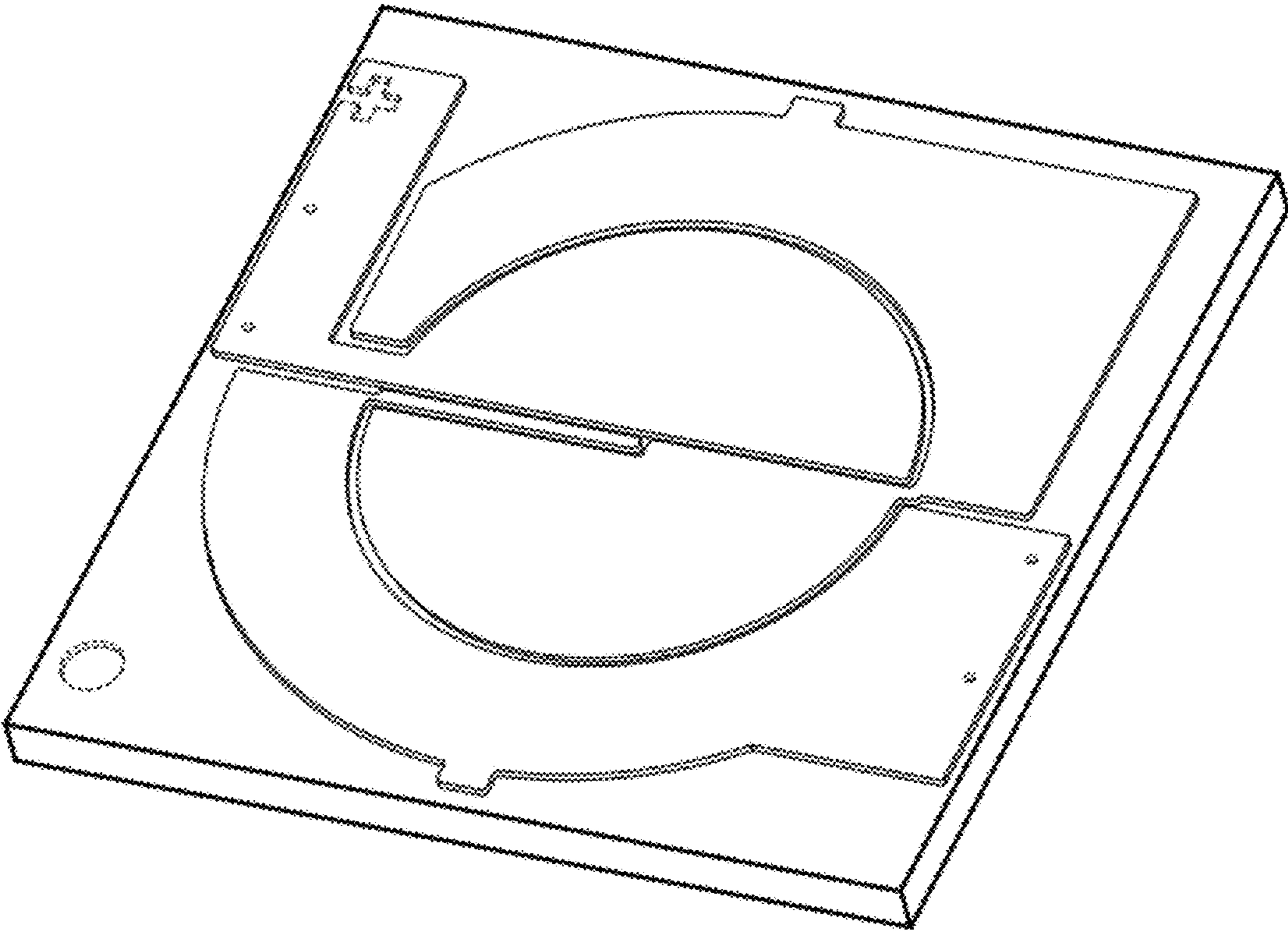


FIG. 9

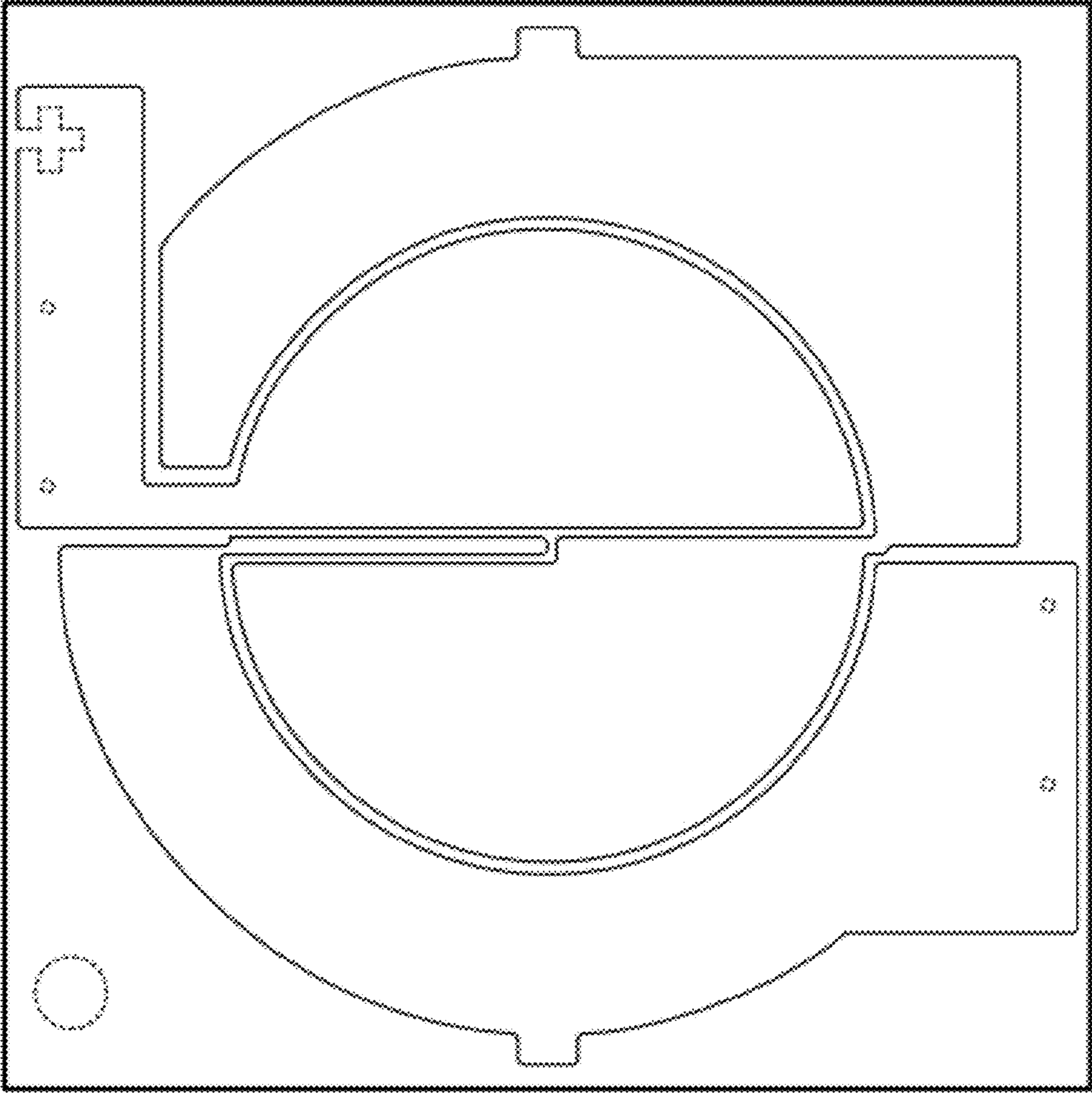


FIG. 10

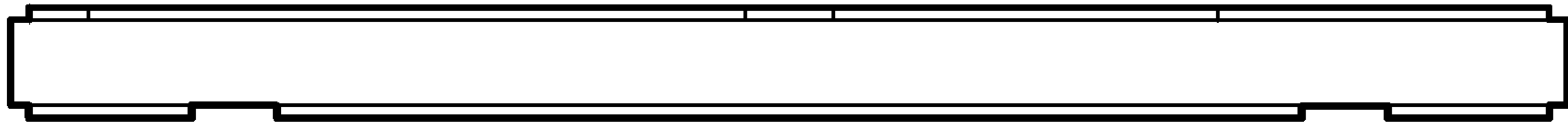


FIG. 11

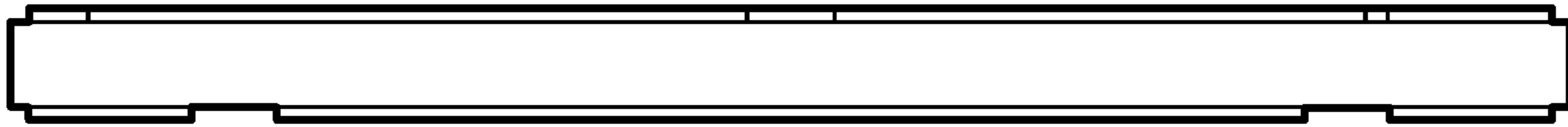


FIG. 12

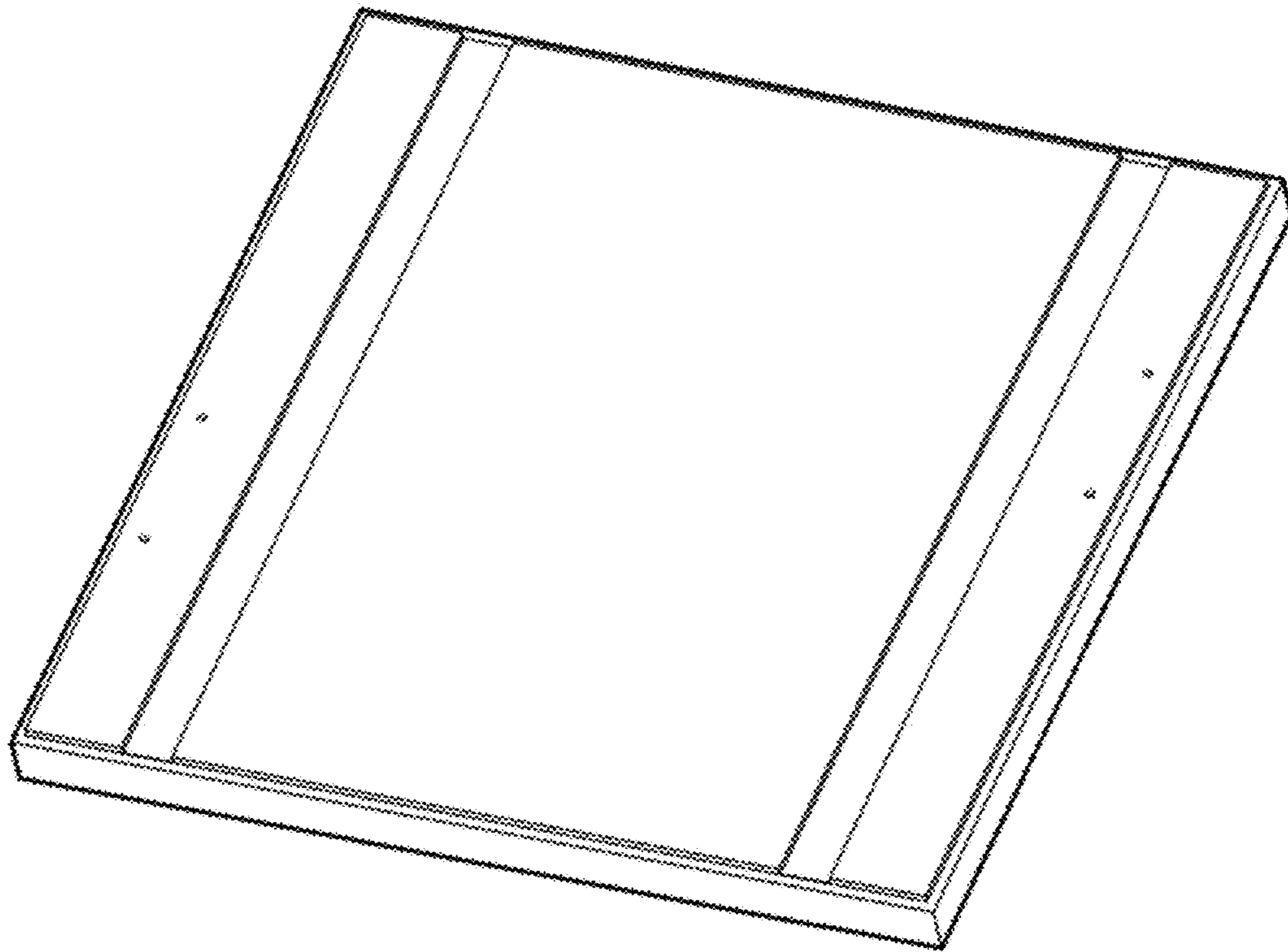


FIG. 13

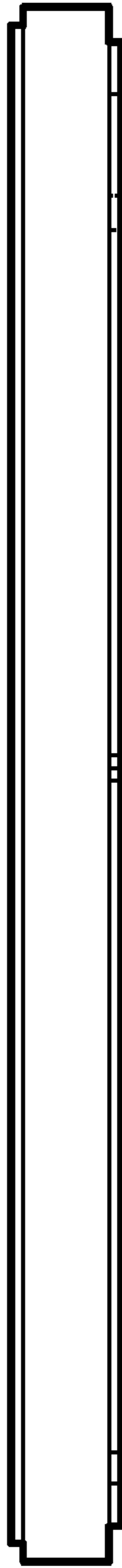


FIG. 14

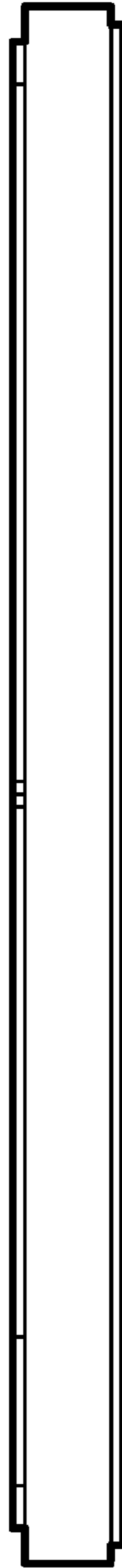


FIG. 15

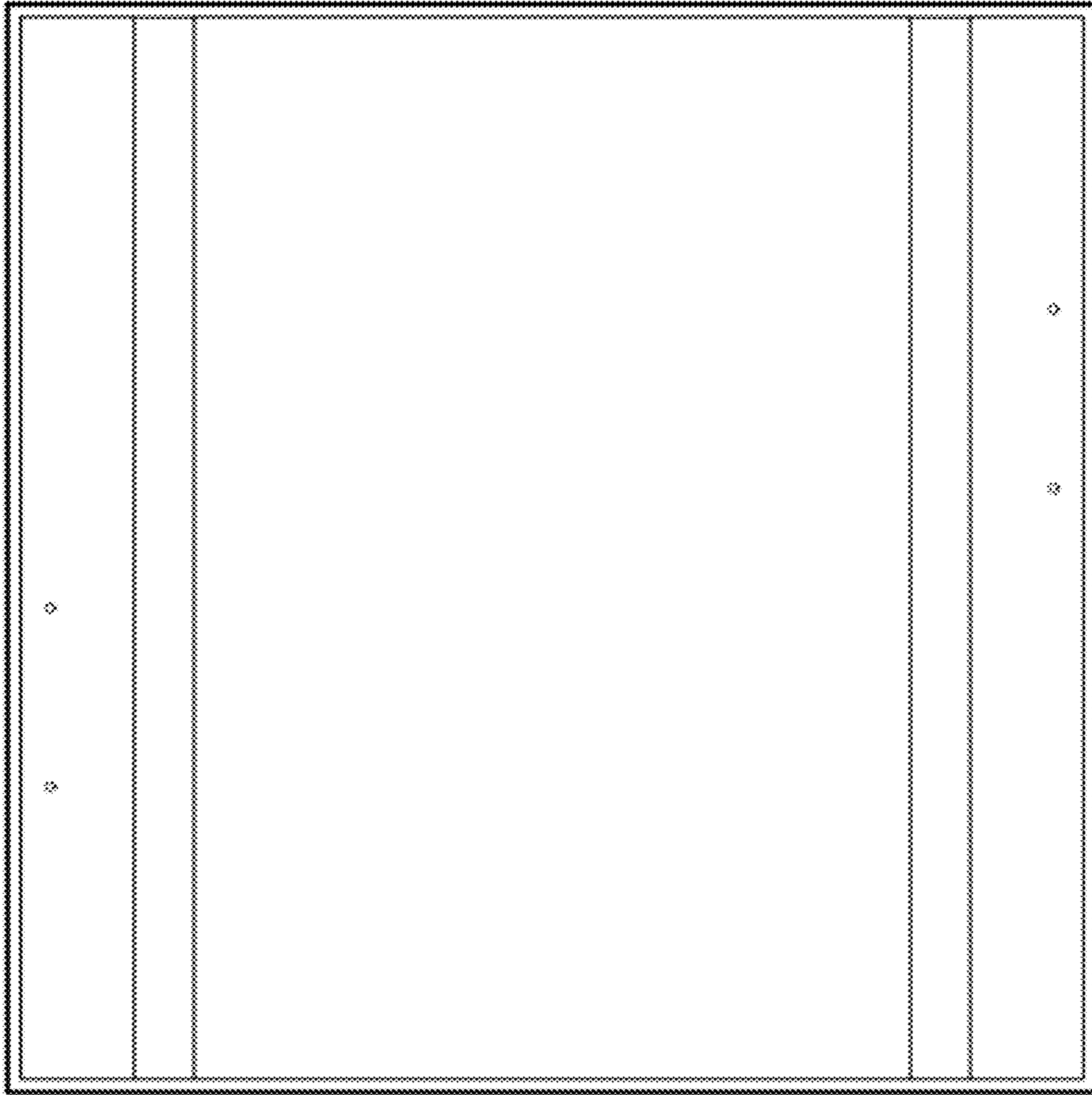


FIG. 16