



US00D658137S

(12) **United States Design Patent**
Dodal et al.

(10) **Patent No.:** **US D658,137 S**
(45) **Date of Patent:** **** Apr. 24, 2012**

(54) **ELECTRICAL ENCLOSURE**

(75) Inventors: **Rohit Sumerchand Dodal**, Peachtree City, GA (US); **Chadwick Garfield Smith**, Flowery Branch, GA (US)

(73) Assignee: **Cooper Technologies Company**, Houston, TX (US)

(**) Term: **14 Years**

(21) Appl. No.: **29/367,107**

(22) Filed: **Aug. 3, 2010**

(51) **LOC (9) Cl.** **13-03**

(52) **U.S. Cl.** **D13/169**

(58) **Field of Classification Search** D13/158, D13/160, 169; 200/5 R, 5 A, 302.2, 520, 200/530, 293, 564, 568, 296, 308, 310, 314, 200/316, 329, 336, 341; 307/139, 157; 315/209 R, 315/224, 246, 291, 294, 295

See application file for complete search history.

(56) **References Cited**

U.S. PATENT DOCUMENTS

3,832,503	A *	8/1974	Crane	200/51 R
D321,339	S *	11/1991	Stack et al.	D13/160
D513,496	S *	1/2006	Ikegami	D13/160
D526,968	S *	8/2006	Castaldo	D13/169
D559,795	S	1/2008	Valentin et al.		
2010/0032278	A1 *	2/2010	Lin	200/564
2011/0011710	A1 *	1/2011	Dodal et al.	200/302.1

* cited by examiner

Primary Examiner — Selina Sikder

(74) *Attorney, Agent, or Firm* — King & Spalding LLP

(57) **CLAIM**

The ornamental design for an electrical enclosure, as shown and described.

DESCRIPTION

The present application claims priority to U.S. patent application Ser. No. 12/825,140, titled "Electrical Enclosure" filed on Jun. 28, 2010. The complete disclosure of the above-identified application is hereby fully incorporated herein by reference.

FIG. 1 is a perspective view of an electrical enclosure in accordance with our design;

FIG. 2 is a bottom plan view thereof;

FIG. 3 is a top plan view thereof;

FIG. 4 is a left side elevation view thereof;

FIG. 5 is a right side elevation view thereof;

FIG. 6 is a front side elevation view thereof; and

FIG. 7 is a back side elevation view thereof.

FIG. 8 is a perspective view of another electrical enclosure in accordance with our design;

FIG. 9 is a bottom plan view thereof;

FIG. 10 is a top plan view thereof;

FIG. 11 is a left side elevation view thereof;

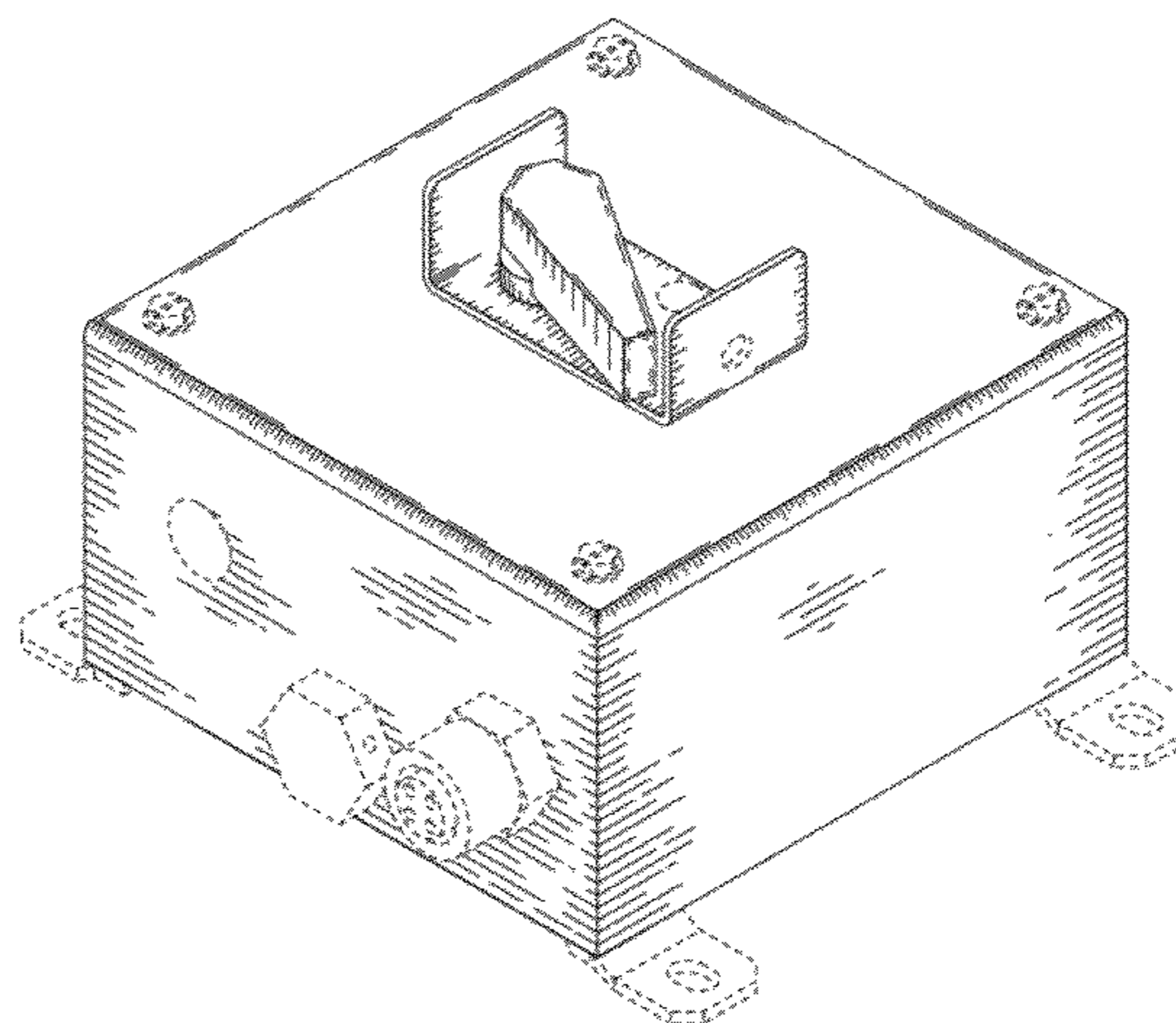
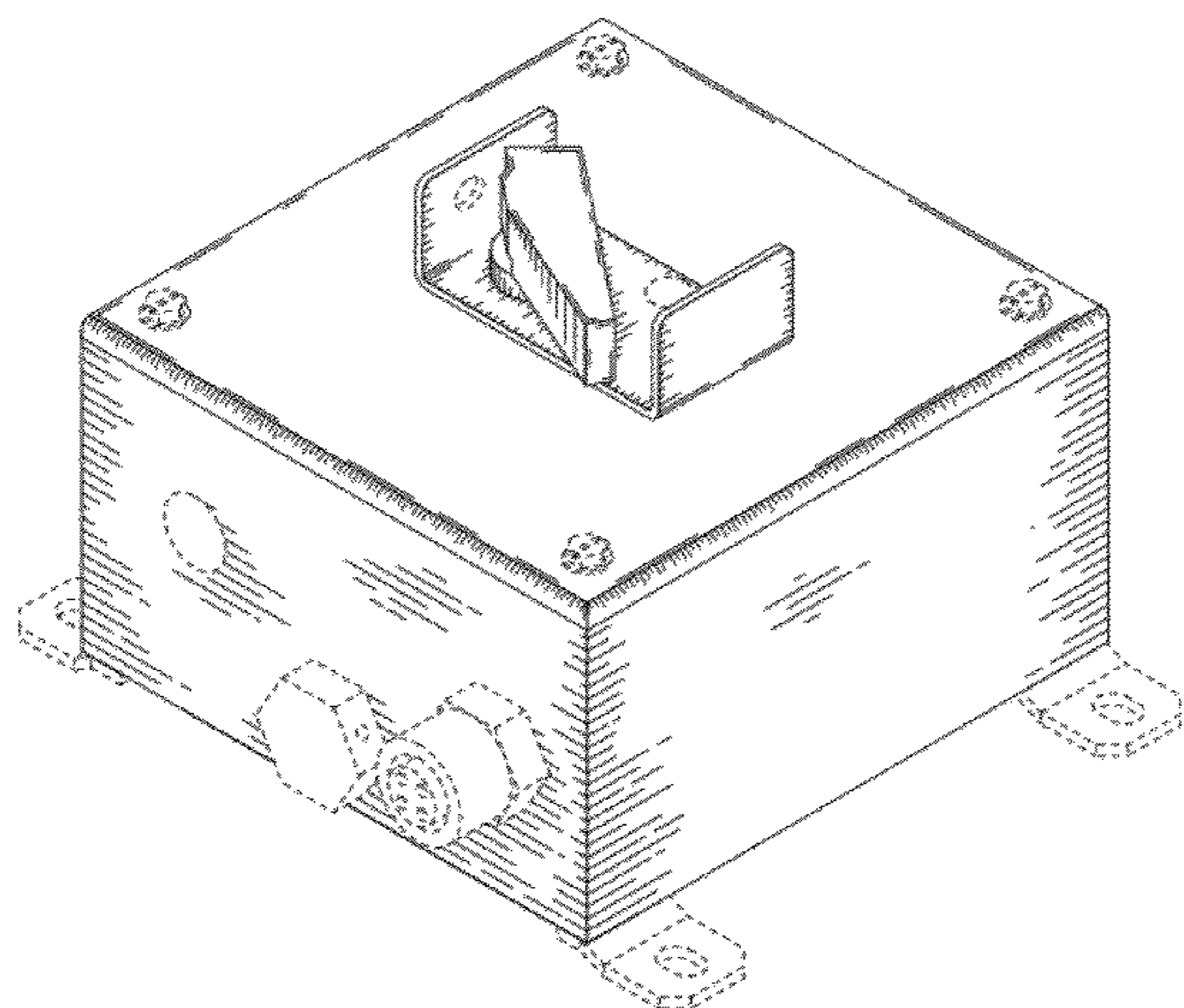
FIG. 12 is a right side elevation view thereof;

FIG. 13 is a front side elevation view thereof; and,

FIG. 14 is a back side elevation view thereof.

The broken lines shown herein are for illustrative purposes only and form no part of the claimed design.

1 Claim, 8 Drawing Sheets



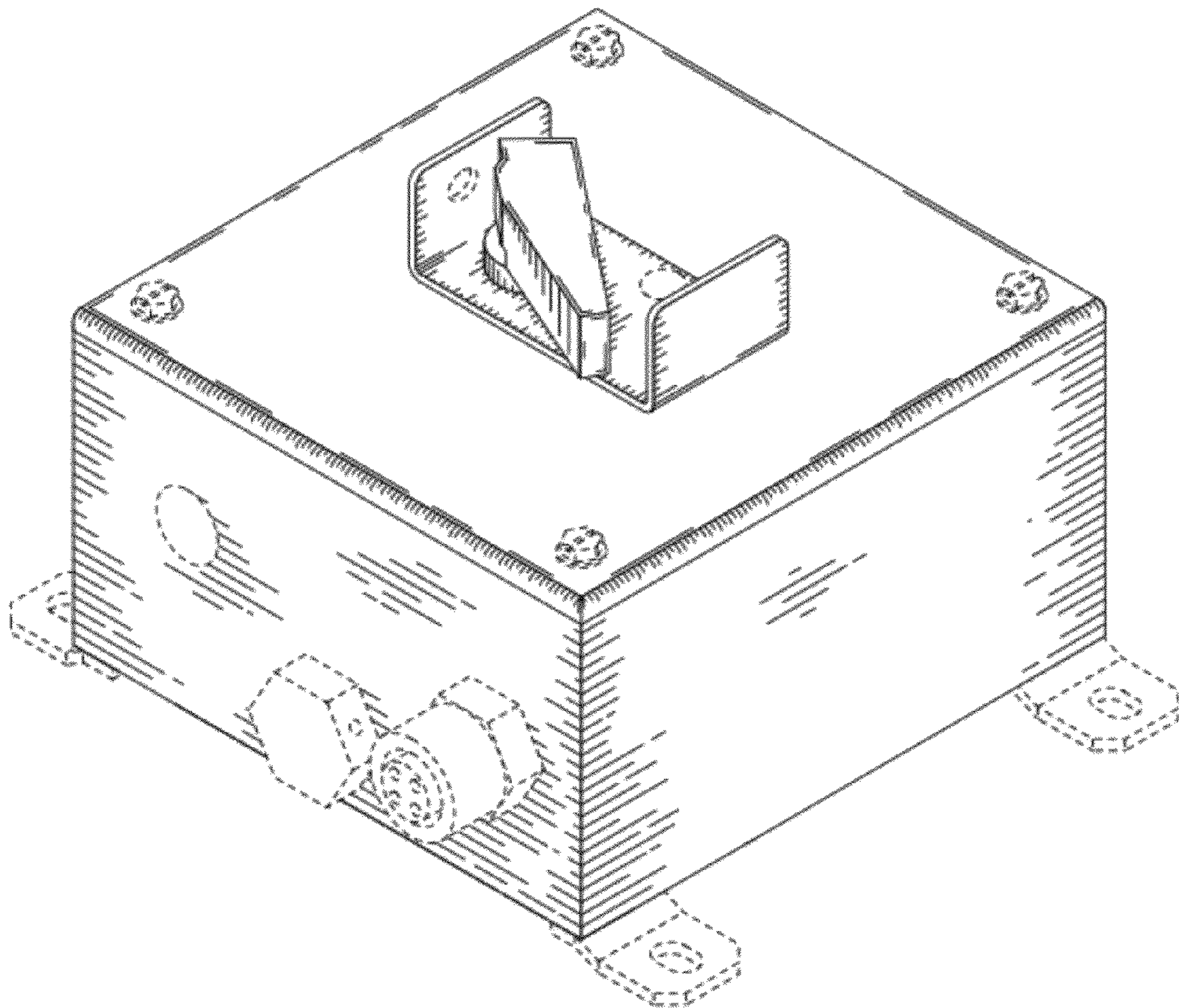


FIG. 1

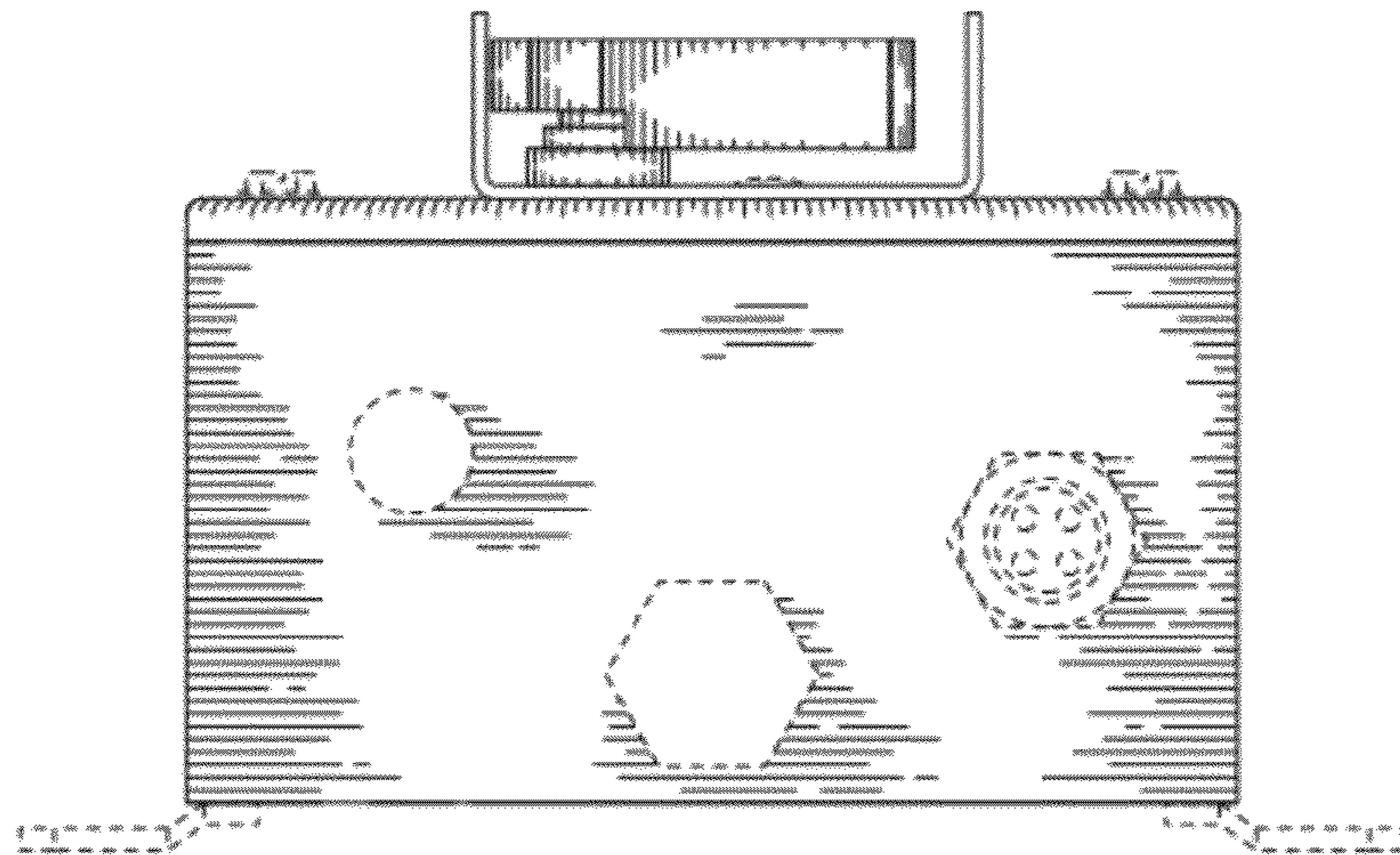


FIG. 2

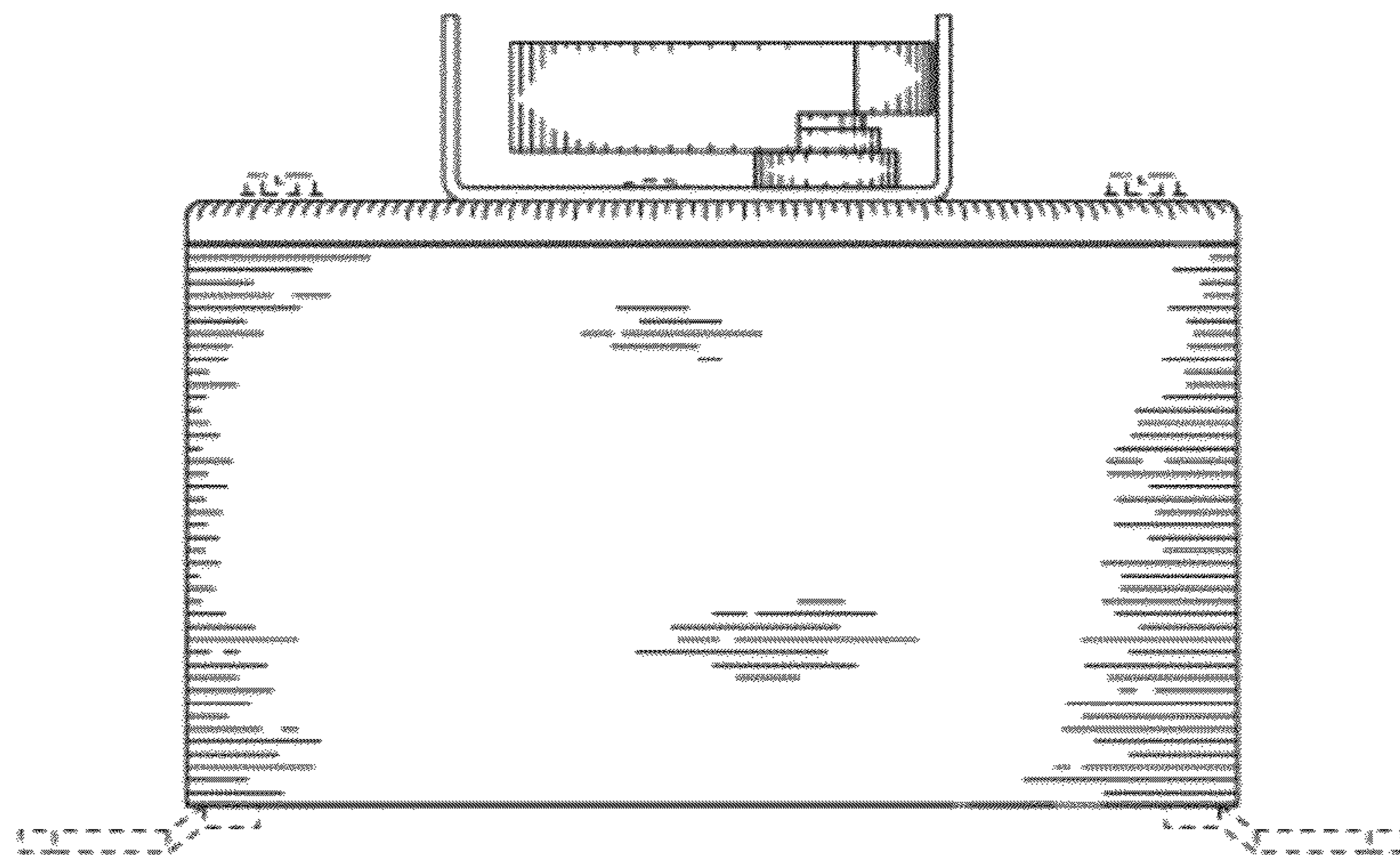


FIG. 3

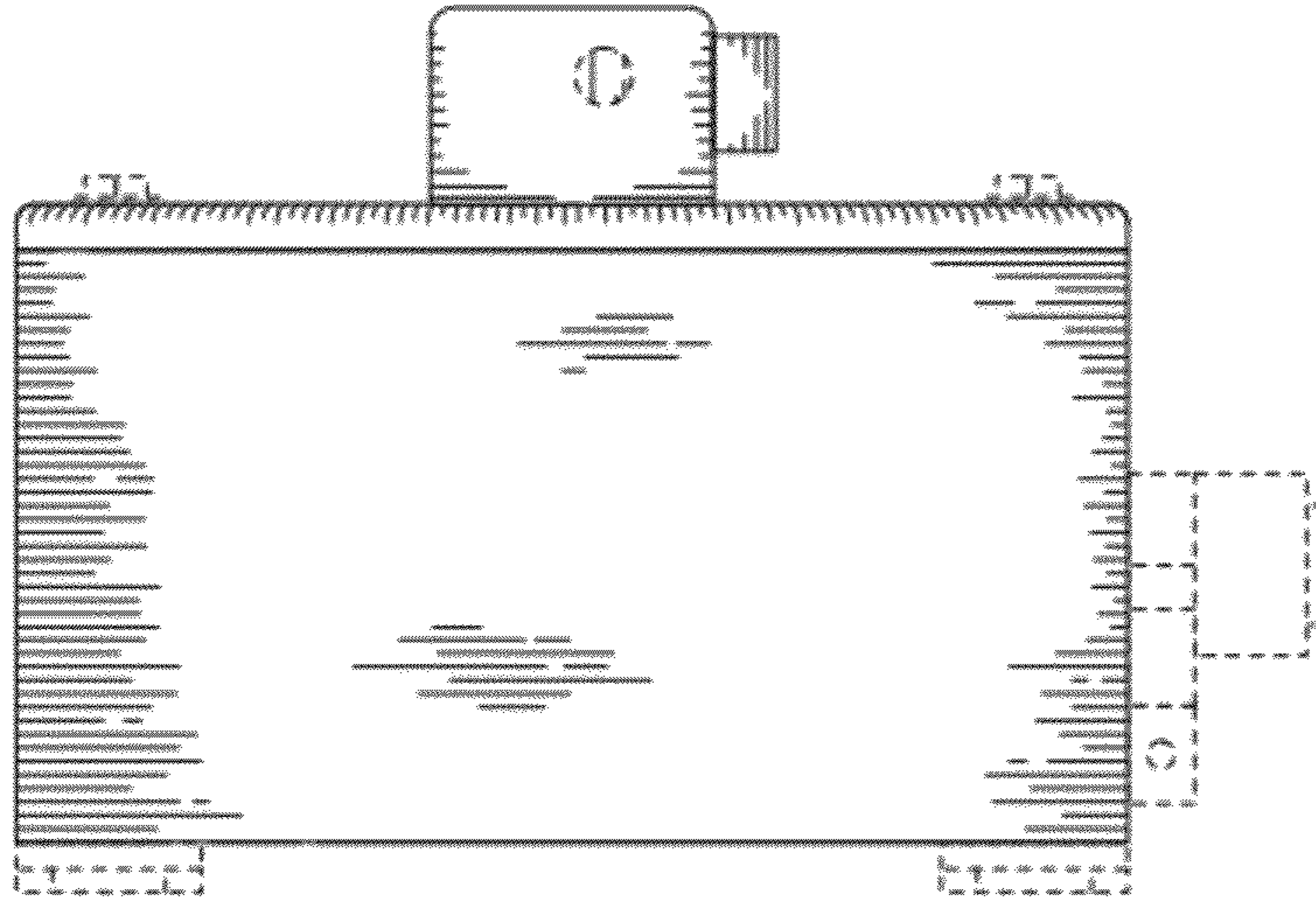


FIG. 4

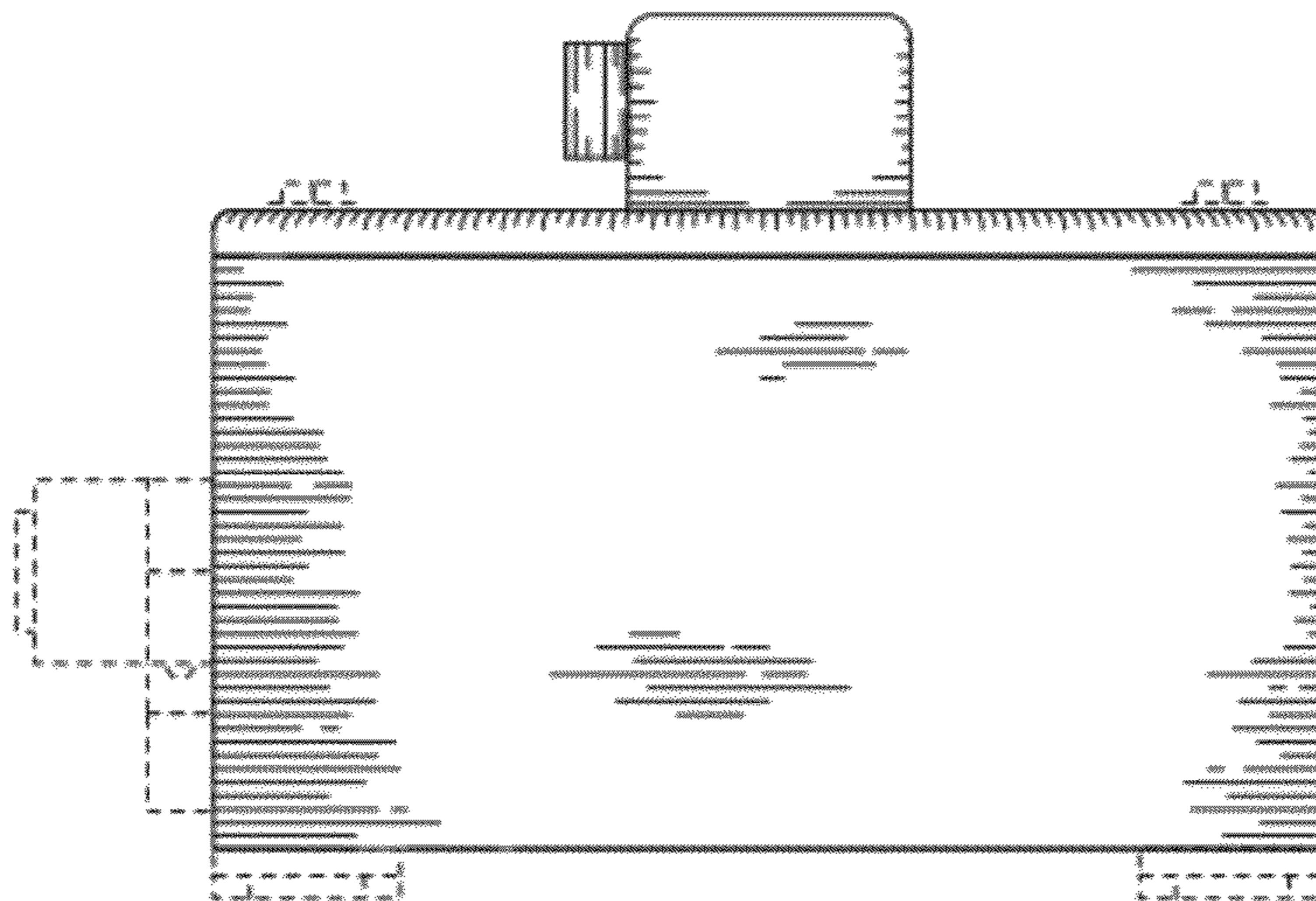


FIG. 5

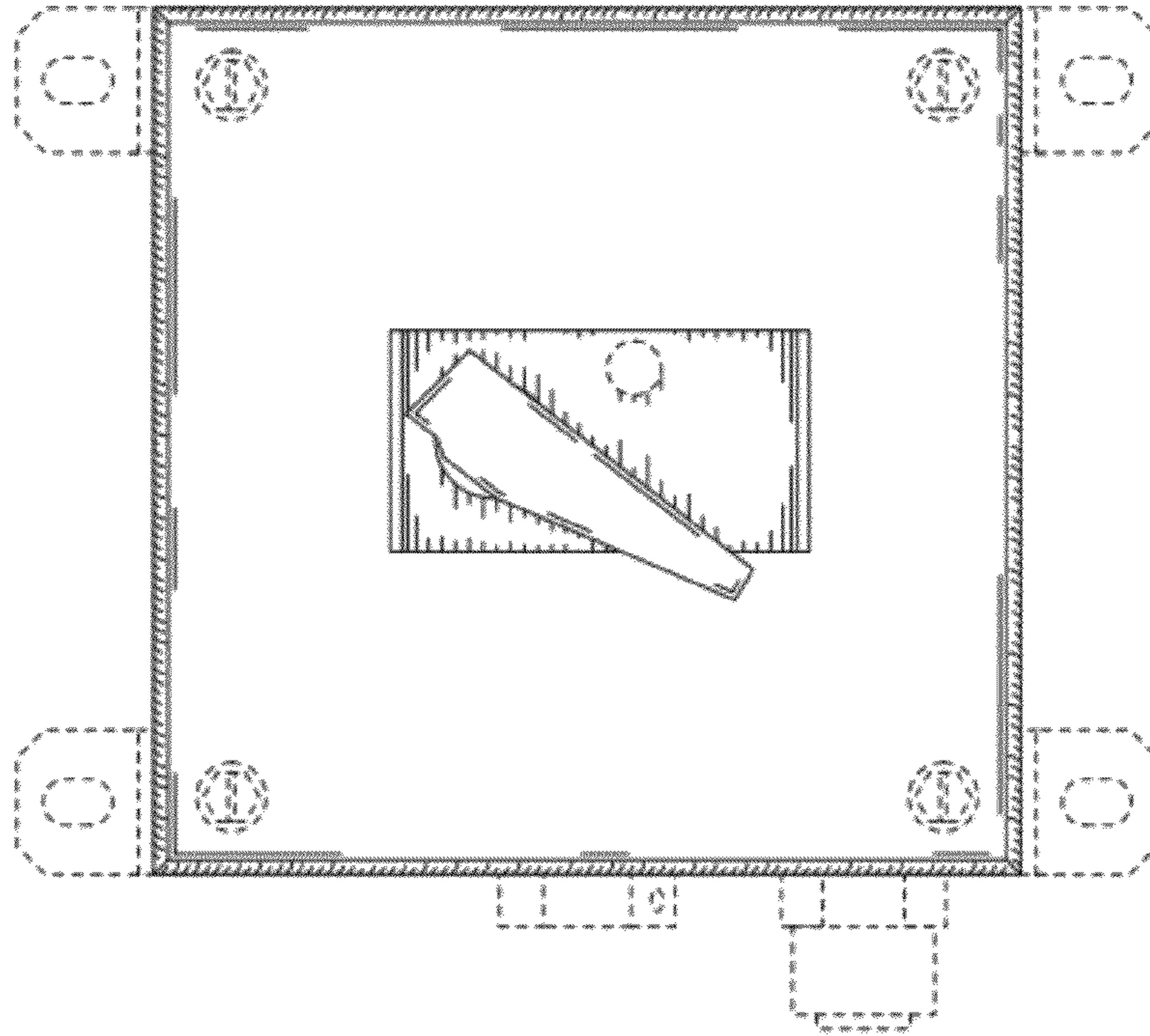


FIG. 6

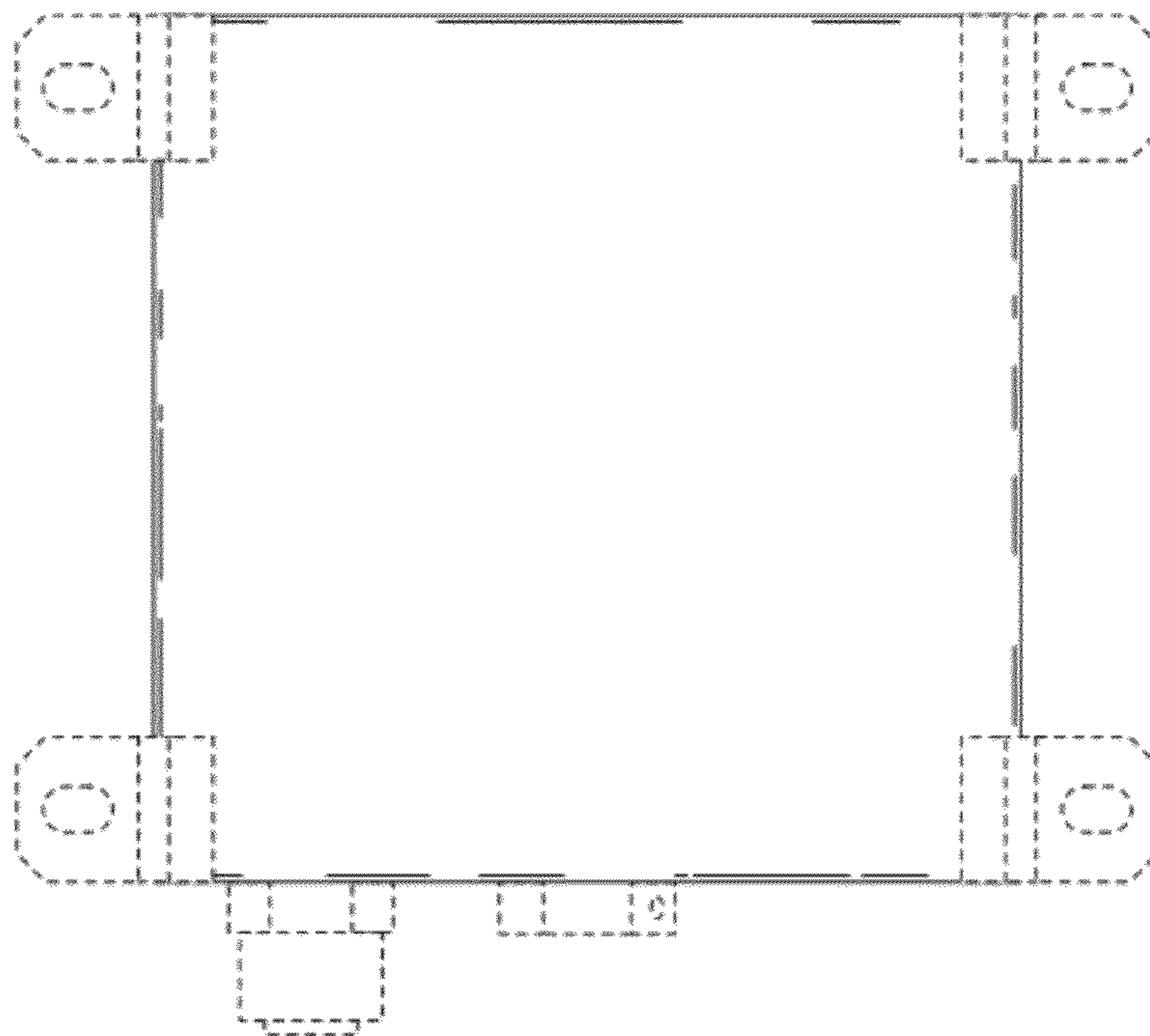


FIG. 7

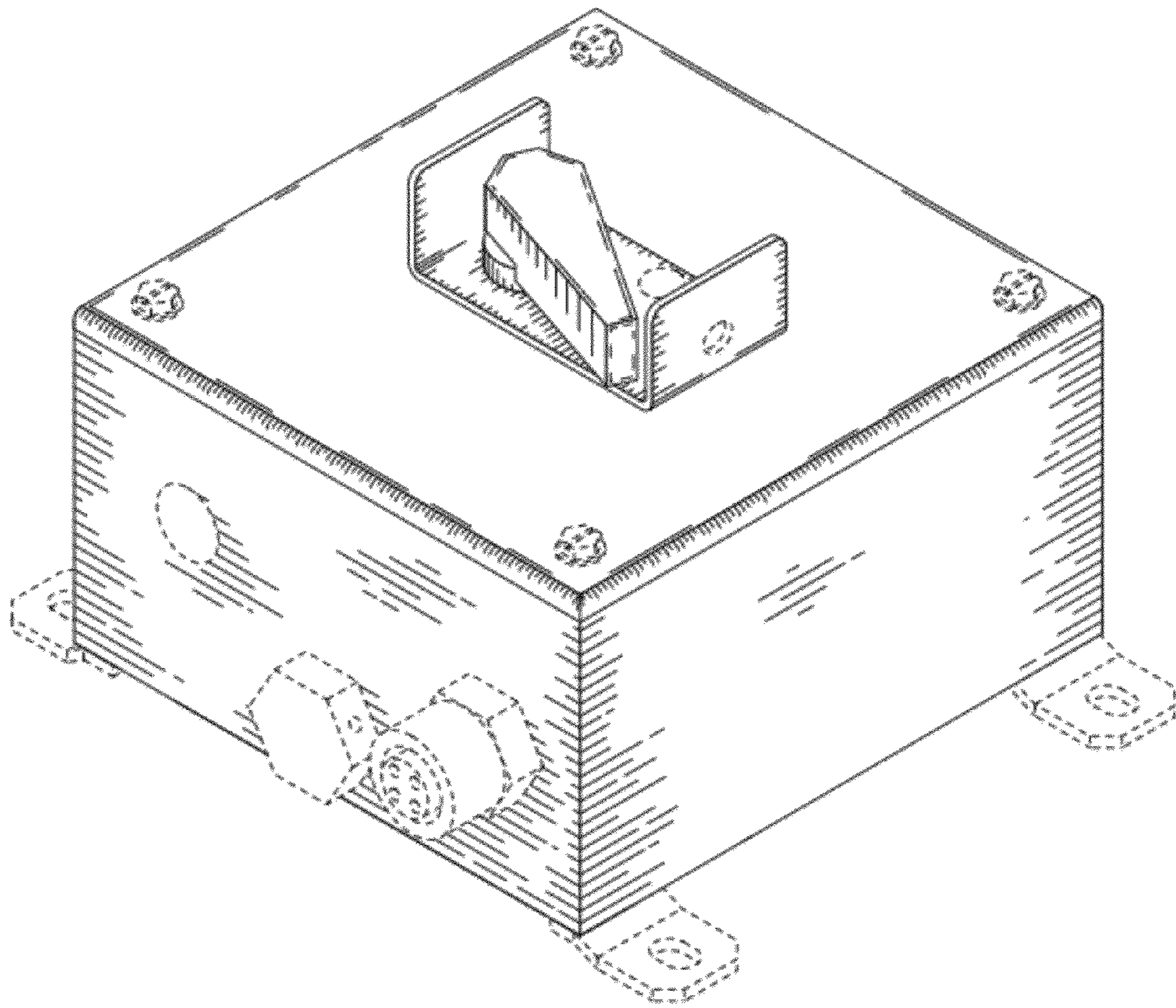


FIG. 8

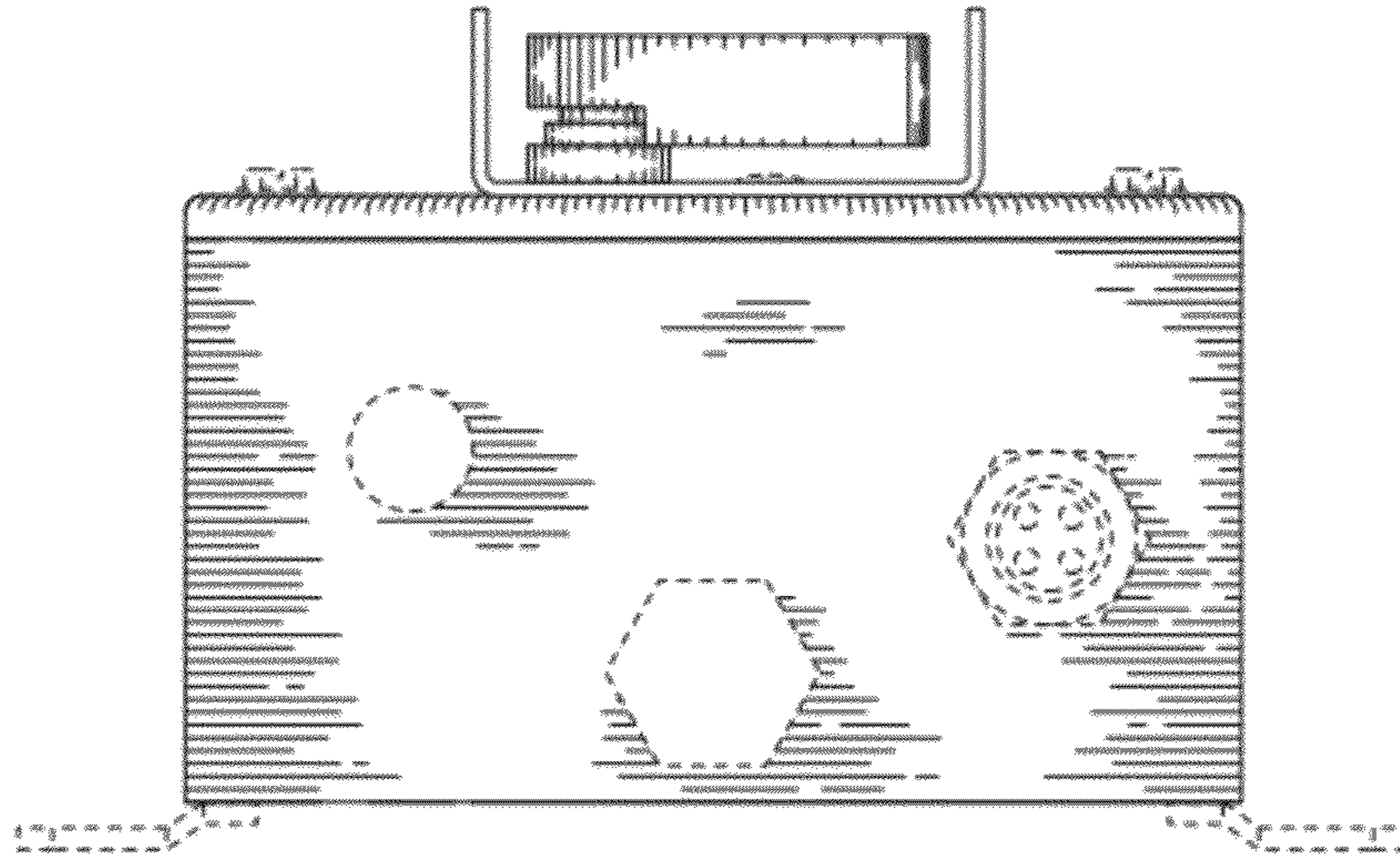


FIG. 9

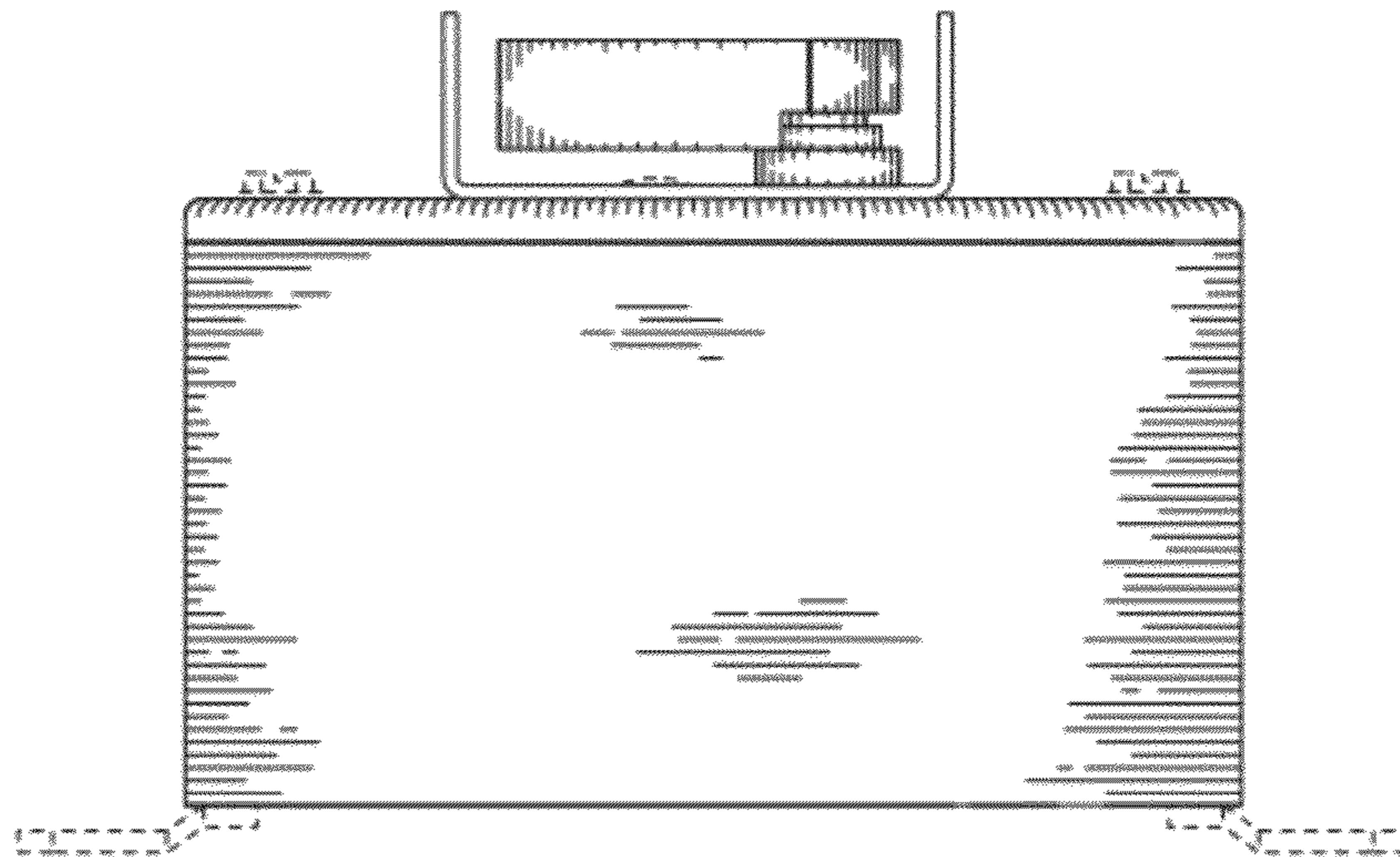


FIG. 10

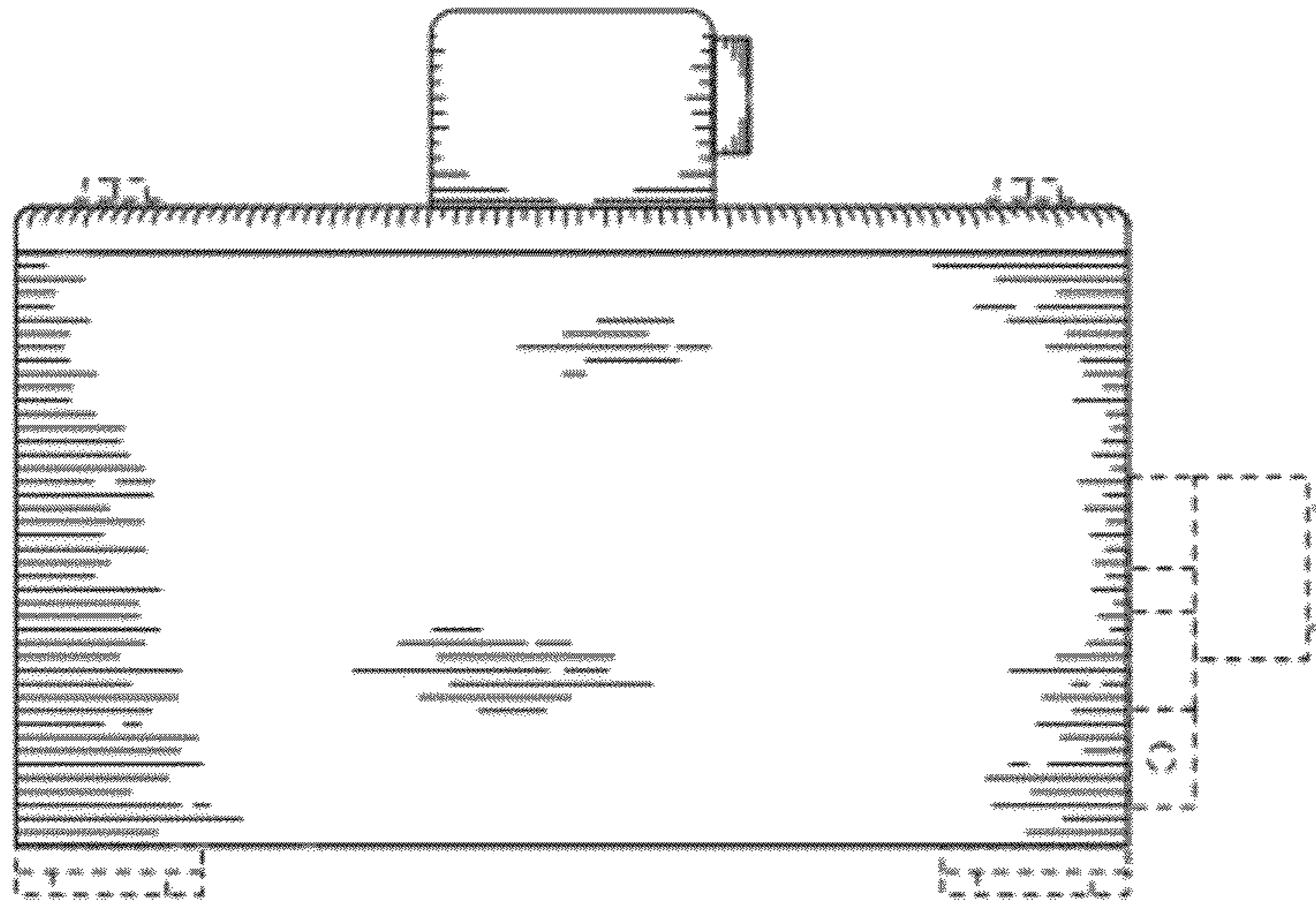


FIG. 11

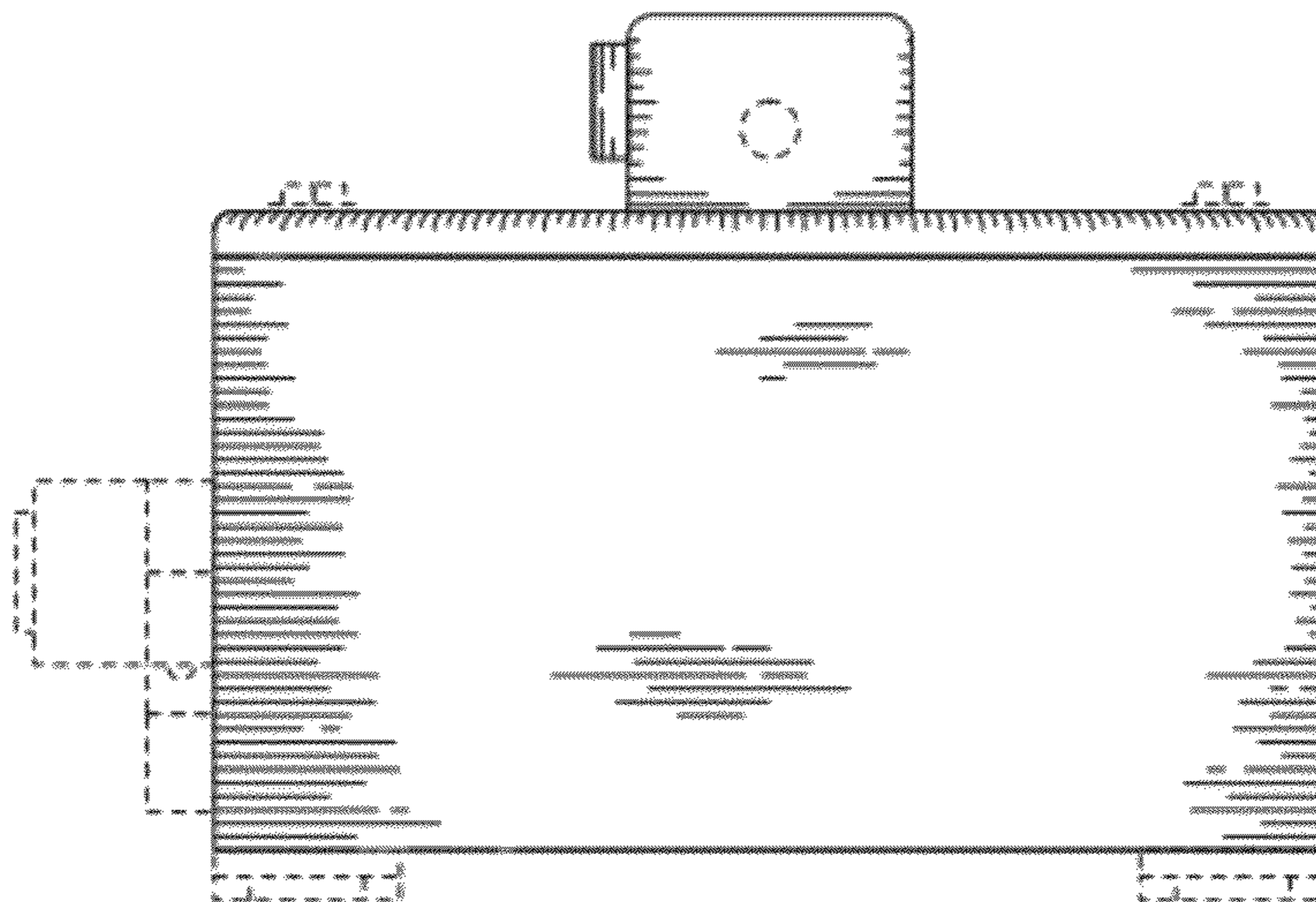


FIG. 12

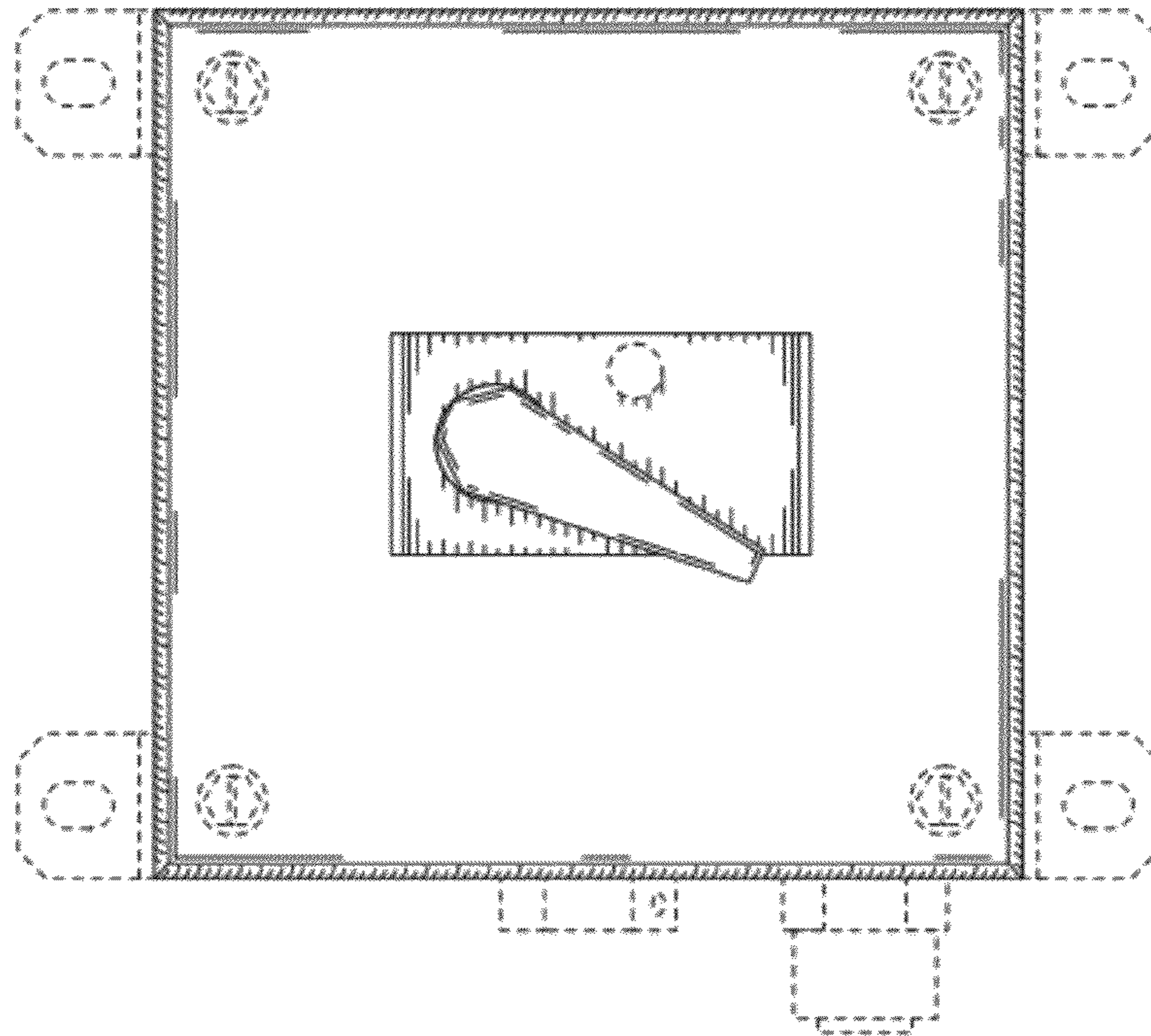


FIG. 13

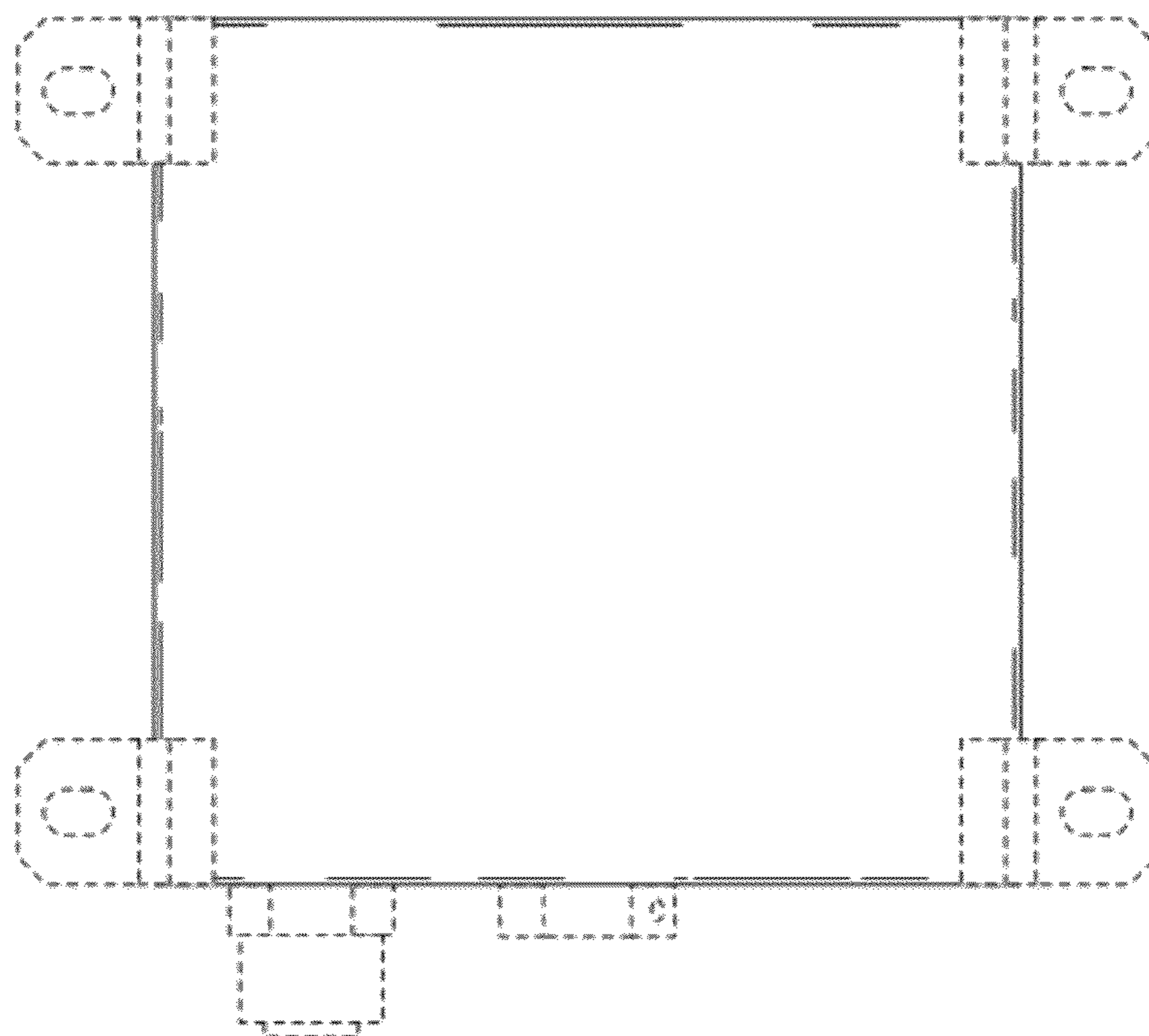


FIG. 14