



US00D658136S

(12) **United States Design Patent**  
**Weber et al.**

(10) **Patent No.:** **US D658,136 S**

(45) **Date of Patent:** **\*\* Apr. 24, 2012**

(54) **SWITCH**

(56) **References Cited**

(75) Inventors: **Ralf Weber**, Heilberg (DE); **Joachim Körner**, Sinsheim (DE); **Dirk Hauck**, Epfenbach (DE); **Gerhard Ziegler**, Lobbach (DE); **Klaus-Peter Eppe**, Waldbrunn (DE)

U.S. PATENT DOCUMENTS

D246,851	S	*	1/1978	Tarchalski et al.	.....	D13/160
D550,630	S	*	9/2007	Wang et al.	.....	D13/160
2003/0107854	A1	*	6/2003	Mason et al.	.....	361/42
2010/0020453	A1	*	1/2010	McCoy et al.	.....	361/42
2010/0236908	A1	*	9/2010	Watford et al.	.....	200/293

\* cited by examiner

(73) Assignee: **ABB Stotz-Kontakt GmbH**, Heidelberg (DE)

*Primary Examiner* — Thomas Johannes

(\*\*) Term: **14 Years**

(74) *Attorney, Agent, or Firm* — Buchanan Ingersoll & Rooney PC

(21) Appl. No.: **29/386,204**

(57) **CLAIM**

The ornamental design for a switch, as shown and described.

(22) Filed: **Feb. 25, 2011**

**DESCRIPTION**

(30) **Foreign Application Priority Data**

Aug. 31, 2010 (EM) ..... 001748815-0002

(51) **LOC (9) Cl.** ..... **13-03**

(52) **U.S. Cl.** ..... **D13/160**

(58) **Field of Classification Search** ..... D13/158,  
D13/159, 160, 161, 162, 184, 199; 200/43.14,  
200/50.01, 50.21–50.23, 51 R, 293, 400,  
200/401; 361/42, 44, 45, 50, 71, 115, 608,  
361/634

FIG. 1 is a front, left side perspective view of a switch showing our new design.

FIG. 2 is a front elevational view thereof.

FIG. 3 is a rear elevational view thereof.

FIG. 4 is a top plan view thereof.

FIG. 5 is a bottom plan view thereof.

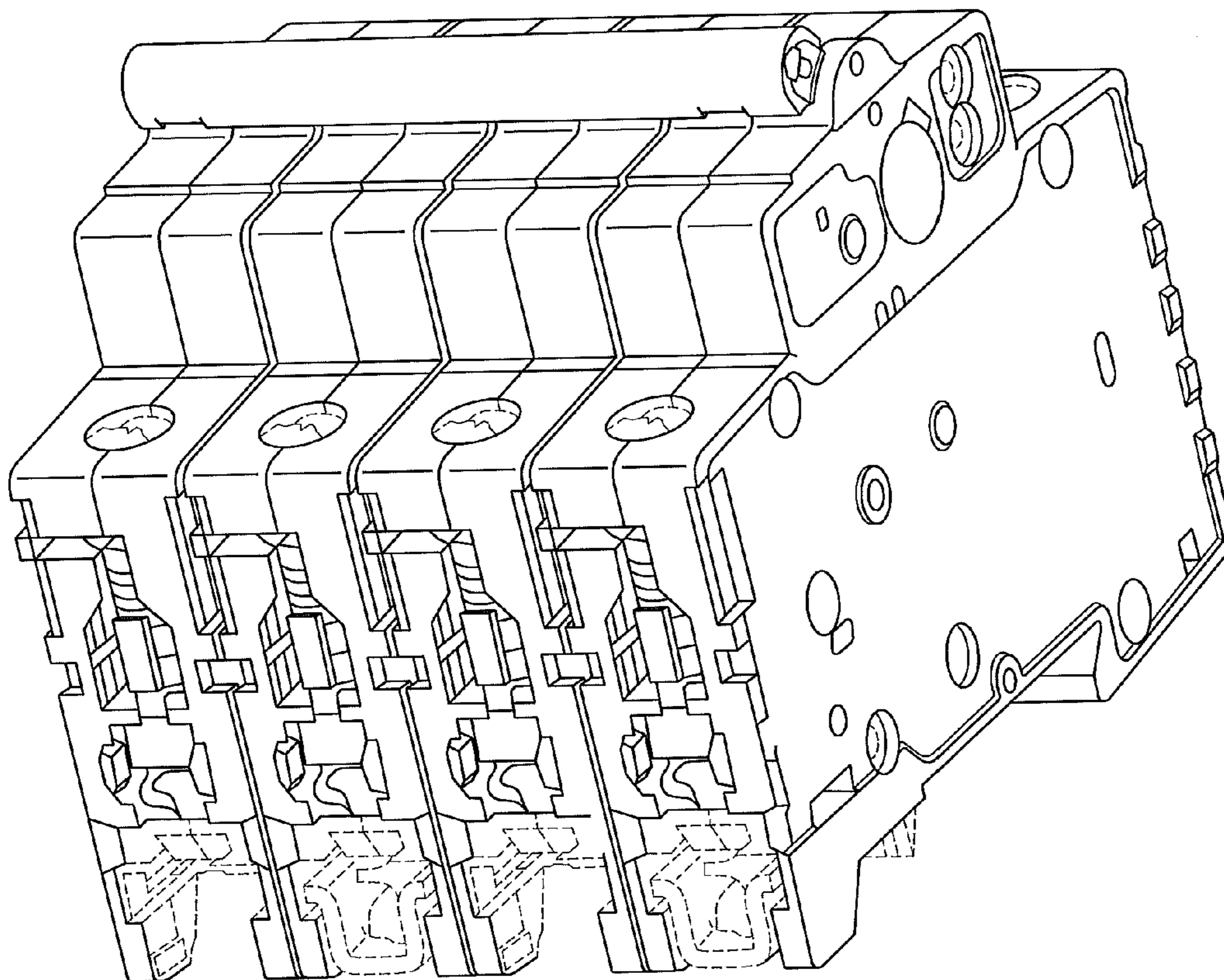
FIG. 6 is a left side elevational view thereof; and,

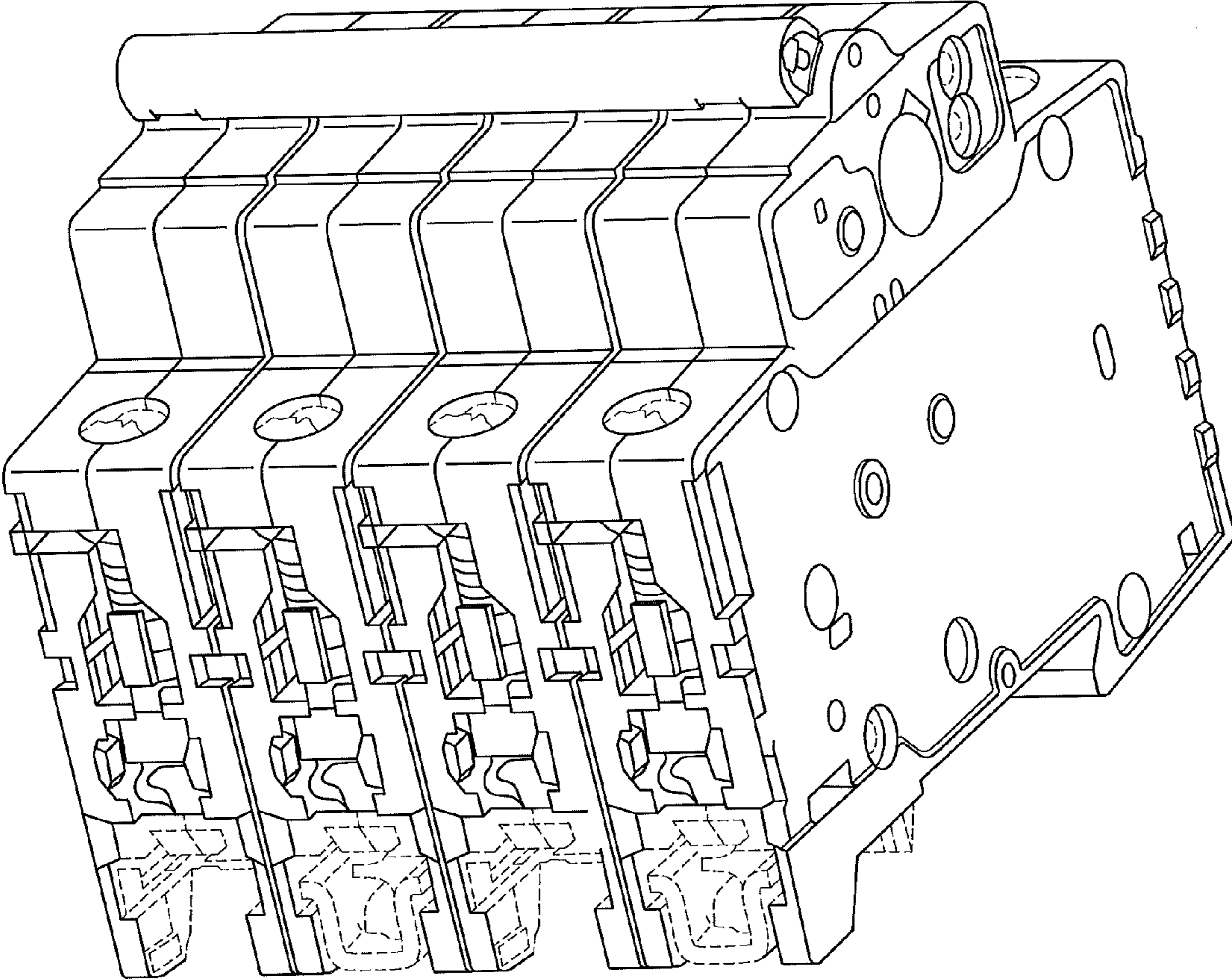
FIG. 7 is a right side elevational view thereof.

The broken line portion of the figure drawings is included to show unclaimed subject matter only and forms no part of the claimed design.

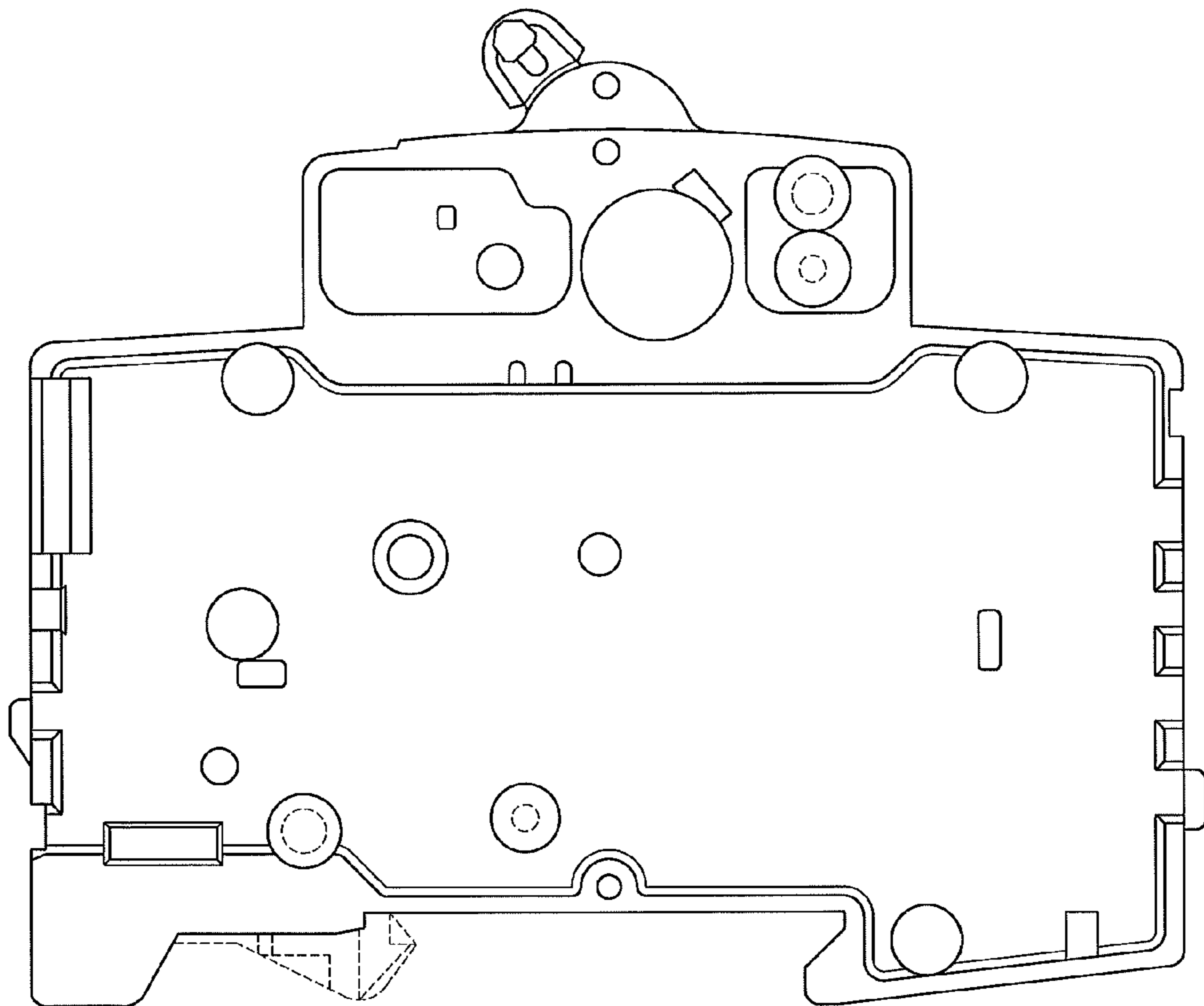
See application file for complete search history.

**1 Claim, 7 Drawing Sheets**

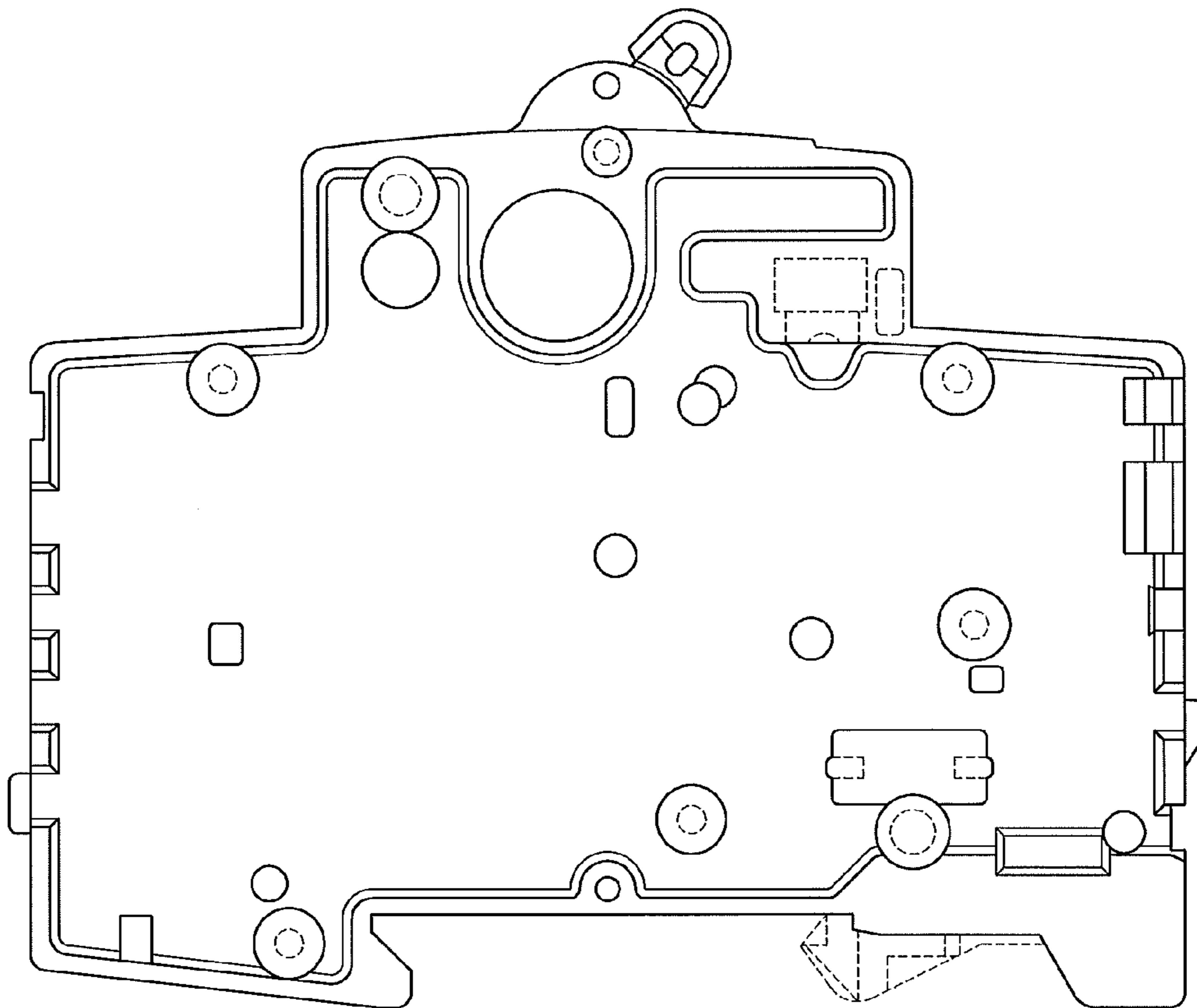




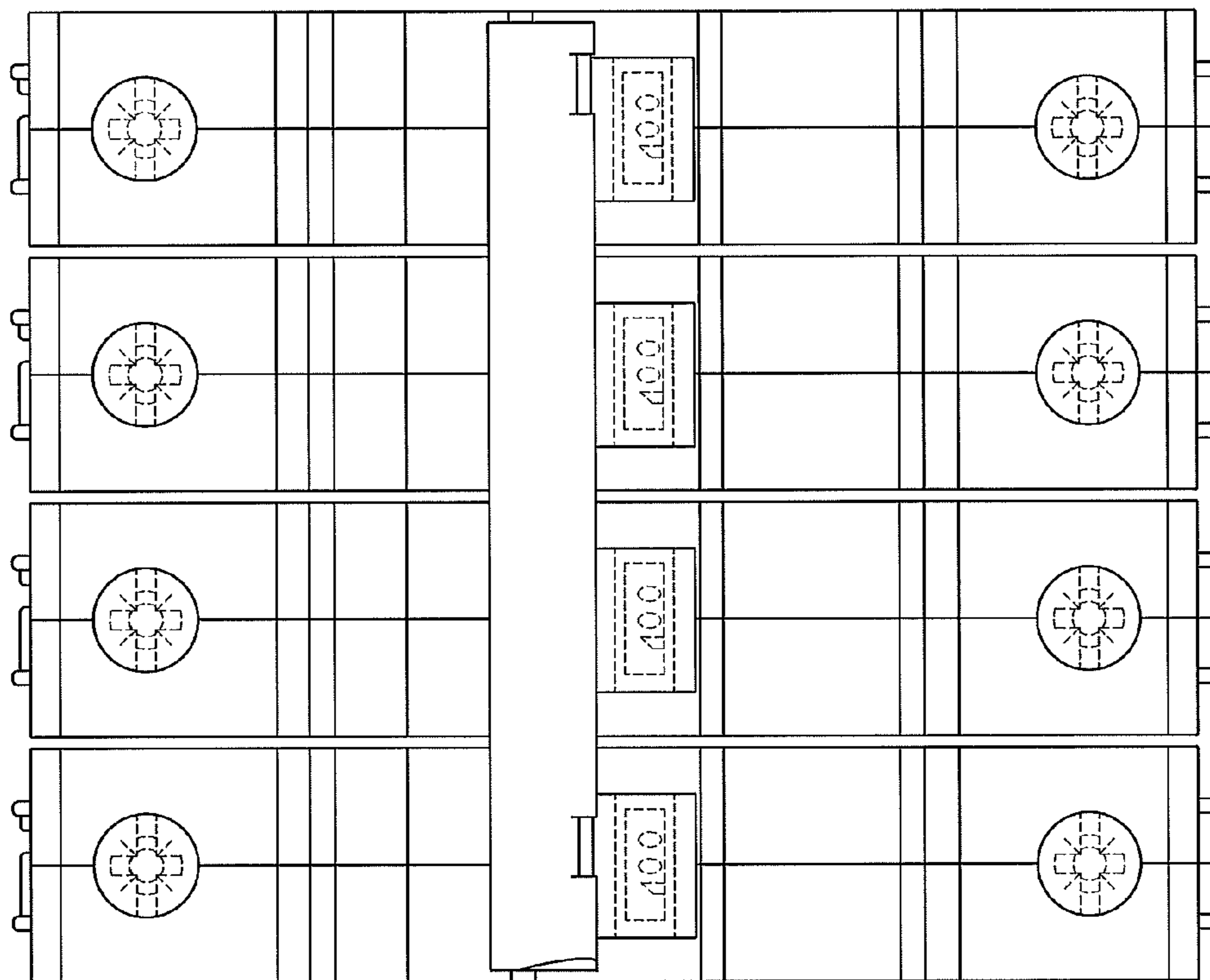
**FIG. 1**



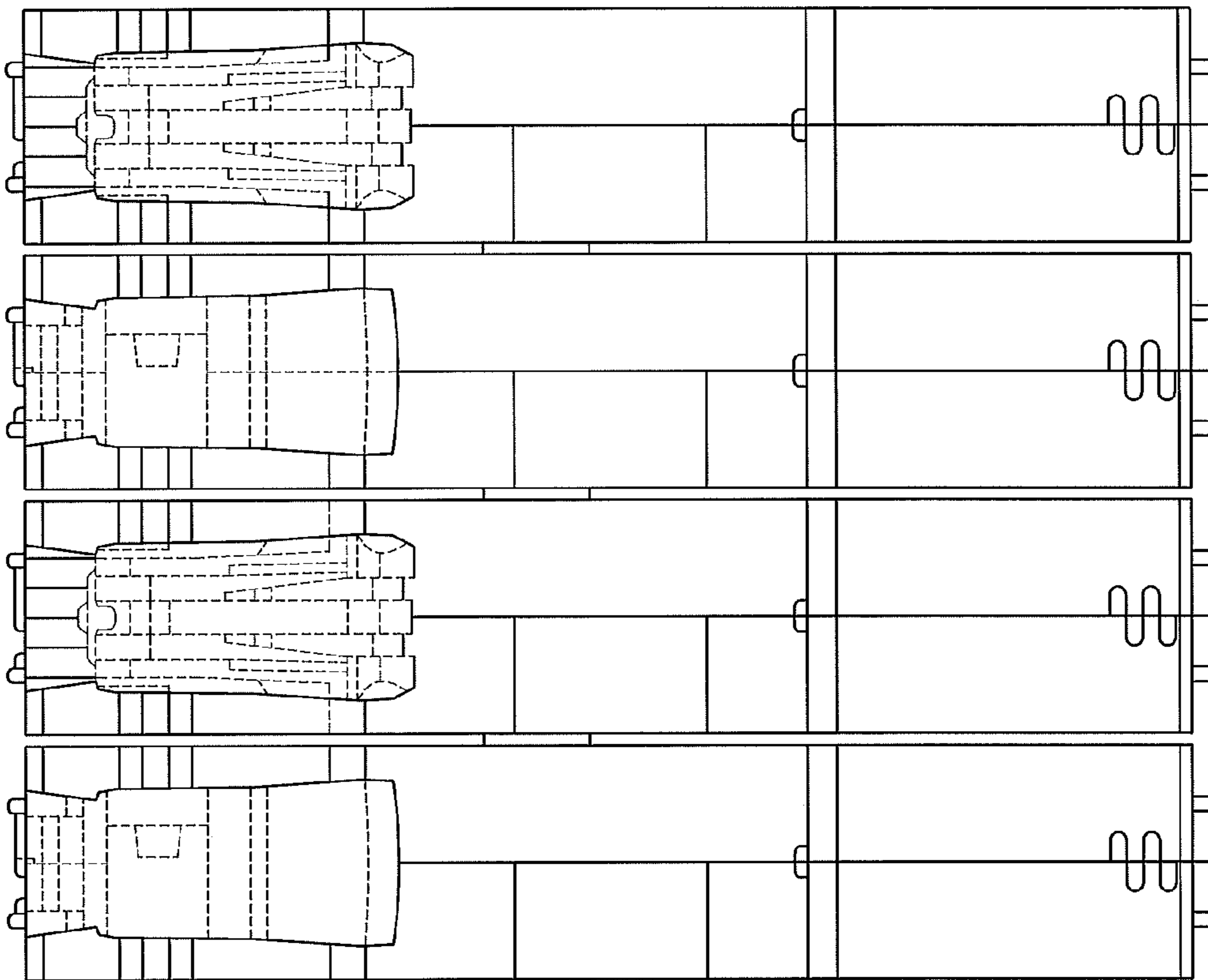
**FIG. 2**



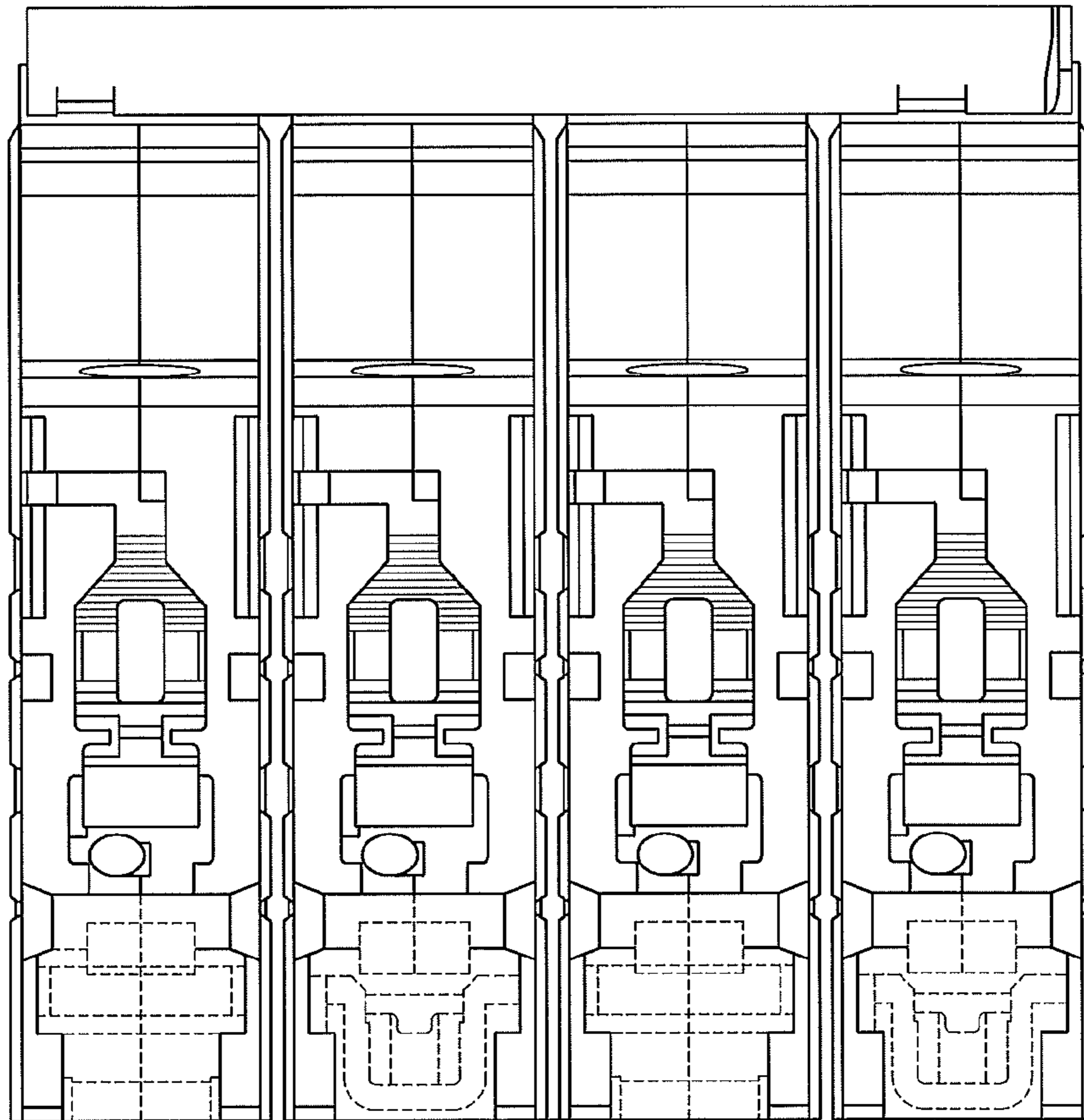
**FIG. 3**



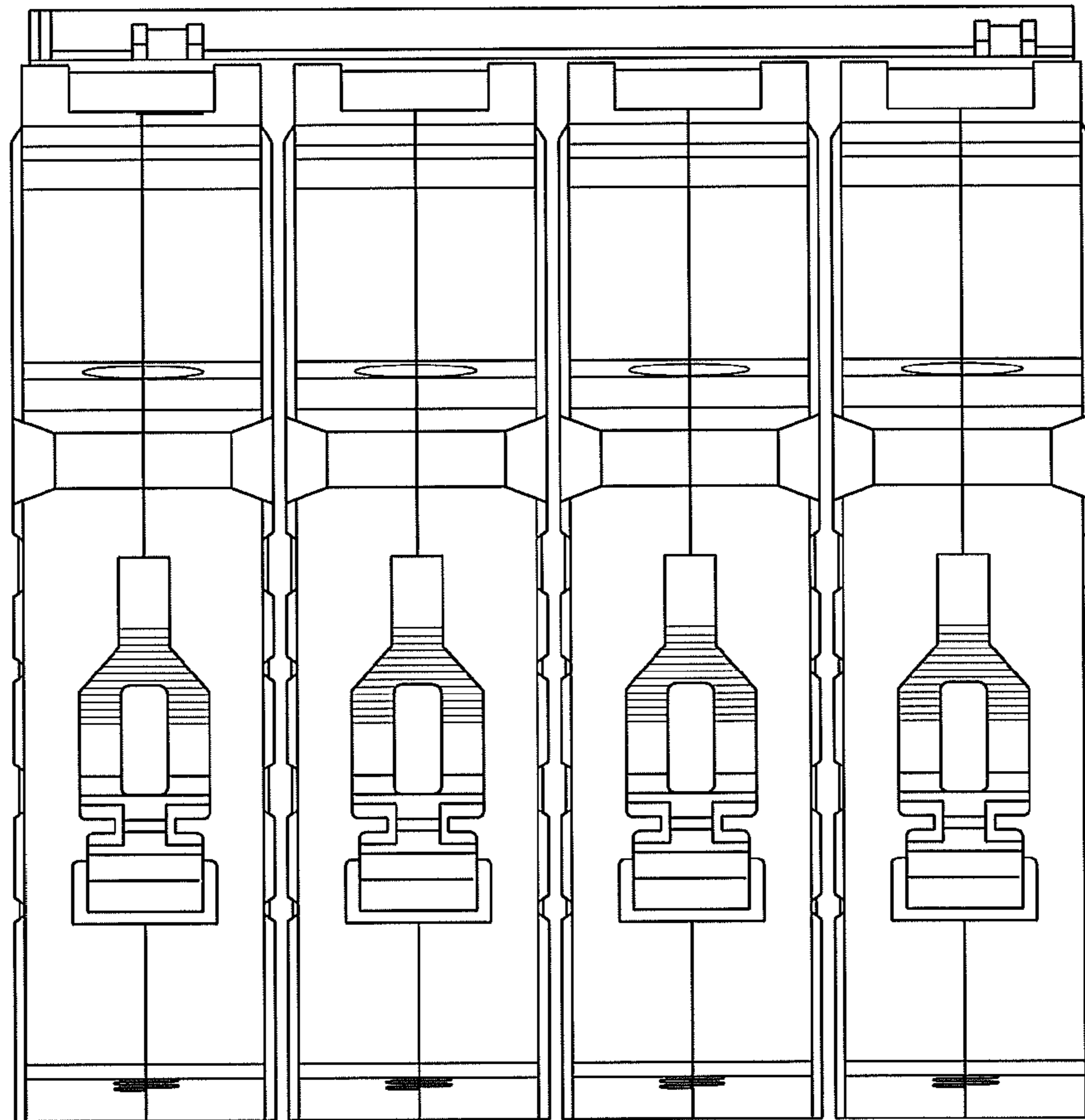
**FIG. 4**



**FIG. 5**



**FIG. 6**



**FIG. 7**