



US00D658134S

(12) **United States Design Patent**
Jokiniemi et al.

(10) **Patent No.:** **US D658,134 S**
(45) **Date of Patent:** **** Apr. 24, 2012**

(54) **DISCONNECTOR**

(75) Inventors: **Timo Jokiniemi**, Merikaarto (FI); **Harri Pollari**, Vaasa (FI); **Martti Taimisto**, Vaasa (FI); **Janne Rosenberg**, Vaasa (FI); **BaiQin Liang**, Jiangmen (CN); **JinRui Cao**, Jiangmen (CN)

(73) Assignee: **ABB Oy**, Helsinki (FI)

(**) Term: **14 Years**

(21) Appl. No.: **29/365,013**

(22) Filed: **Jul. 1, 2010**

(51) **LOC (9) Cl.** **13-03**

(52) **U.S. Cl.** **D13/158**

(58) **Field of Classification Search** D13/110,
D13/123, 147, 151, 158-177, 184; 200/5 R,
200/295, 308, 310, 313, 314, 329, 340, 1 R,
200/6 R, 5 A, 296, 302.3, 315, 330, 334,
200/339, 341, 520, 525, 553; 335/131-133,
335/196, 202, 262, 251; 439/491, 535

See application file for complete search history.

(56) **References Cited**

U.S. PATENT DOCUMENTS

D503,676 S * 4/2005 Krieger et al. D13/110
D571,303 S * 6/2008 Jokiniemi et al. D13/158
7,863,530 B2 * 1/2011 Mattlar et al. 200/50.32
D643,373 S * 8/2011 Jokiniemi et al. D13/158

* cited by examiner

Primary Examiner — Thomas Johannes

(74) *Attorney, Agent, or Firm* — Buchanan Ingersoll & Rooney PC

(57) **CLAIM**

The ornamental design for a disconnecter, as shown and described.

DESCRIPTION

FIG. 1 is bottom, rear perspective view of a switch according to our new design.

FIG. 2 is top, front perspective view thereof.

FIG. 3 is top plan view thereof.

FIG. 4 is rear elevational view thereof.

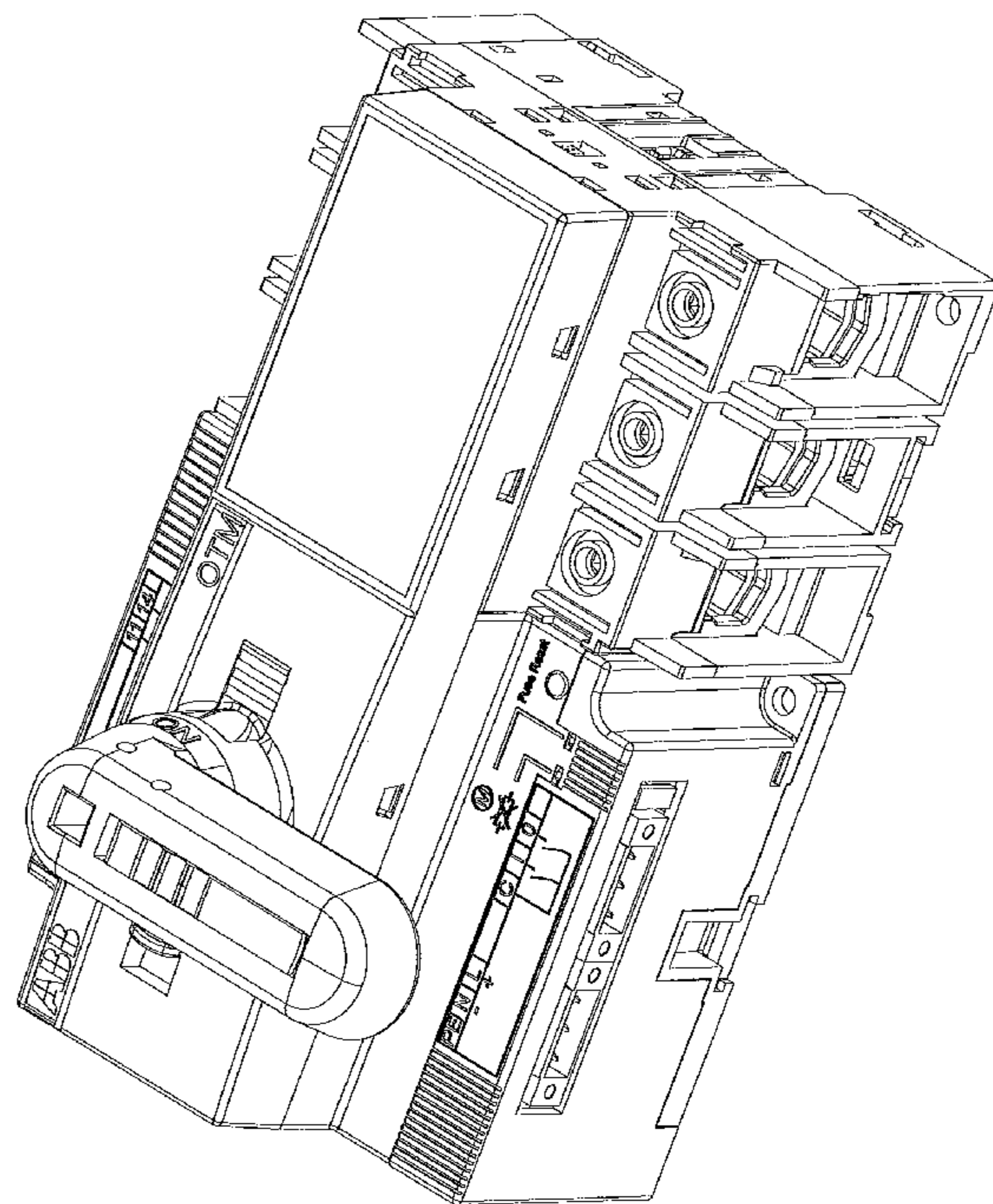
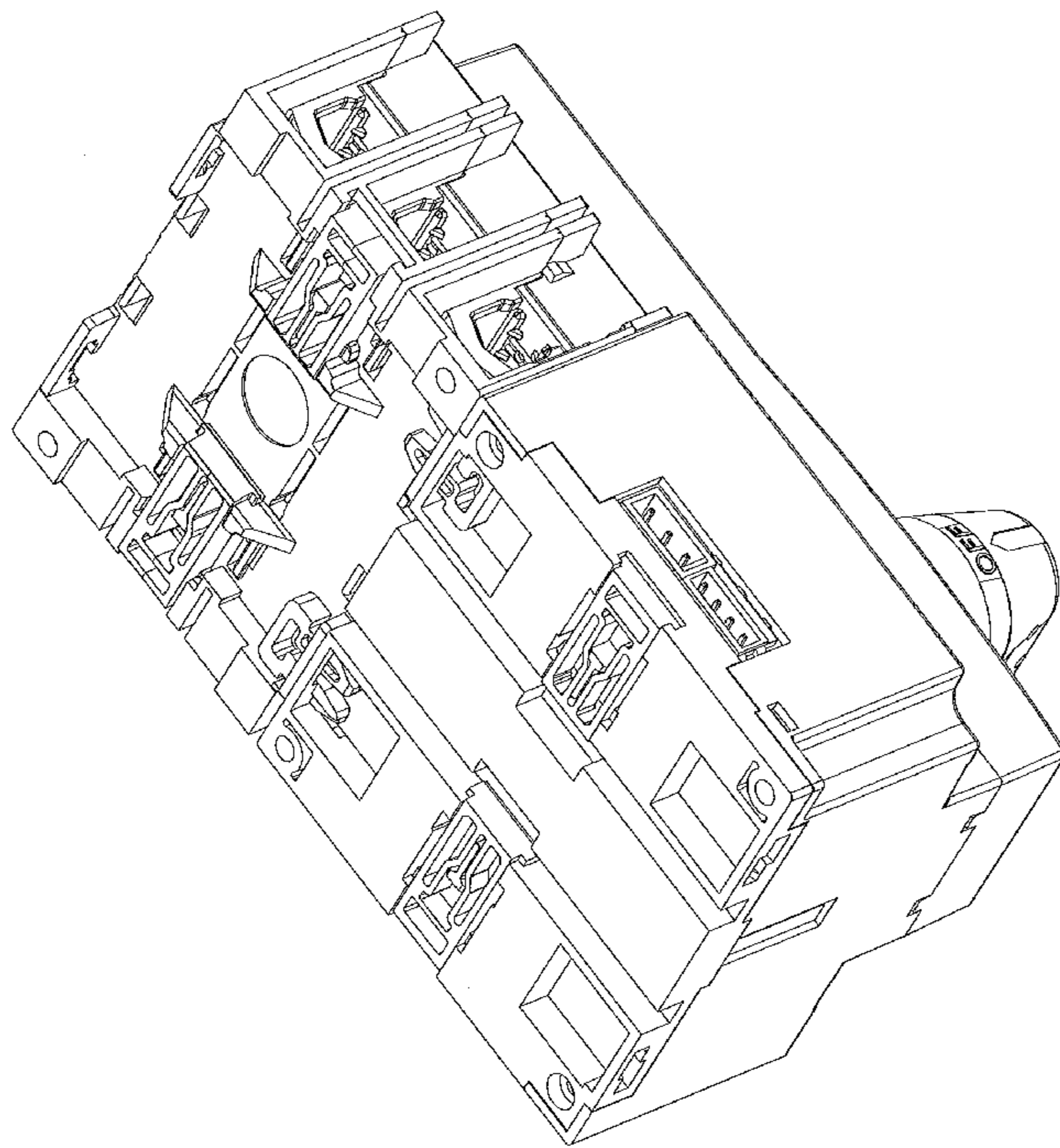
FIG. 5 is front elevational view thereof.

FIG. 6 is left side elevational view thereof; and,

FIG. 7 is right side elevational view thereof.

The broken line portion of the figure drawings is included to show unclaimed subject matter only and forms no part of the claimed design.

1 Claim, 7 Drawing Sheets



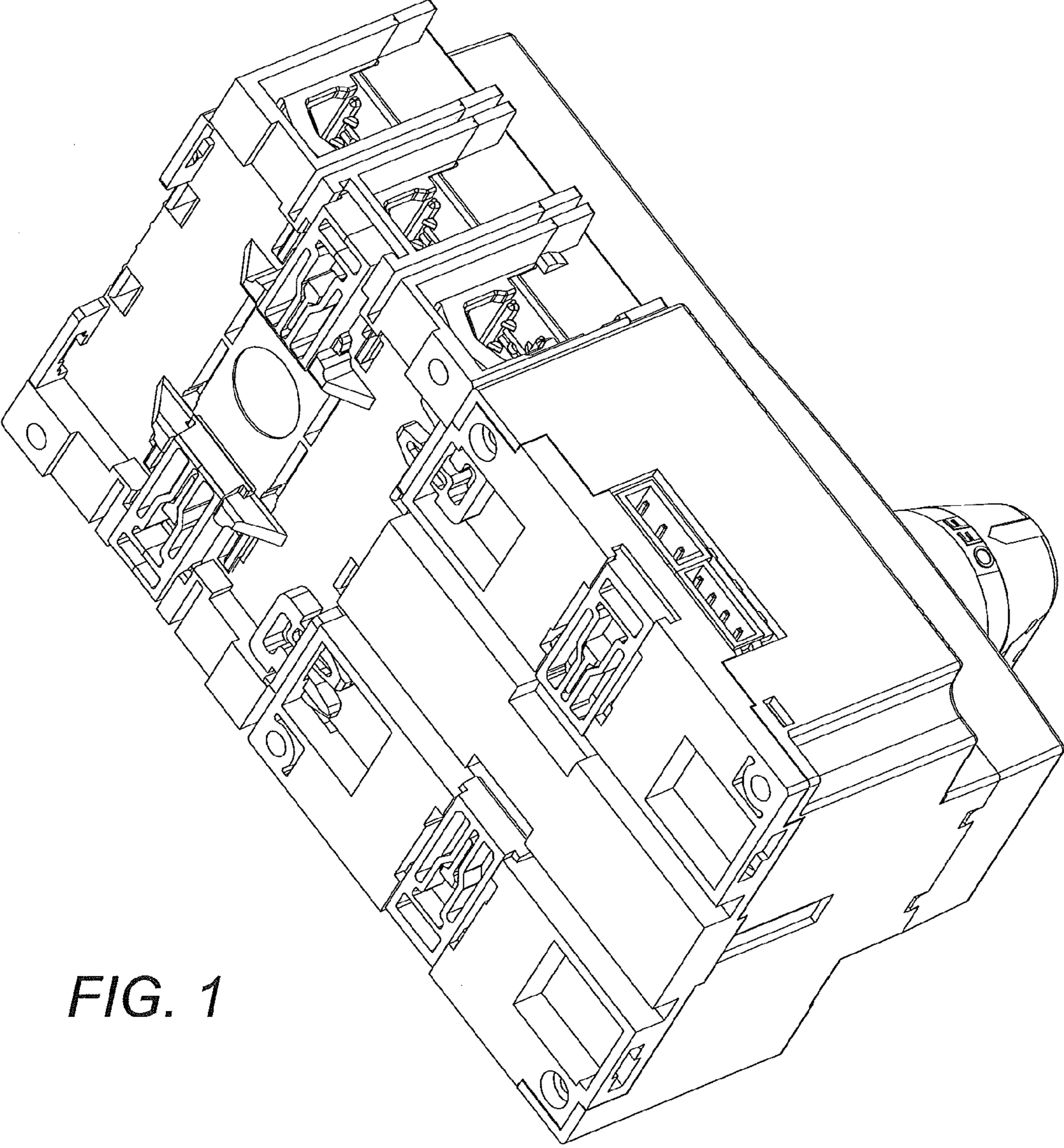


FIG. 1

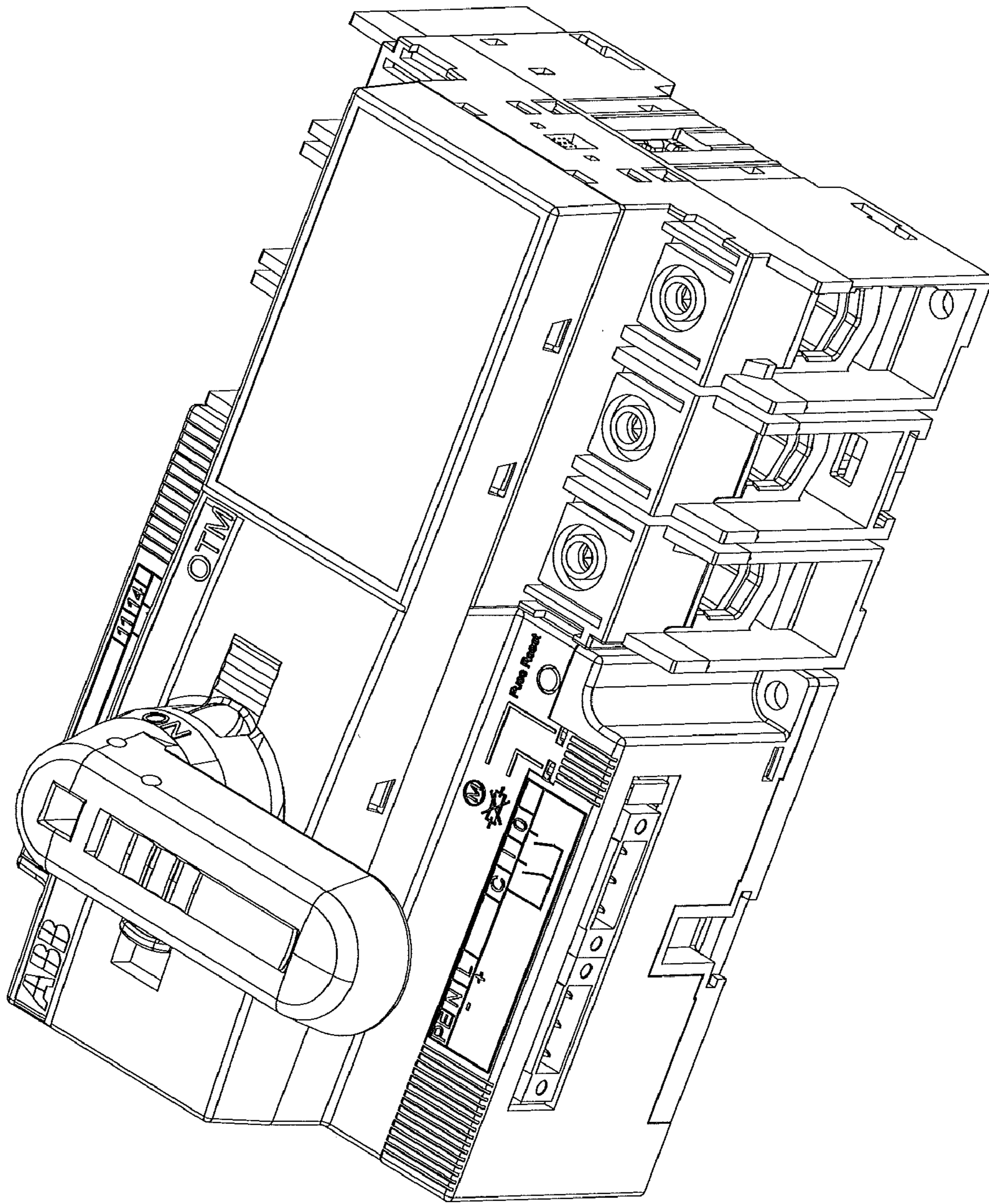


FIG. 2

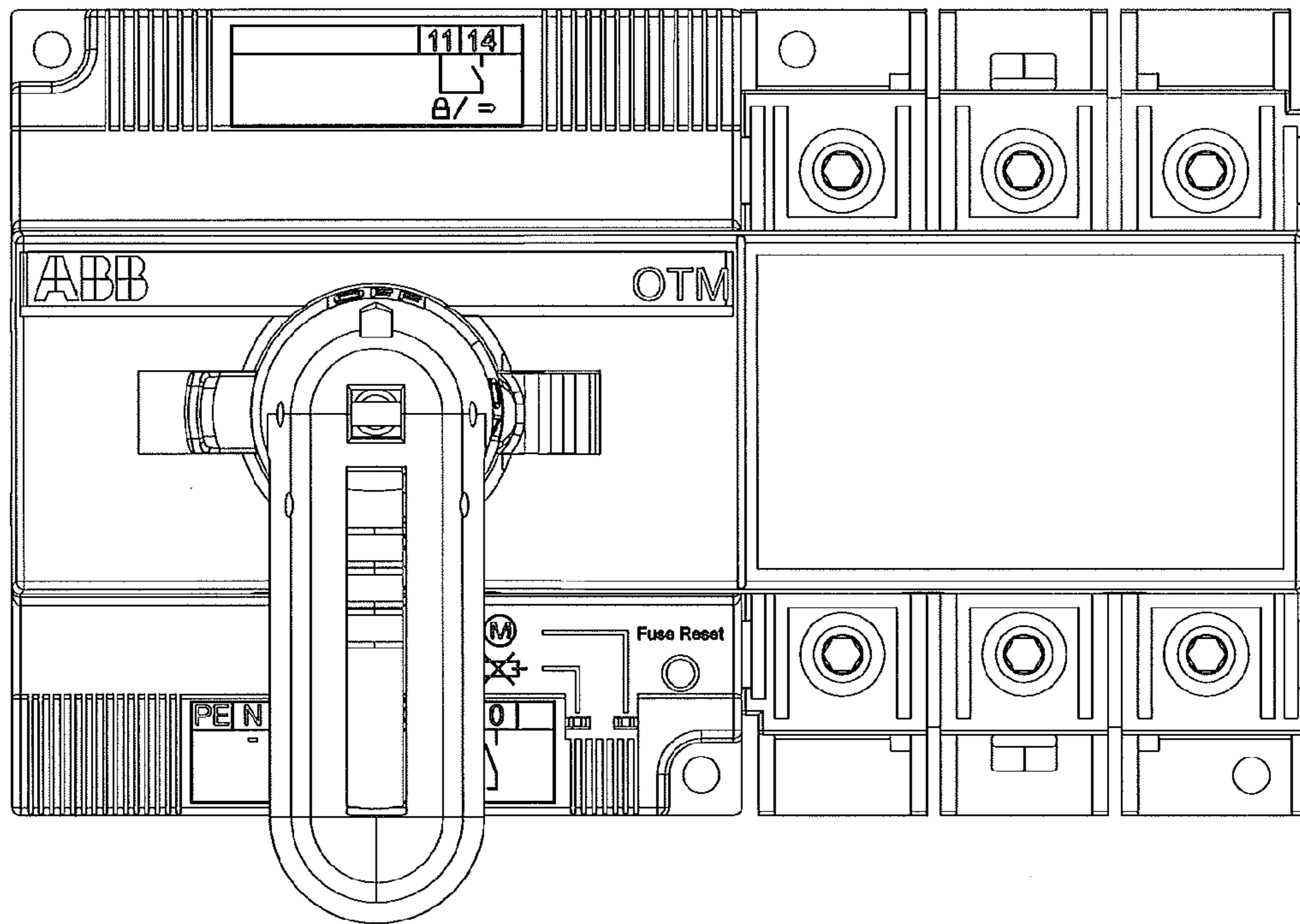


FIG. 3

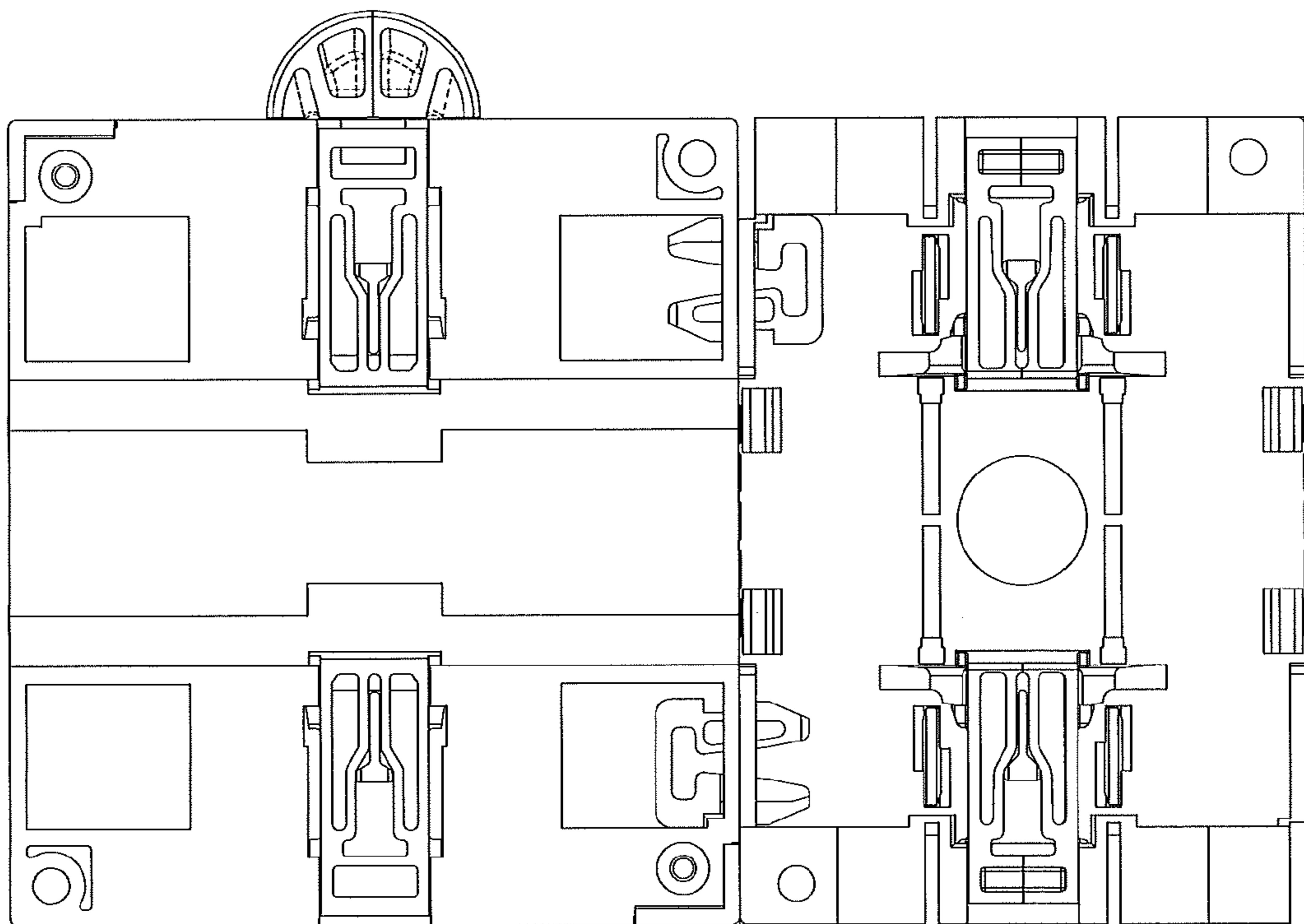


FIG. 4

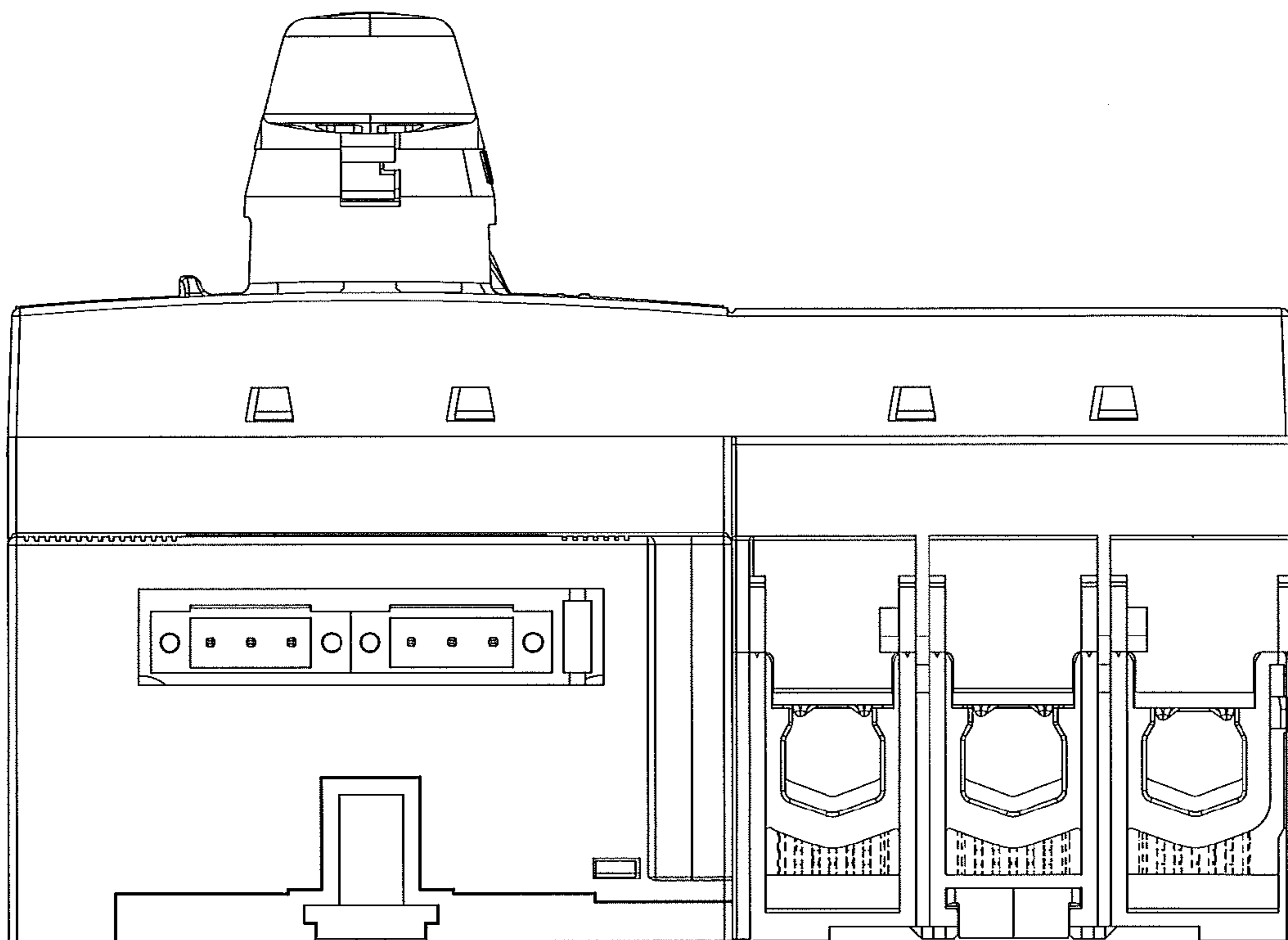


FIG. 5

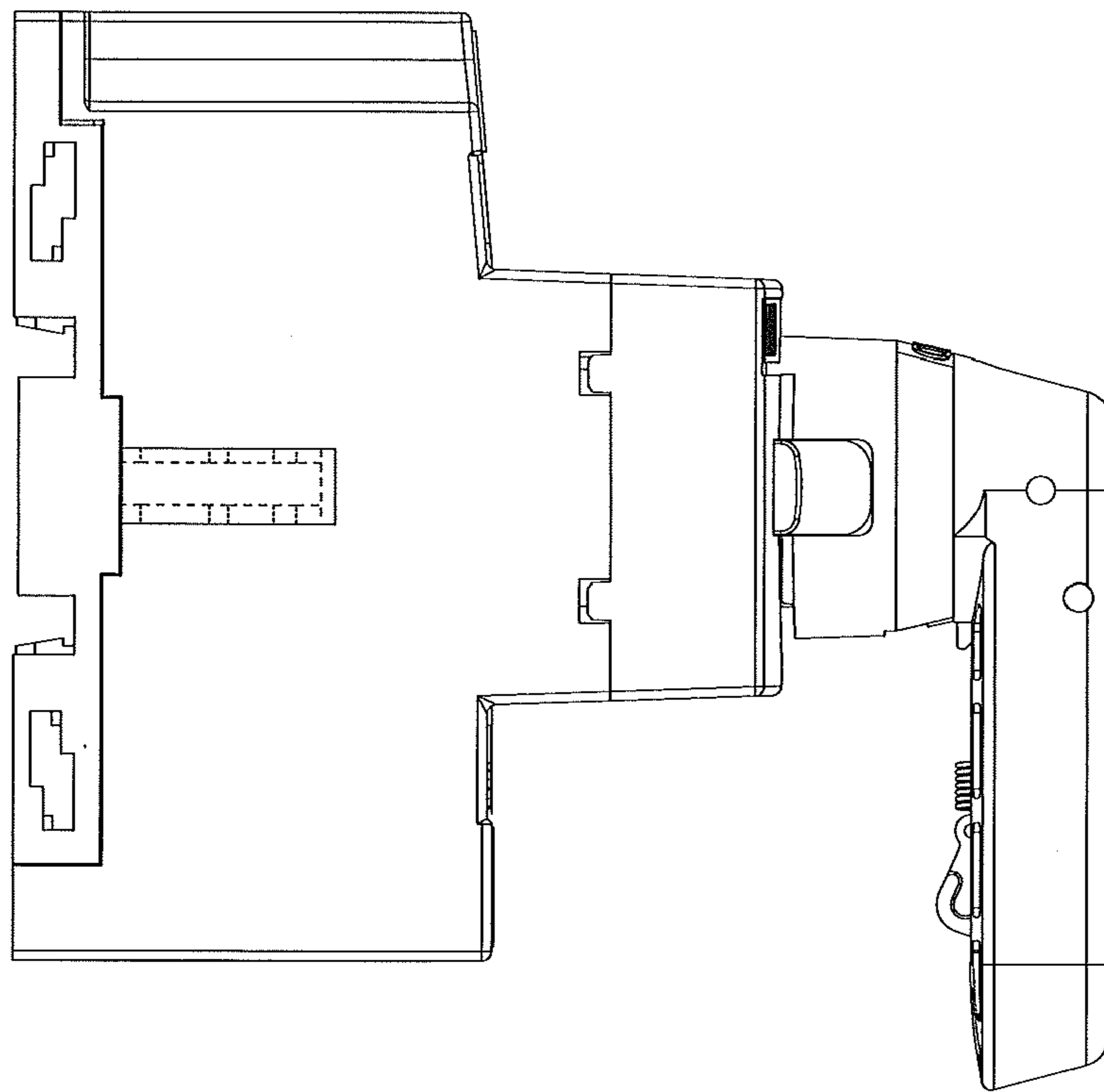


FIG. 6

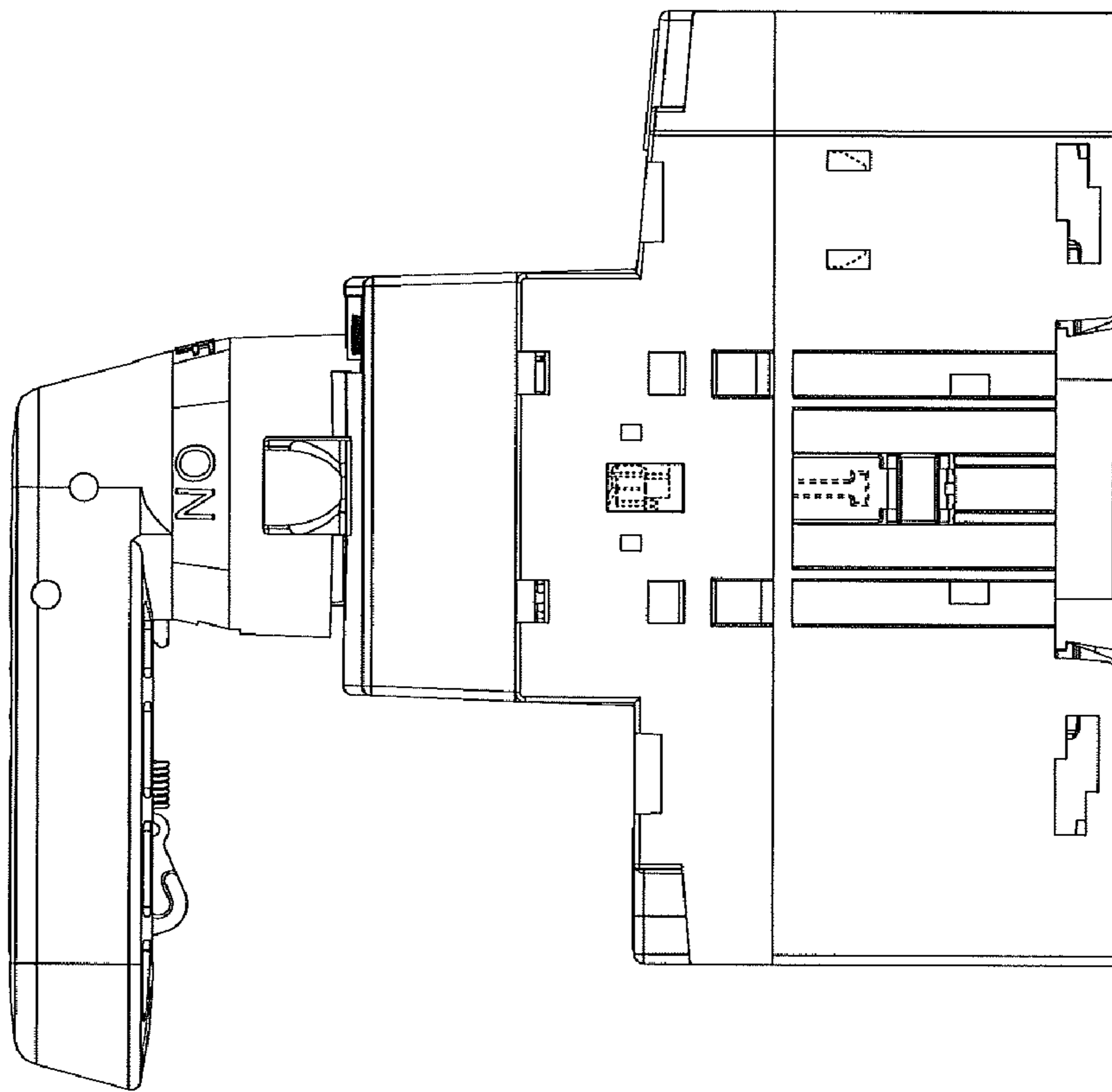


FIG. 7