



US00D658131S

(12) **United States Design Patent**  
**Chen et al.**

(10) **Patent No.:** **US D658,131 S**

(45) **Date of Patent:** **\*\* Apr. 24, 2012**

(54) **FACE PLATE WITH USB PORTS**

(75) Inventors: **Henry Chen**, Arcadia, CA (US);  
**Jocelyn LayCheng Modica**, Hacienda Heights, CA (US); **Jackson Chun Chan**, Diamond Bar, CA (US)

(73) Assignee: **Ever Win International Corporation**, City of Industry, CA (US)

(\*\*) Term: **14 Years**

(21) Appl. No.: **29/349,883**

(22) Filed: **May 13, 2010**

(51) **LOC (9) Cl.** ..... **13-03**

(52) **U.S. Cl.** ..... **D13/156**

(58) **Field of Classification Search** ..... D13/133,  
D13/147, 154, 156, 184, 199; D14/432,  
D14/435.1, 440, 447, 483, 484; D8/352,  
D8/353; 174/66, 67, 520, 549; 439/135,  
439/149, 536, 538, 540.1, 542, 544, 567

See application file for complete search history.

(56) **References Cited**

**U.S. PATENT DOCUMENTS**

D359,725 S *	6/1995	King, Sr.	.....	D13/156
D385,538 S *	10/1997	Tatenuma	.....	D14/483
D473,447 S *	4/2003	Luu	.....	D8/352
D506,382 S *	6/2005	McIntosh	.....	D8/352
D633,775 S *	3/2011	Chen et al.	.....	D8/352
D633,776 S *	3/2011	Chan	.....	D8/352
D639,141 S *	6/2011	Chen et al.	.....	D8/353

**OTHER PUBLICATIONS**

Bob Formisano, About.com Guide—Electrical Boxes 101—Lighting, Ceiling Fan, Junction Boxes [http://homerepair.about.com/od/electricalrepair/ss/elec\\_box\\_ltg\\_7.htm](http://homerepair.about.com/od/electricalrepair/ss/elec_box_ltg_7.htm).

Hubbell Round Floor Box Flush Duplex Cover Without Flange (SKU # S3925) [http://www.hubbellpremiwiring.com/catalog/model\\_S3925.htm](http://www.hubbellpremiwiring.com/catalog/model_S3925.htm).

Leviton Item of Choice: 5042 <http://www.buylevitoninstead.com/Hubbell-Wiring-HBL5282.htm>.

Panduit Round Faceplates (Model # CFFPR1-X) [http://www.twacomm.com/catalog/model\\_CFFPR1-X.htm?popup=1](http://www.twacomm.com/catalog/model_CFFPR1-X.htm?popup=1).

\* cited by examiner

*Primary Examiner* — Daniel Bui

(74) *Attorney, Agent, or Firm* — Joe Nieh

(57) **CLAIM**

The ornamental design for a face plate with USB ports, as shown and described.

**DESCRIPTION**

FIG. 1 is a perspective view of a face plate with USB ports showing my new design;

FIG. 2 is a rear perspective view thereof;

FIG. 3 is a top view thereof;

FIG. 4 is a front view thereof;

FIG. 5 is a left side view thereof;

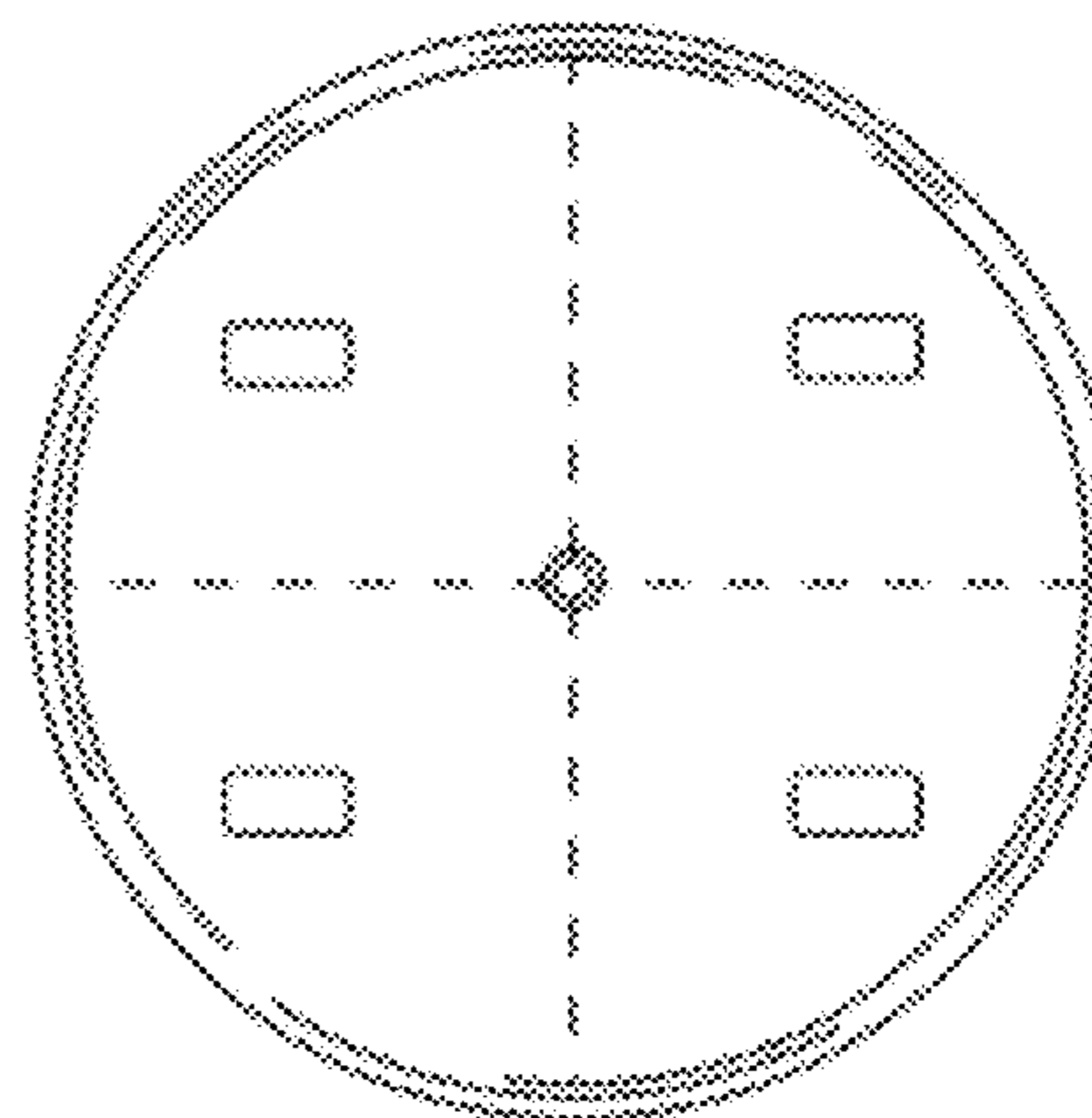
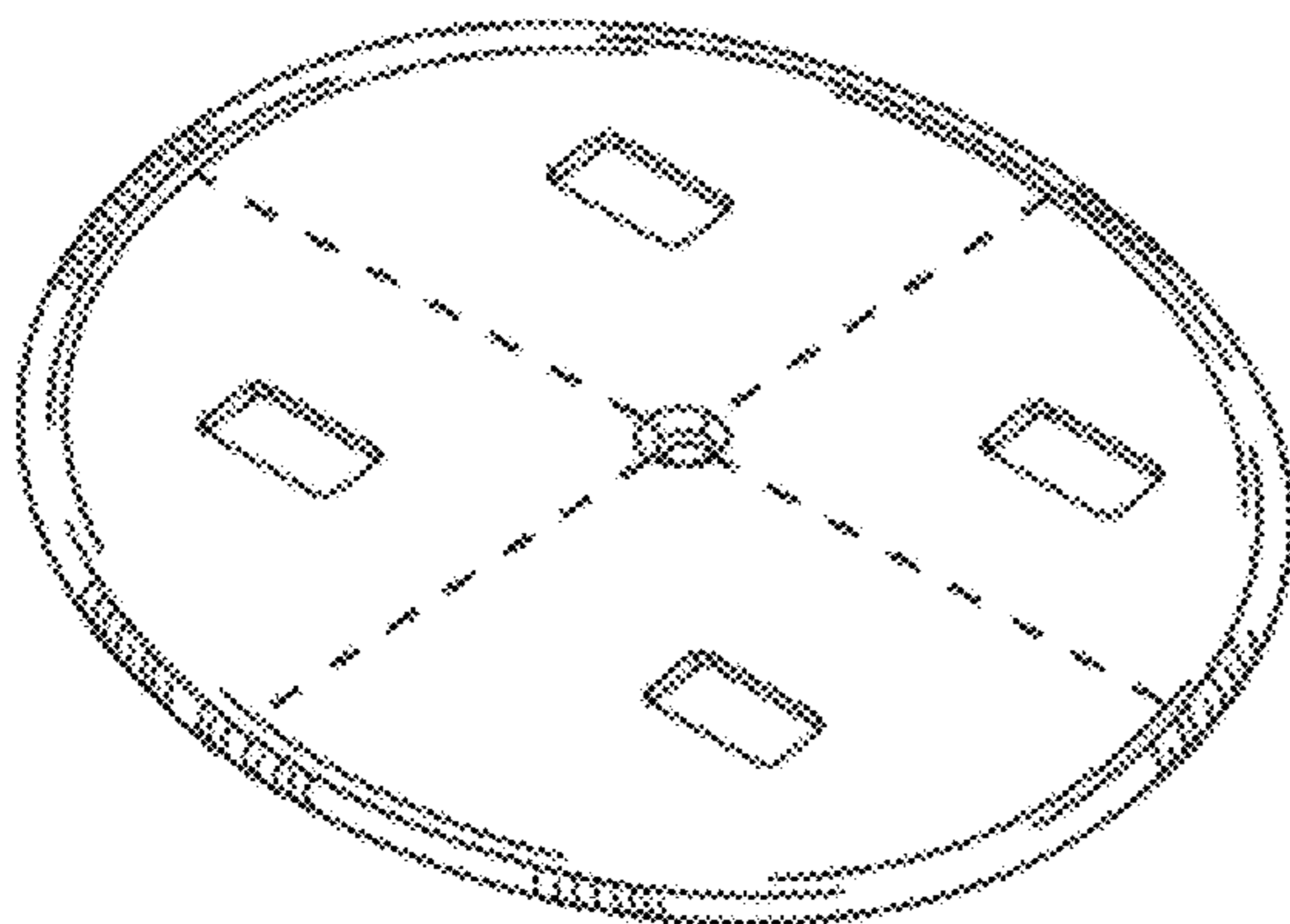
FIG. 6 is a right side view thereof;

FIG. 7 is a bottom view thereof; and,

FIG. 8 is a rear view thereof.

The broken line shown in the figure drawings is included for the purpose of illustrating environment and forms no part of the claimed design.

**1 Claim, 2 Drawing Sheets**



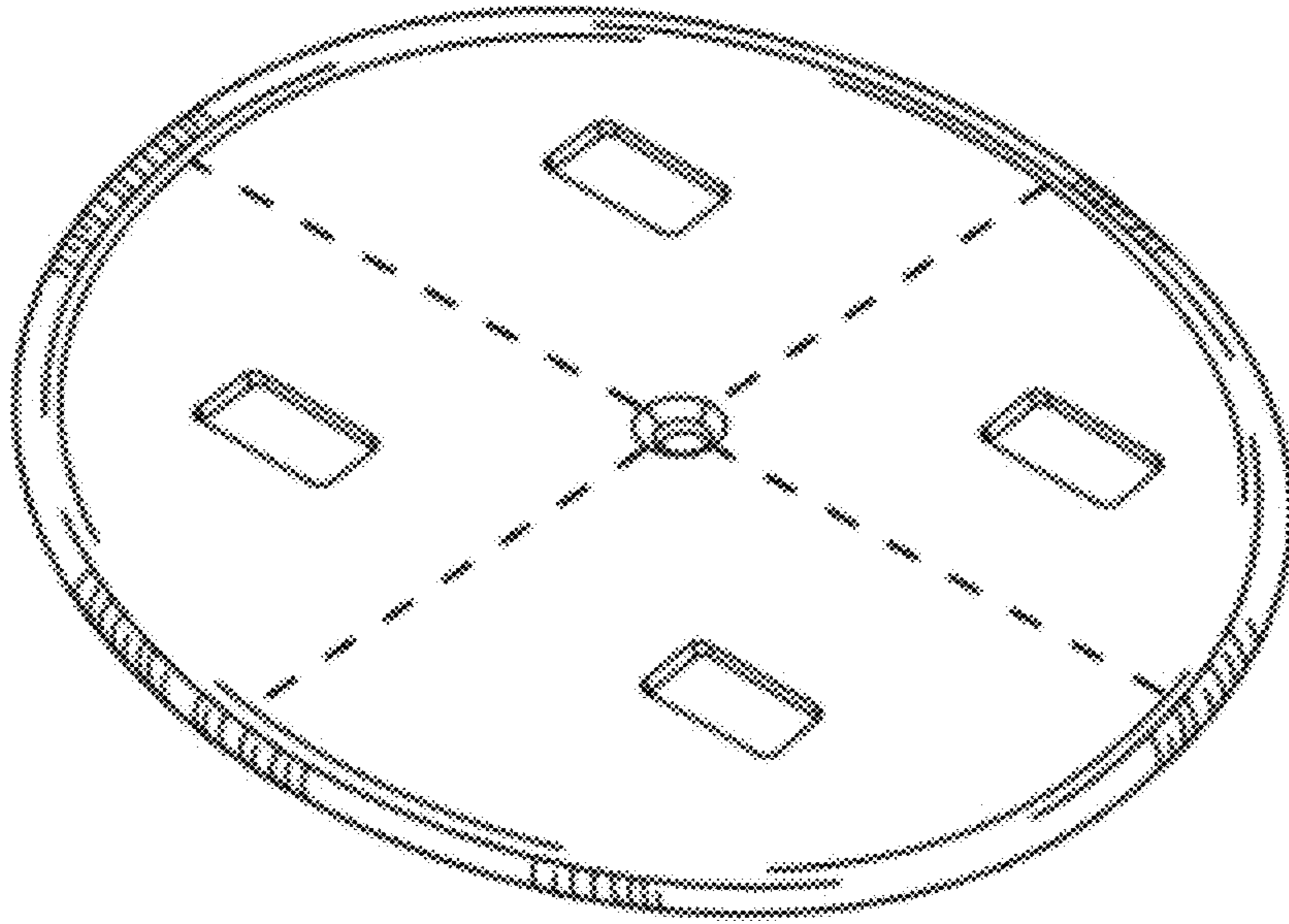


Fig. 1

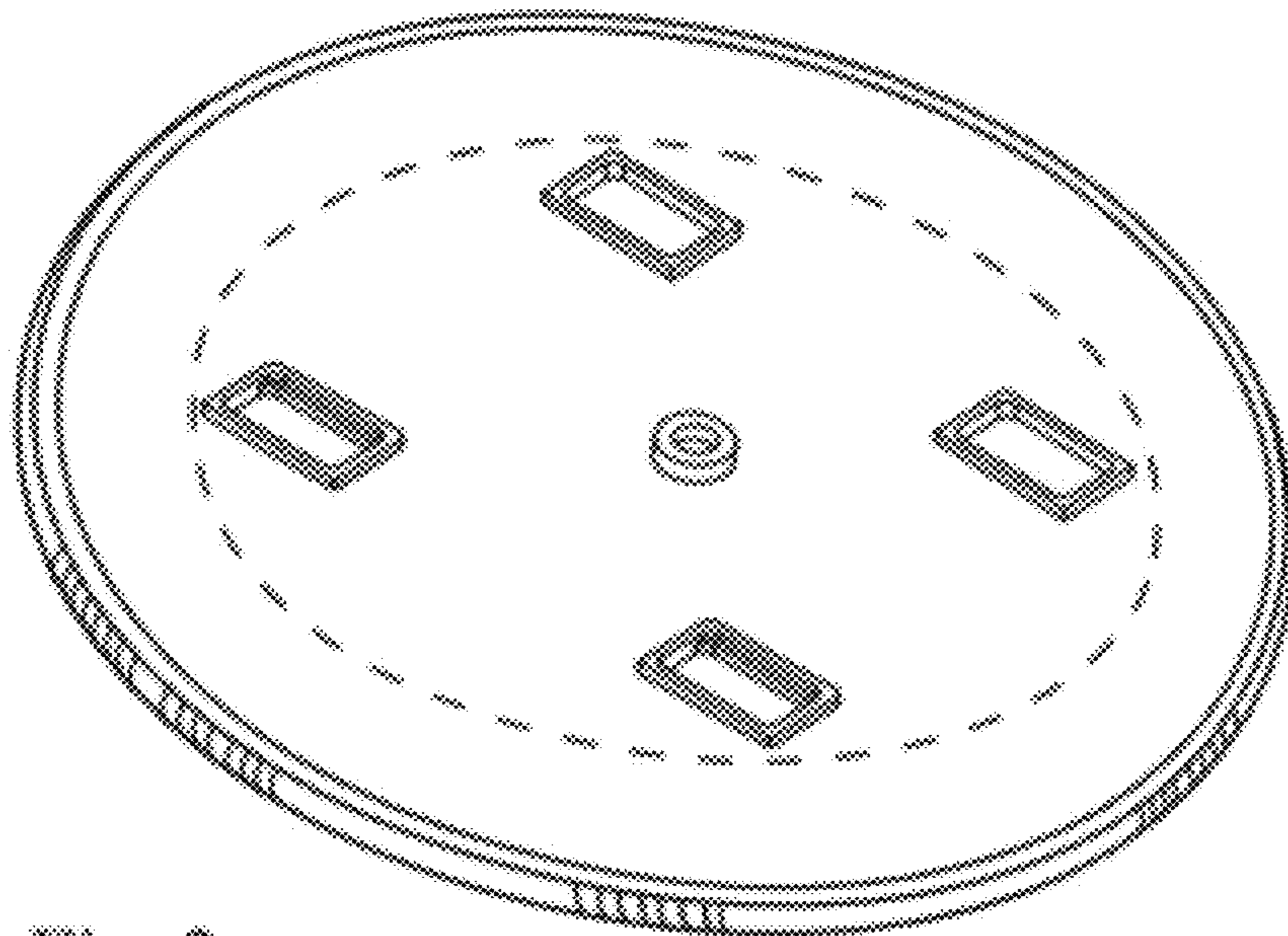


Fig. 2

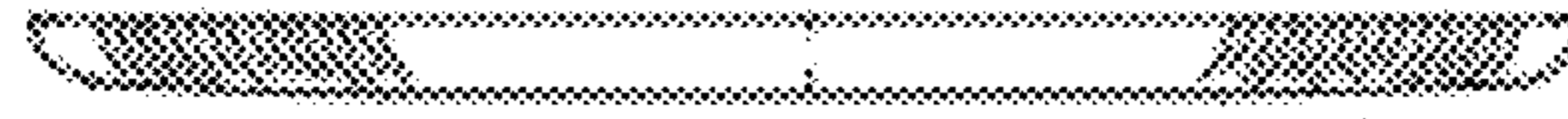


Fig. 3



Fig. 5

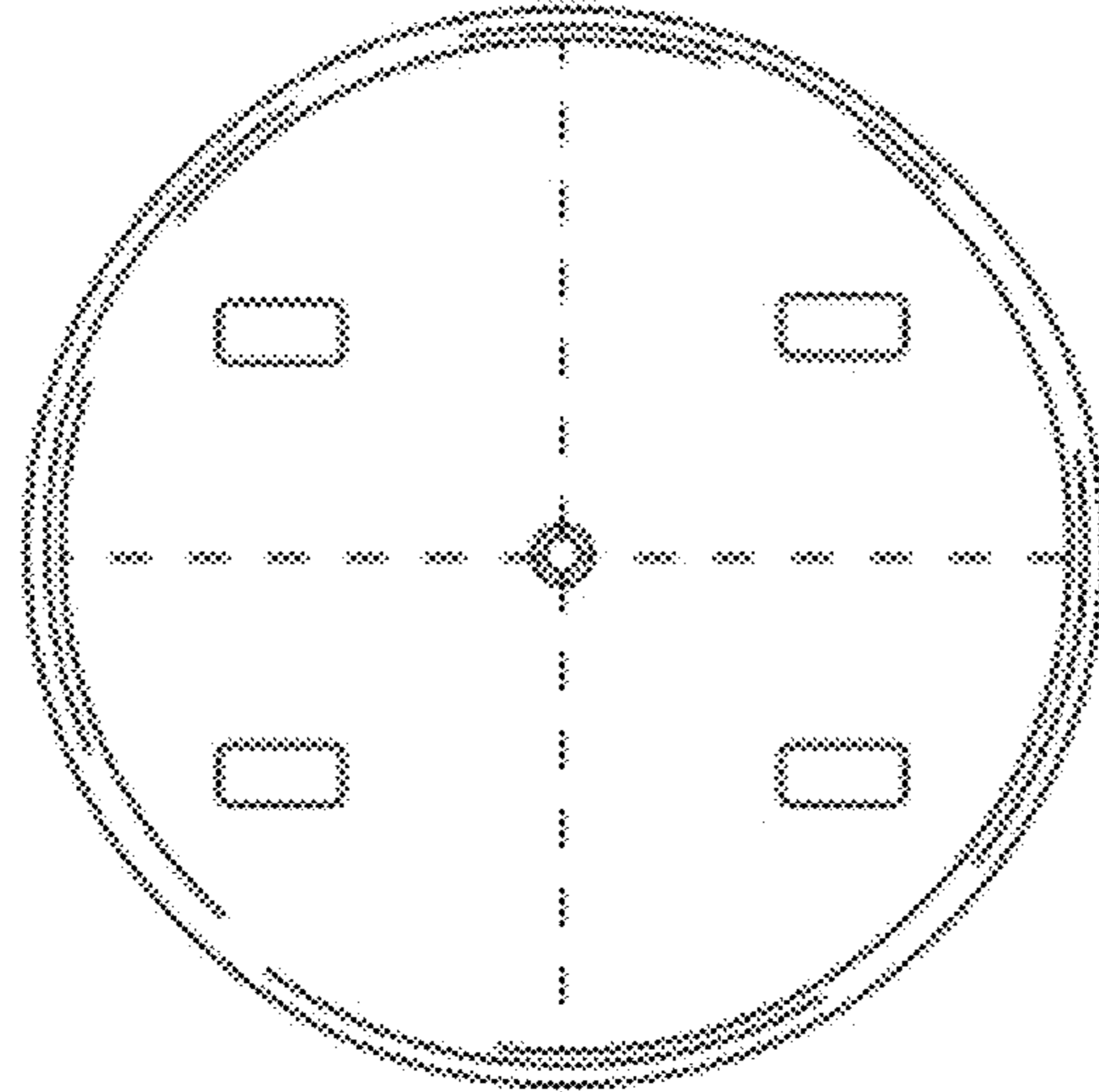


Fig. 4



Fig. 6

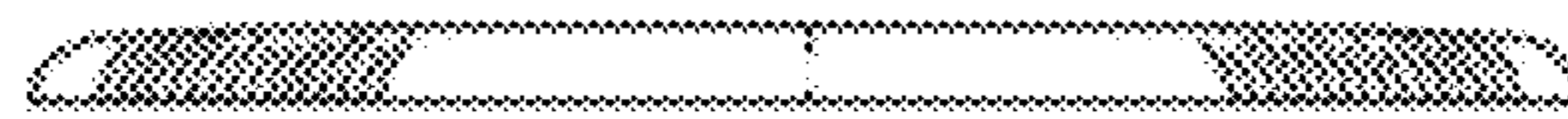


Fig. 7

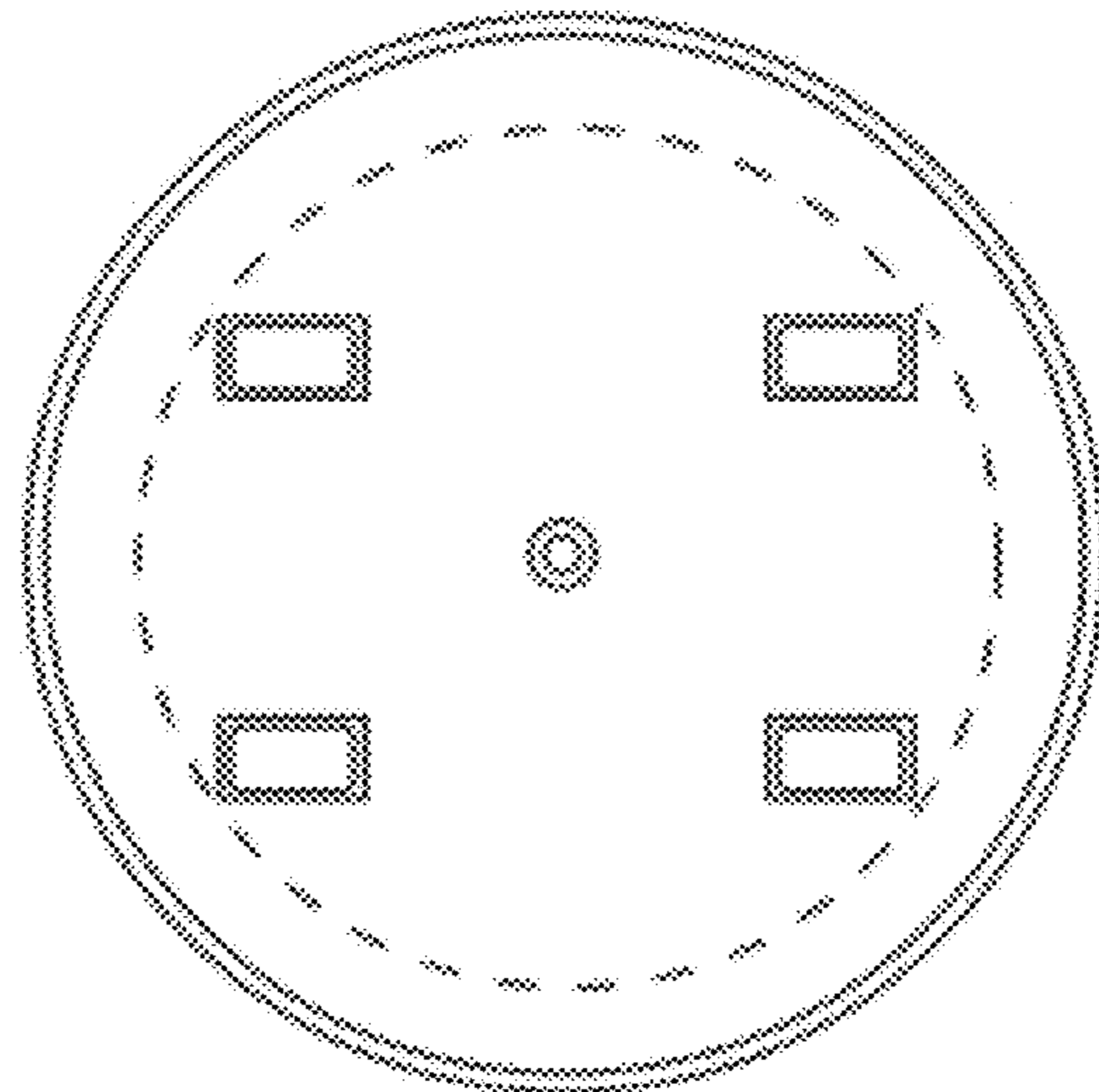


Fig. 8