



US00D658130S

(12) **United States Design Patent**
Bodwell et al.

(10) **Patent No.:** **US D658,130 S**
(45) **Date of Patent:** **** Apr. 24, 2012**

(54) **MULTI-PRONG FLUIDIC CONNECTOR**

(75) Inventors: **Jesse T. Bodwell**, Manchester, NH (US);
Kevin L. Grant, Litchfield, NH (US);
James D. Dale, Nashua, NH (US)

(73) Assignee: **DEKA Products Limited Partnership**,
Manchester, NH (US)

(**) Term: **14 Years**

(21) Appl. No.: **29/355,297**

(22) Filed: **Feb. 4, 2010**

Related U.S. Application Data

(62) Division of application No. 29/323,610, filed on Aug. 27, 2008, now Pat. No. Des. 612,336.

(51) **LOC (9) Cl.** **13-03**

(52) **U.S. Cl.** **D13/154**

(58) **Field of Classification Search** D13/133,
D13/138.1, 147, 154-156, 184; 439/357,
439/358, 447, 483, 586, 578, 606-610, 668-669,
439/678-676, 889, 892

See application file for complete search history.

(56) **References Cited**

U.S. PATENT DOCUMENTS

4,659,166 A * 4/1987 Morningstar et al. 439/580
(Continued)

OTHER PUBLICATIONS

“Custom Coupling and Connector Design From Colder Products Company,” 1 page, <http://www.colder.com/Products/customproducts/tabid/54/default.aspx> (accessed Jul. 16, 2009).

Primary Examiner — Nanda Bondade

(74) *Attorney, Agent, or Firm* — Wolf, Greenfield & Sacks, P.C.

(57) **CLAIM**

The ornamental design for multi-prong fluidic connector, as shown and described.

DESCRIPTION

FIG. 1 is a top, front, left side perspective view of a multi-prong fluidic connector;

FIG. 2 is a front elevational view thereof;

FIG. 3 is a rear elevational view thereof;

FIG. 4 is a right side elevational view thereof, the left side view being a mirror image;

FIG. 5 is a top plan view thereof;

FIG. 6 is a bottom plan view thereof;

FIG. 7 is a top, front, left side perspective view of the male connector of the multi-prong fluidic connector, shown separately for clarity of illustration;

FIG. 8 is a front elevational view of FIG. 7;

FIG. 9 is a rear elevational view of FIG. 7;

FIG. 10 is a right side elevational view of FIG. 7, the left side view being a mirror image;

FIG. 11 is a top plan view of FIG. 7;

FIG. 12 is a bottom plan view of FIG. 7;

FIG. 13 is a top, front, left side perspective view of the female connector of the multi-prong fluidic connector, shown separately for clarity of illustration;

FIG. 14 is a front elevational view of FIG. 13;

FIG. 15 is a rear elevational view of FIG. 13;

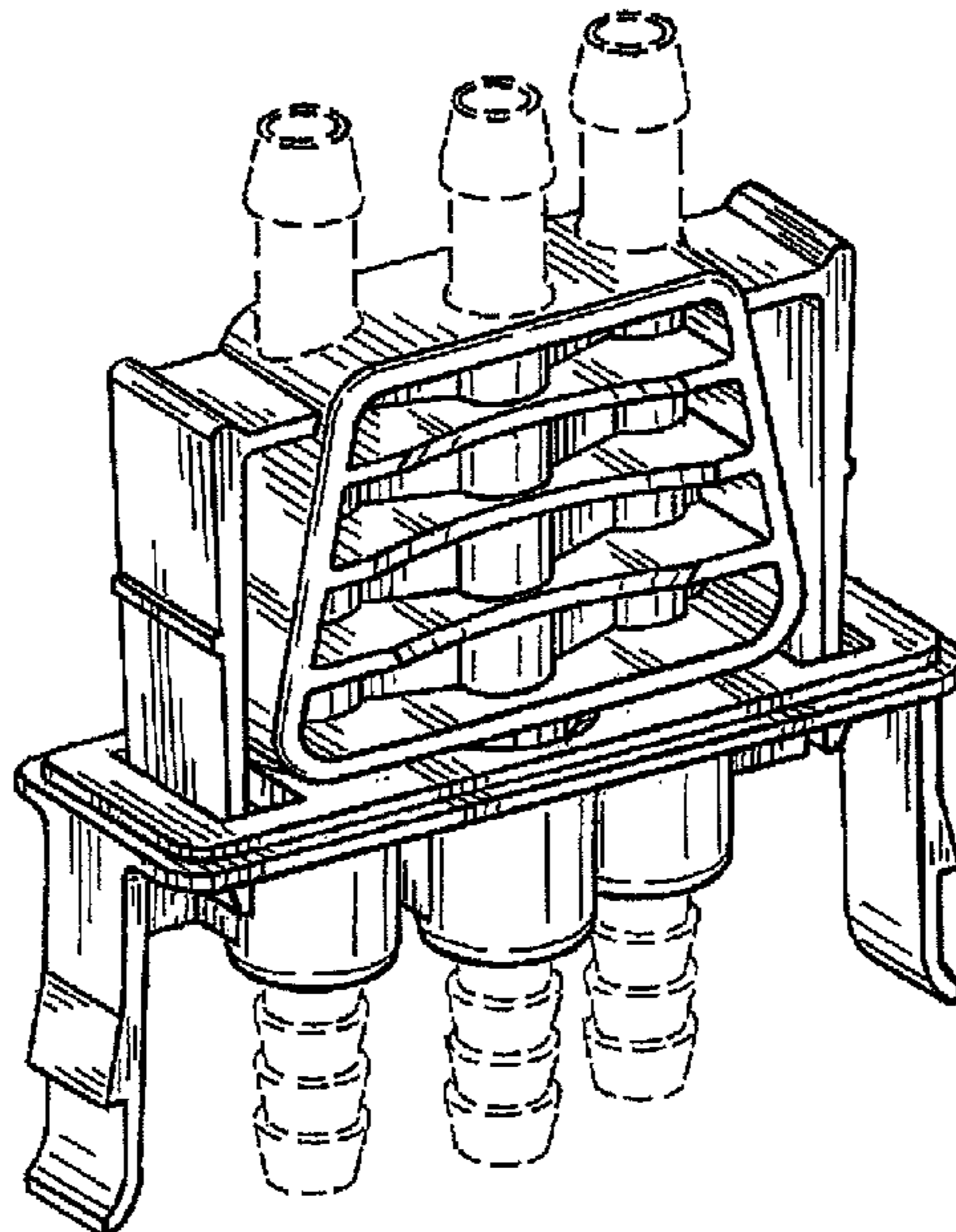
FIG. 16 is a right side elevational view of FIG. 13, the left side view being a mirror image;

FIG. 17 is a top plan view of FIG. 13; and,

FIG. 18 is a bottom plan view of FIG. 13.

The broken line showing on the drawing disclosure is for illustrative purposes only and forms no part of the claimed design.

1 Claim, 9 Drawing Sheets



US D658,130 S

Page 2

U.S. PATENT DOCUMENTS

D406,819 S *	3/1999	Taguchi	D13/154	D624,180 S	9/2010	Grant
D429,218 S *	8/2000	Lee	D13/147	D636,077 S	4/2011	Dale et al.
7,255,590 B2 *	8/2007	Schremmer et al.	439/404			

* cited by examiner

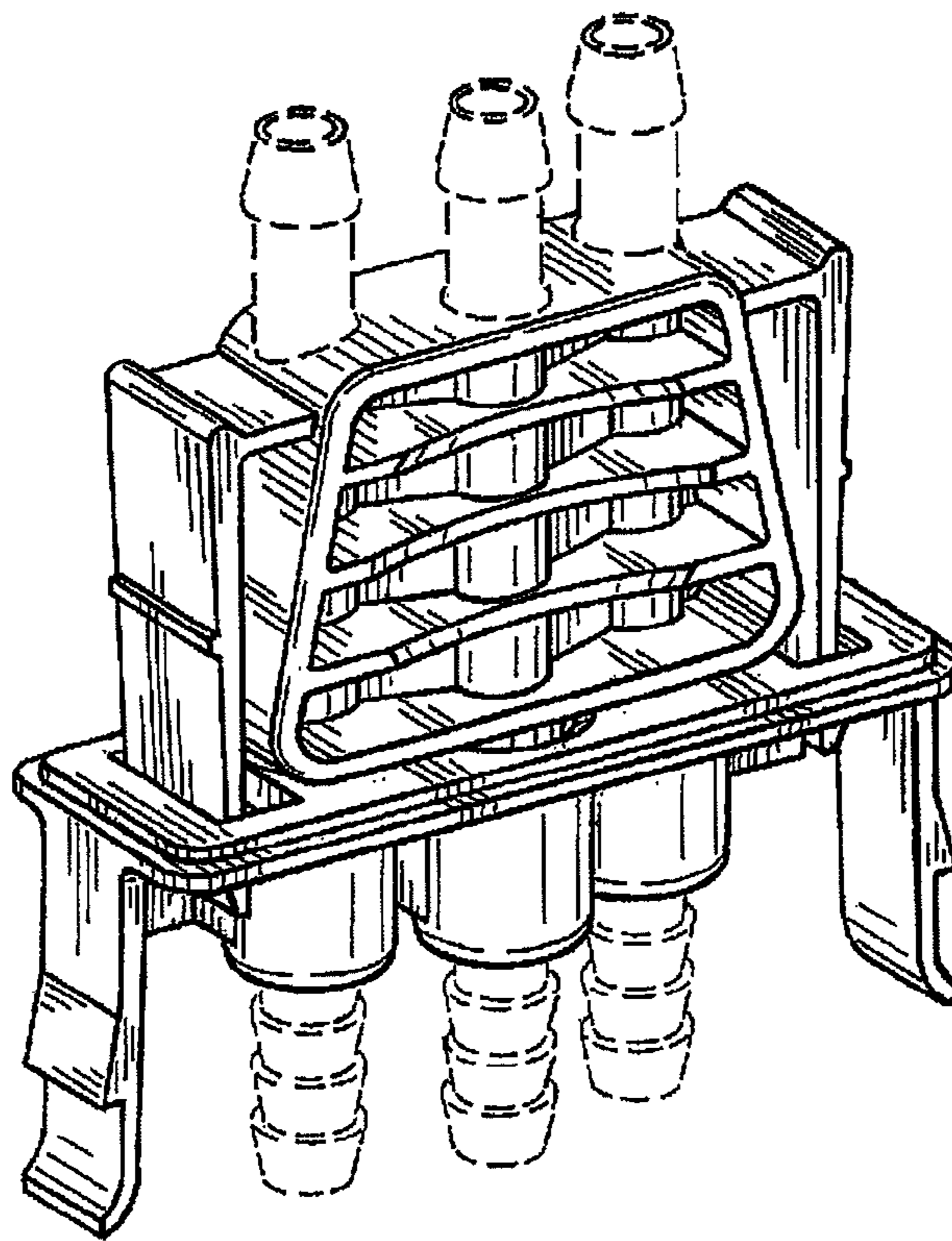


Fig. 1

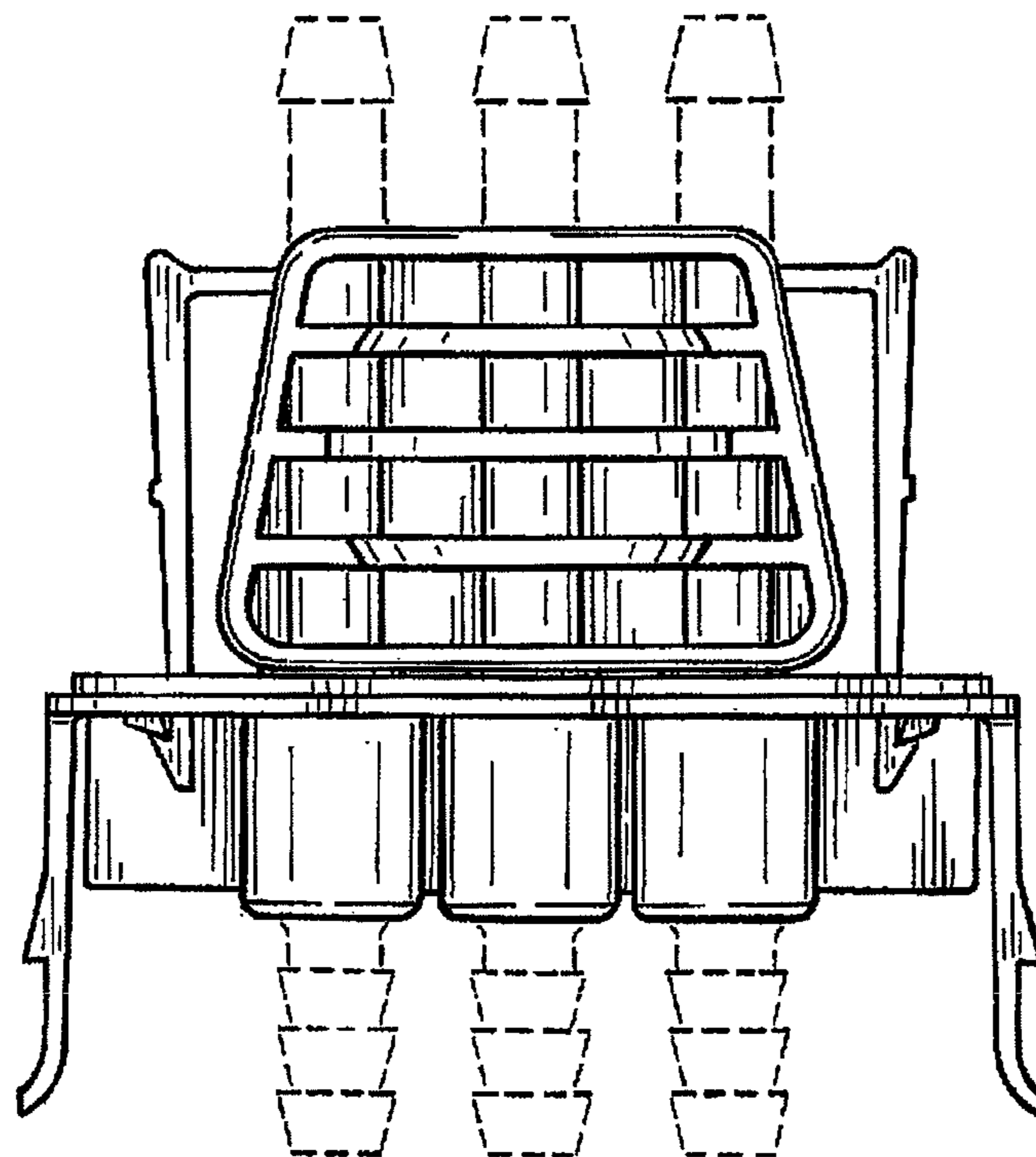


Fig. 2

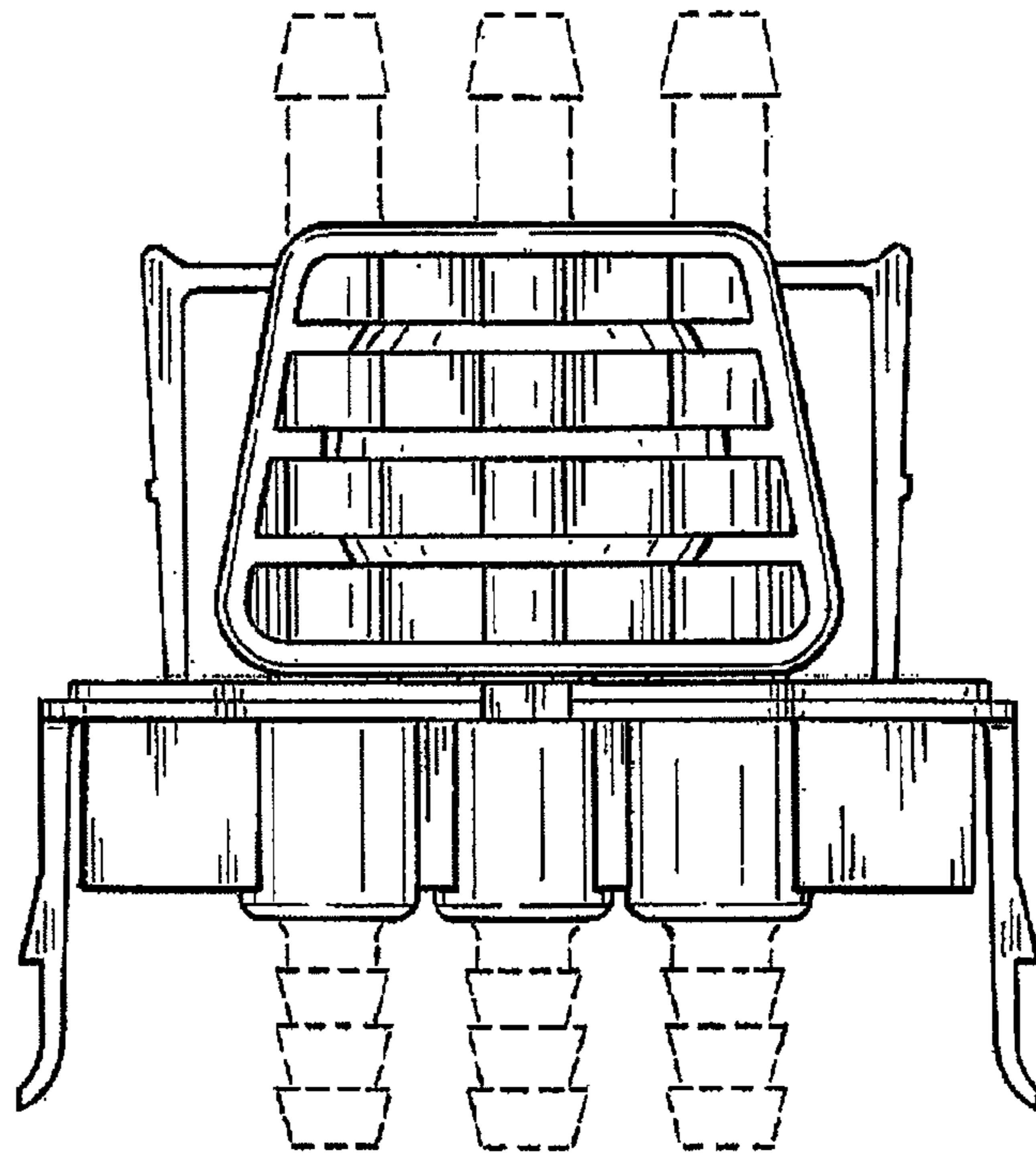


Fig. 3

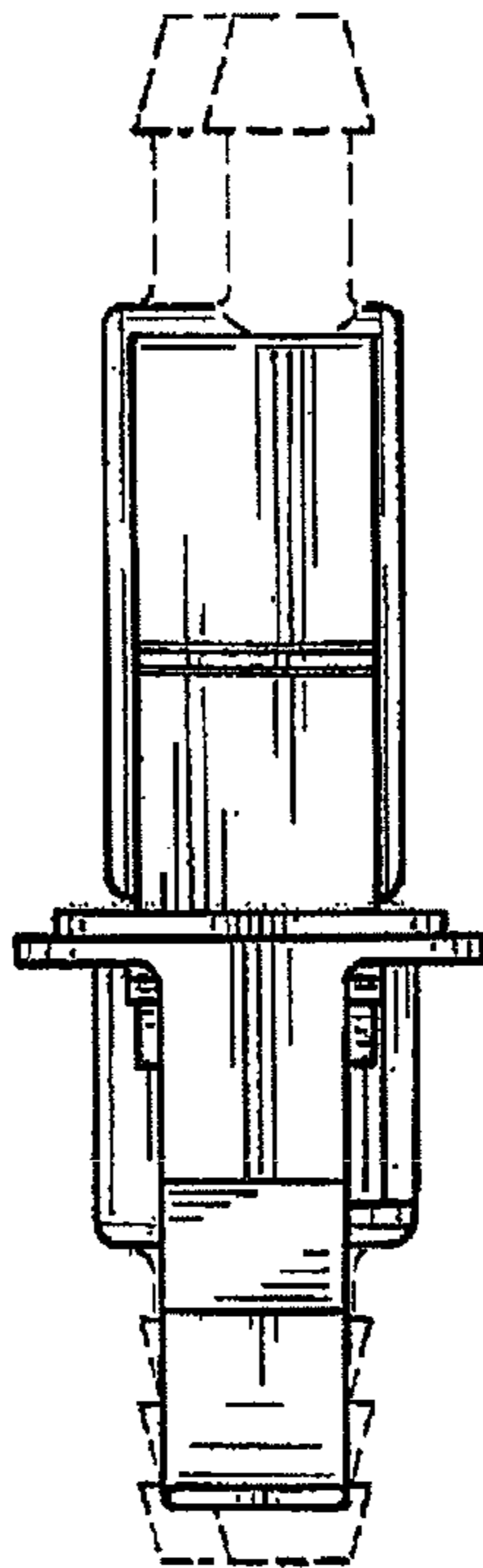


Fig. 4

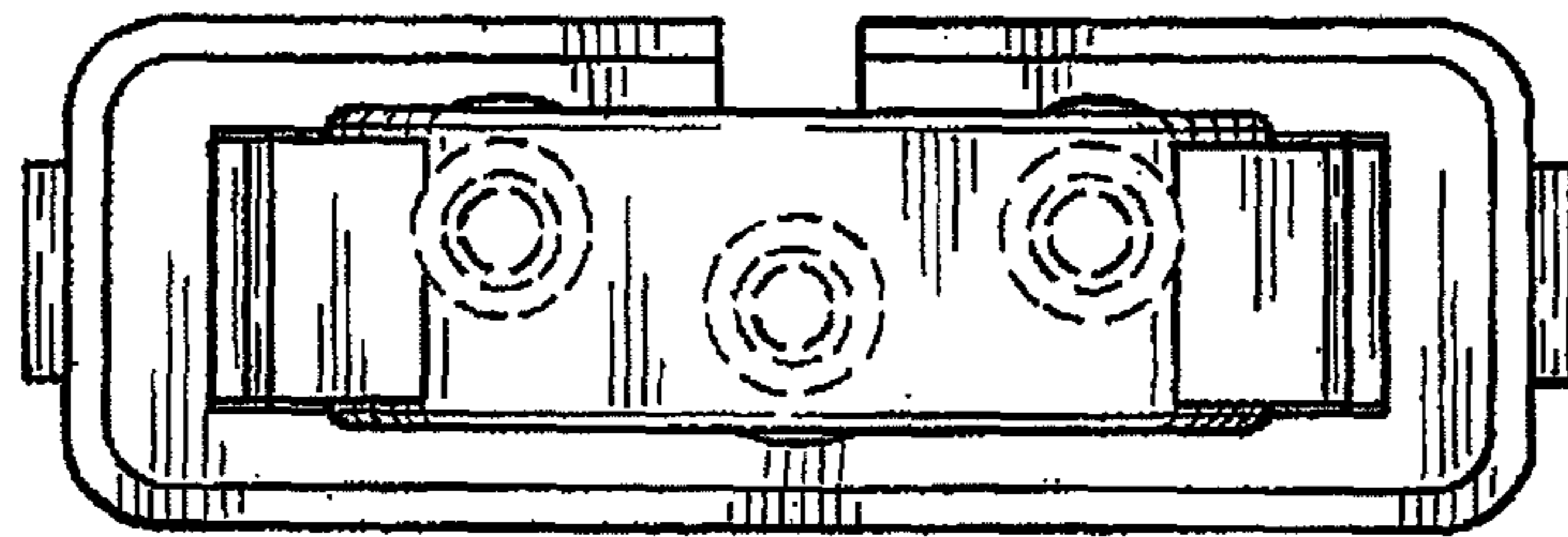


Fig. 5

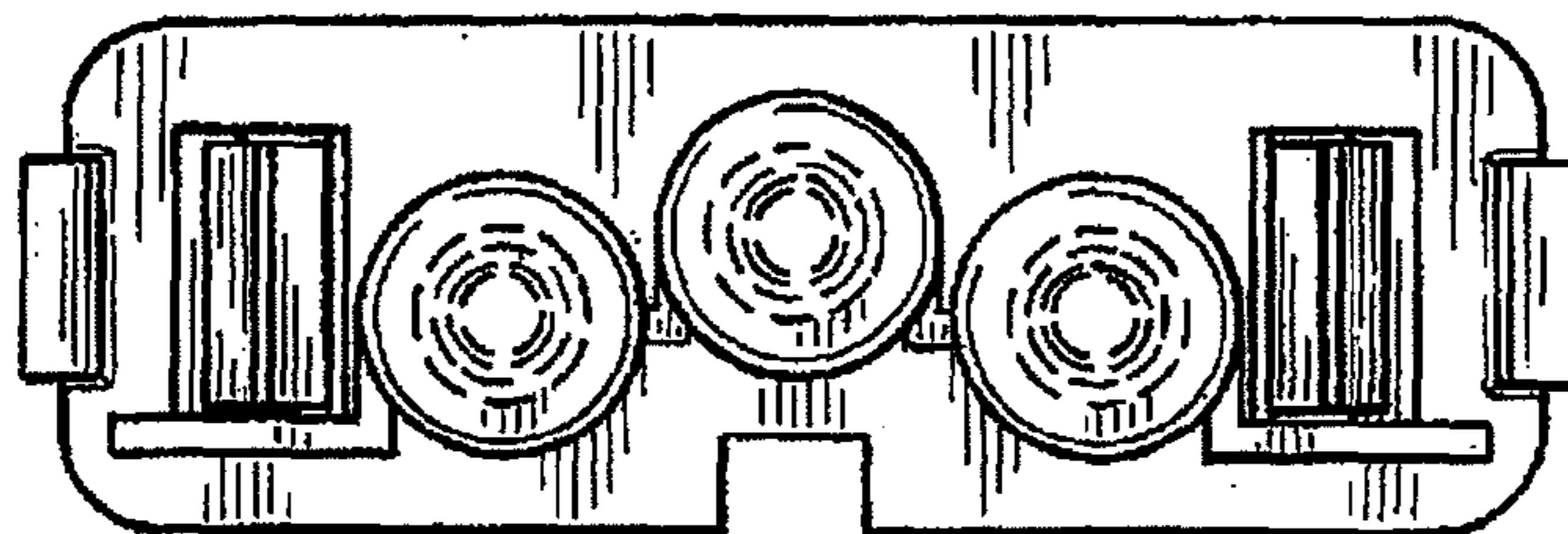


Fig. 6

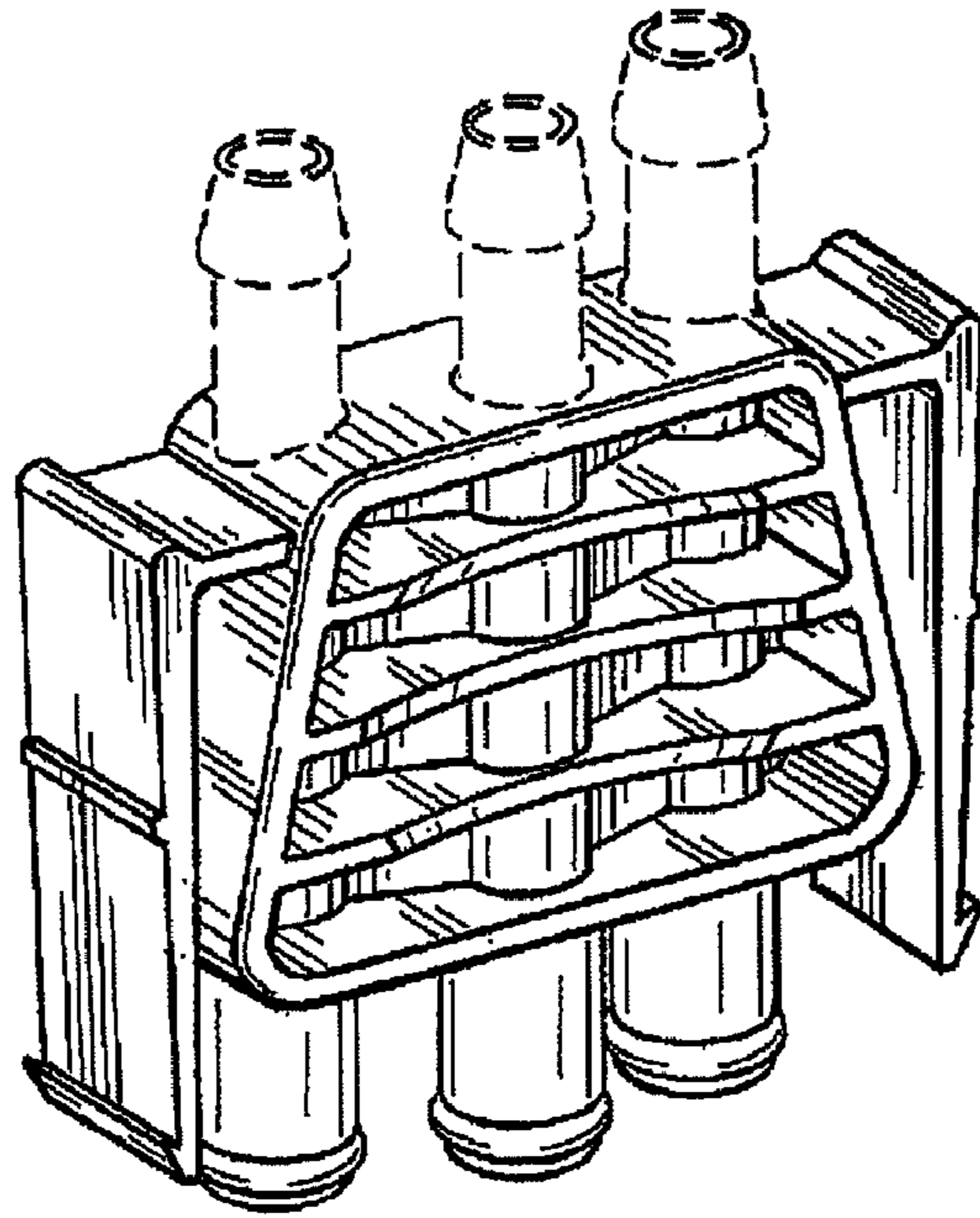


Fig. 7

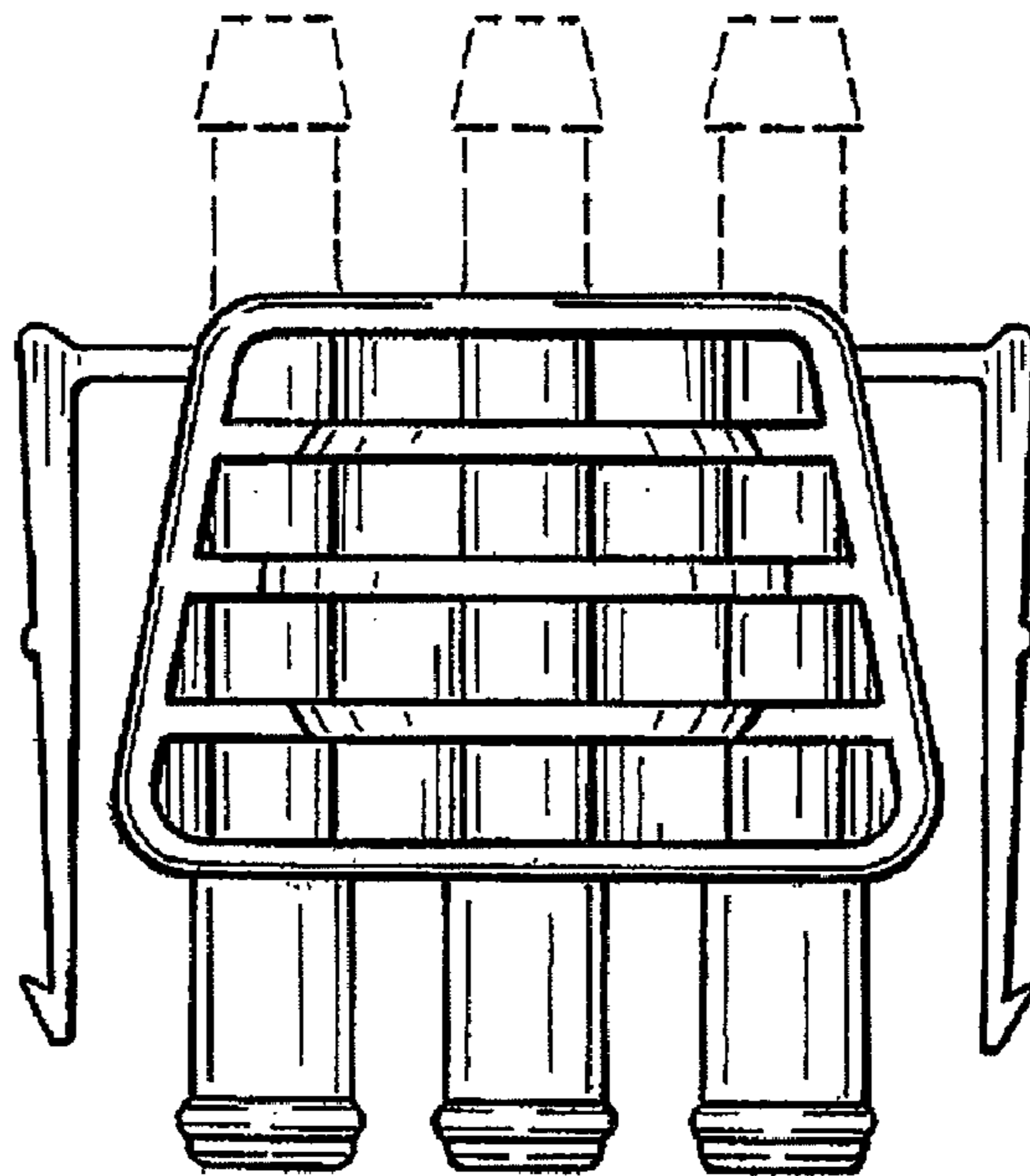


Fig. 8

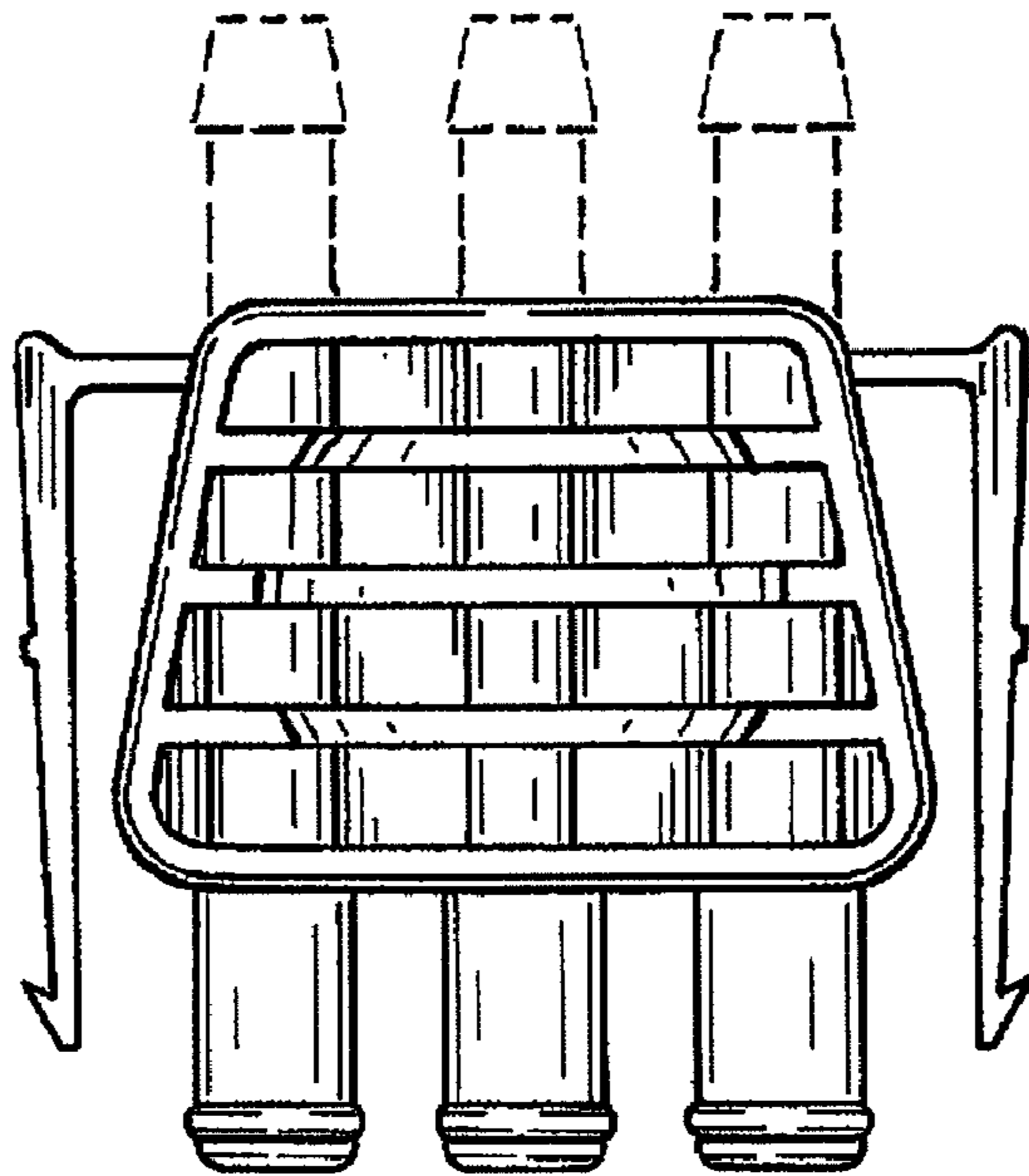


Fig. 9

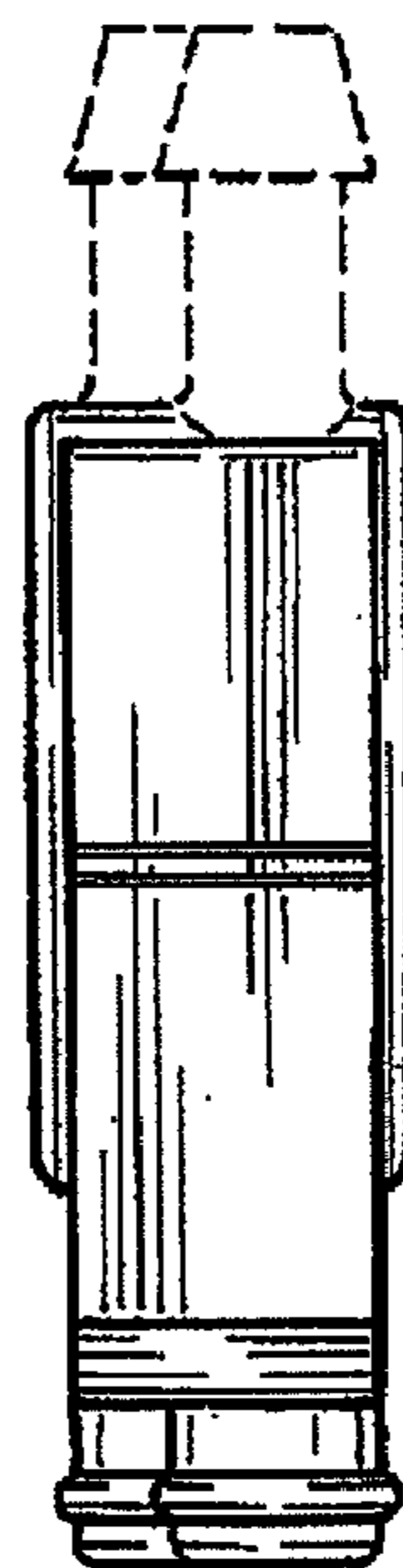


Fig. 10

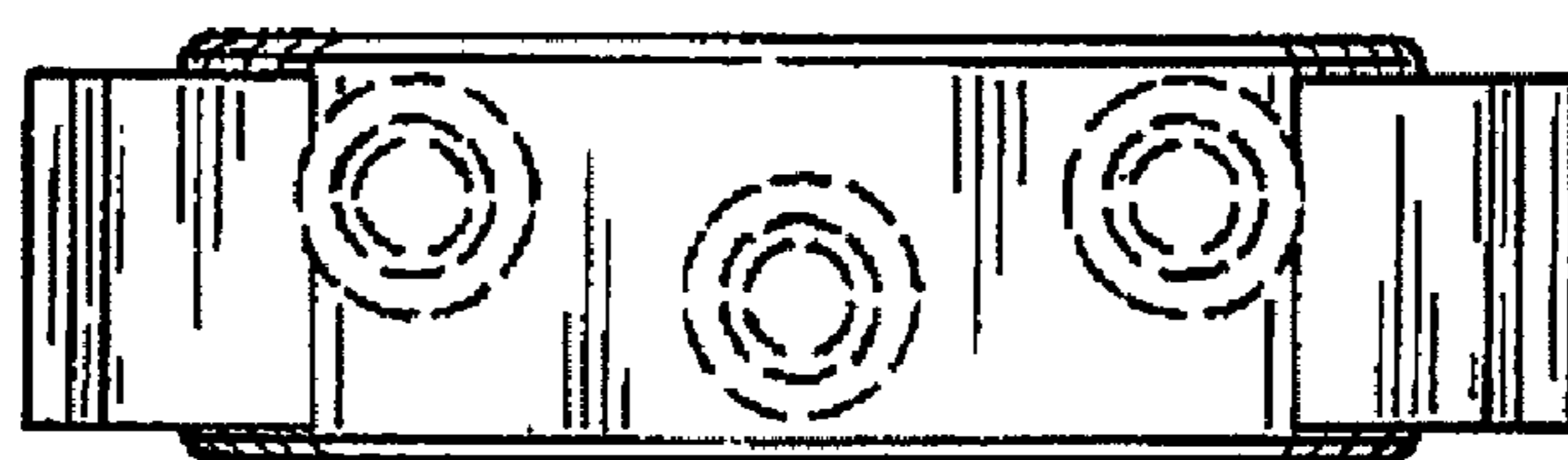


Fig. 11

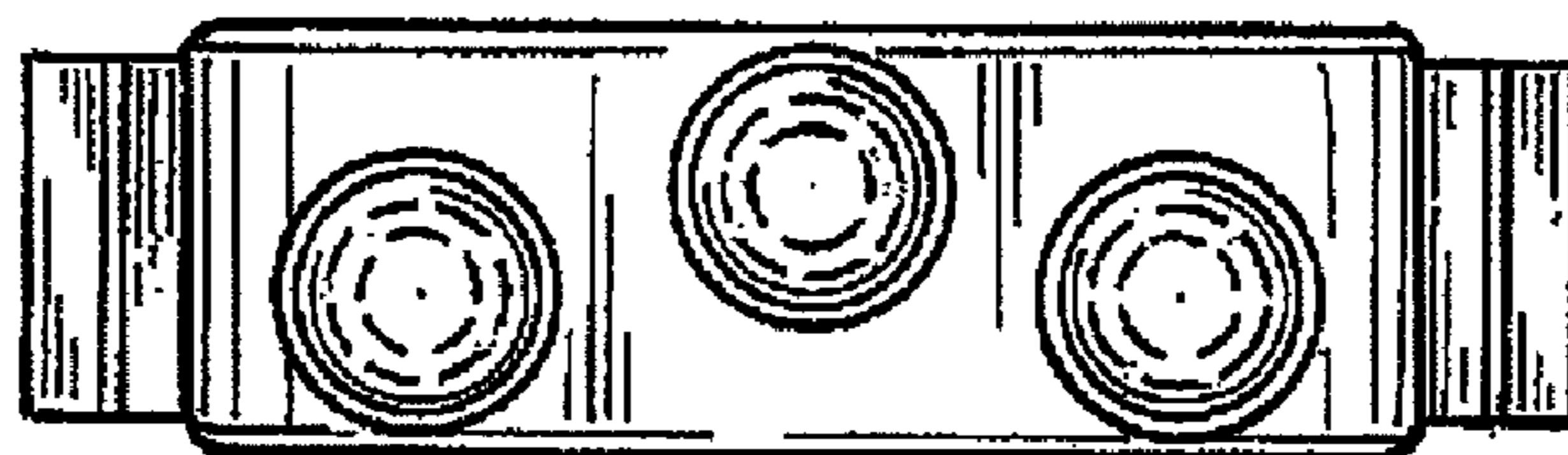


Fig. 12

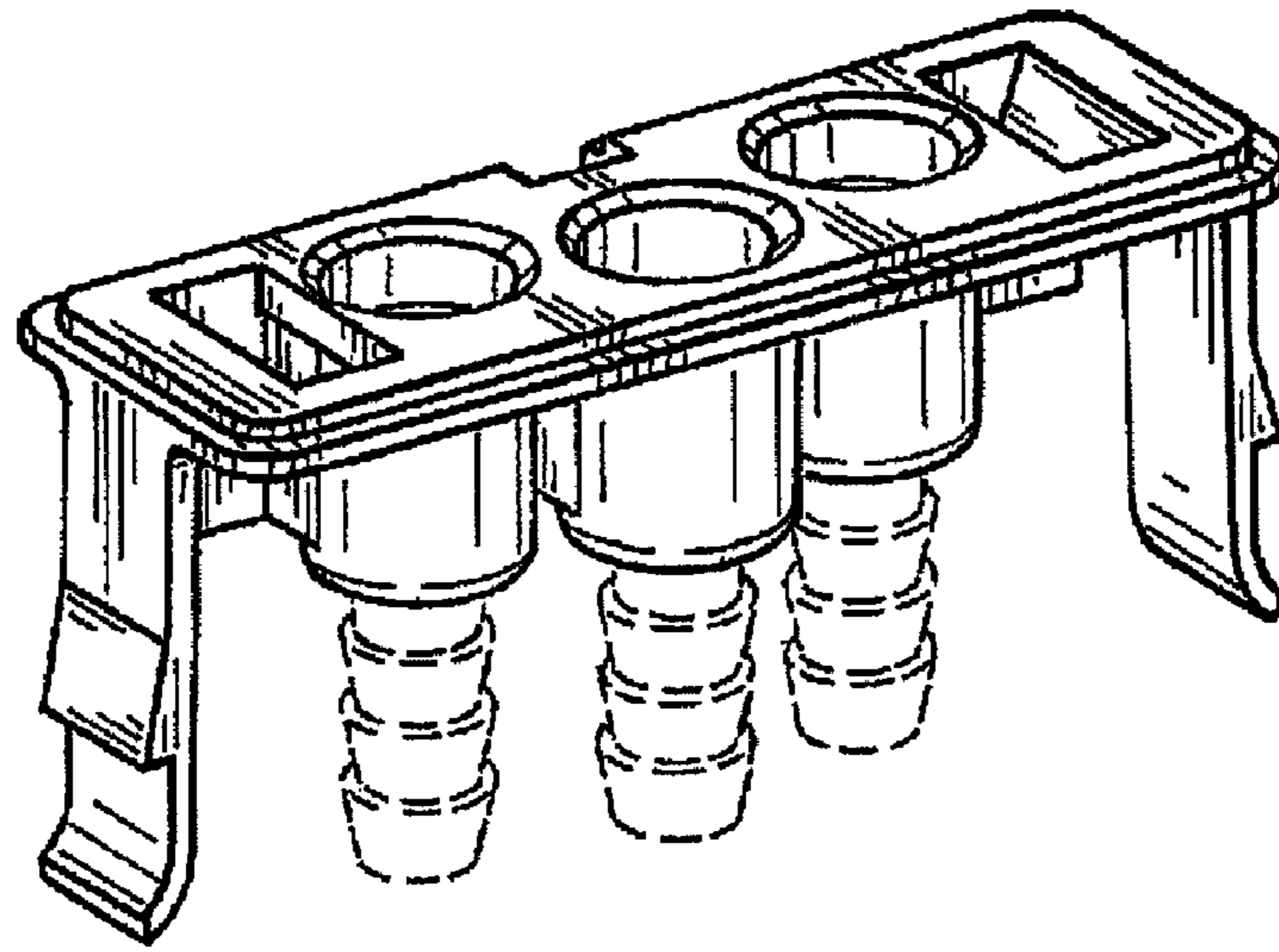


Fig. 13

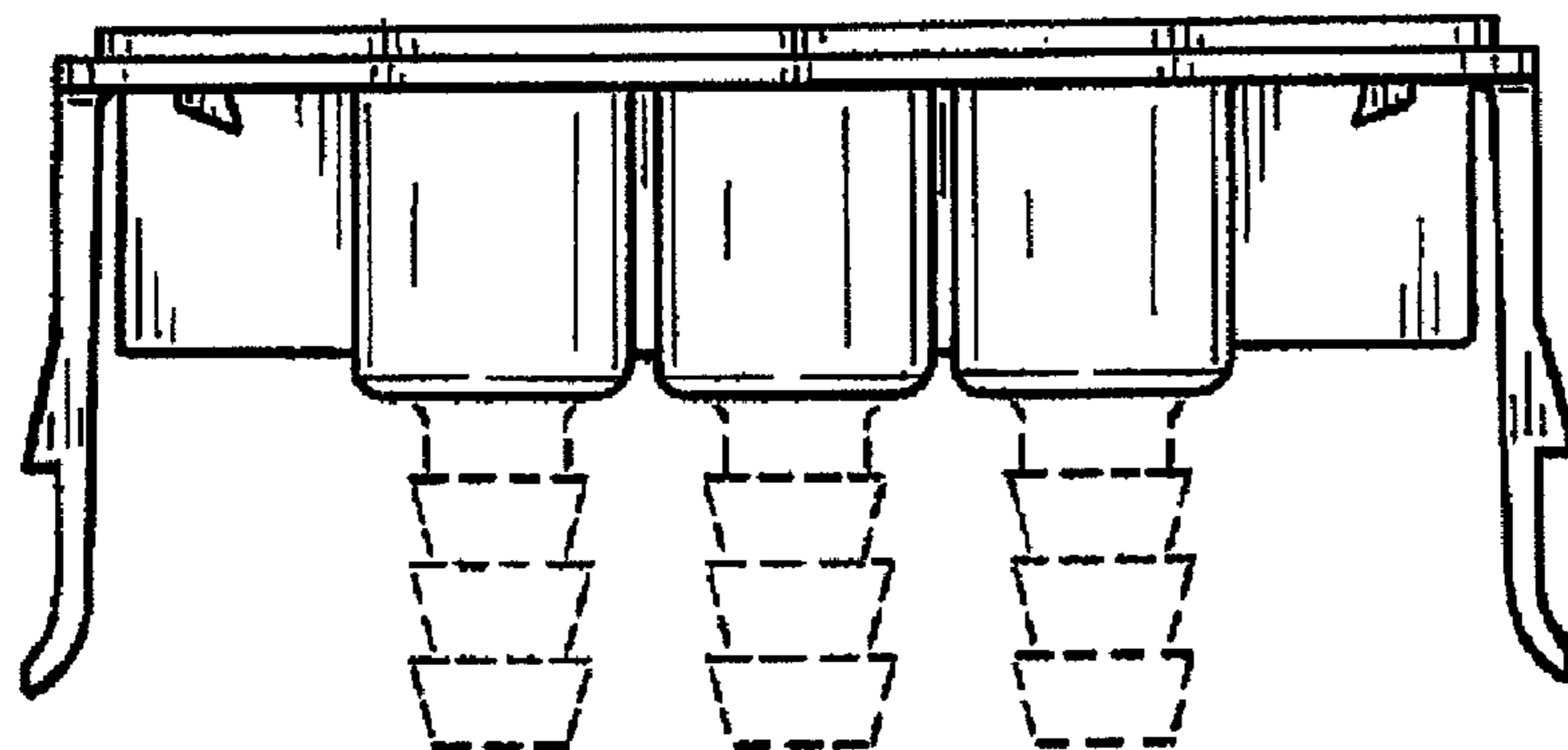


Fig. 14

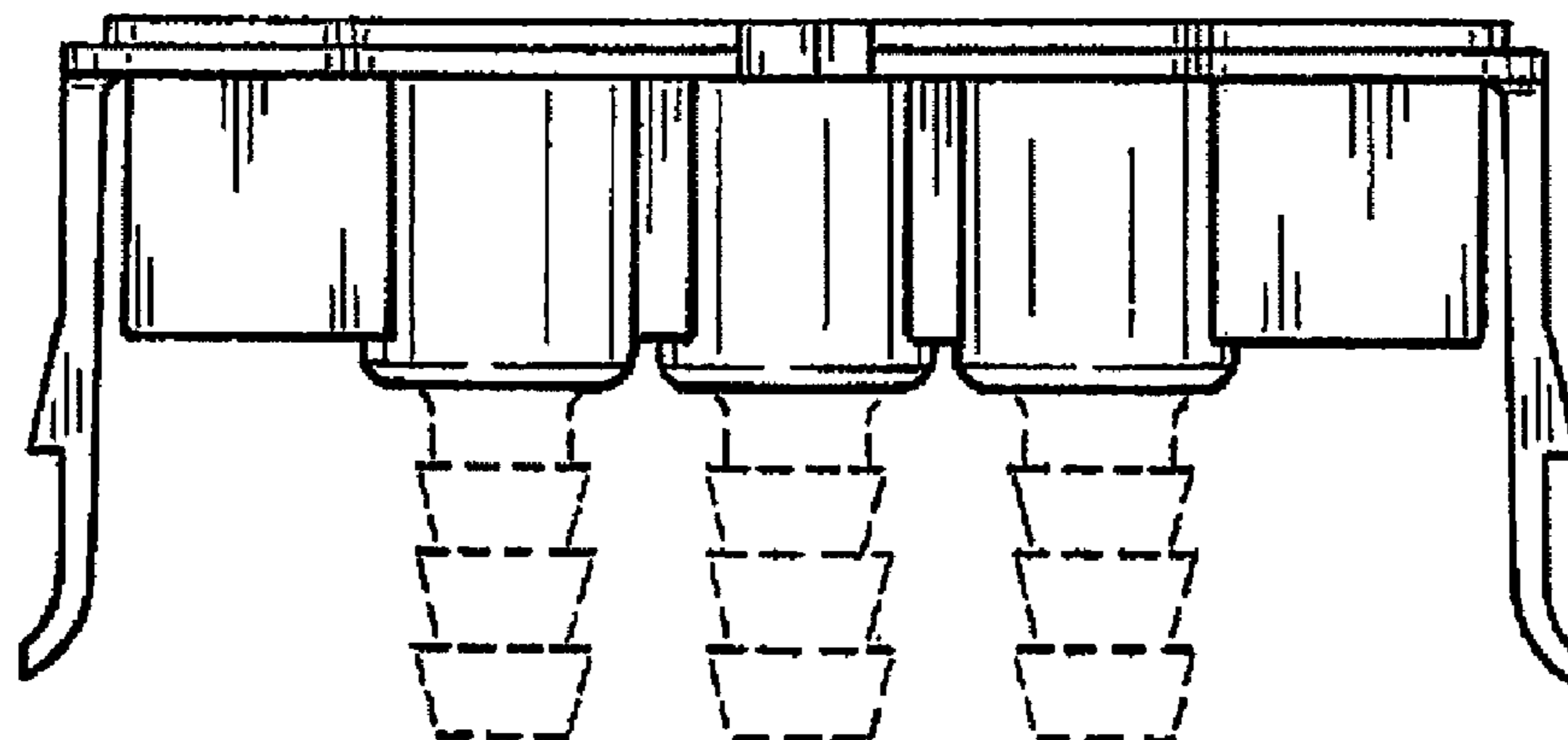


Fig. 15

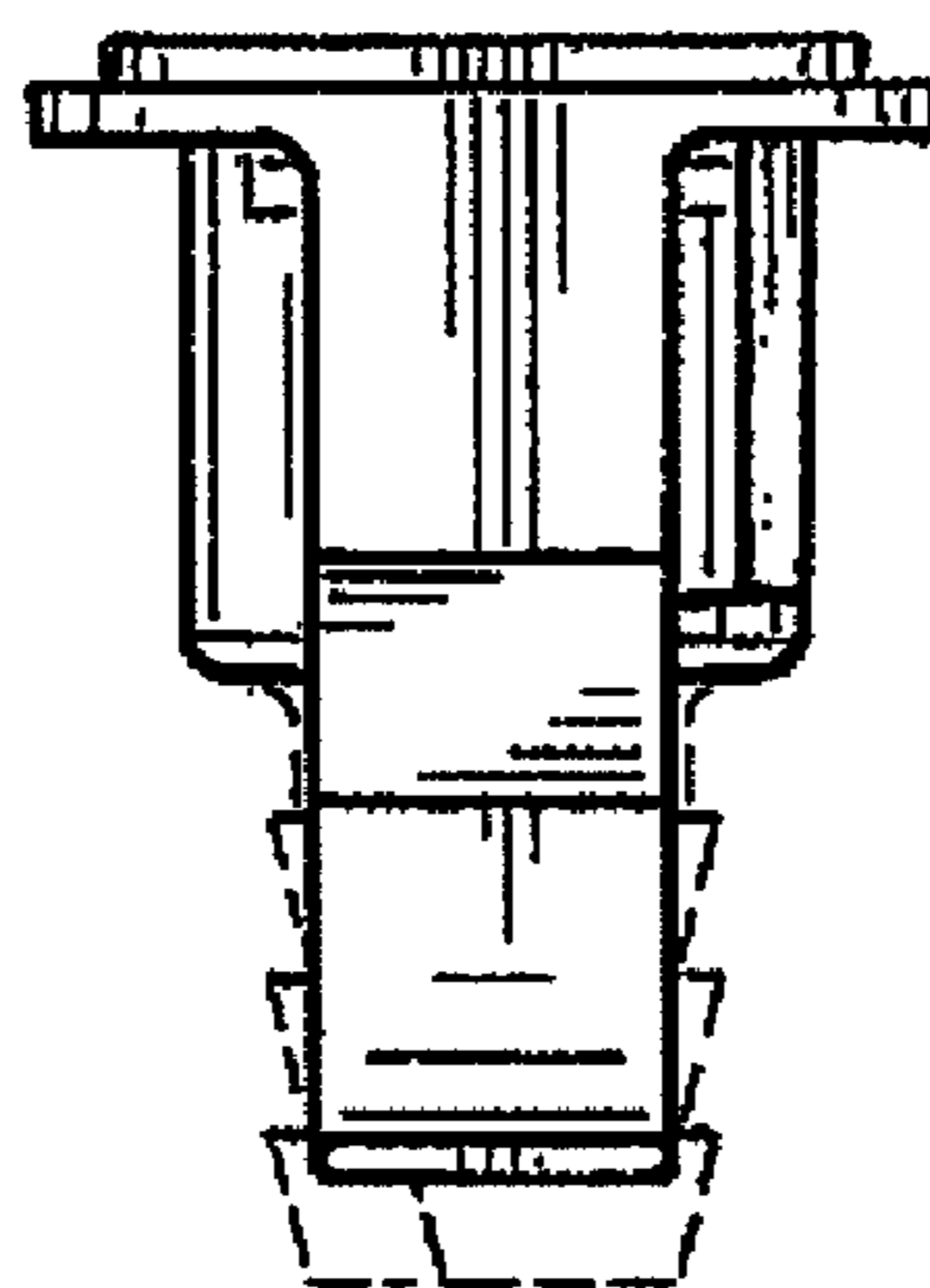


Fig. 16

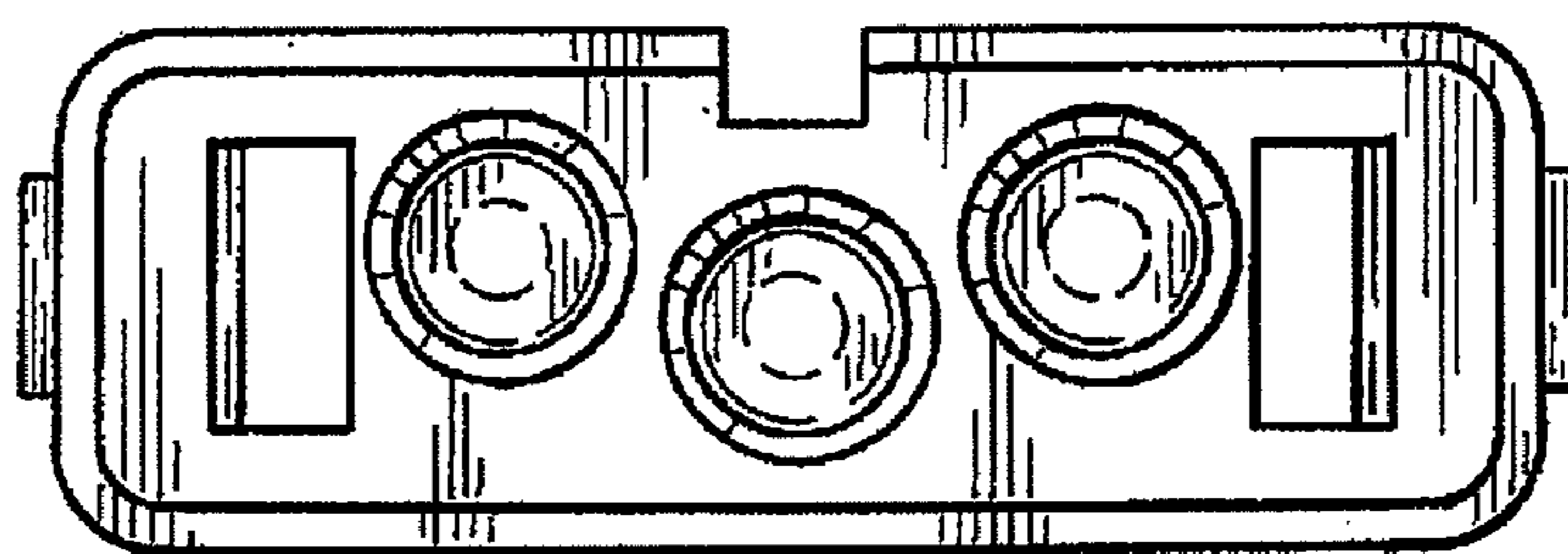


Fig. 17

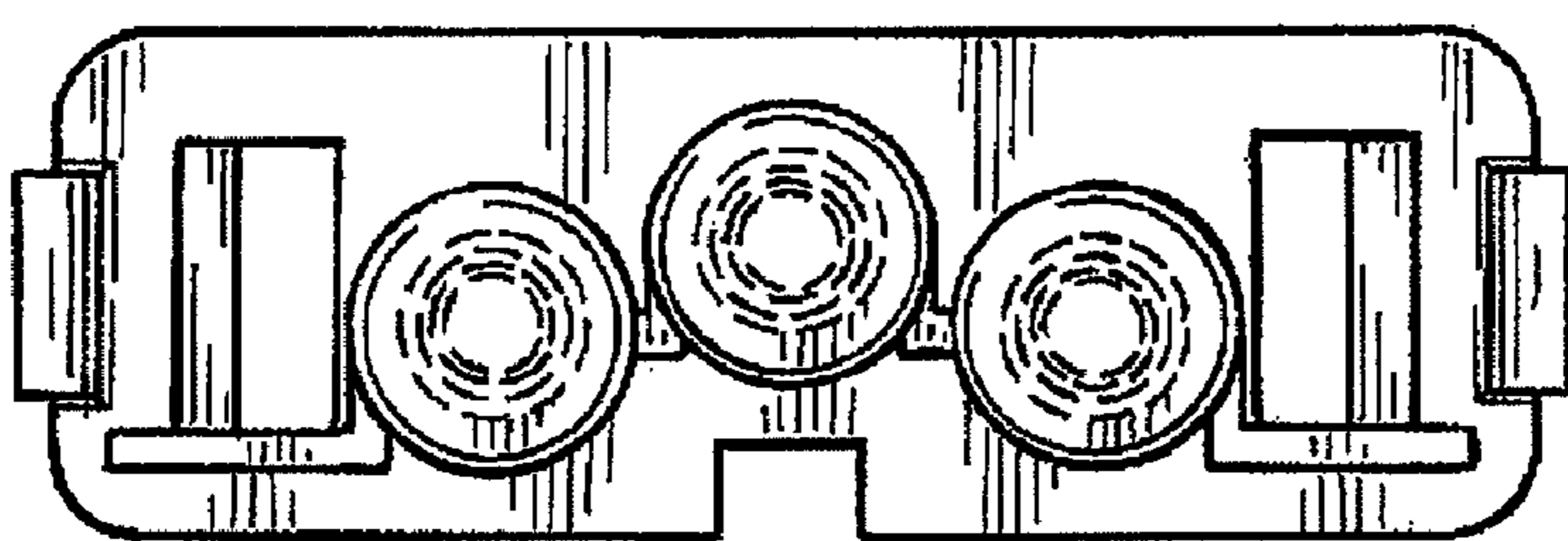


Fig. 18