



US00D658127S

(12) **United States Design Patent**
Mueller

(10) **Patent No.:** **US D658,127 S**

(45) **Date of Patent:** **** Apr. 24, 2012**

(54) **WIRING OUTLET MODULE**

(75) Inventor: **Hartmut Mueller**, Bräunlingen (DE)

(73) Assignee: **MC Technology GmbH**, Blumberg (DE)

(**) Term: **14 Years**

(21) Appl. No.: **29/408,581**

(22) Filed: **Dec. 14, 2011**

Related U.S. Application Data

(62) Division of application No. 29/386,155, filed on Feb. 25, 2011, now Pat. No. Des. 652,799.

Foreign Application Priority Data

Nov. 5, 2010 (EM) 001 243 539

(51) **LOC (9) Cl.** **13-03**

(52) **U.S. Cl.** **D13/133**

(58) **Field of Classification Search** D13/133,
D13/154, 184, 199; 439/344, 417, 676, 686,
439/695, 701, 712, 724, 752

See application file for complete search history.

(56) **References Cited**

U.S. PATENT DOCUMENTS

D384,035 S * 9/1997 Kuprewicz et al. D13/133

D388,767 S * 1/1998 Akins D13/133

D394,426 S * 5/1998 Akins D13/133

D397,323 S * 8/1998 Tulley et al. D13/147

D400,859 S * 11/1998 Tulley et al. D13/147

D552,550 S * 10/2007 Lin et al. D13/133

D569,344 S * 5/2008 Kawasaki D13/135

D570,287 S * 6/2008 Chen et al. D13/133

8,057,249 B1 * 11/2011 Tobey et al. 439/345

* cited by examiner

Primary Examiner — Daniel Bui

(74) *Attorney, Agent, or Firm* — Andrew F. Young, Esq.;
Lackenbach Siegel, LLP

(57) **CLAIM**

The ornamental design for a wiring outlet module, as shown and described.

DESCRIPTION

FIG. 1 is a top, front and right side perspective view of a wiring outlet module showing my new design;

FIG. 2 is a right side elevation view thereof.

FIG. 3 is a left side elevation view thereof.

FIG. 4 is a top plan view thereof.

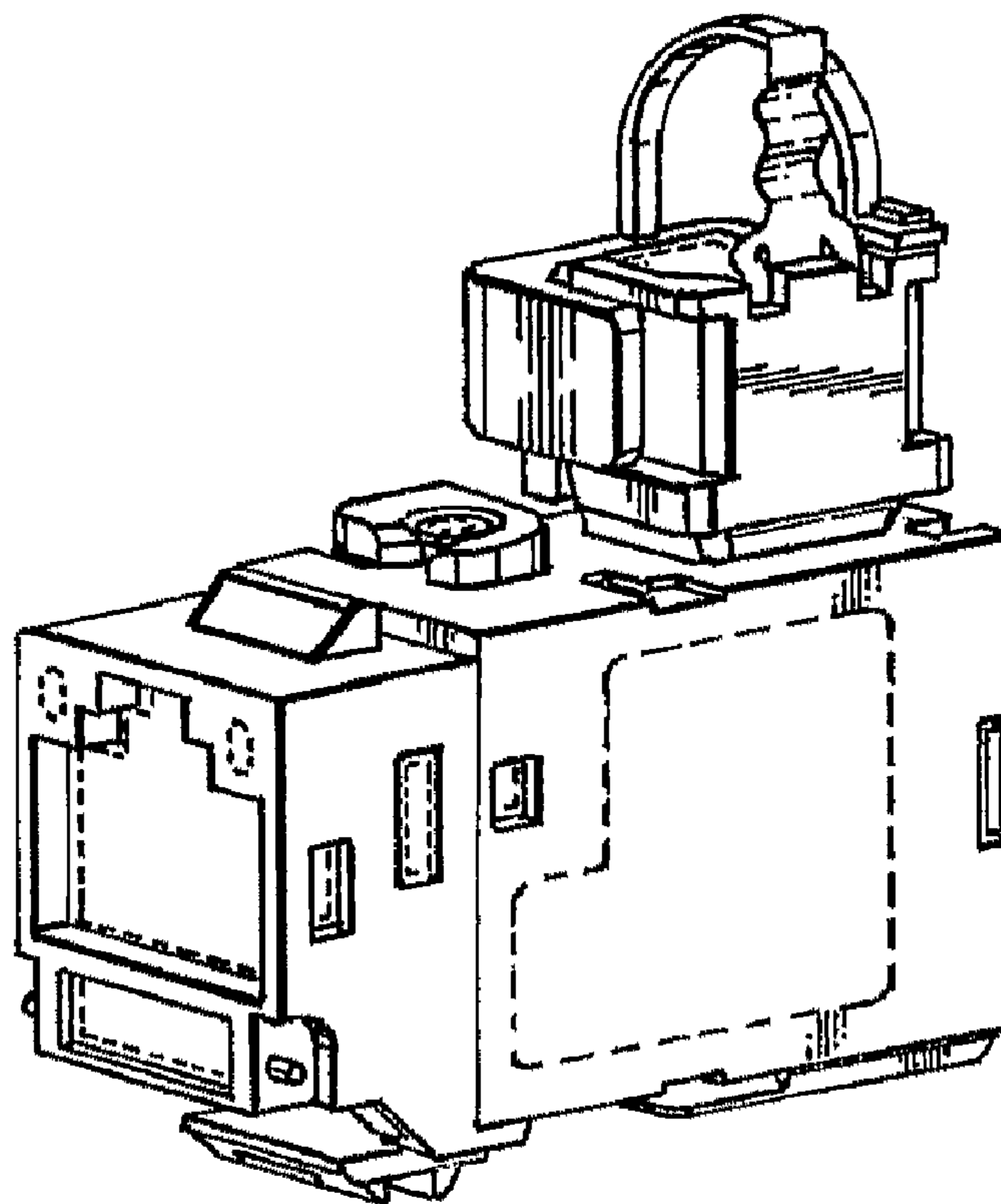
FIG. 5 is a bottom plan view thereof.

FIG. 6 is a front elevation view thereof; and,

FIG. 7 is a rear elevation view thereof.

The broken line portion of the figure drawings is included to show unclaimed subject matter only and forms no part of the claimed design.

1 Claim, 2 Drawing Sheets



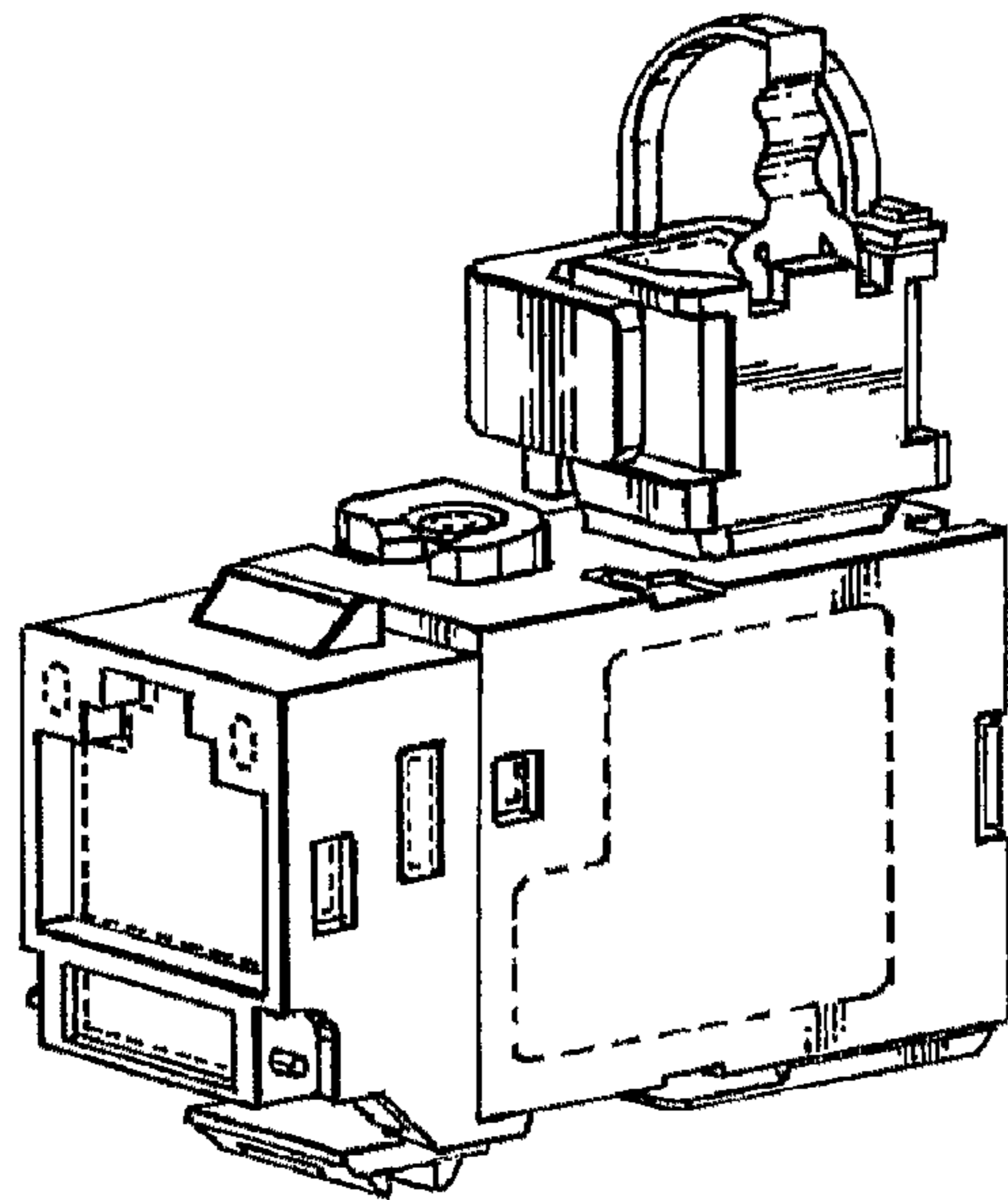


Fig. 1

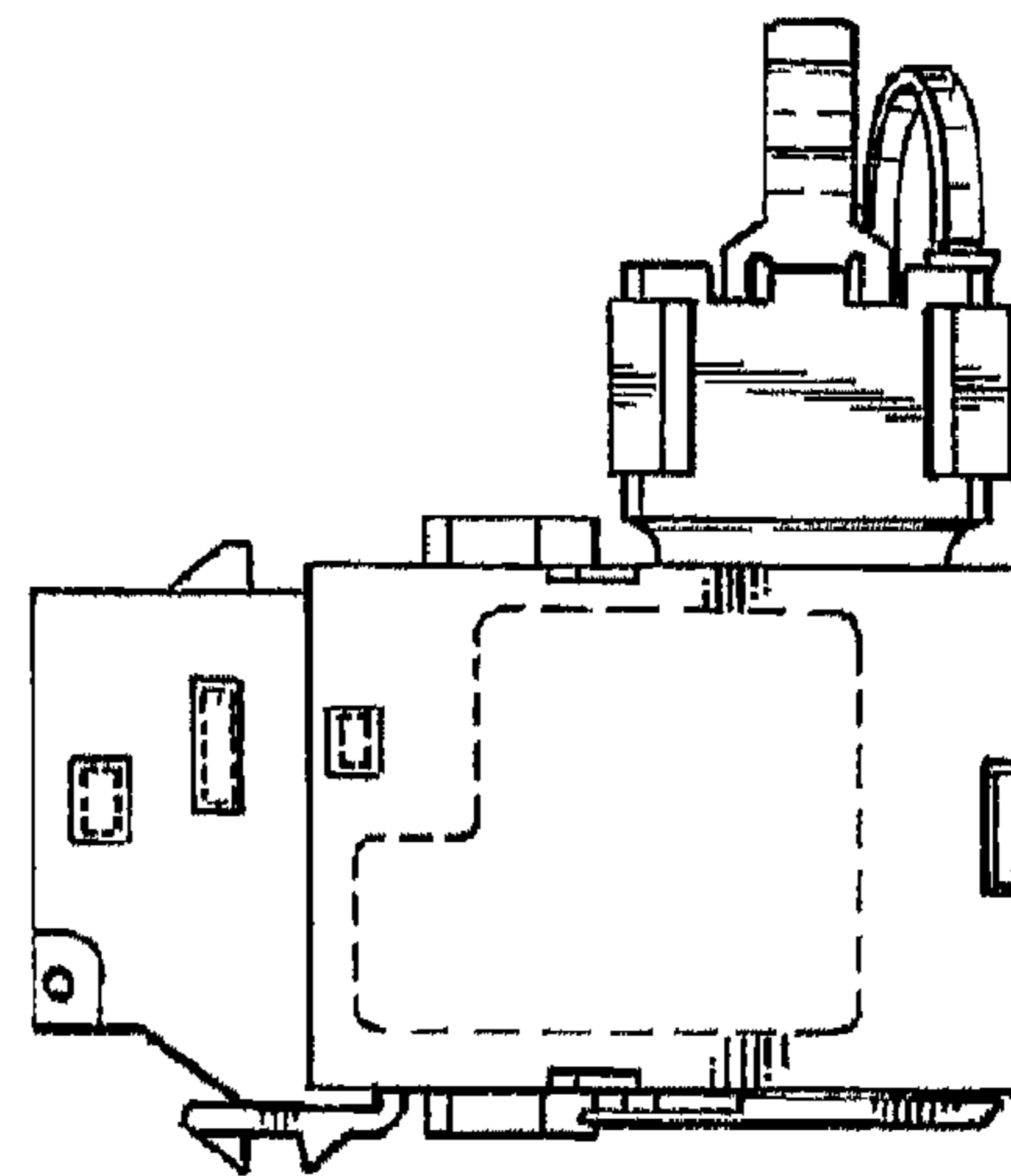


Fig. 2

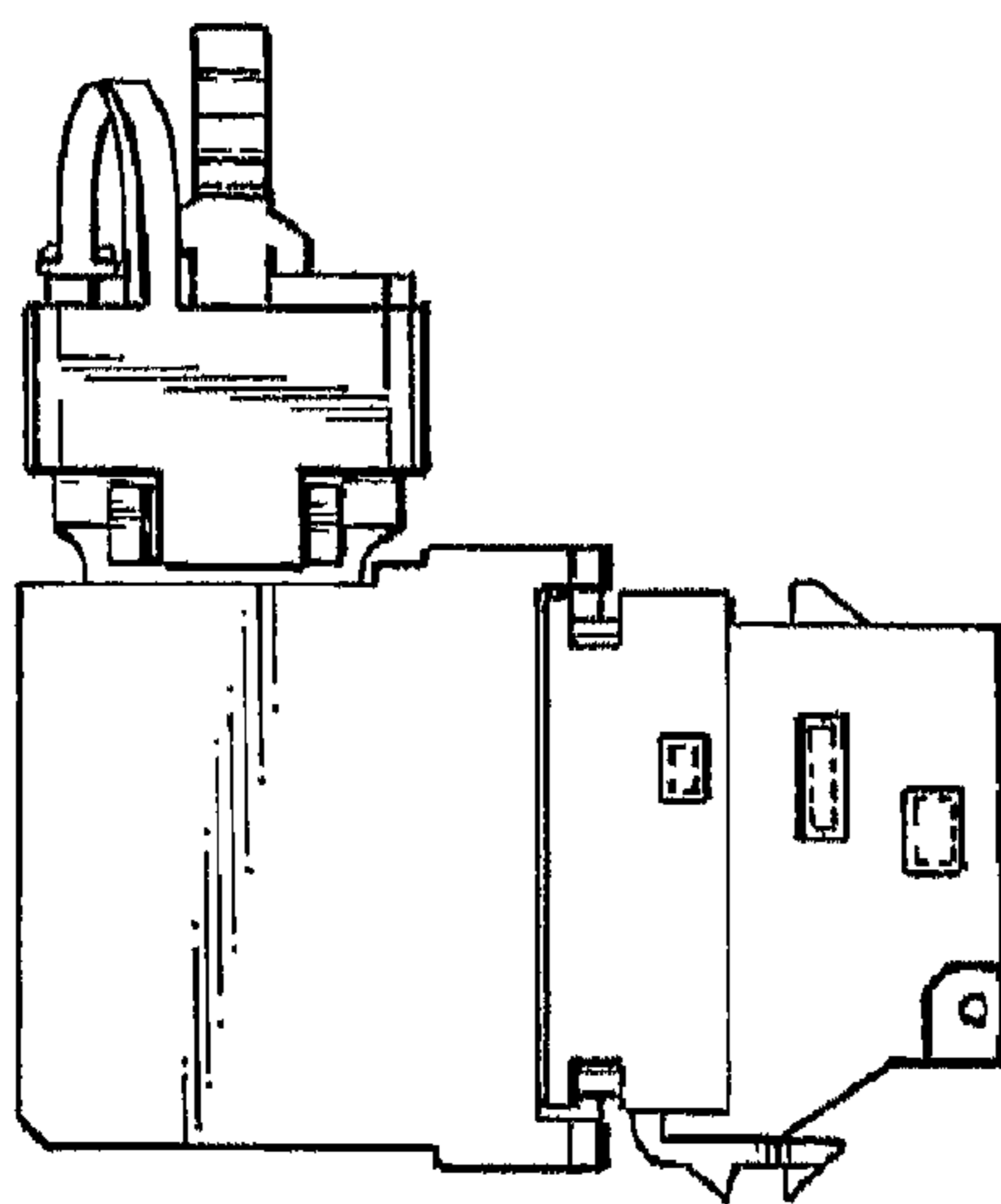


Fig. 3

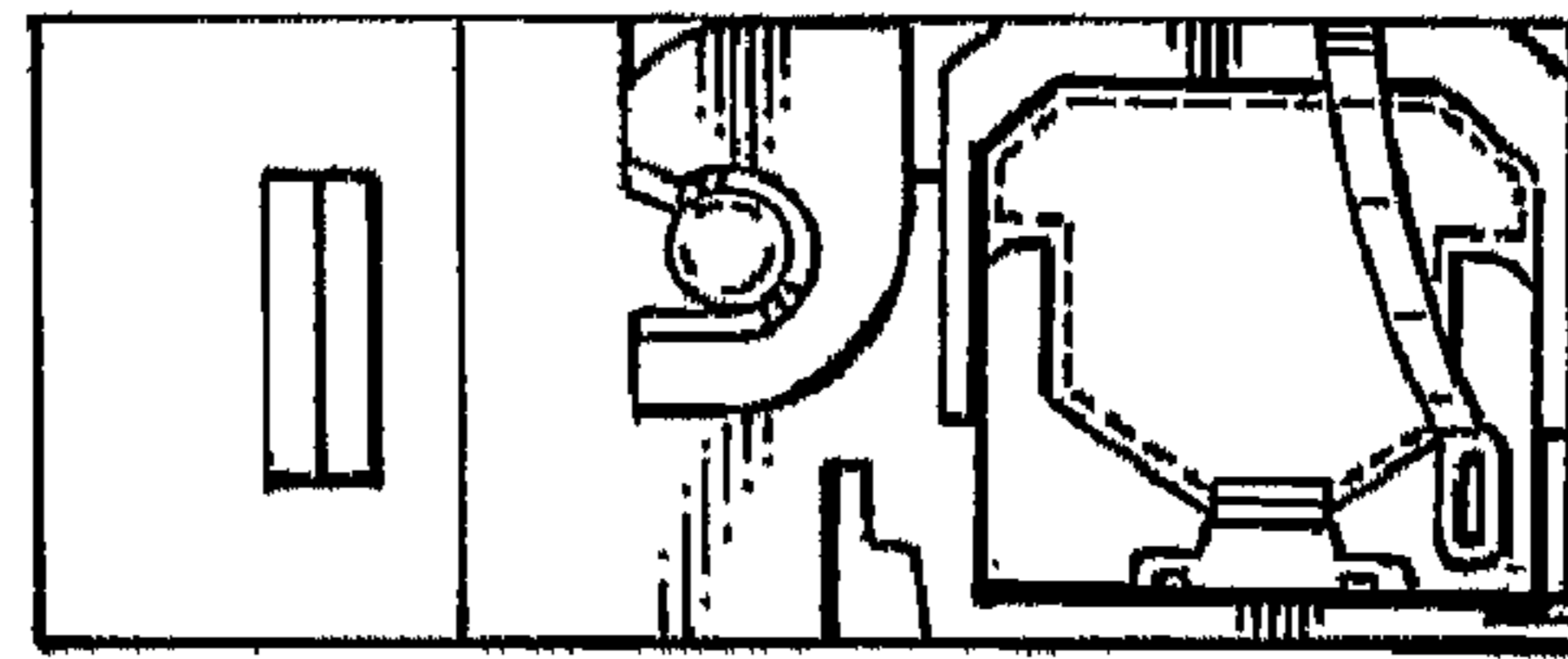


Fig. 4

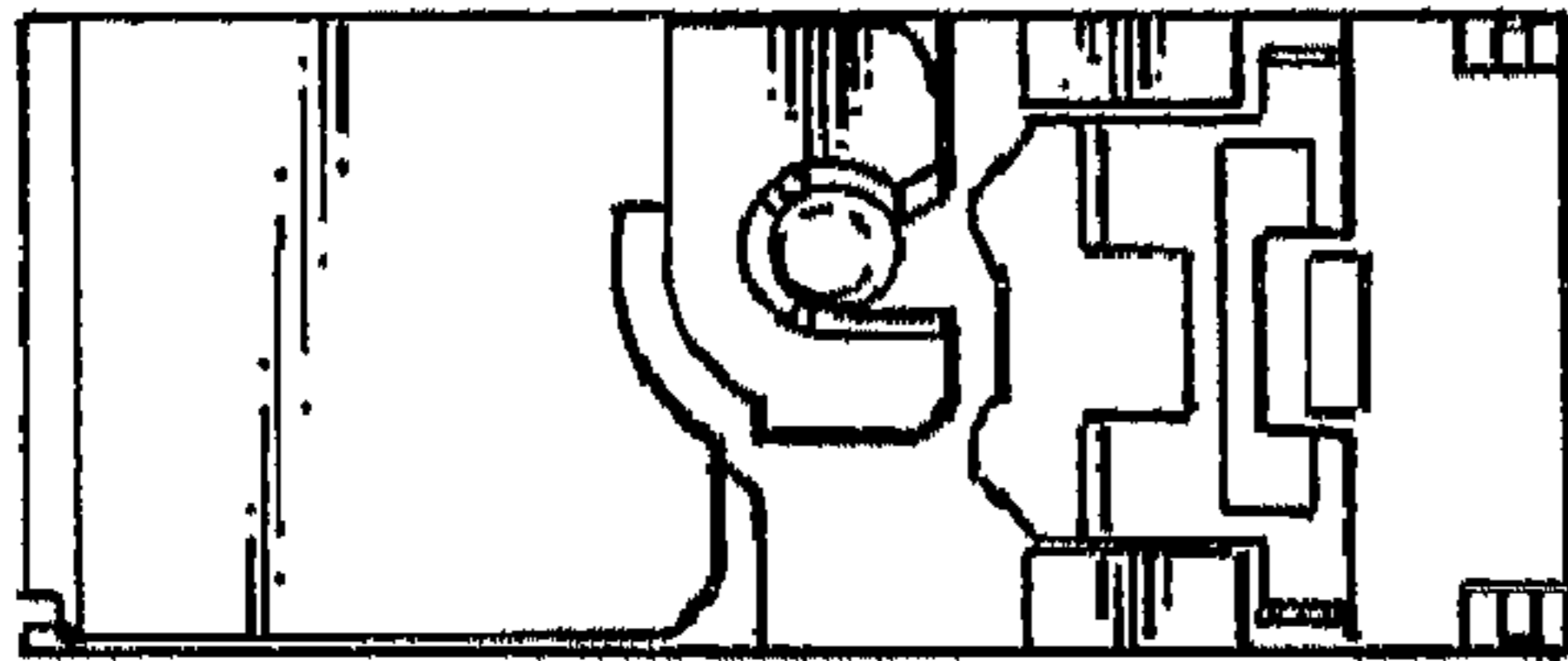


Fig. 5

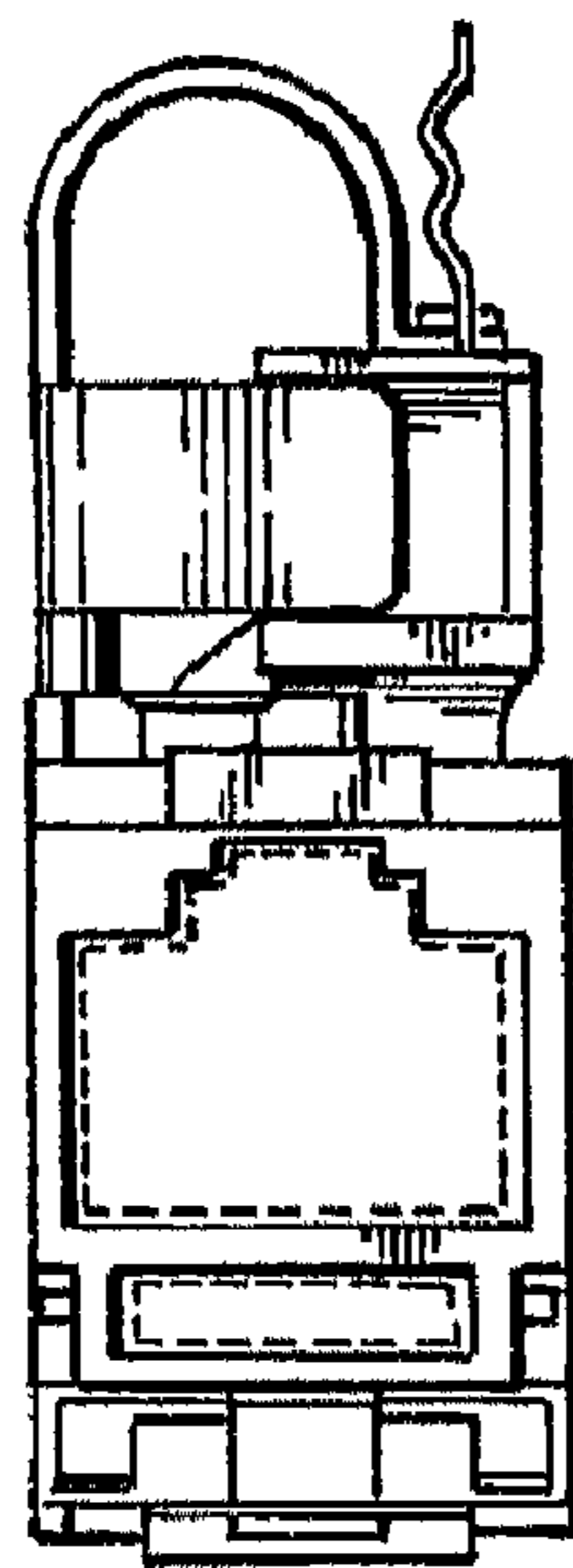


Fig. 6

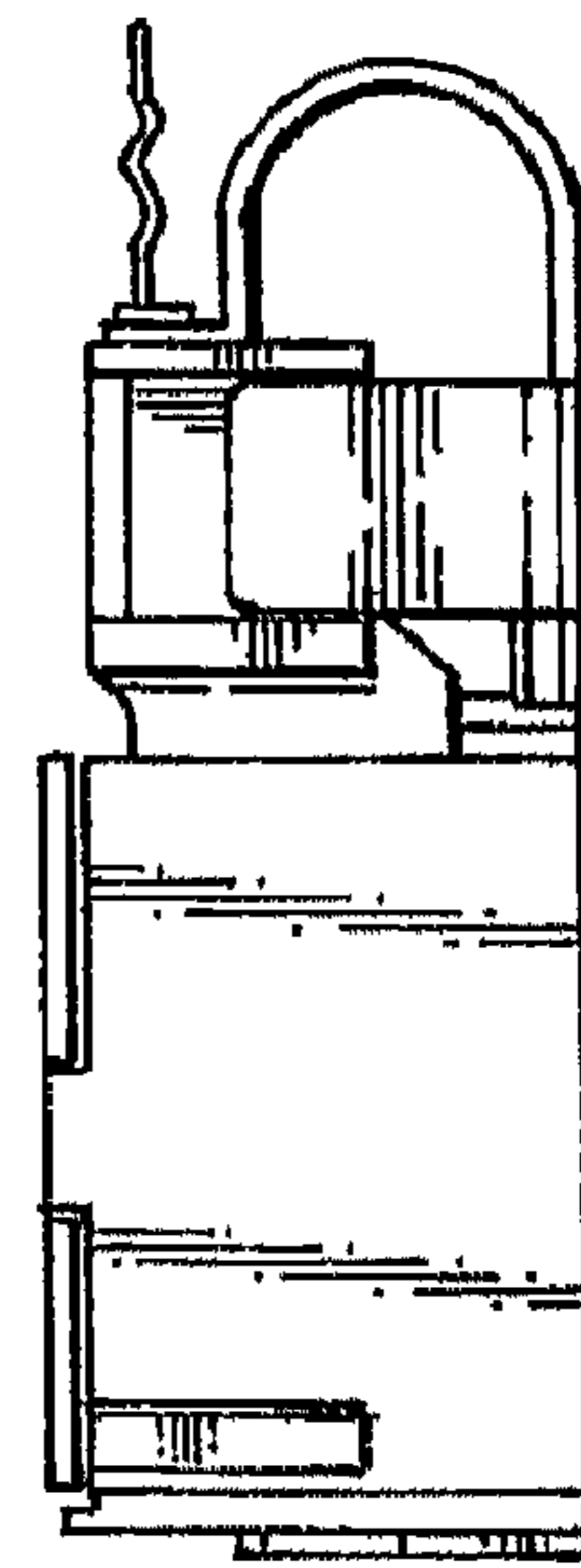


Fig. 7