



US00D658125S

(12) **United States Design Patent**  
**Becker**

(10) **Patent No.:** **US D658,125 S**

(45) **Date of Patent:** **\*\* Apr. 24, 2012**

(54) **ELECTRICAL FITTING**

(75) Inventor: **Markus Becker**, Paderborn (DE)

(73) Assignee: **Phoenix Contact GmbH & Co. KG**,  
Blomberg (DE)

(\*\*) Term: **14 Years**

(21) Appl. No.: **29/387,153**

(22) Filed: **Mar. 9, 2011**

(30) **Foreign Application Priority Data**

Sep. 9, 2010 (EM) ..... 001752601

(51) **LOC (9) Cl.** ..... **13-02**

(52) **U.S. Cl.** ..... **D13/118**

(58) **Field of Classification Search** ..... D13/118,  
D13/101, 107, 108, 110, 114, 123, 133, 146,  
D13/153, 154, 199; 307/62, 82, 109, 150,  
307/151; 320/110, 111, 112, 113, 114, 115;  
361/600, 601, 623; 429/96, 97, 98, 99, 100,  
429/163, 170, 176

See application file for complete search history.

(56) **References Cited**

U.S. PATENT DOCUMENTS

6,299,490 B1 \* 10/2001 Schultz et al. .... 439/676  
D551,619 S \* 9/2007 Schneider ..... D13/110

D575,730 S \* 8/2008 Hung ..... D13/110  
D593,030 S \* 5/2009 Konoma et al. .... D13/110  
D594,411 S \* 6/2009 Mullen ..... D13/110  
D596,126 S \* 7/2009 Norin et al. .... D13/133  
D619,960 S \* 7/2010 Winkler ..... D13/110

FOREIGN PATENT DOCUMENTS

DE 000644935-0001 12/2006

\* cited by examiner

*Primary Examiner* — Derrick Holland

(74) *Attorney, Agent, or Firm* — Kauth, Pomeroy, Peck &  
Bailey LLP

(57) **CLAIM**

The ornamental design for an electrical fitting, as shown and described.

**DESCRIPTION**

FIG. 1 is a bottom view of an electrical fitting showing my new design;

FIG. 2 is a perspective view thereof;

FIG. 3 is a front view thereof;

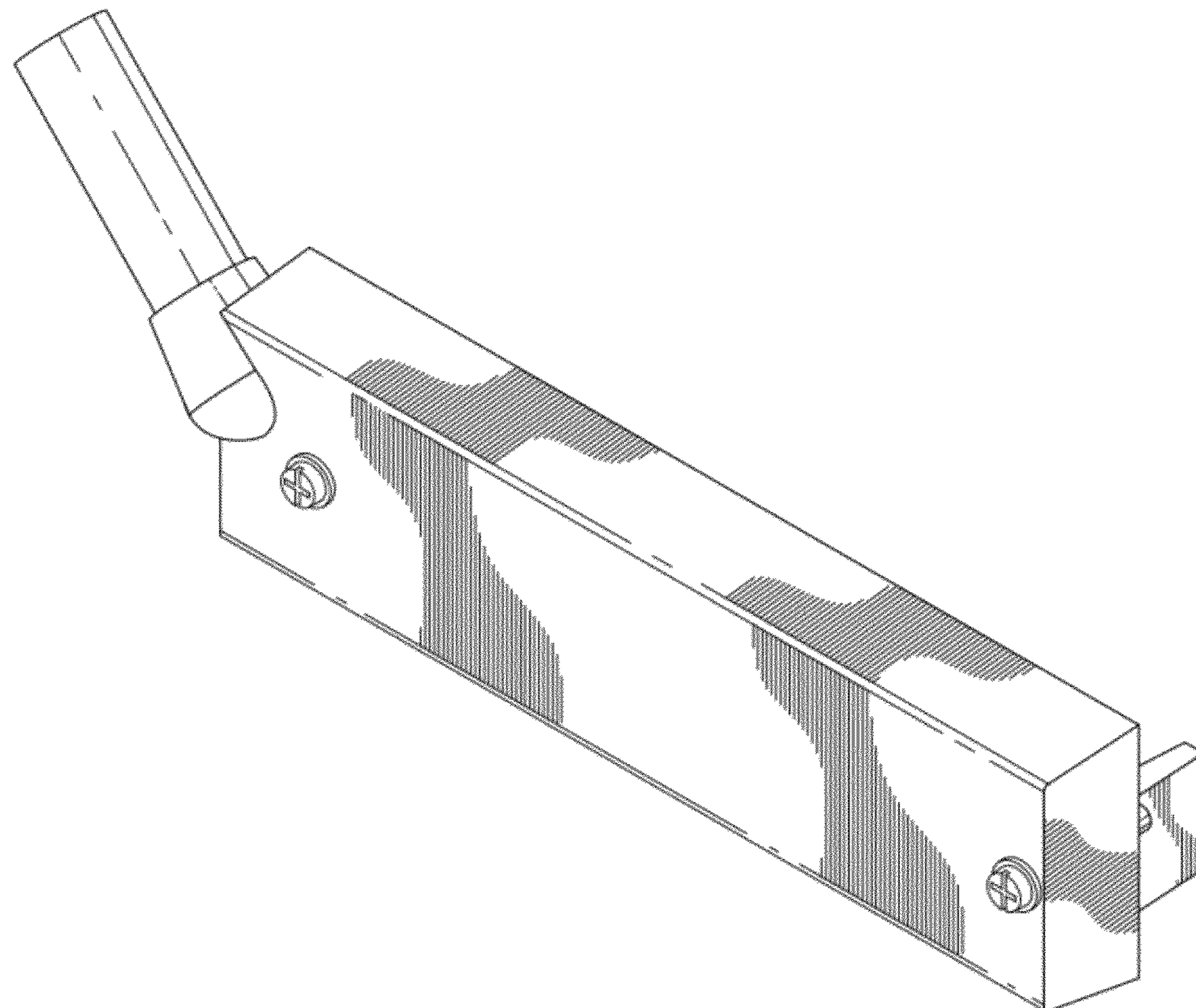
FIG. 4 is a right-side view thereof;

FIG. 5 is a back view thereof;

FIG. 6 is a top view thereof; and,

FIG. 7 is a left-side view thereof.

**1 Claim, 5 Drawing Sheets**



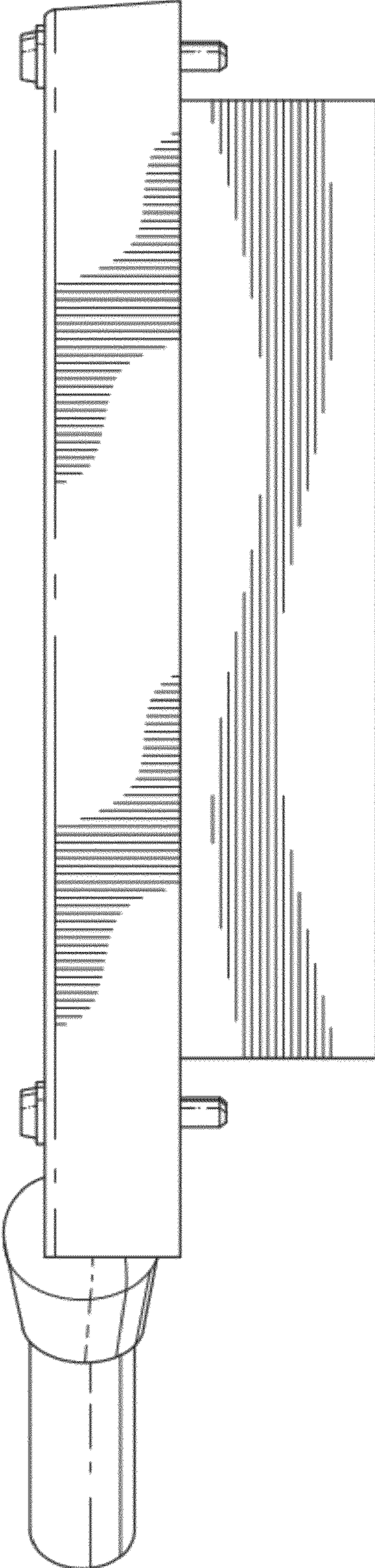


FIG. 1

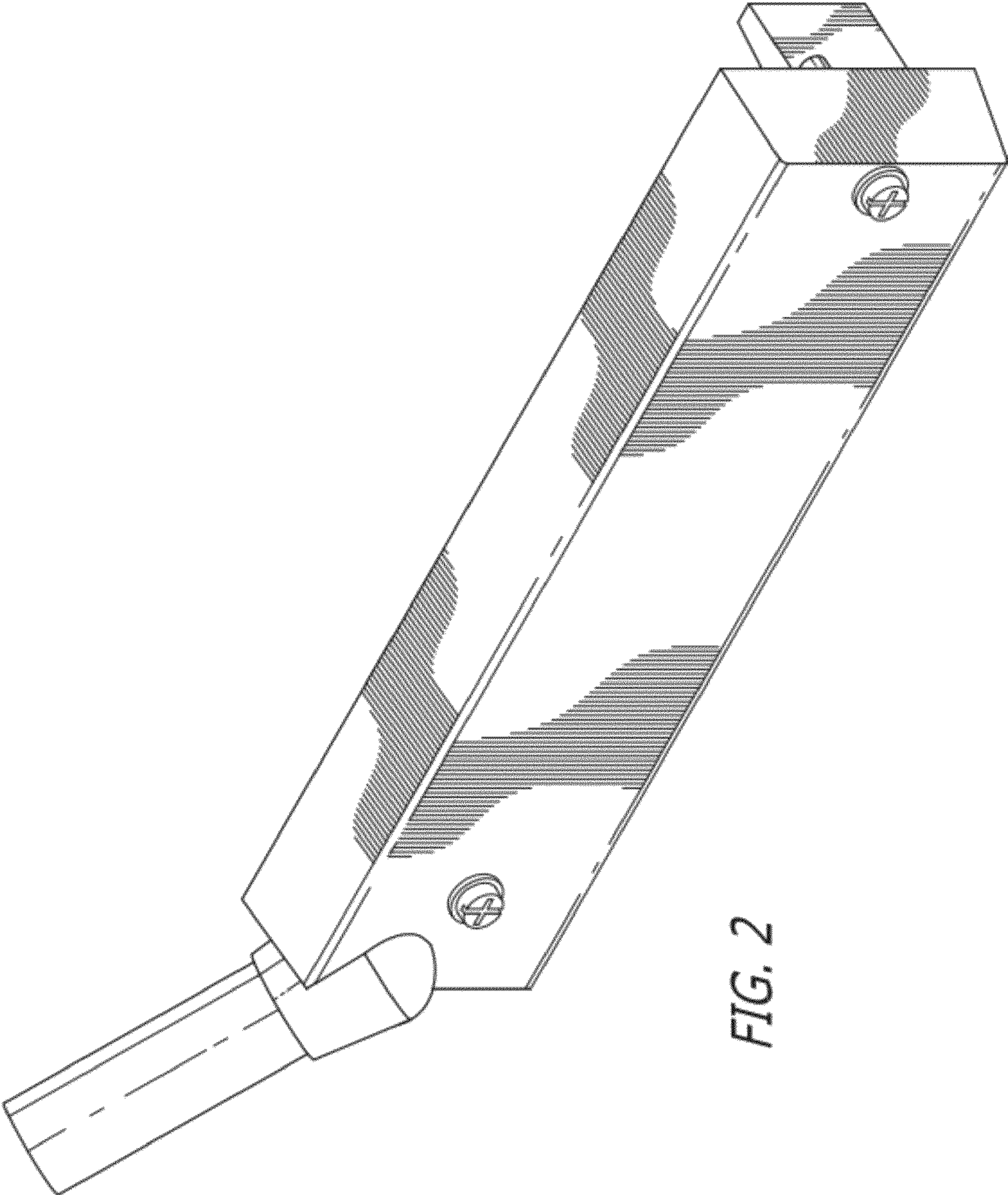


FIG. 2

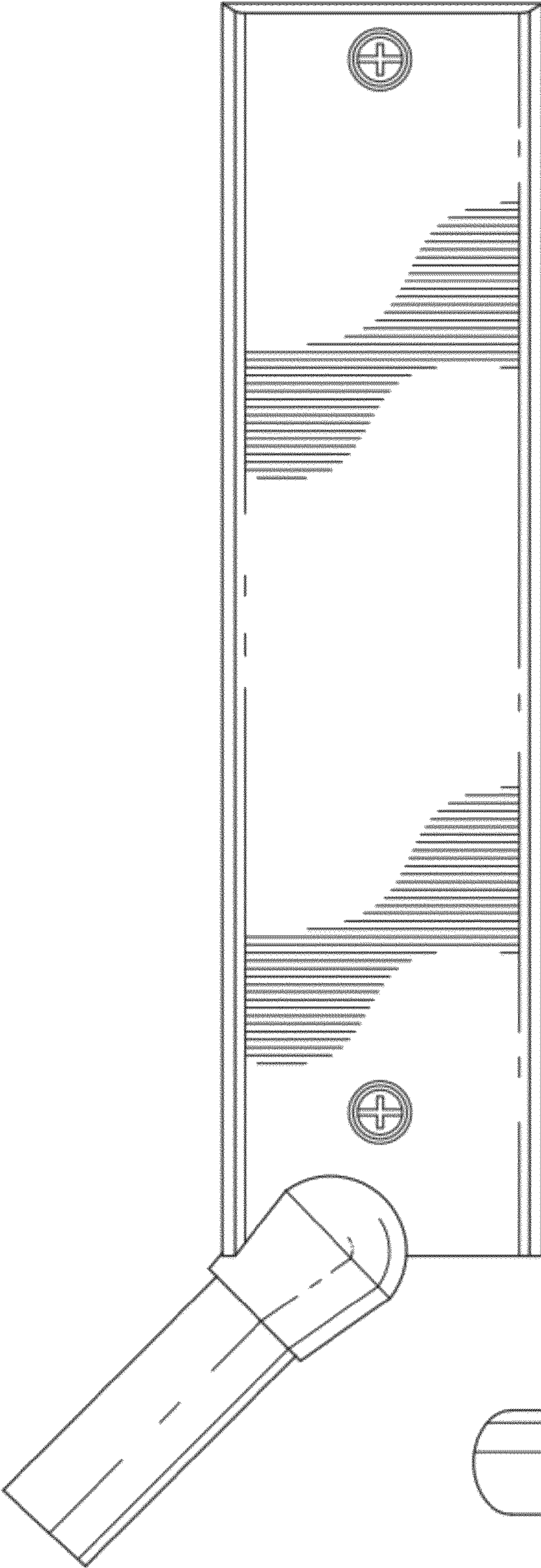


FIG. 3

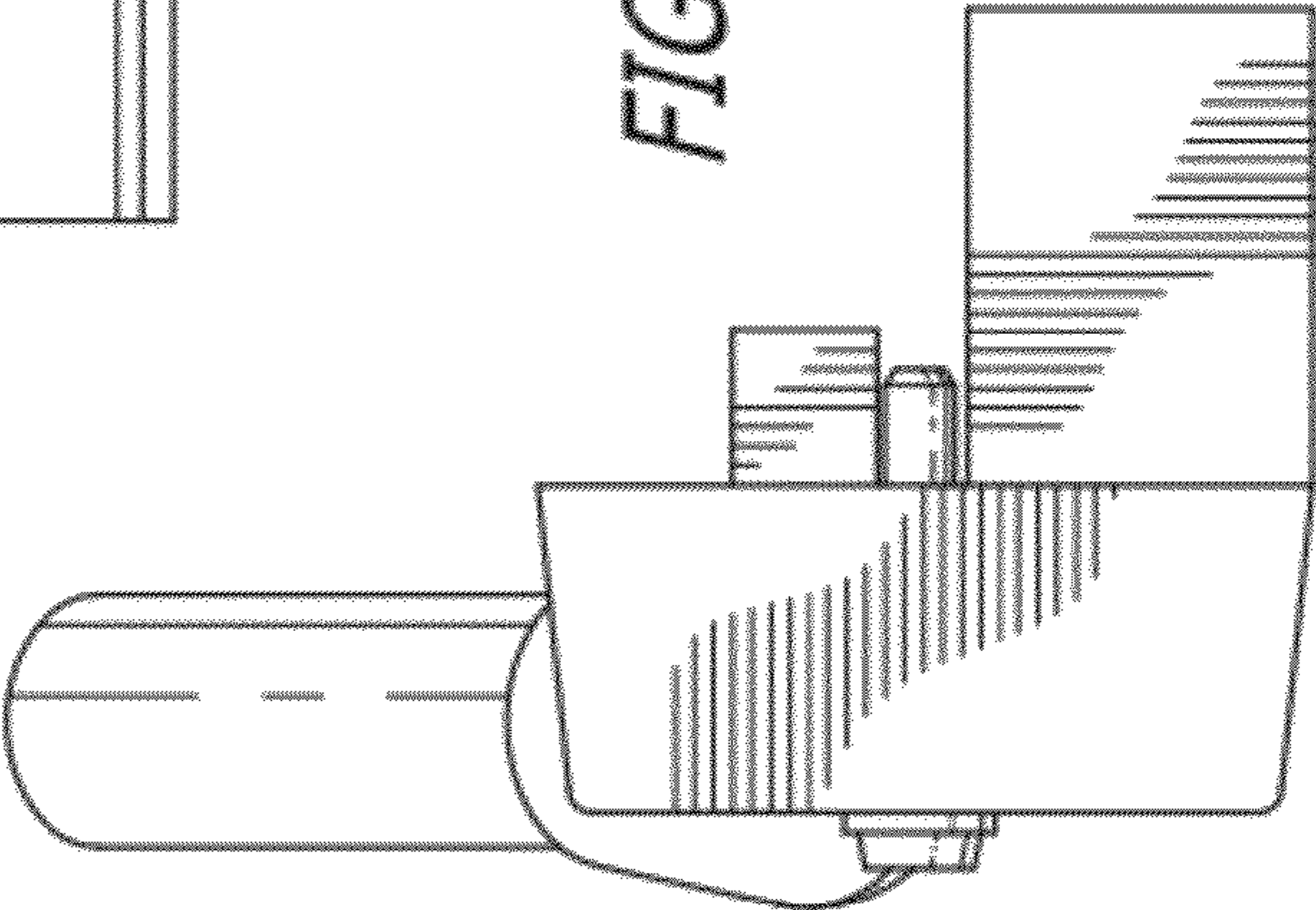


FIG. 4

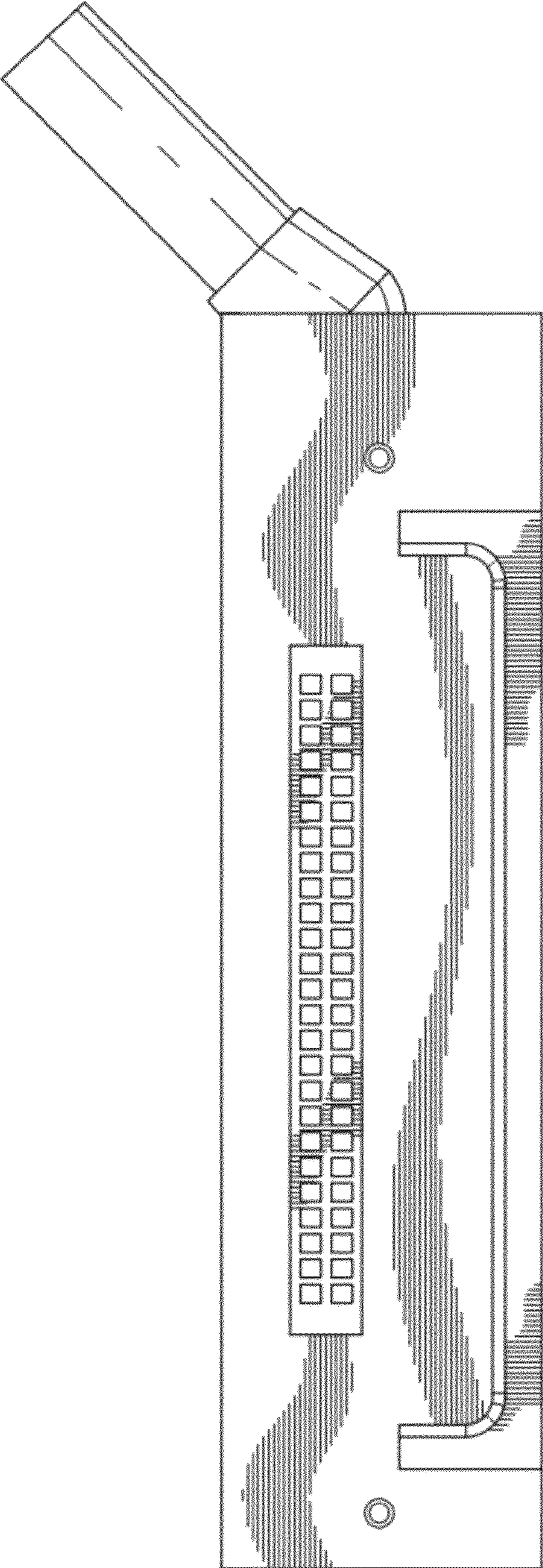


FIG. 5

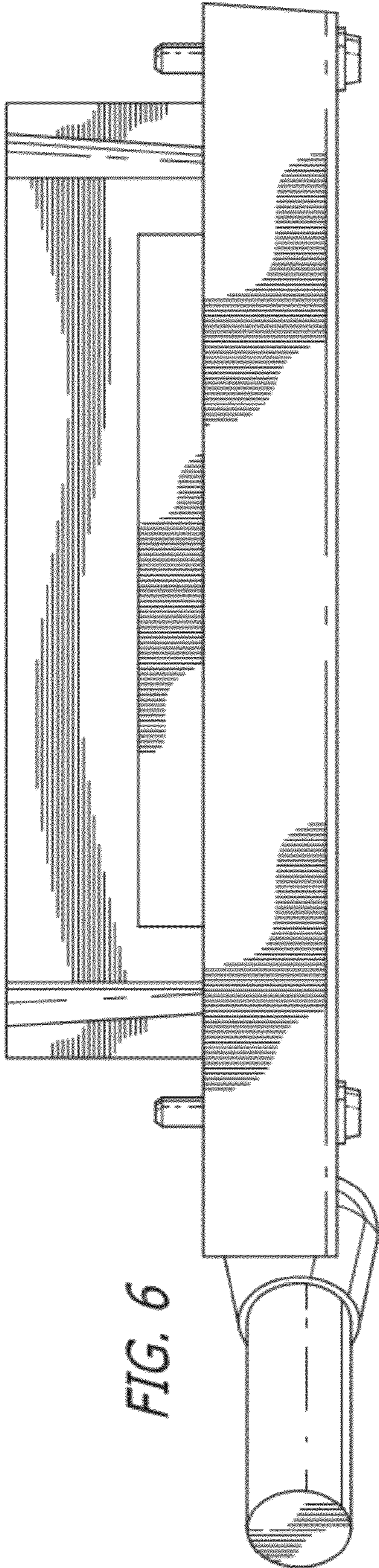


FIG. 6

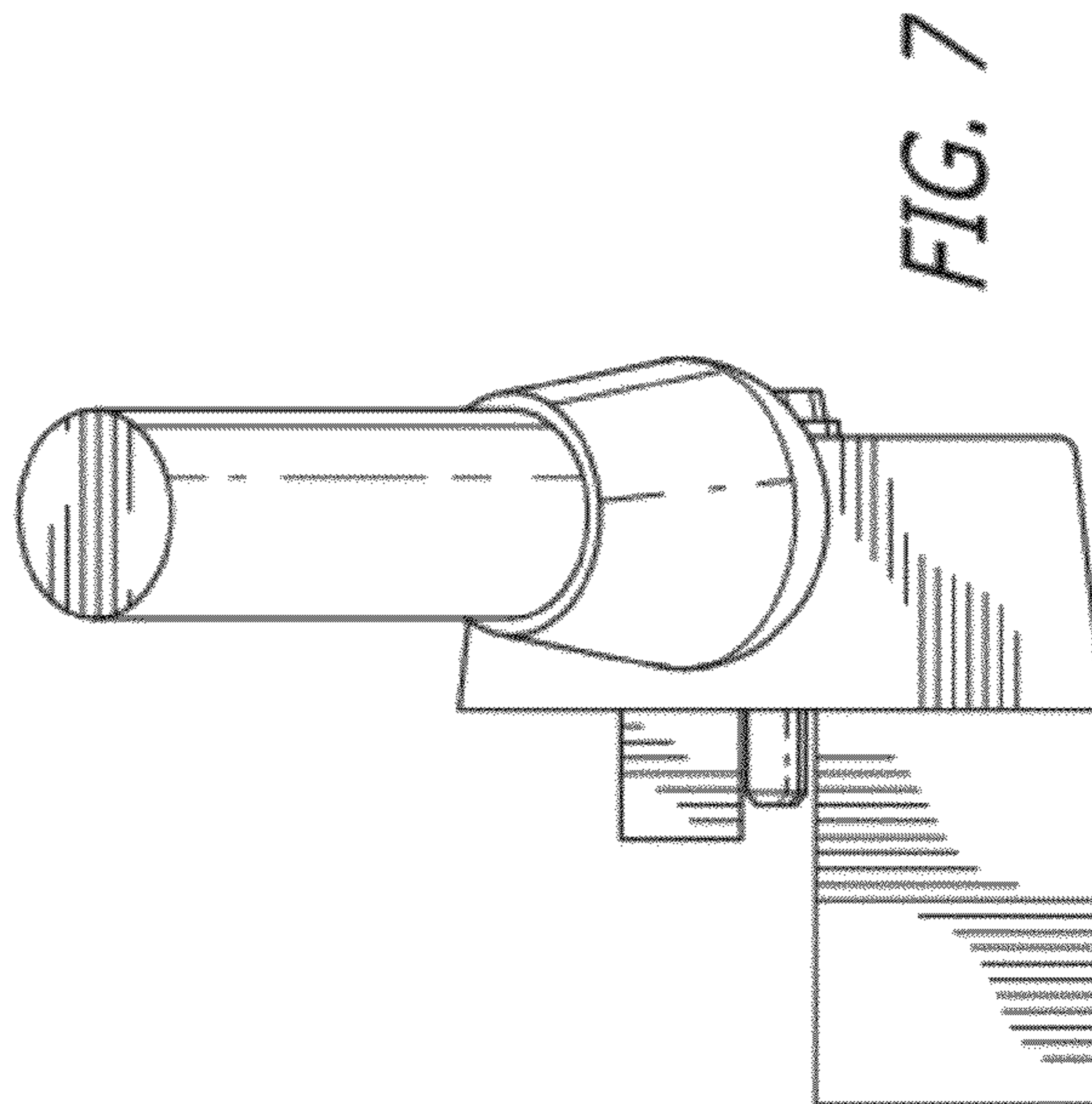


FIG. 7