



US00D658124S

(12) **United States Design Patent**
Lee et al.

(10) **Patent No.:** **US D658,124 S**
(45) **Date of Patent:** **** Apr. 24, 2012**

(54) **WIND TURBINE**

(75) Inventors: **Chien-Ho Lee**, Taoyuan Hsien (TW);
Jui-Hsiang Kao, Taoyuan Hsien (TW);
Hsu-Fan Ai, Taoyuan Hsien (TW)

(73) Assignee: **Delta Electronics, Inc.**, Kuei San,
Taoyuan Hsien (TW)

(**) Term: **14 Years**

(21) Appl. No.: **29/389,311**

(22) Filed: **Apr. 8, 2011**

(51) **LOC (9) Cl.** **13-01**

(52) **U.S. Cl.** **D13/115**

(58) **Field of Classification Search** D13/115,
D13/101, 199; D15/1, 199; 290/43, 44;
415/4.1, 4.3, 4.5, 56.3, 122.1; 416/9, 12,
416/23, 24, 32, 37, 38, 44, 115, 117, 132 B,
416/132 R, 142, 169, 196 A, 197 A

See application file for complete search history.

(56) **References Cited**

U.S. PATENT DOCUMENTS

D271,303 S * 11/1983 Ovelmen D15/1
4,498,017 A * 2/1985 Parkins 290/44

5,354,175 A * 10/1994 Coleman et al. 416/9
D517,986 S * 3/2006 Wobben D13/115
D584,686 S * 1/2009 Gudewer D13/115
D602,861 S * 10/2009 Talab D13/115

* cited by examiner

Primary Examiner — Derrick Holland

(74) *Attorney, Agent, or Firm* — Muncy, Geissler, Olds &
Lowe, PLLC

(57) **CLAIM**

The ornamental design for a wind turbine, as shown and
described.

DESCRIPTION

FIG. 1 is a perspective view of a wind turbine showing our
new design;

FIG. 2 is a right side view thereof;

FIG. 3 is a top view thereof;

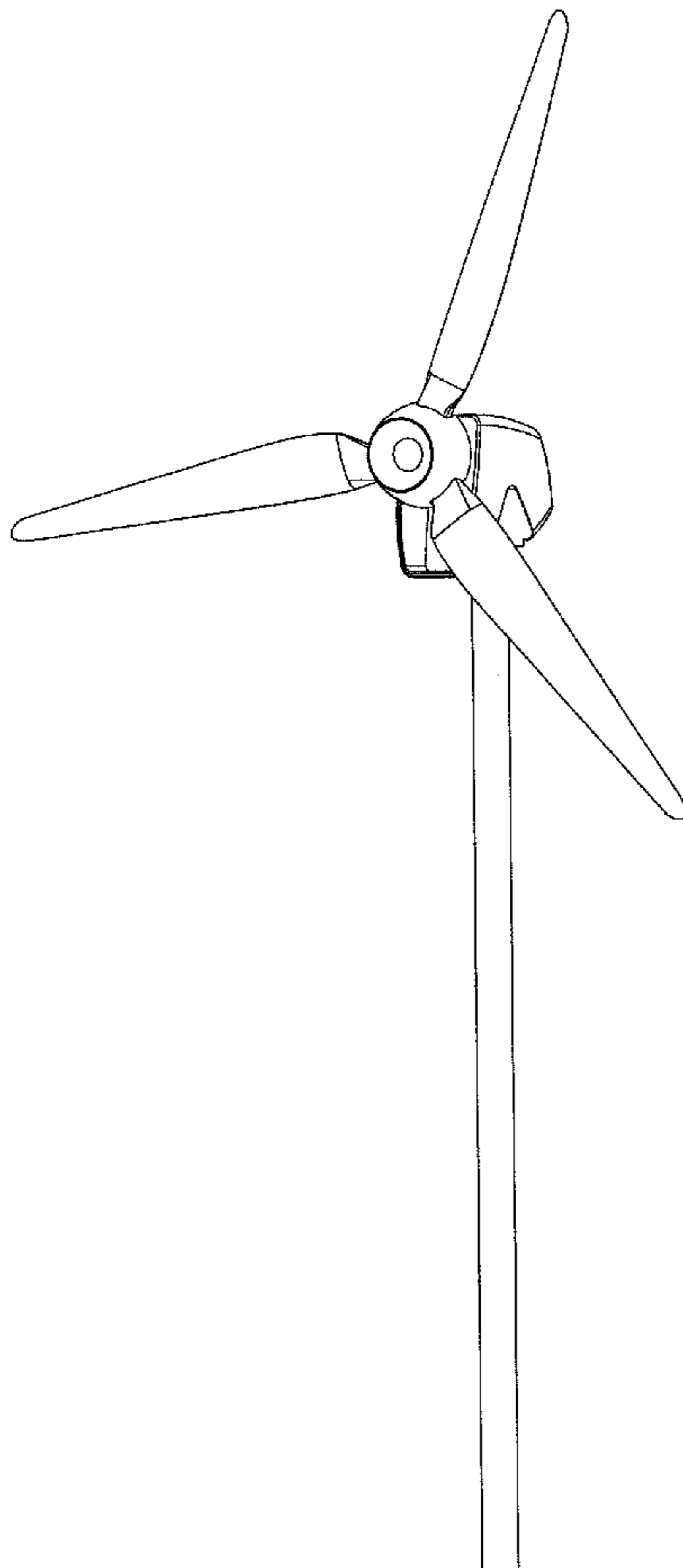
FIG. 4 is a front view thereof;

FIG. 5 is a bottom view thereof;

FIG. 6 is a left side view thereof; and,

FIG. 7 is a rear view thereof.

1 Claim, 7 Drawing Sheets



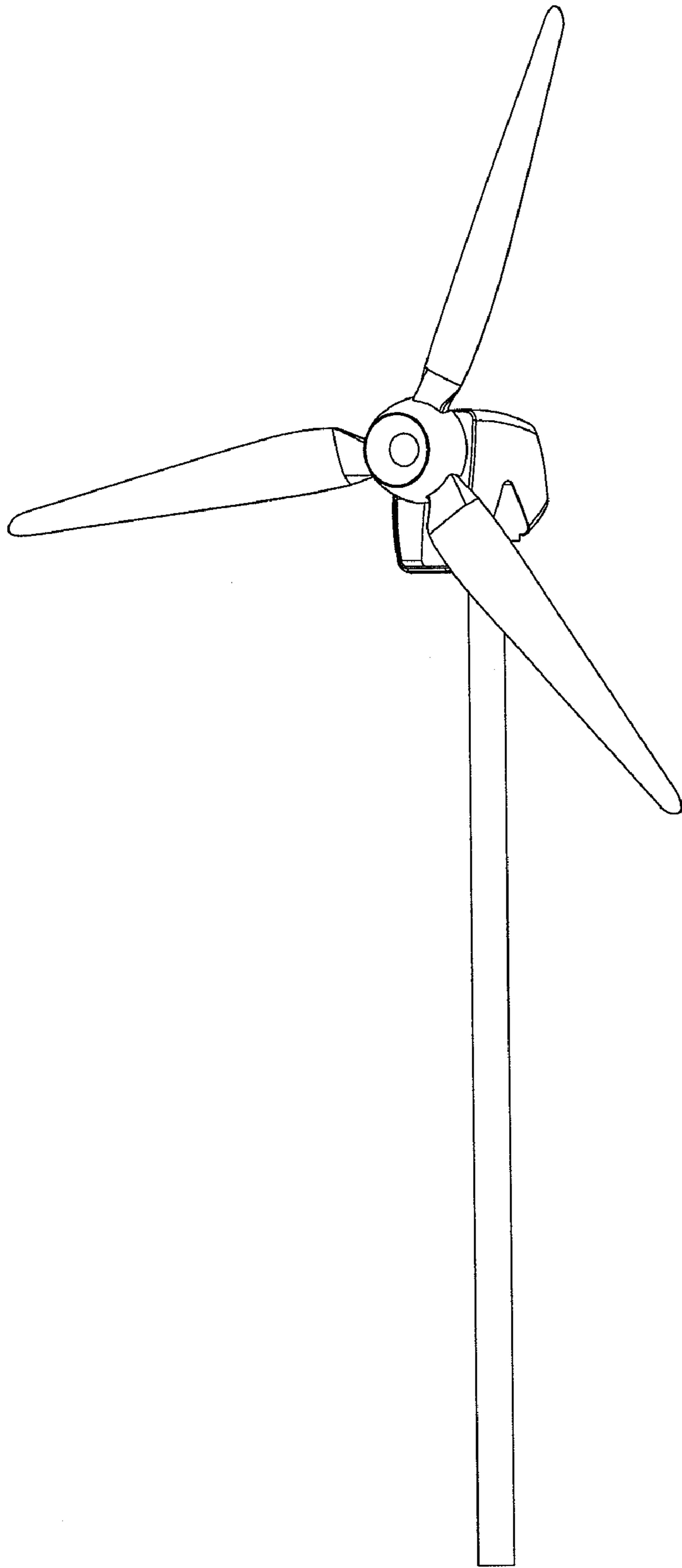


FIG. 1

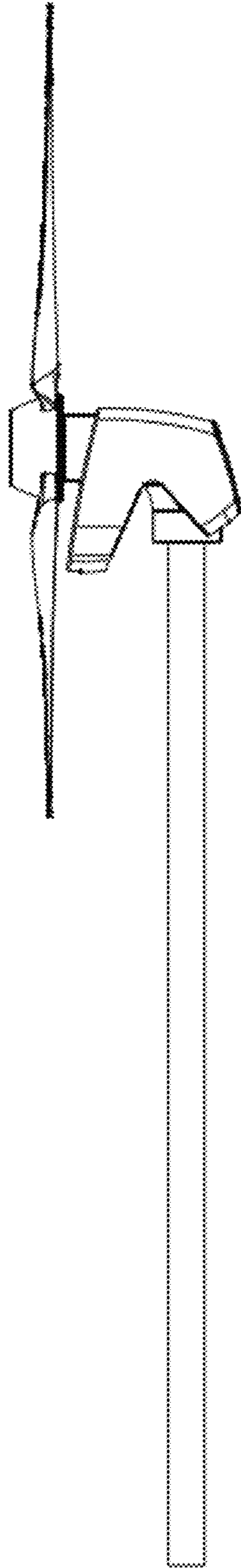


FIG. 2

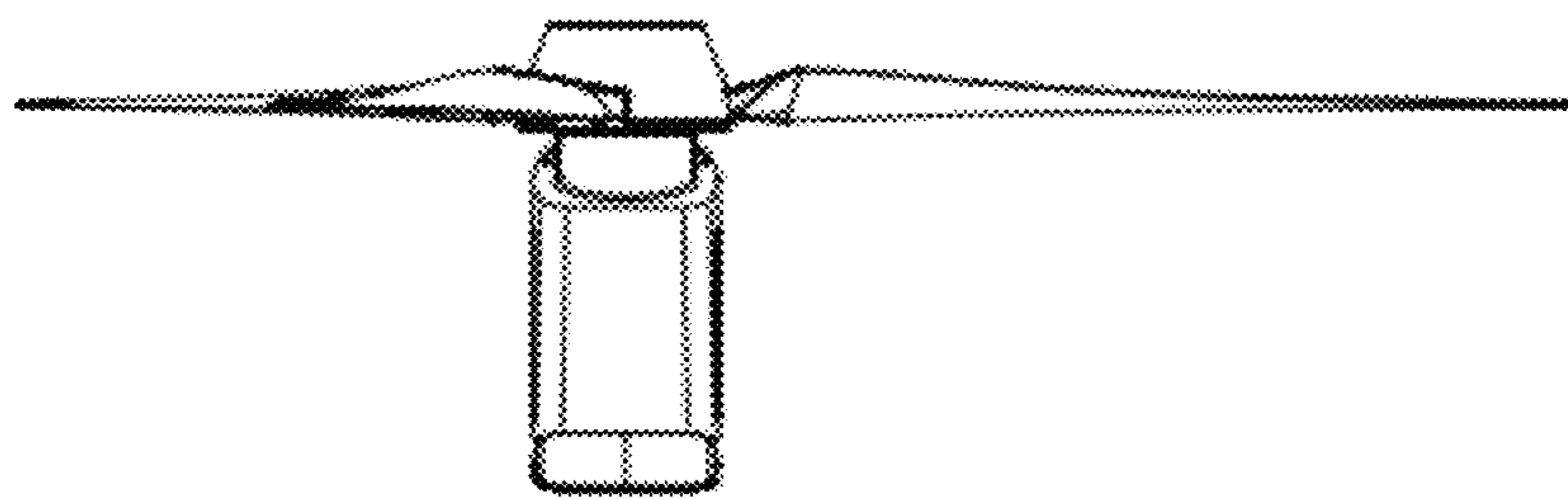


FIG. 3

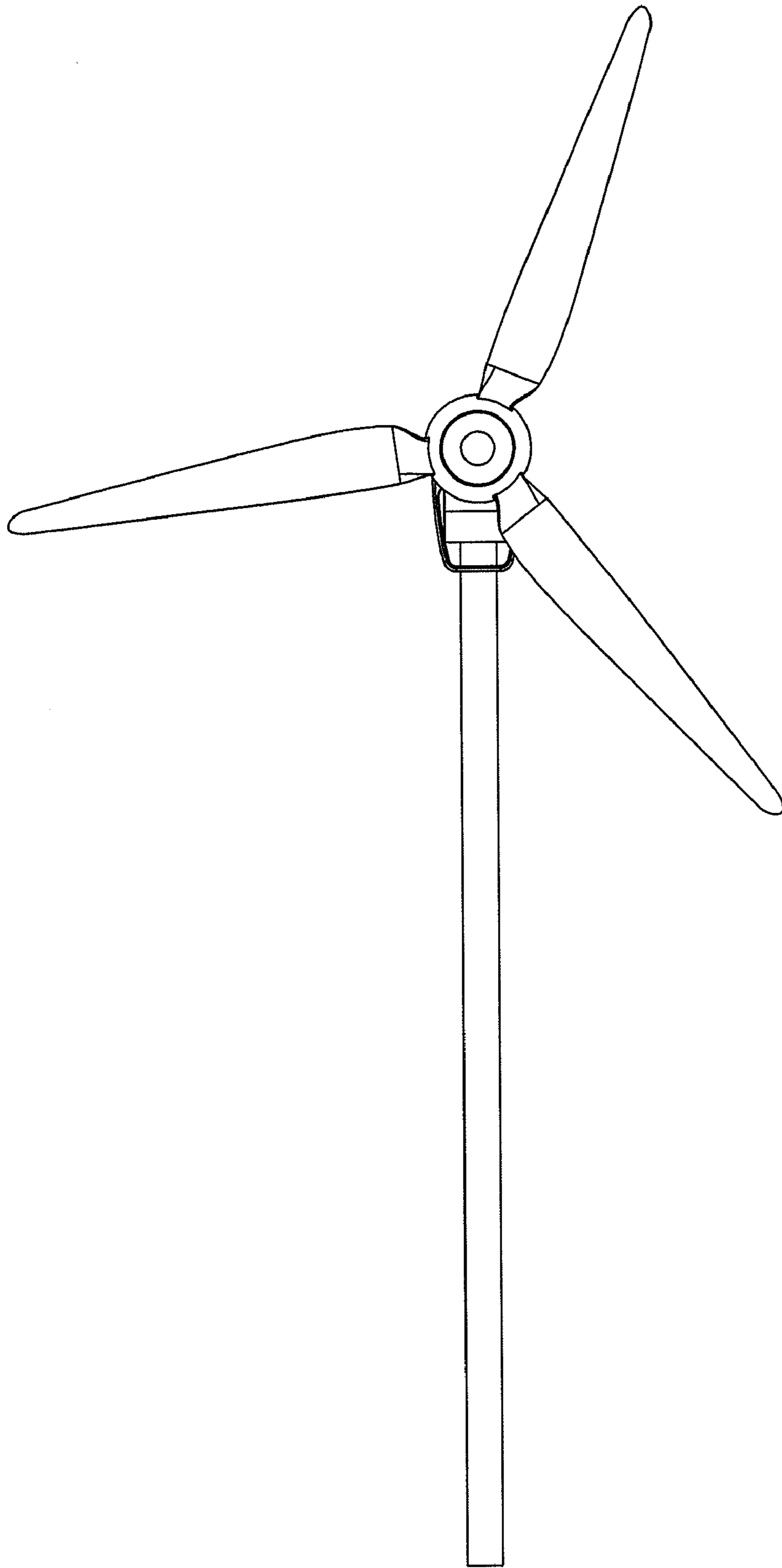


FIG. 4

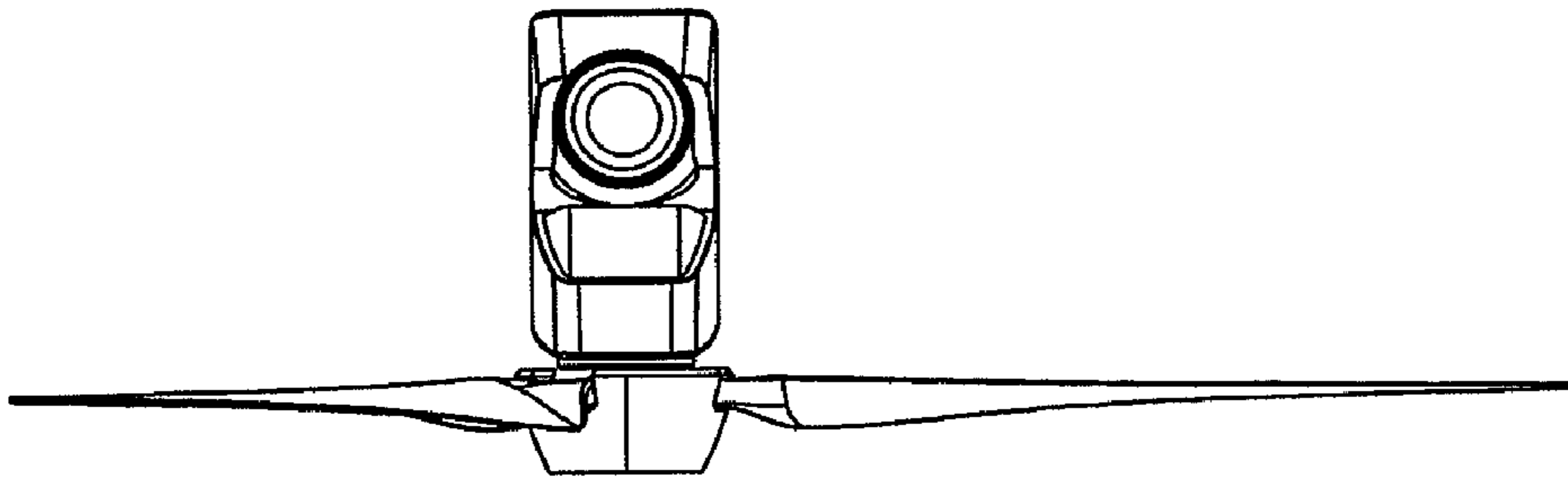


FIG. 5

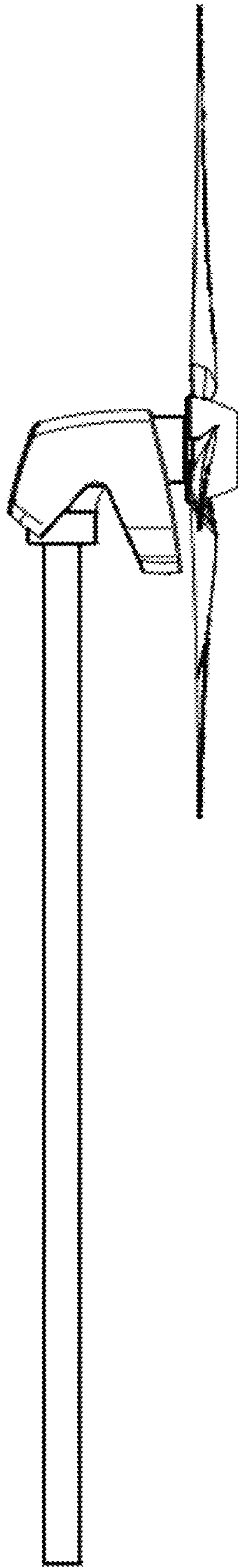


FIG. 6

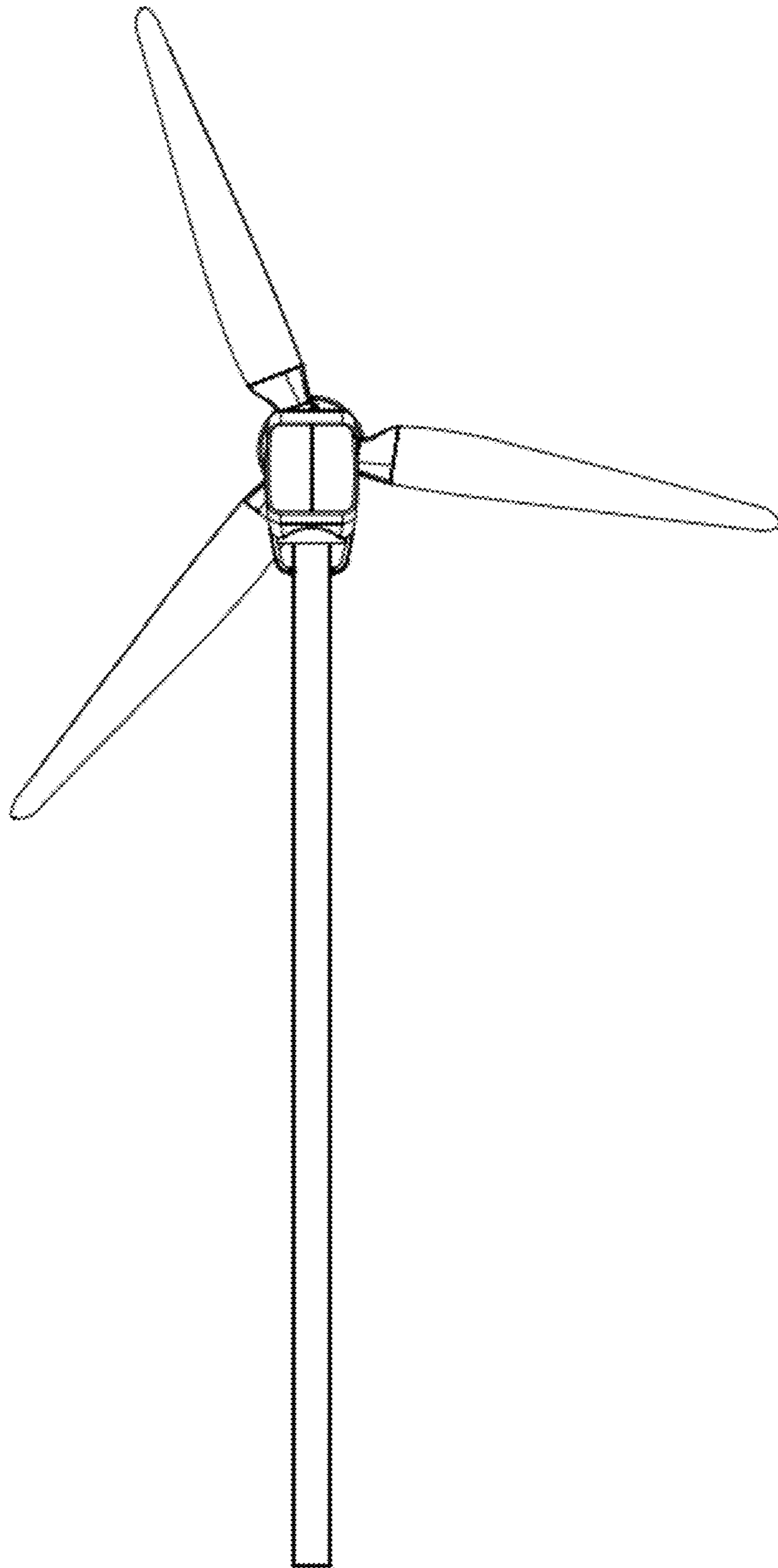


FIG. 7