



US00D658111S

(12) **United States Design Patent**
Cairo

(10) **Patent No.:** **US D658,111 S**

(45) **Date of Patent:** **** Apr. 24, 2012**

(54) **REMOVEABLE HARD TOP FOR A MOTOR VEHICLE**

(76) Inventor: **Orlando Cairo**, Ft. Lauderdale, FL (US)

(**) Term: **14 Years**

(21) Appl. No.: **29/401,275**

(22) Filed: **Sep. 9, 2011**

(51) **LOC (9) Cl.** **12-16**

(52) **U.S. Cl.** **D12/401**

(58) **Field of Classification Search** D12/401-405;
160/370.21, 370.22, 370.23; 280/770; 150/158,
150/165-167; 224/328; 296/136.01, 95.1,
296/84.1, 77.1; 135/88.01, 88.1, 91, 93,
135/95

See application file for complete search history.

(56) **References Cited**

U.S. PATENT DOCUMENTS

2,765,192	A *	10/1956	Blake	296/107.01
D191,443	S *	10/1961	Jordan	D12/92
D205,132	S *	6/1966	Porsche, Jr.	D12/91
D352,494	S *	11/1994	Hubbach et al.	D12/401
5,533,777	A *	7/1996	Kleemann et al.	296/117
D385,845	S *	11/1997	Wagner	D12/401
D391,547	S *	3/1998	Lehmann et al.	D12/401
D472,870	S *	4/2003	Friedrich	D12/404
D489,672	S *	5/2004	Robinson et al.	D12/401
D613,233	S *	4/2010	Larson	D12/401

* cited by examiner

Primary Examiner — Caron D Veynar

Assistant Examiner — Katrina A Betton

(74) *Attorney, Agent, or Firm* — Robert M. Downey, P.A.

(57) **CLAIM**

The ornamental design for a removeable hard top for a motor vehicle, as shown and described.

DESCRIPTION

FIG. 1 is a top side perspective view of a removeable hard top for a motor vehicle showing my new design, wherein the motor vehicle is shown in broken lines and forms no part of the claimed design;

FIG. 2 is a top front perspective view of the removeable hard top for a motor vehicle;

FIG. 3 is a top rear perspective view thereof;

FIG. 4 is a top left side perspective view thereof;

FIG. 5 is a front perspective view thereof;

FIG. 6 is a rear perspective view thereof;

FIG. 7 is a left side elevational view thereof, the right side elevational view being identical thereto;

FIG. 8 is a top plan view thereof;

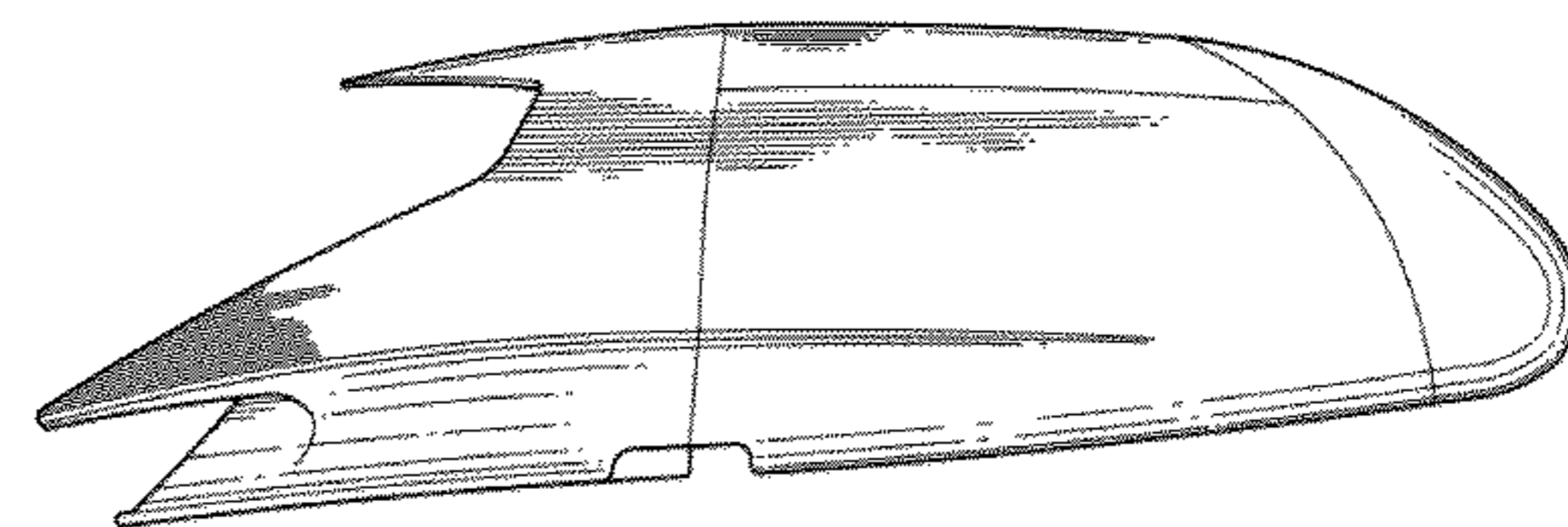
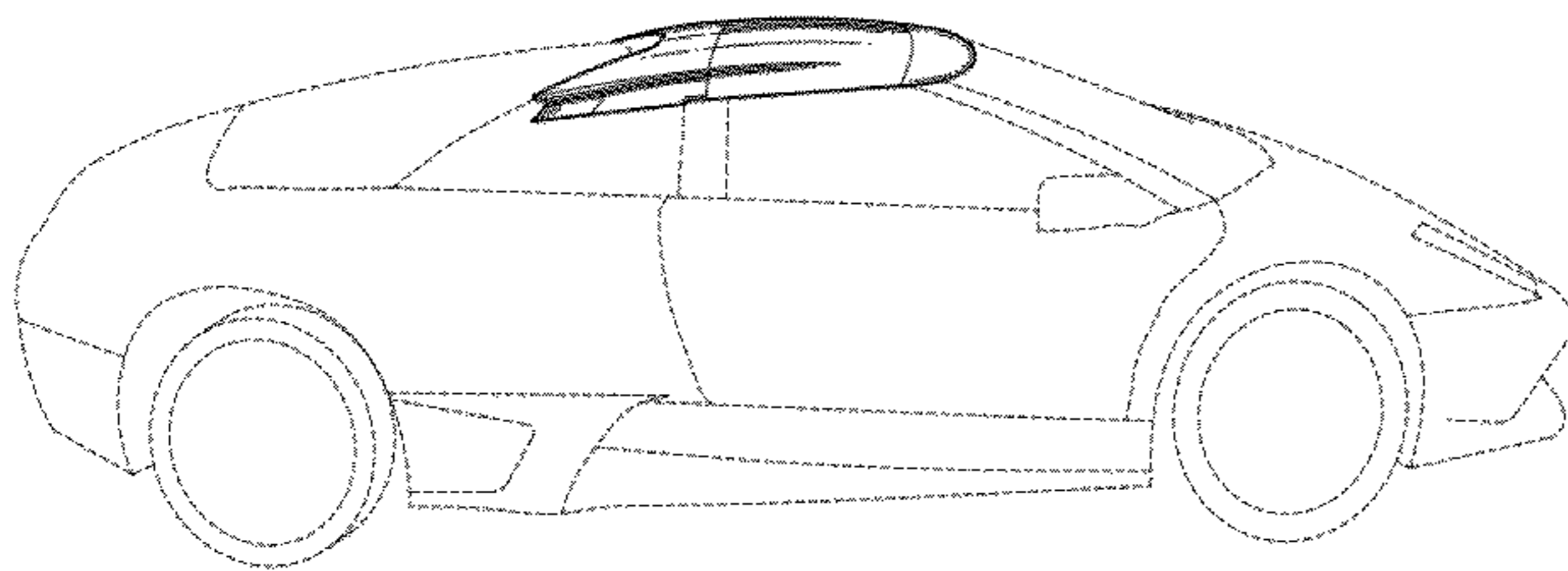
FIG. 9 is a bottom plan view thereof;

FIG. 10 is a front elevational view thereof; and,

FIG. 11 is a rear elevational view thereof.

The broken lines shown in FIGS. 1, 9 and 11 are for illustrative purposes and form no part of the claimed design.

1 Claim, 11 Drawing Sheets



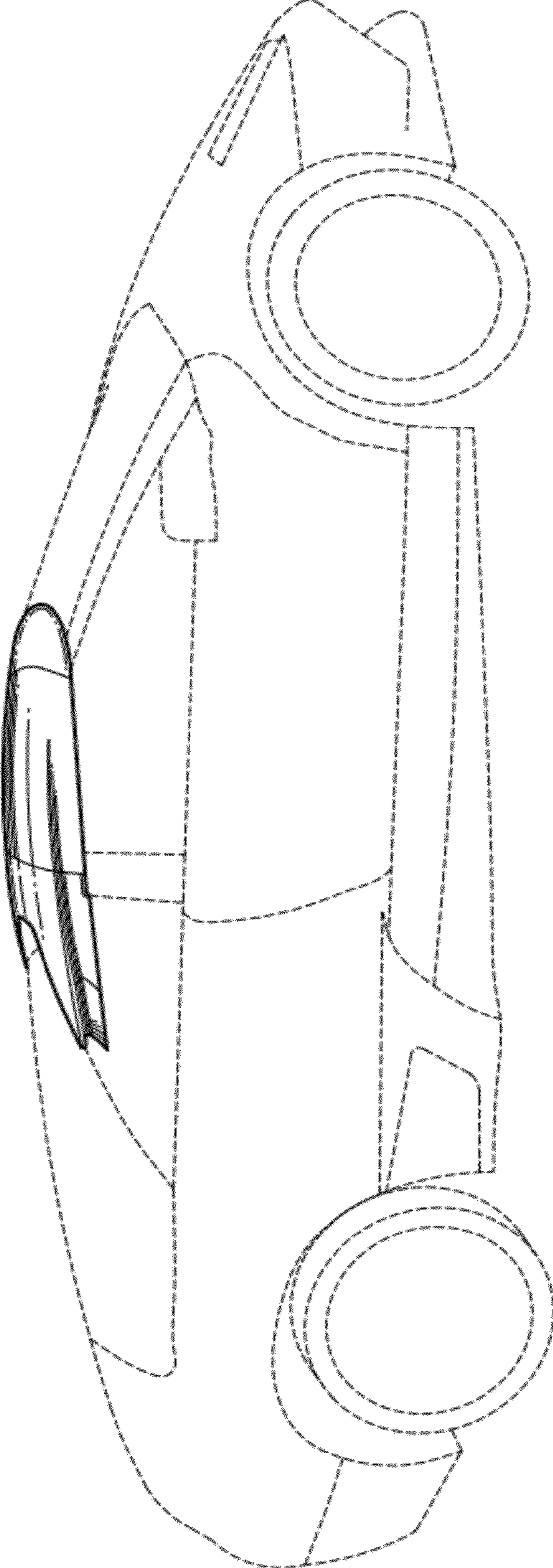


FIG. 1

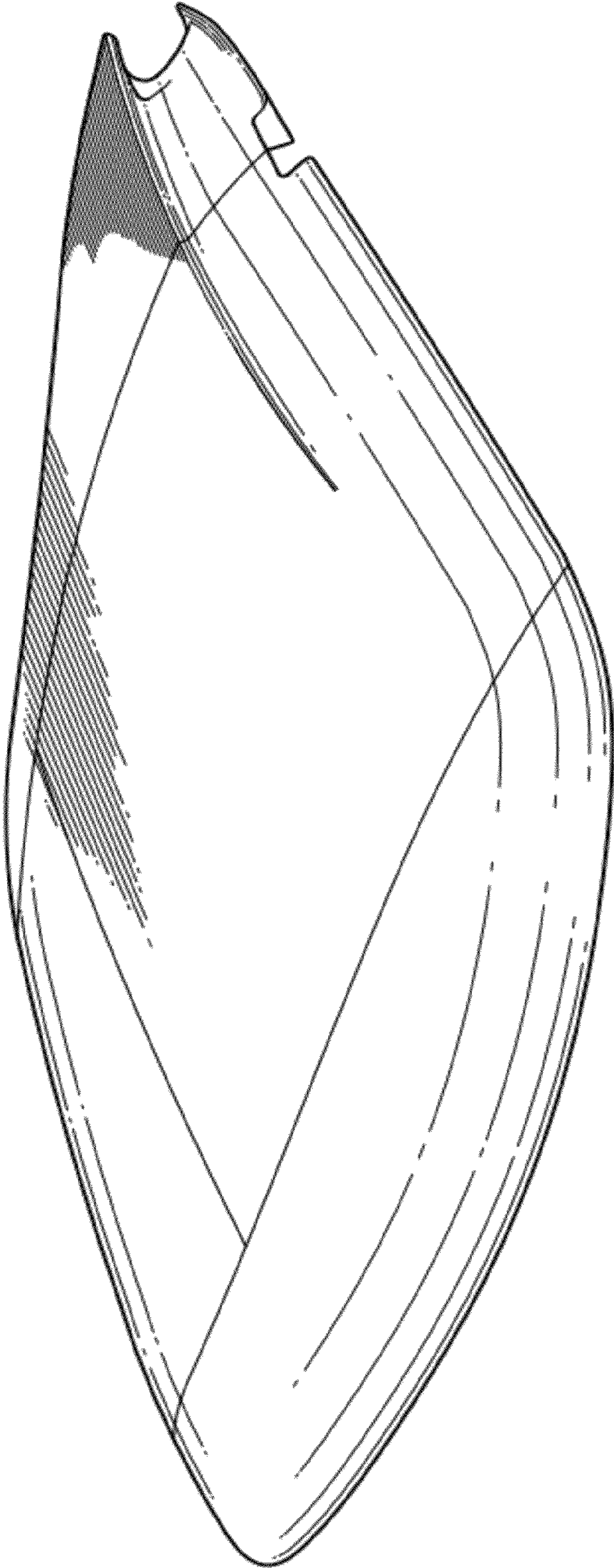


FIG. 2

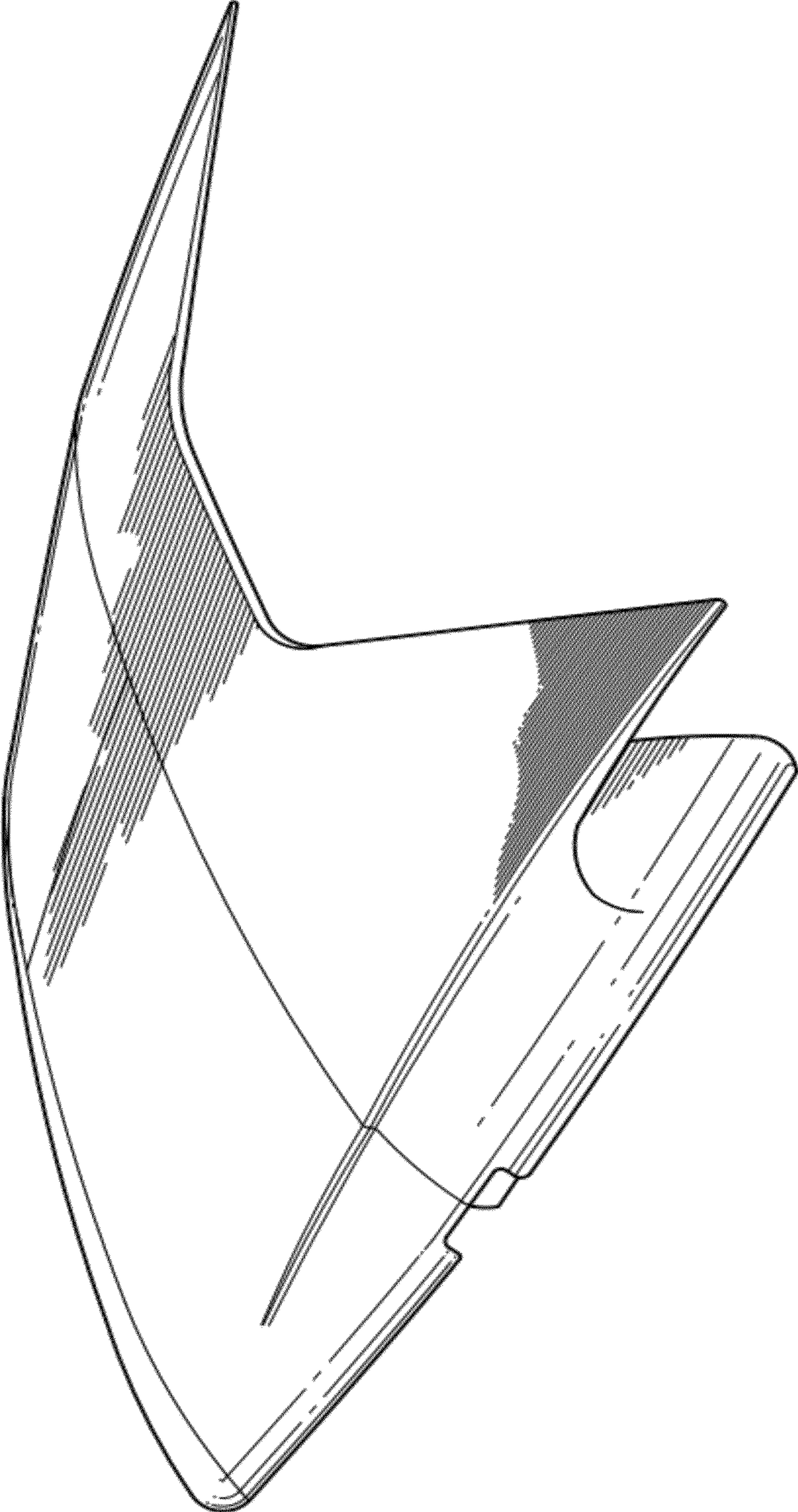


FIG. 3

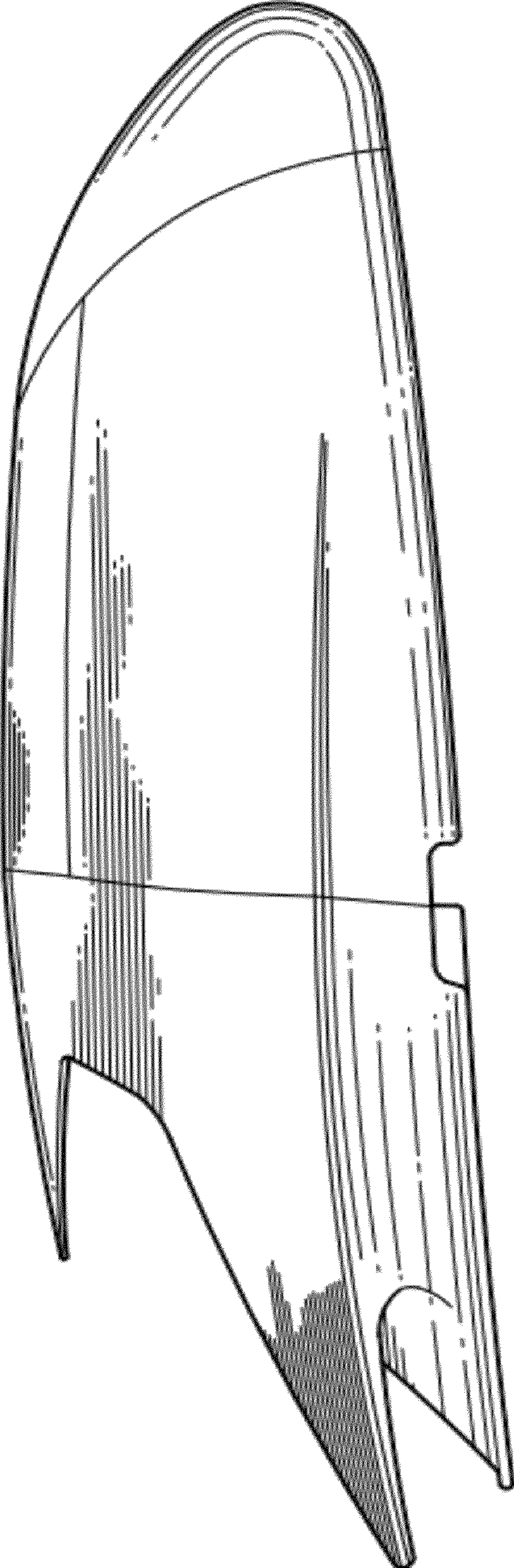


FIG. 4

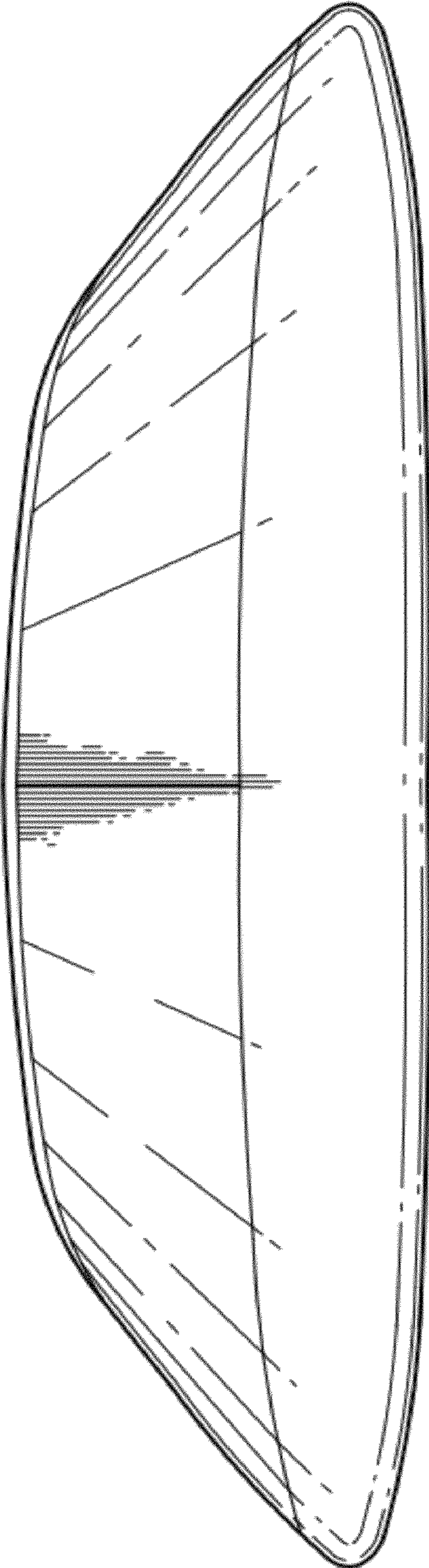


FIG. 5

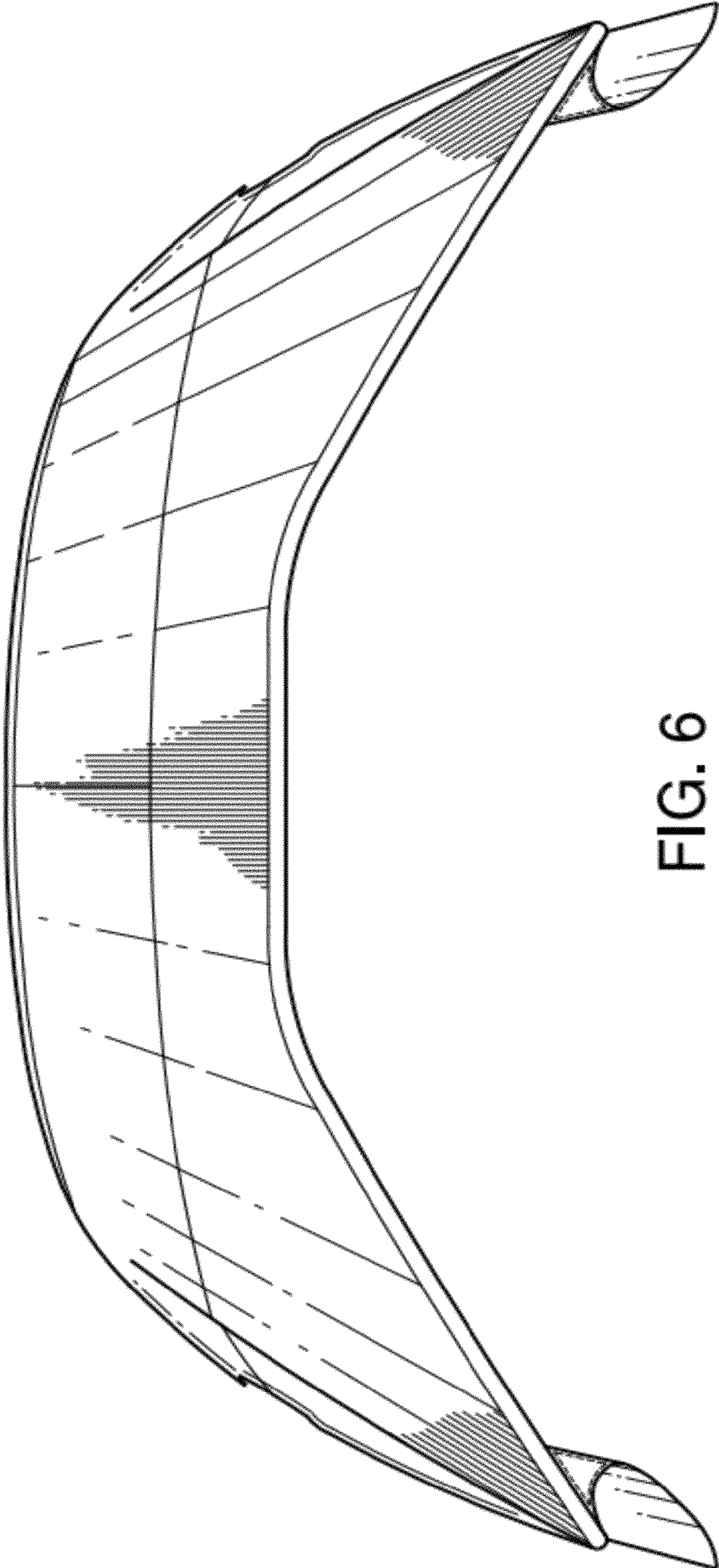


FIG. 6

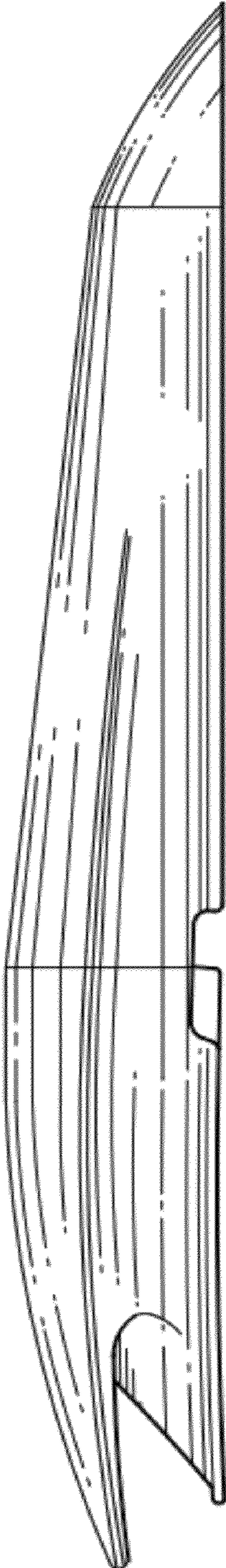


FIG.7

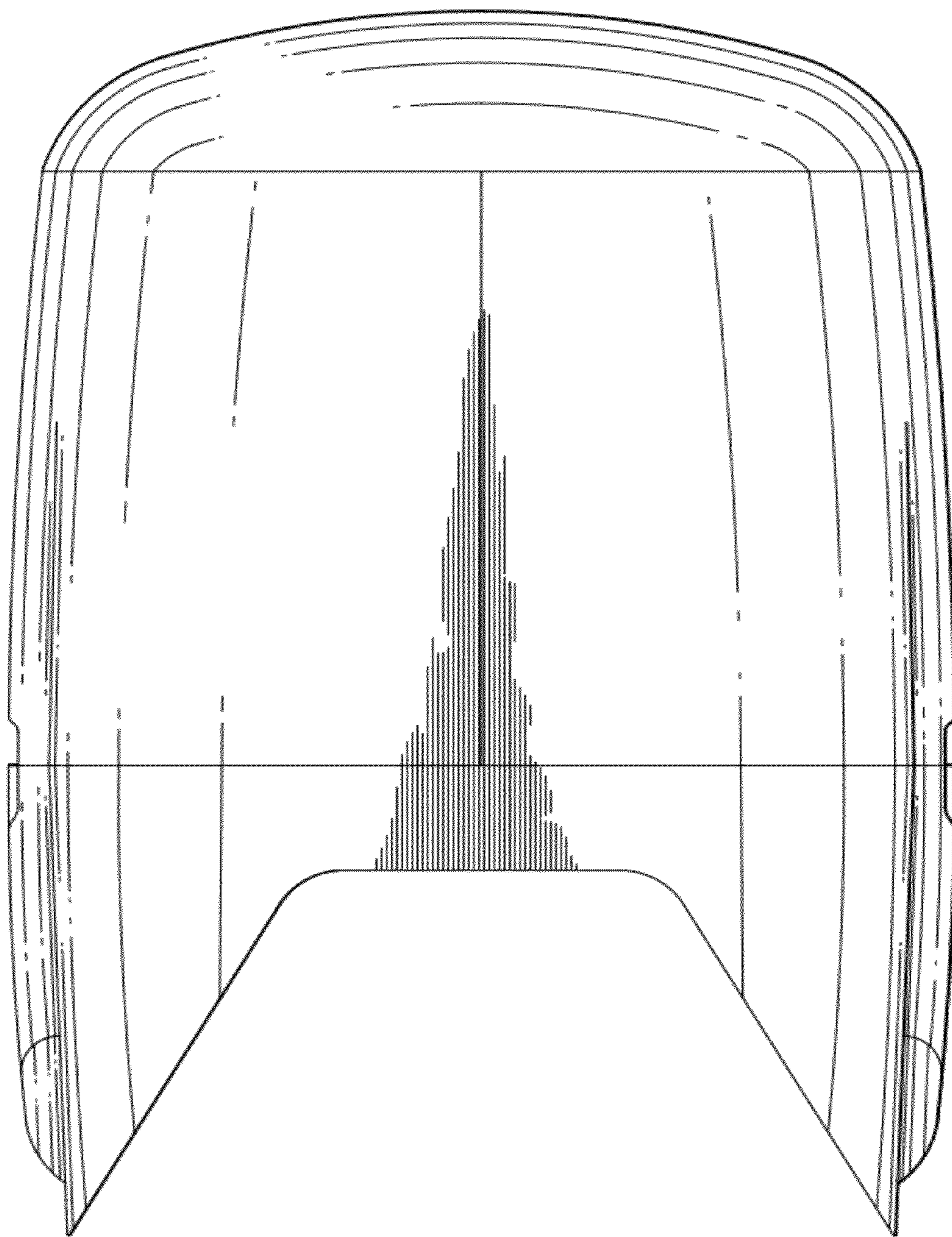


FIG.8

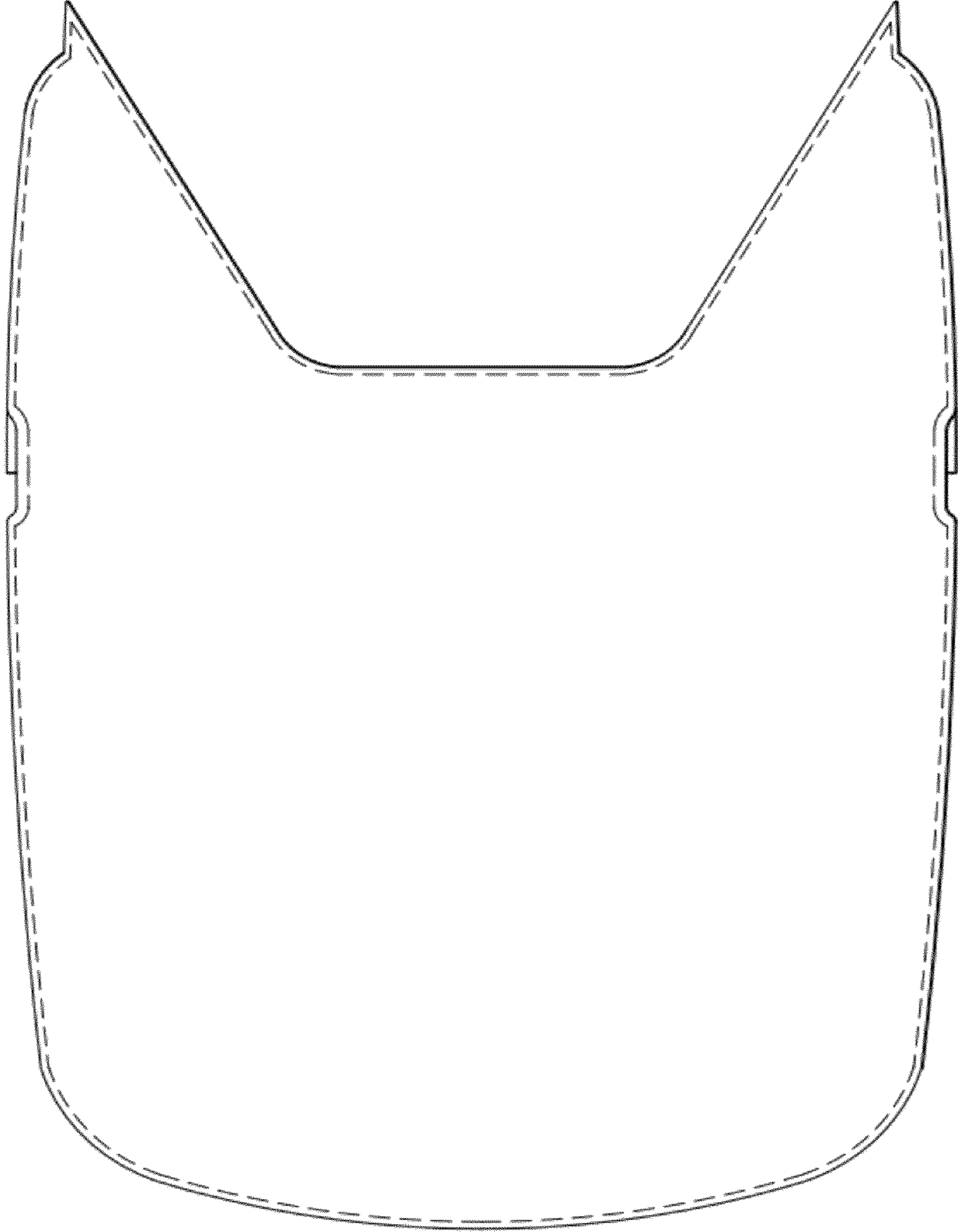


FIG.9

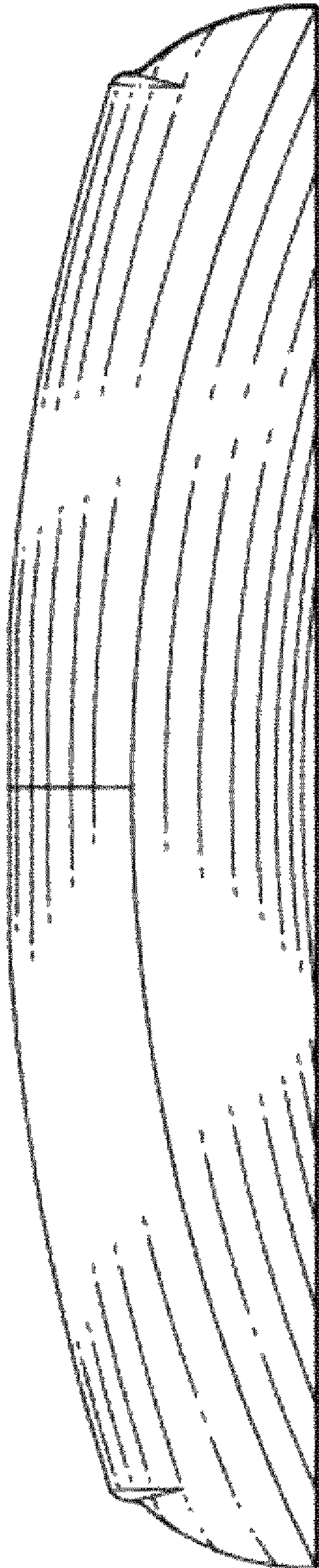


FIG.10

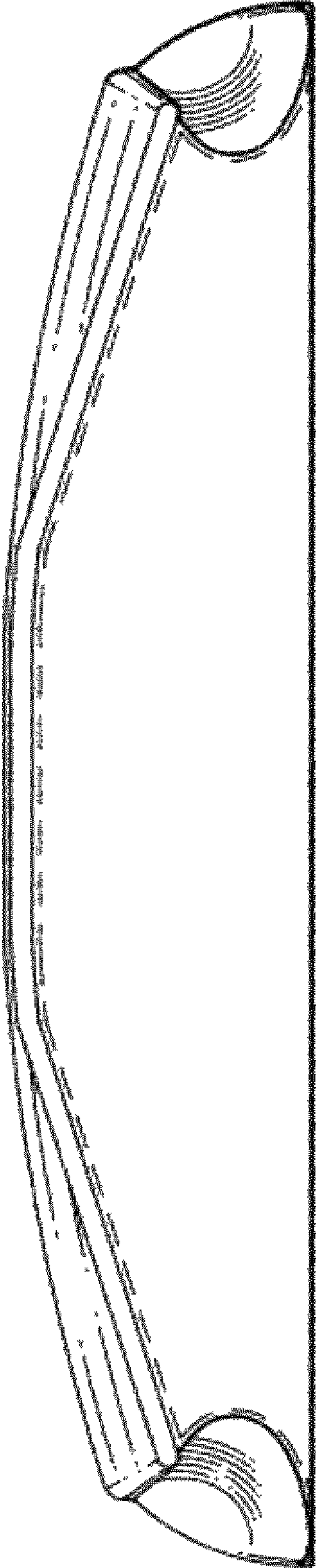


FIG.11