



US00D658105S

(12) **United States Design Patent**  
**Hans et al.**

(10) **Patent No.:** **US D658,105 S**

(45) **Date of Patent:** **\*\* Apr. 24, 2012**

(54) **WHEEL OR WHEEL COVER**

(75) Inventors: **Bernhard Hans**, Affalterbach (DE); **Kai Hilpert**, Affalterbach (DE)

(73) Assignee: **Daimler AG**, Stuttgart (DE)

(\*\*) Term: **14 Years**

(21) Appl. No.: **29/371,523**

(22) Filed: **Mar. 31, 2011**

(30) **Foreign Application Priority Data**

Oct. 1, 2010 (EM) ..... 001762253-0005

(51) **LOC (9) Cl.** ..... **12-16**

(52) **U.S. Cl.** ..... **D12/211**

(58) **Field of Classification Search** ..... D12/204-213;  
301/37.101, 64.101, 65, 64.201

See application file for complete search history.

(56) **References Cited**

**U.S. PATENT DOCUMENTS**

- D450,649 S \* 11/2001 Penzes ..... D12/211
- D522,950 S \* 6/2006 Pfeiffer ..... D12/211
- D543,923 S \* 6/2007 Hieke ..... D12/211

- D596,548 S \* 7/2009 Gallert ..... D12/211
- D610,516 S \* 2/2010 Dilber et al. .... D12/211
- D623,111 S \* 9/2010 Spoerle ..... D12/211
- D625,244 S \* 10/2010 Zhao ..... D12/211
- D632,239 S \* 2/2011 Gallert ..... D12/211
- D638,765 S \* 5/2011 Yoon ..... D12/211
- D638,766 S \* 5/2011 Hilpert ..... D12/211

\* cited by examiner

*Primary Examiner* — Stacia Cadmus

(74) *Attorney, Agent, or Firm* — Crowell & Moring LLP

(57) **CLAIM**

The ornamental design for a wheel or wheel cover, as shown and described.

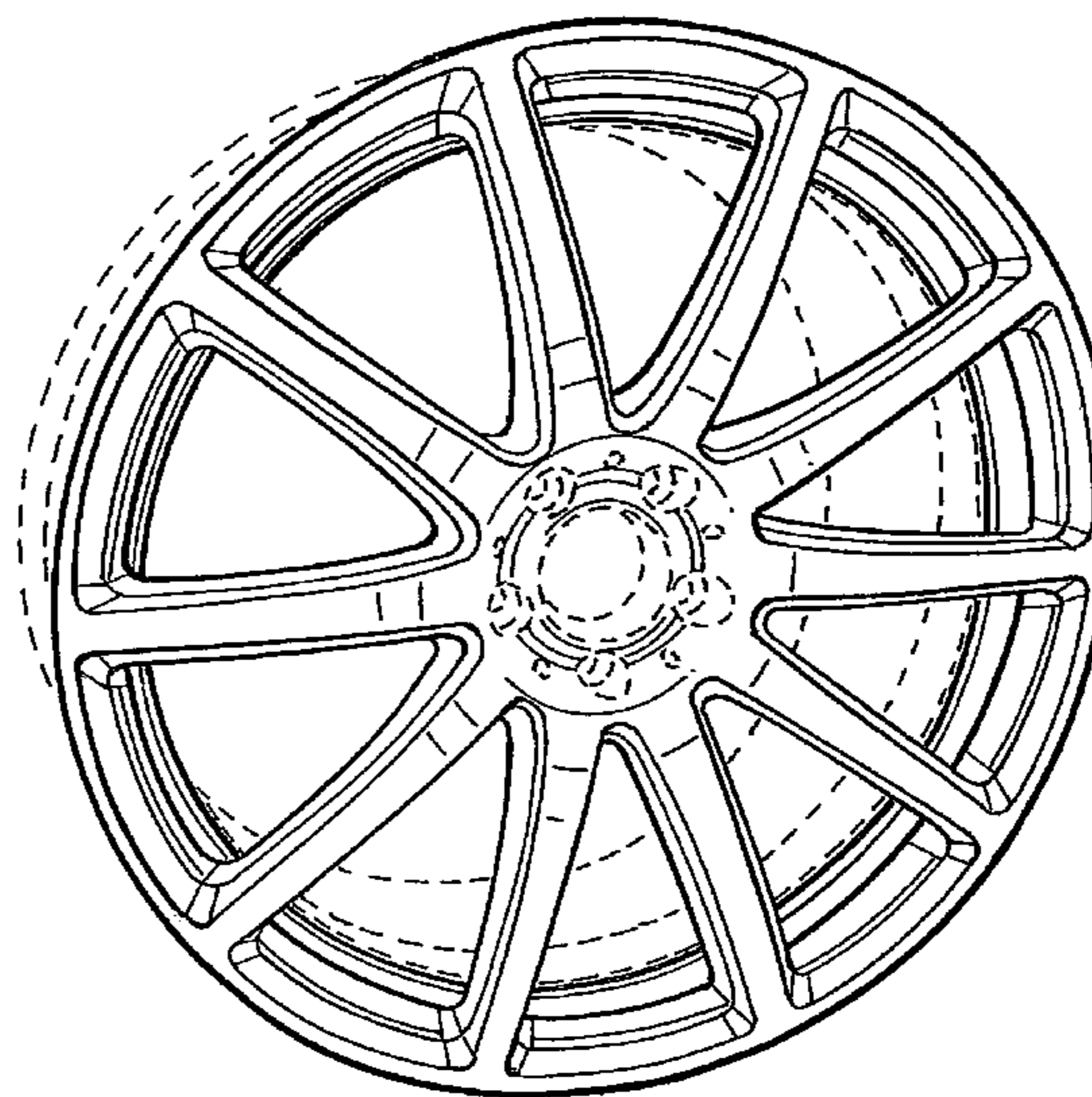
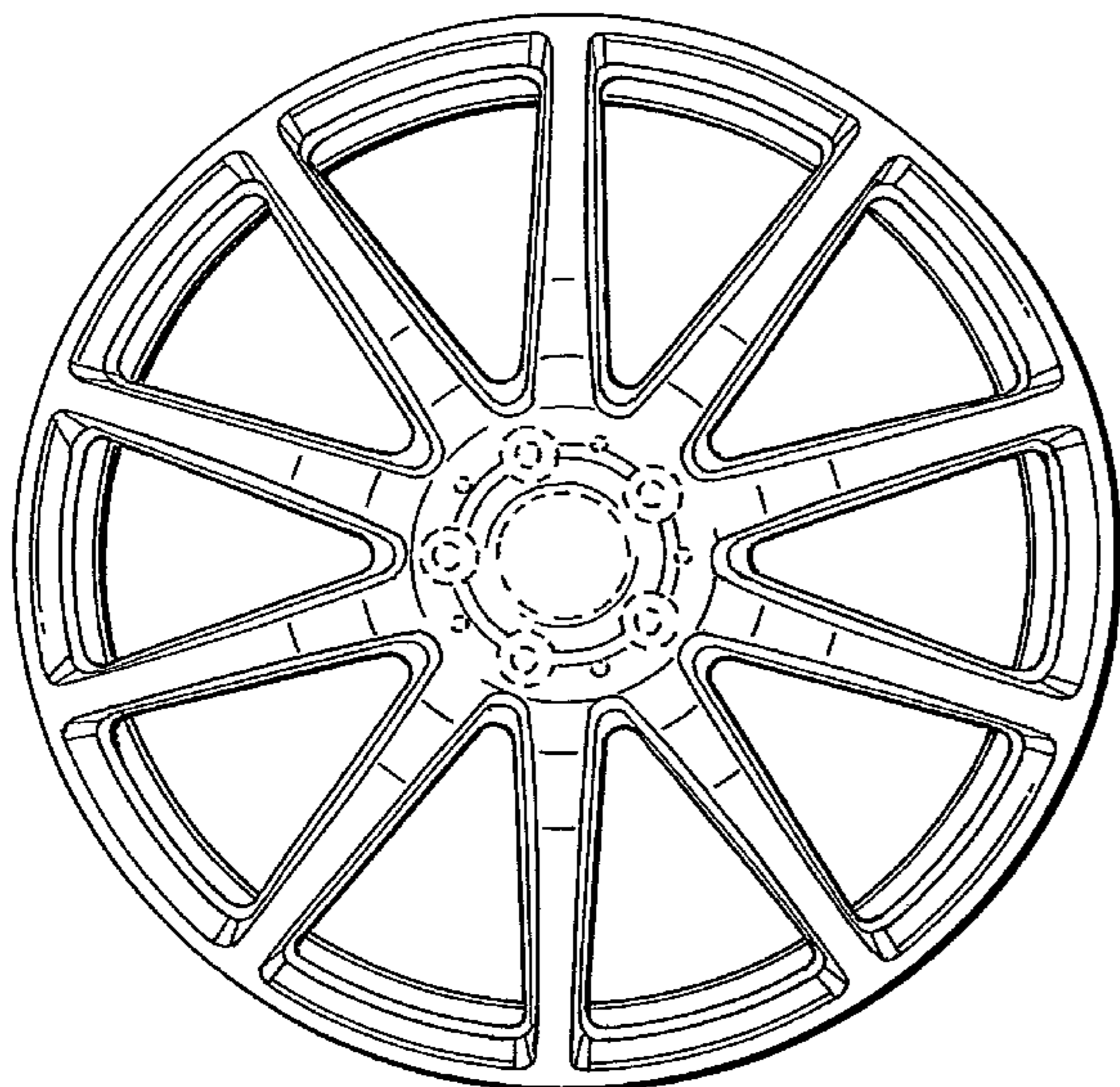
**DESCRIPTION**

FIG. 1 is a front view of a wheel or wheel cover according to our design; and,

FIG. 2 is a perspective view thereof.

The broken line showing of the rear of the wheel, and the bolt holes and the center opening in the central hub area is included for the purpose of illustrating environment and forms no part of the claimed design.

**1 Claim, 1 Drawing Sheet**



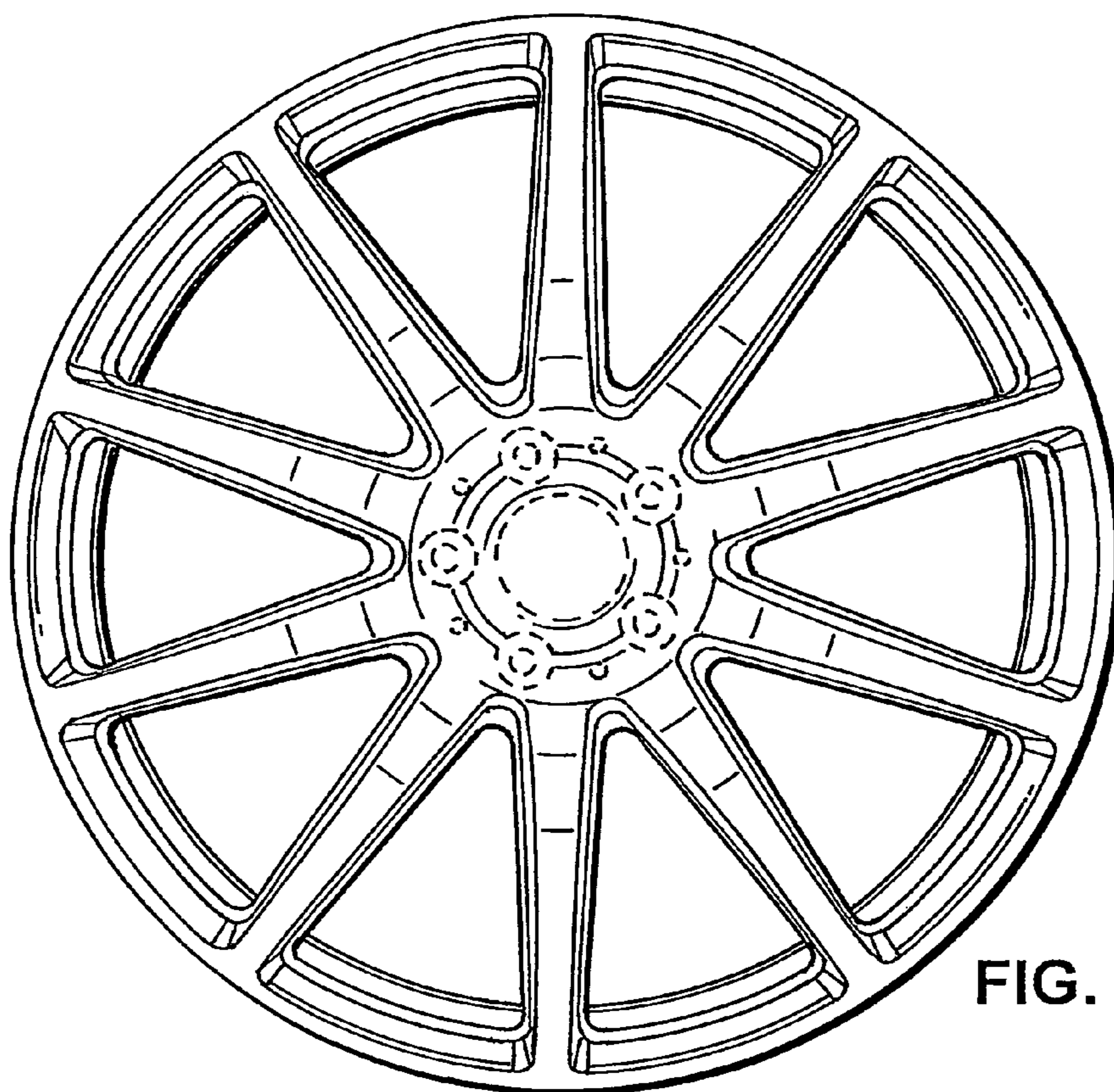


FIG. 1

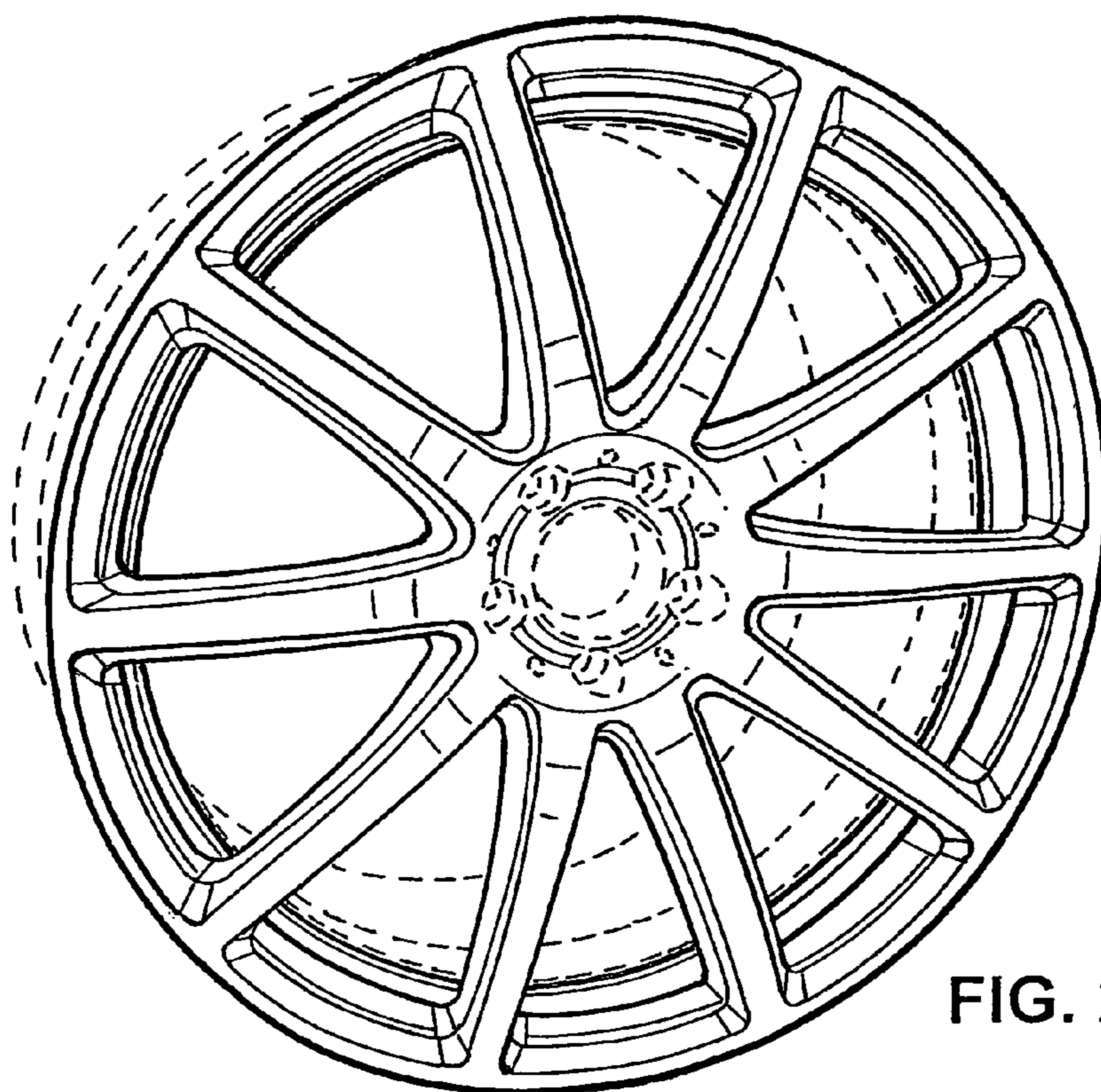


FIG. 2