

US00D658104S

(12) **United States Design Patent**
Dilber et al.

(10) **Patent No.:** **US D658,104 S**

(45) **Date of Patent:** **** Apr. 24, 2012**

(54) **WHEEL OR WHEEL COVER**

(75) Inventors: **Cengiz Dilber**, Affalterbach (DE);
Marian Hrabcak, Affalterbach (DE)

(73) Assignee: **Daimler AG**, Stuttgart (DE)

(**) Term: **14 Years**

(21) Appl. No.: **29/371,521**

(22) Filed: **Mar. 31, 2011**

(30) **Foreign Application Priority Data**

Oct. 1, 2010 (EM) 001762253-0001

(51) **LOC (9) Cl.** **12-16**

(52) **U.S. Cl.** **D12/211**

(58) **Field of Classification Search** D12/204-213;
301/37.101, 64.101, 65, 64.201

See application file for complete search history.

(56) **References Cited**

U.S. PATENT DOCUMENTS

D542,726 S *	5/2007	Hieke	D12/209
D549,634 S *	8/2007	Foose	D12/211
D553,550 S *	10/2007	Tirado	D12/211
D569,776 S *	5/2008	Hieke	D12/211
D570,760 S *	6/2008	Hieke	D12/211

D578,949 S *	10/2008	Hieke	D12/211
D582,328 S *	12/2008	Hieke	D12/209
D582,330 S *	12/2008	Hieke	D12/209
D583,292 S *	12/2008	Chung	D12/211
D586,284 S *	2/2009	Fridie	D12/211
D593,478 S *	6/2009	Tirado	D12/211
D619,073 S *	7/2010	Groom	D12/211
D621,772 S *	8/2010	Tirado	D12/211
D628,137 S *	11/2010	Groom	D12/211
D649,106 S *	11/2011	Hrabcak et al.	D12/211

* cited by examiner

Primary Examiner — Stacia Cadmus

(74) *Attorney, Agent, or Firm* — Crowell & Moring LLP

(57) **CLAIM**

The ornamental design for a wheel or wheel cover, as shown and described.

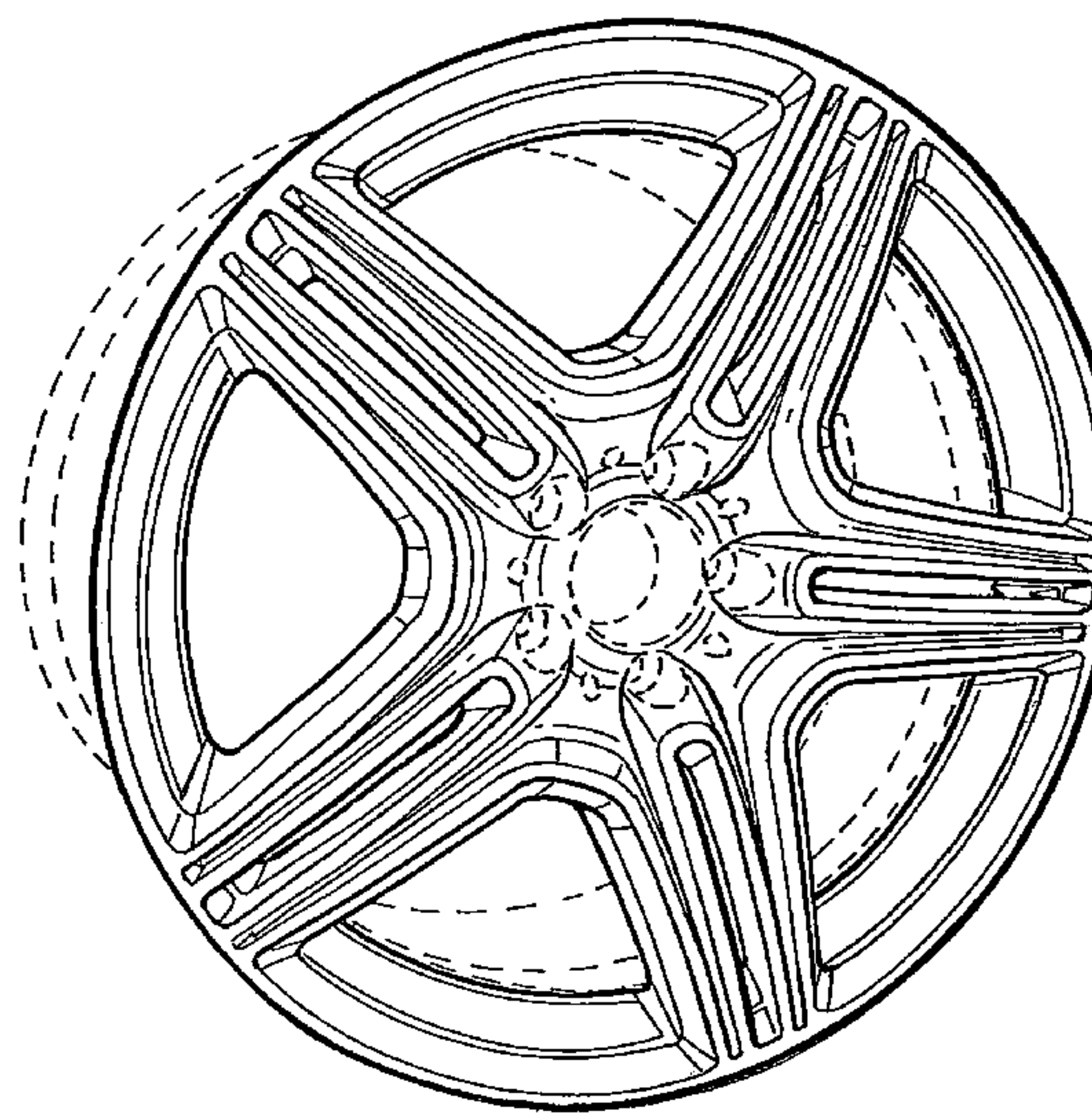
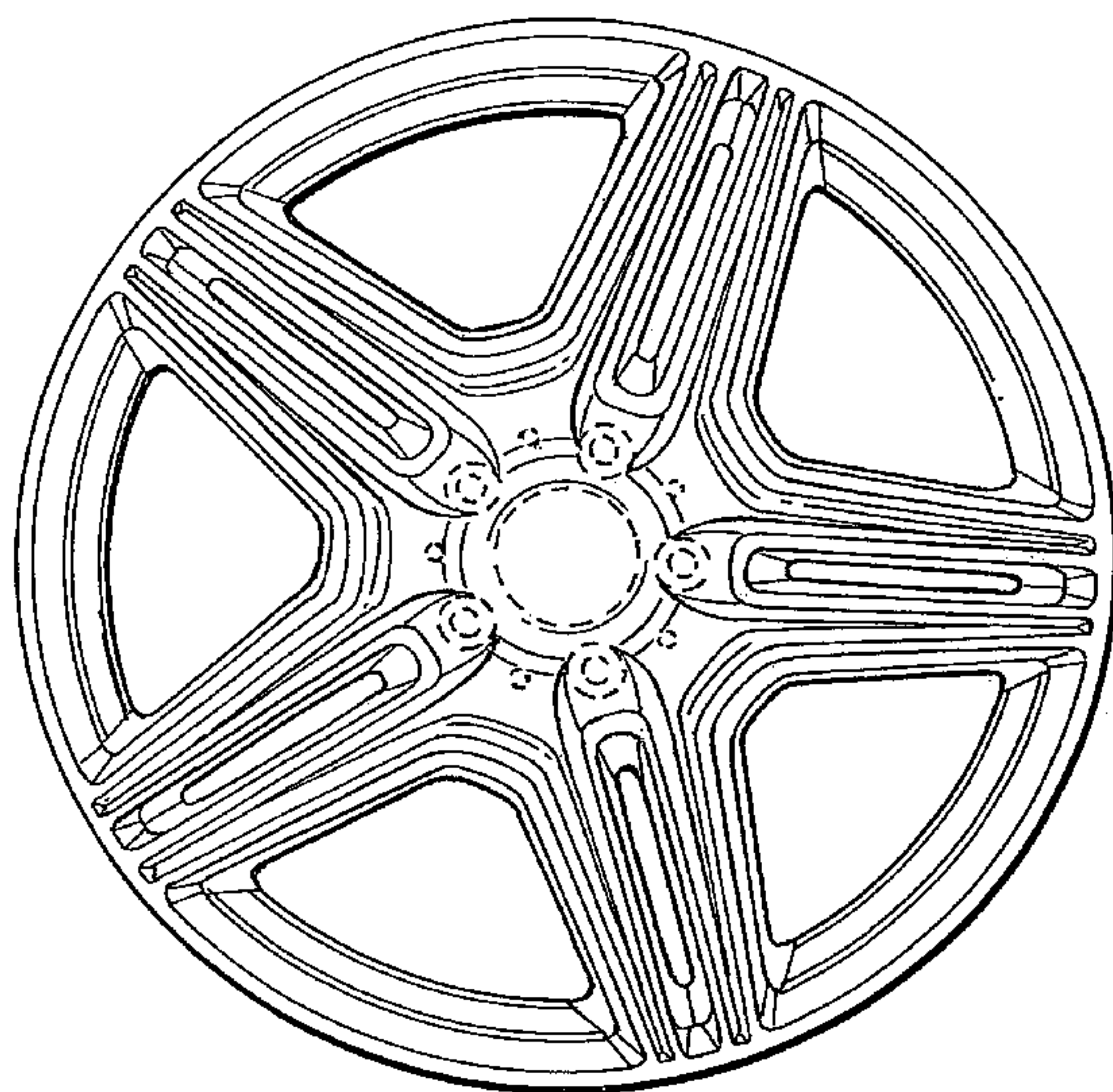
DESCRIPTION

FIG. 1 is a front view of a wheel or wheel cover according to our design; and,

FIG. 2 is a perspective view thereof.

The broken line showing of the rear of the wheel and the bolt holes and center opening in the central hub area is included for the purpose of illustrating environment and forms no part of the claimed design.

1 Claim, 1 Drawing Sheet



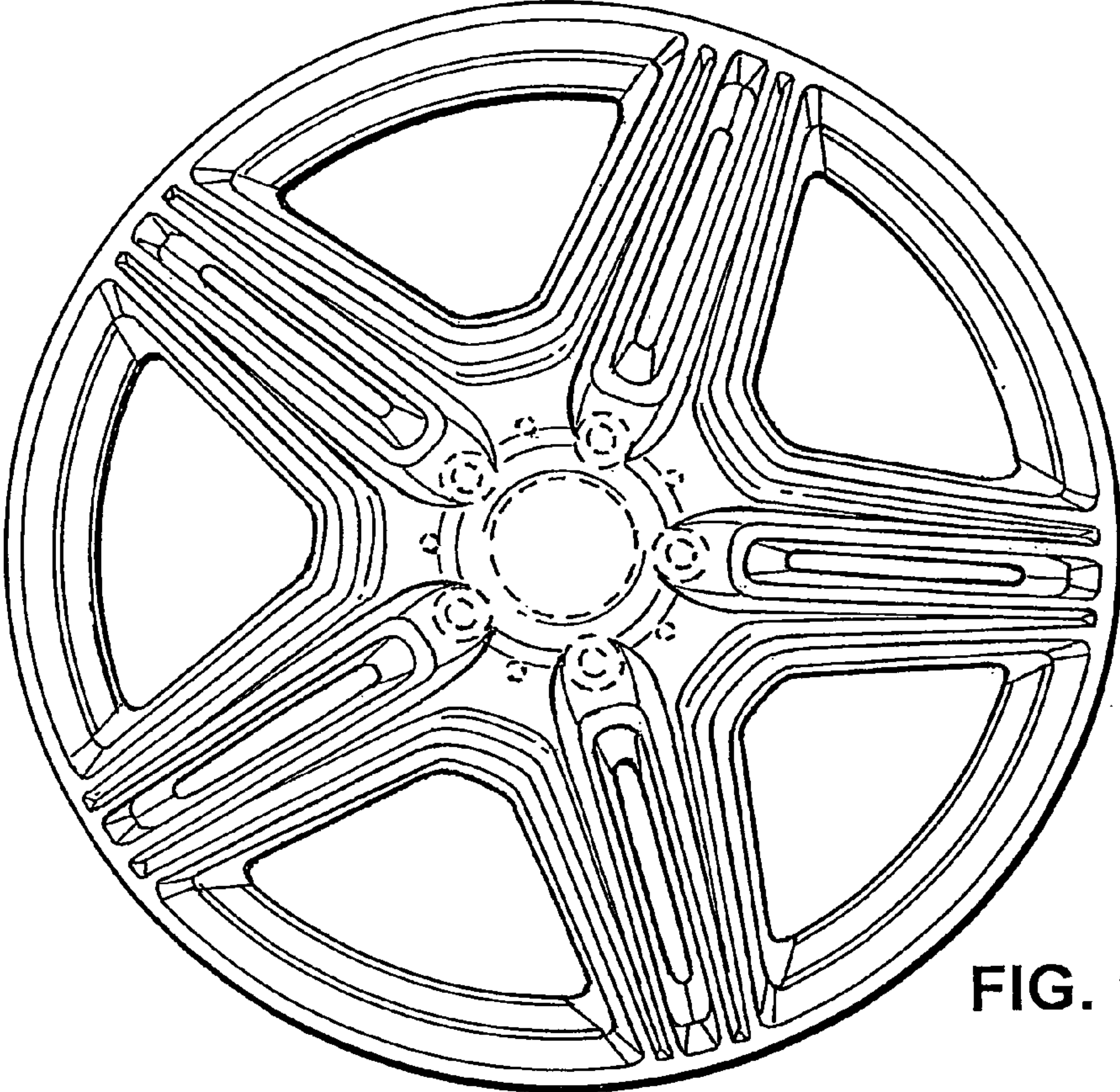


FIG. 1

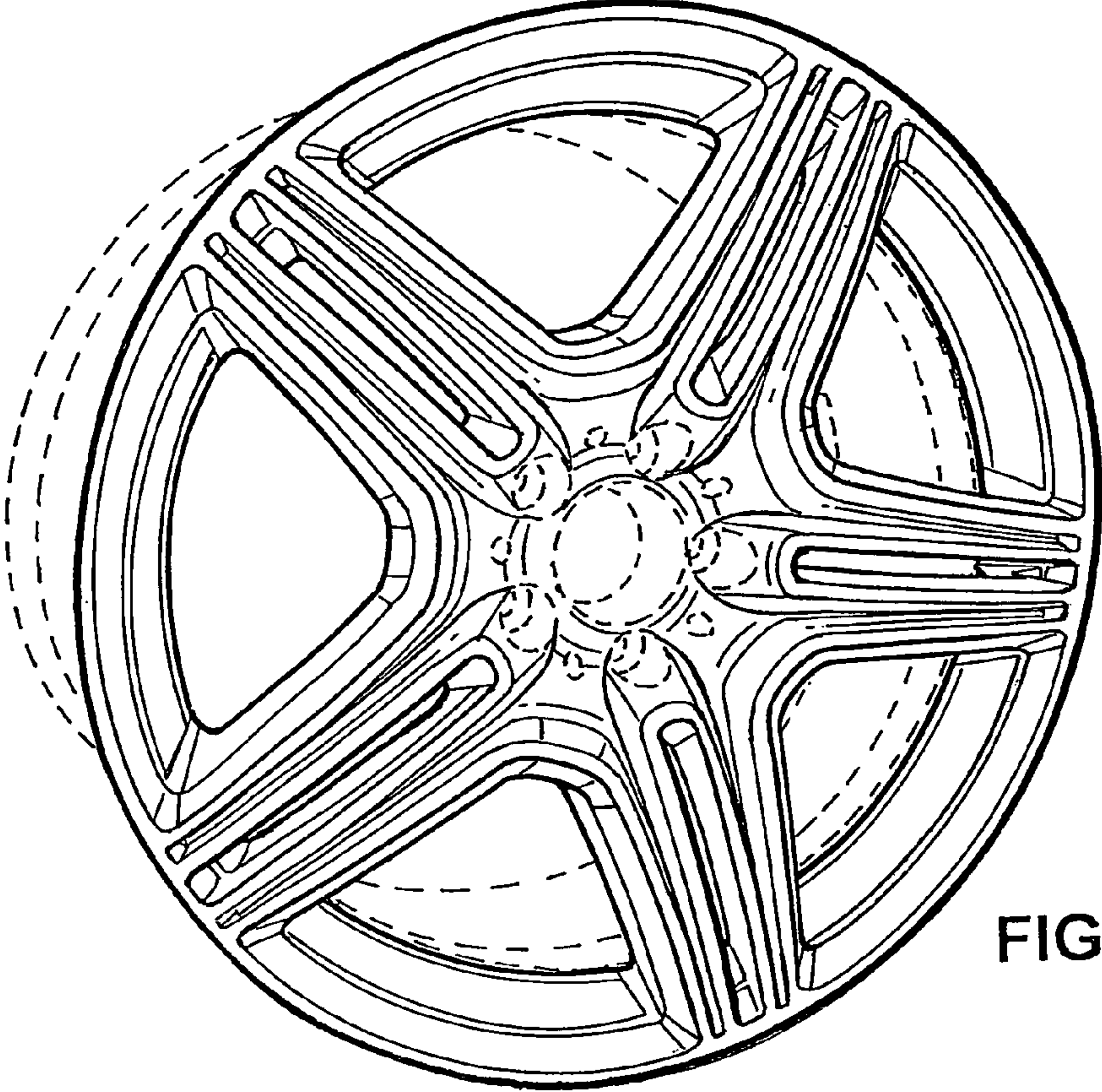


FIG. 2