



US00D658100S

(12) **United States Design Patent**
Kubo et al.

(10) **Patent No.:** **US D658,100 S**
(45) **Date of Patent:** **** Apr. 24, 2012**

(54) **BODY PANEL FOR AN AUTOMOBILE**

(75) Inventors: **Kosuke Kubo**, Toyota (JP); **Mineo Imaiida**, Kariya (JP)

(73) Assignee: **Toyota Jidosha Kabushiki Kaisha**, Toyota-shi (JP)

(**) Term: **14 Years**

(21) Appl. No.: **29/382,694**

(22) Filed: **Jan. 6, 2011**

(51) **LOC (9) Cl.** **12-16**

(52) **U.S. Cl.** **D12/196; D12/184**

(58) **Field of Classification Search** D12/184,
D12/196, 90-92; 280/152.1, 847-849, 851;
296/181.1, 181.5

See application file for complete search history.

(56) **References Cited**

U.S. PATENT DOCUMENTS

D507,514 S *	7/2005	Nagura et al.	D12/196
D600,614 S *	9/2009	Lamm	D12/184
D604,681 S *	11/2009	Nakamura	D12/184

* cited by examiner

Primary Examiner — Melody N Brown

(74) *Attorney, Agent, or Firm* — Finnegan, Henderson, Farabow, Garrett & Dunner, LLP

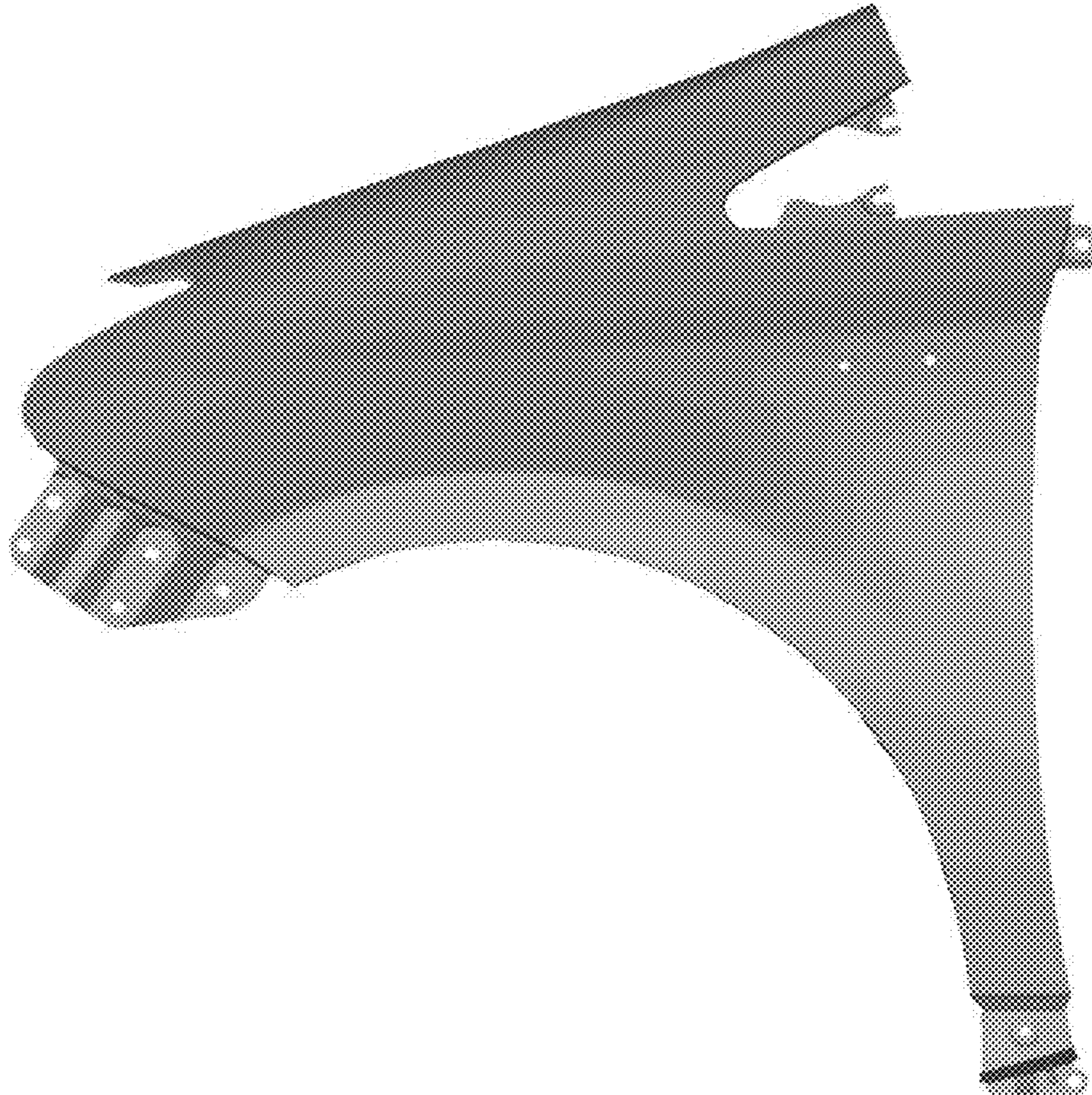
(57) **CLAIM**

The ornamental design for a body panel for an automobile, as shown and described.

DESCRIPTION

FIG. 1 is a front perspective view of a body panel for an automobile of our new design;
FIG. 2 is a rear perspective view thereof;
FIG. 3 is a front view thereof;
FIG. 4 is a rear view thereof;
FIG. 5 is a left side view thereof;
FIG. 6 is a right side view thereof;
FIG. 7 is a top plan view thereof; and,
FIG. 8 is a bottom view thereof.
Our design includes a mirror image of the embodiment depicted.

1 Claim, 6 Drawing Sheets



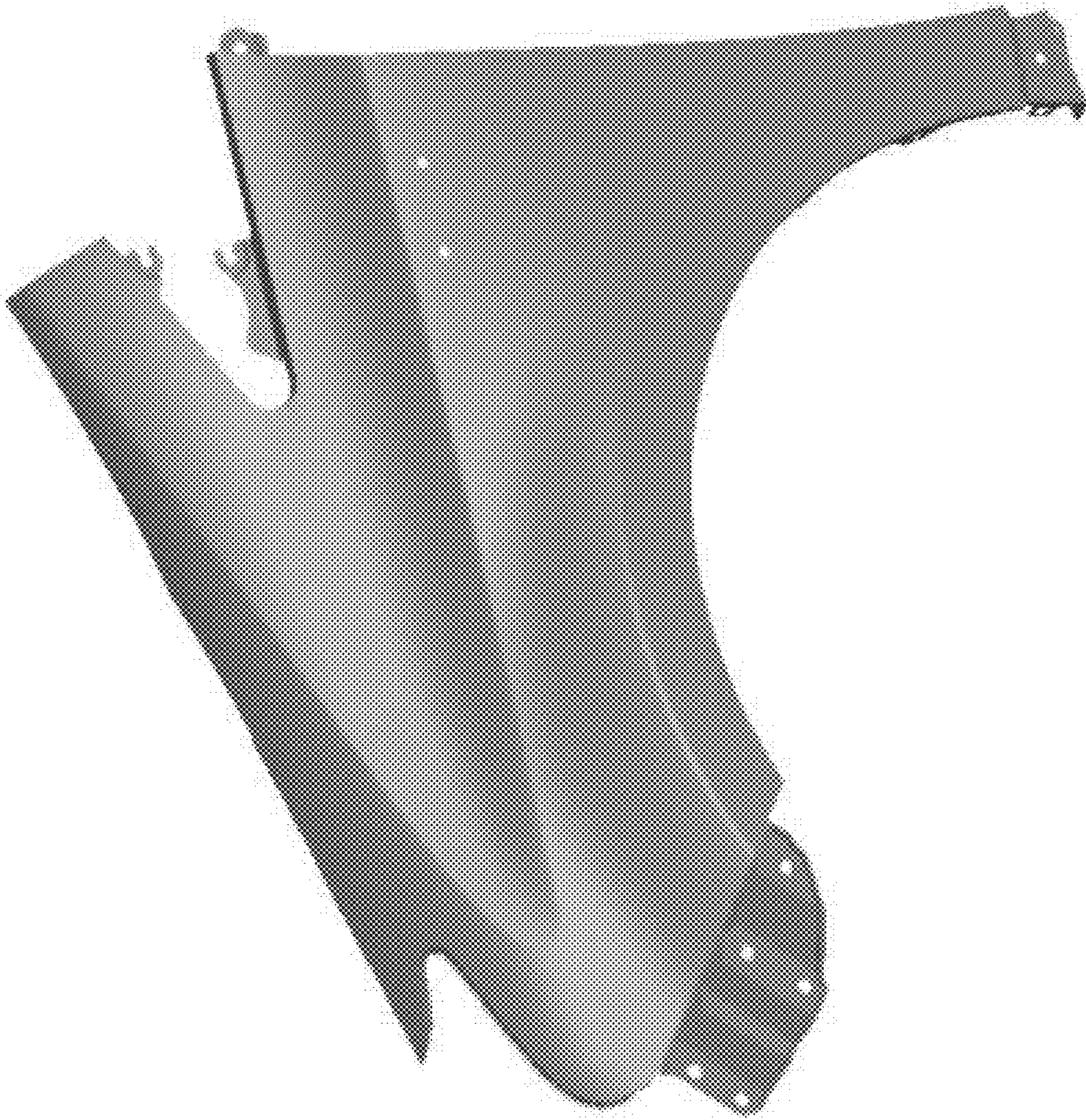


FIG. 1

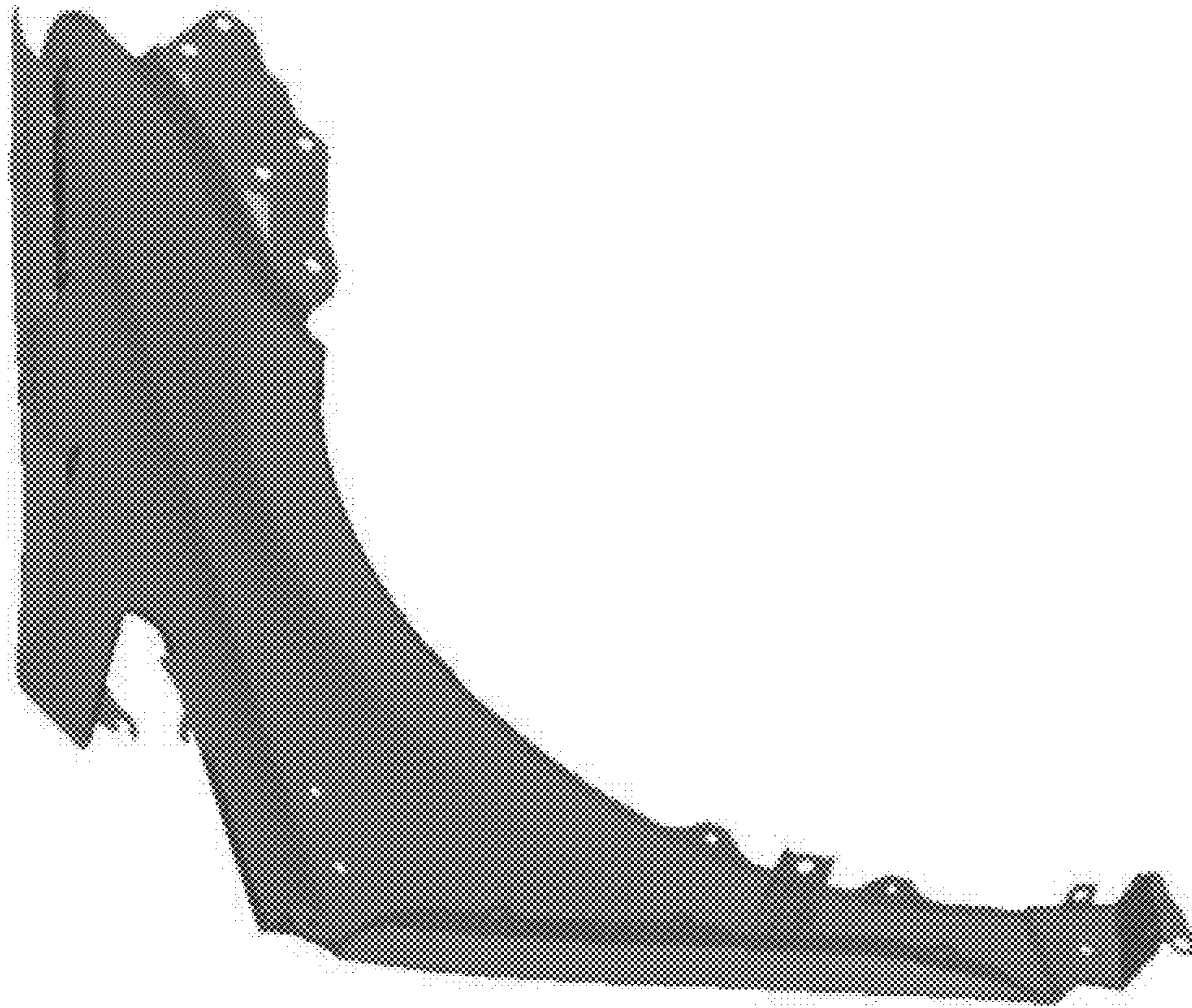


FIG. 2

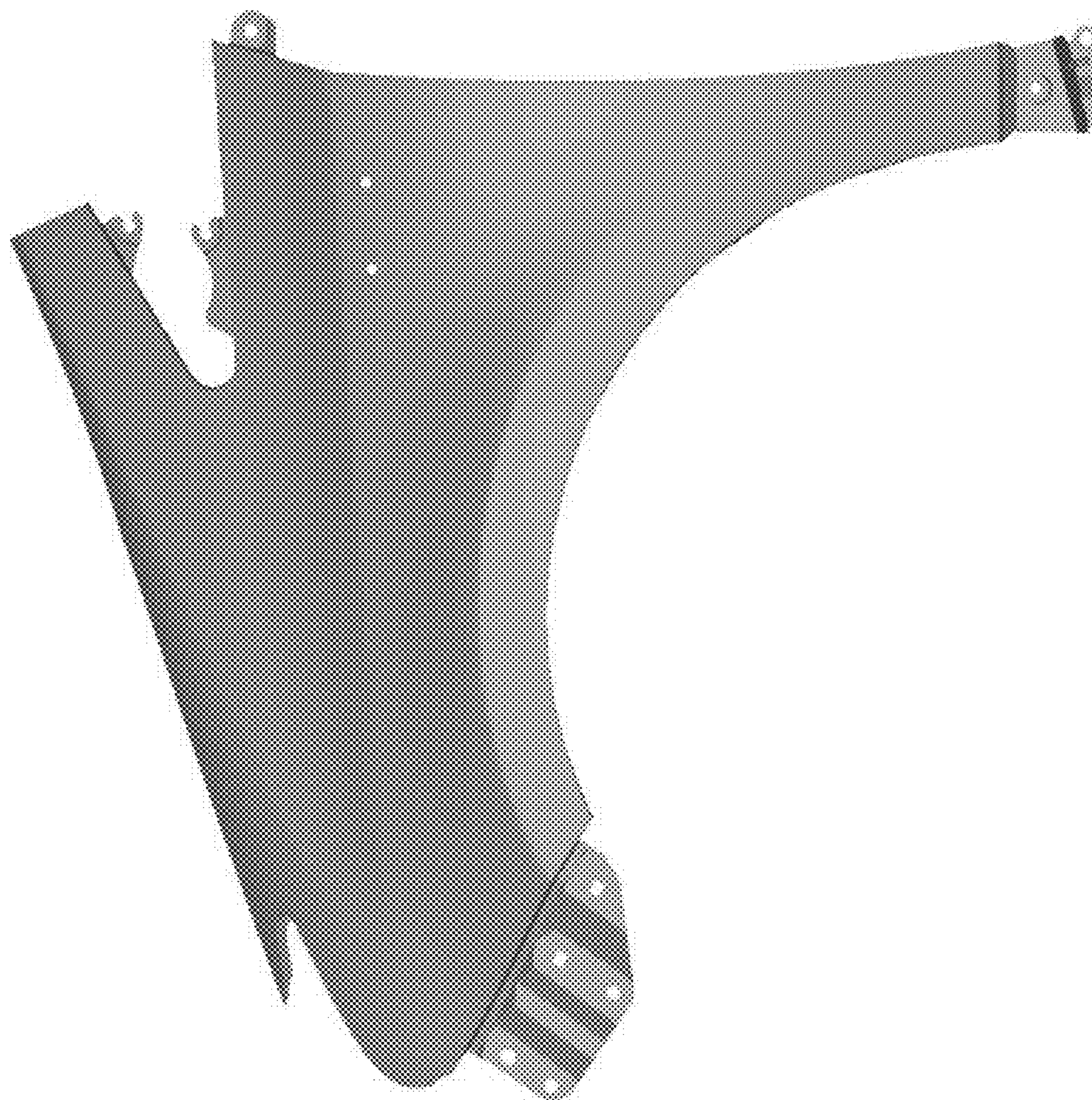


FIG. 3

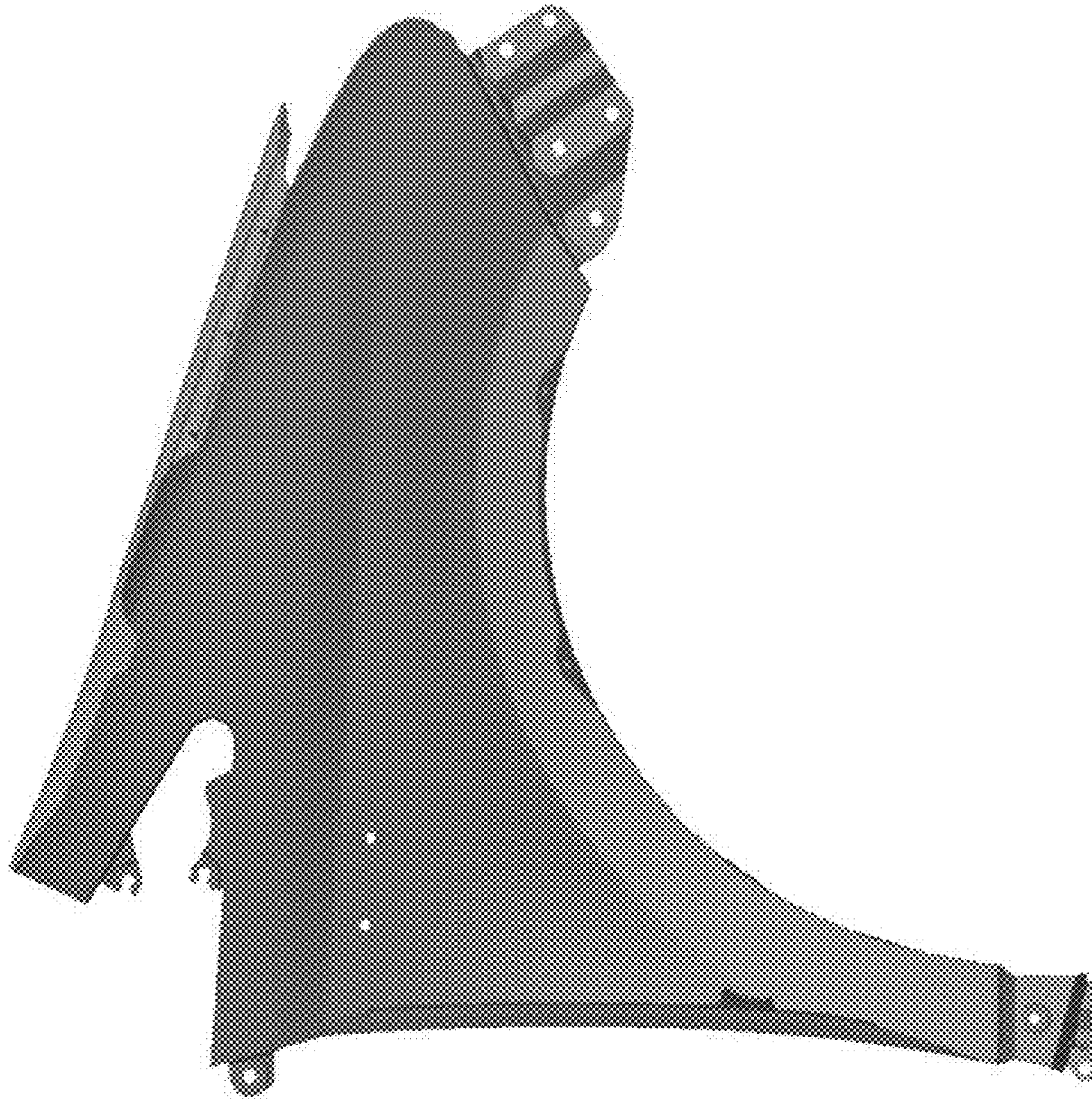


FIG. 4

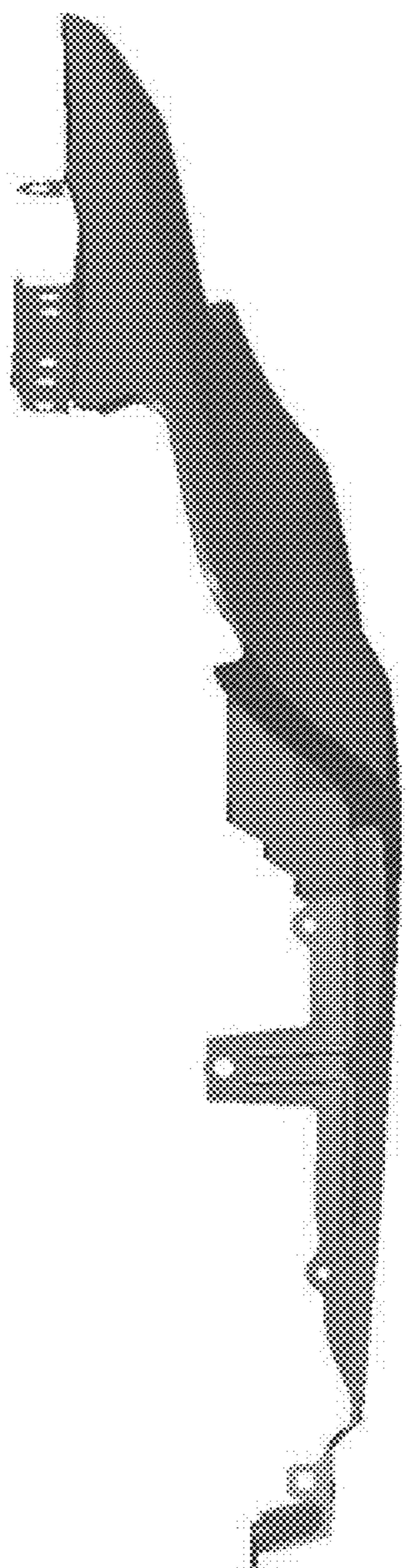


FIG. 5

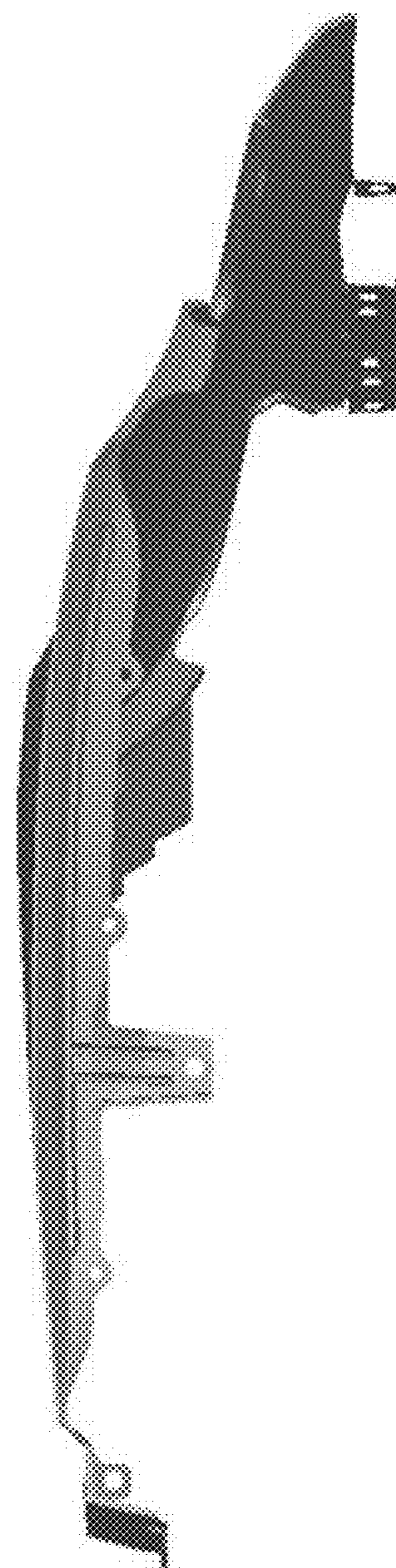


FIG. 6

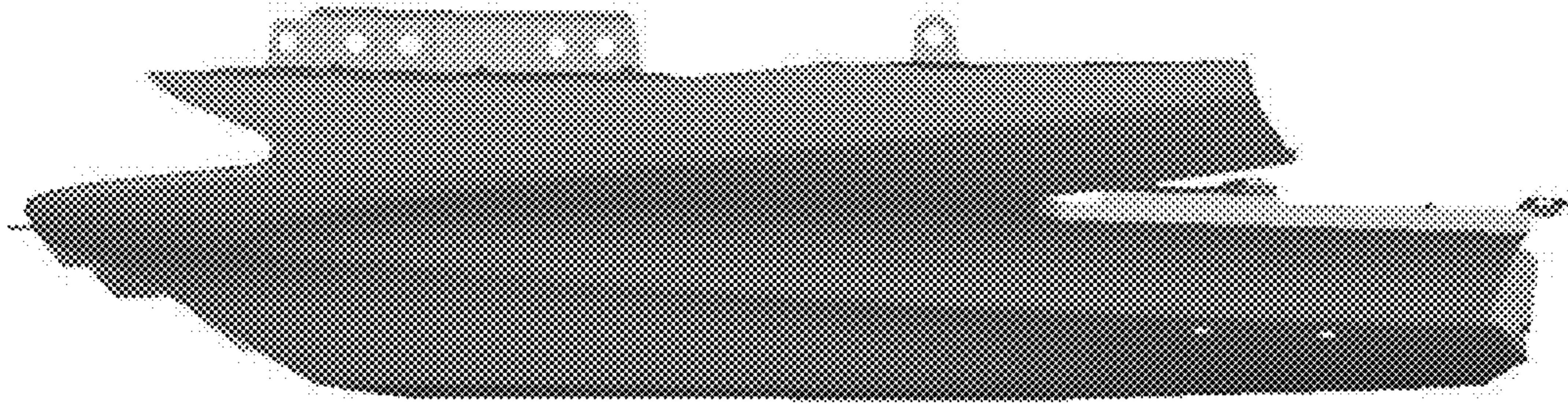


FIG. 7

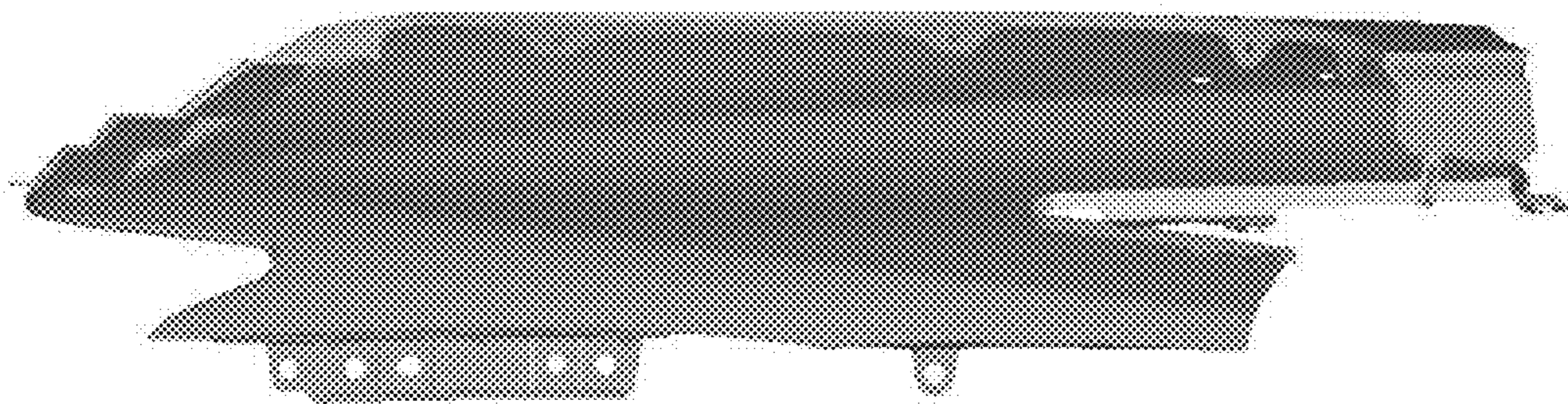


FIG. 8