



US00D658096S

(12) **United States Design Patent**  
**D’Aluisio**

(10) **Patent No.:** **US D658,096 S**

(45) **Date of Patent:** **\*\* Apr. 24, 2012**

(54) **BICYCLE SEATPOST**

(75) Inventor: **Christopher P. D’Aluisio**, Corralitos, CA (US)

(73) Assignee: **Specialized Bicycle Components, Inc.**, Morgan Hill, CA (US)

(\*\*) Term: **14 Years**

(21) Appl. No.: **29/390,430**

(22) Filed: **Apr. 25, 2011**

(51) **LOC (9) Cl.** ..... **12-11**

(52) **U.S. Cl.** ..... **D12/119**

(58) **Field of Classification Search** ..... D12/119, D12/111; 297/195.1, 215.13–215.15, 208, 297/209; 280/273–276, 288.4, 281.1, 226.1, 280/283, 220; 248/599, 621, 622, 629  
See application file for complete search history.

(56) **References Cited**

**U.S. PATENT DOCUMENTS**

275,910	A	4/1883	Hill	
375,707	A	12/1887	Hudson	
413,639	A	10/1889	Eddy	
620,012	A	2/1899	Bailey	
1,015,712	A	1/1912	Robinson	
1,498,282	A	6/1924	Kauffmann	
2,828,801	A	4/1958	Papst	
D298,814	S *	12/1988	Borromeo	D12/119
D413,840	S *	9/1999	Mele	D12/119

5,957,527 A \* 9/1999 Brauchart ..... 297/215.13  
D502,674 S \* 3/2005 Drew et al. .... D12/119

\* cited by examiner

*Primary Examiner* — Susan M Lee

*Assistant Examiner* — Linda G. Brooks

(74) *Attorney, Agent, or Firm* — Michael Best & Friedrich LLP

(57) **CLAIM**

I claim the ornamental design for a bicycle seatpost, as shown and described.

**DESCRIPTION**

FIG. 1 is a perspective view of a bicycle seatpost embodying the present invention.

FIG. 2 is a left side view of the design shown in FIG. 1.

FIG. 3 is a right side view of the design shown in FIG. 1.

FIG. 4 is a front view of the design shown in FIG. 1; and,

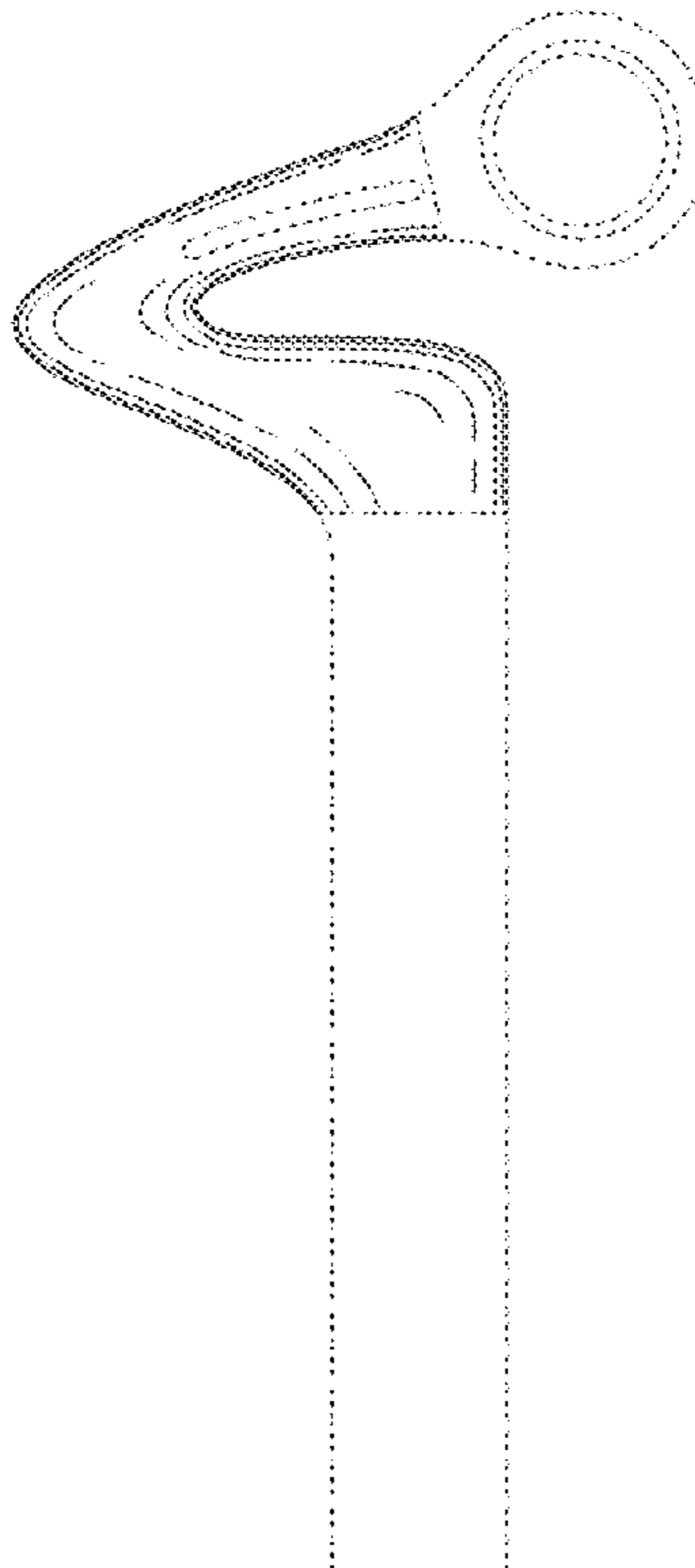
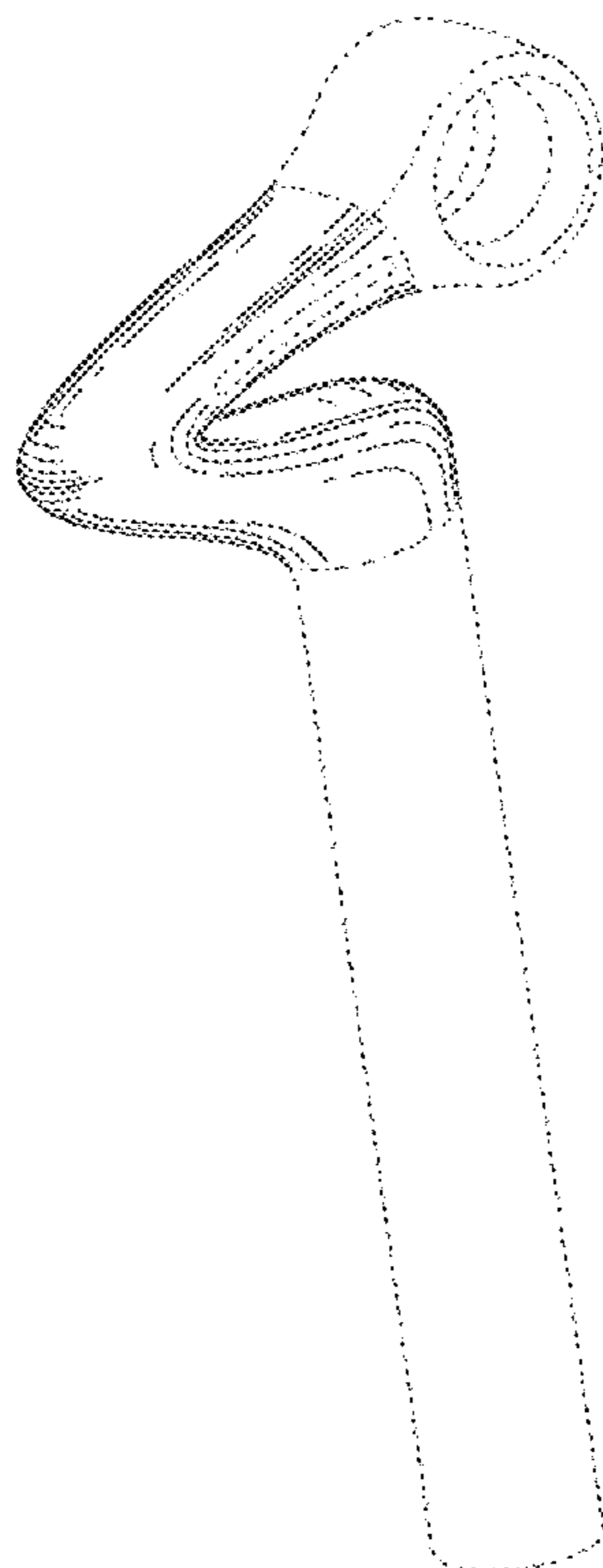
FIG. 5 is a rear view of the design shown in FIG. 1.

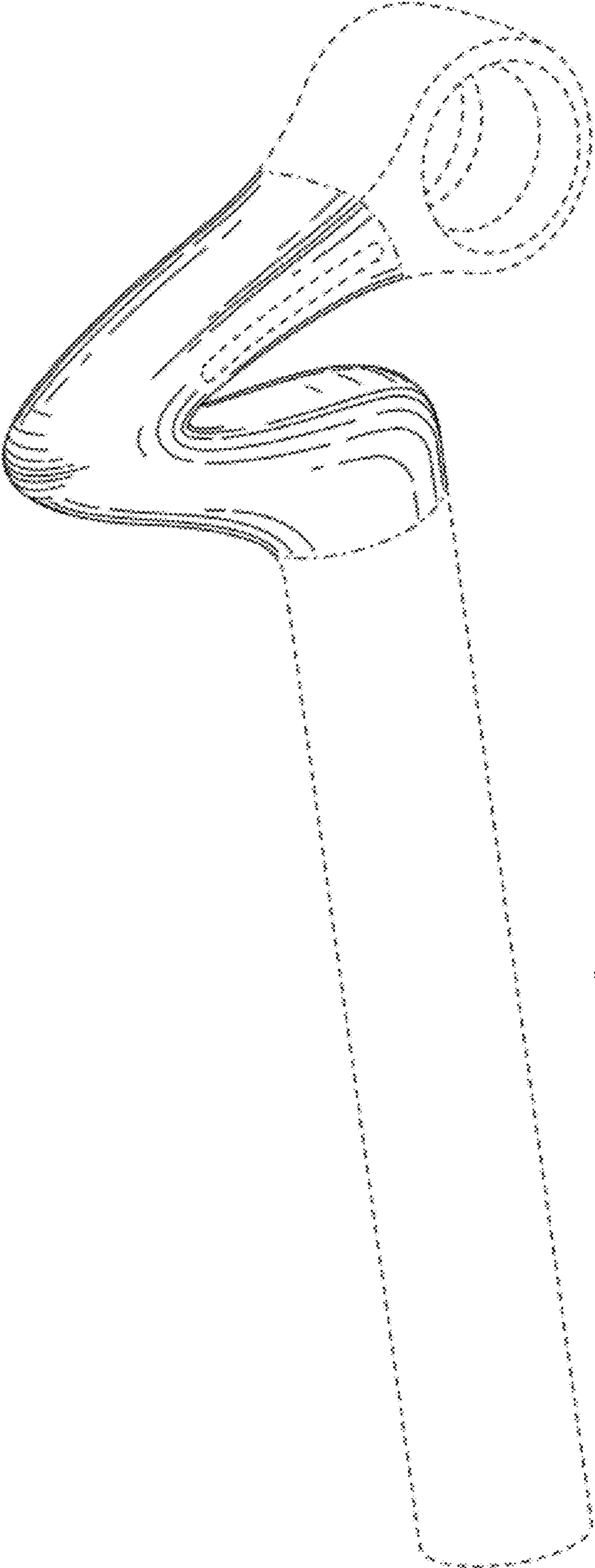
The portions of the seatpost shown in broken lines in FIGS. 1-5 form no part of the claimed design.

In the normal and intended use of the seat post, the top view is substantially obstructed by a bicycle seat mounted on the seatpost, and thus the top view is not a matter of ornamental concern.

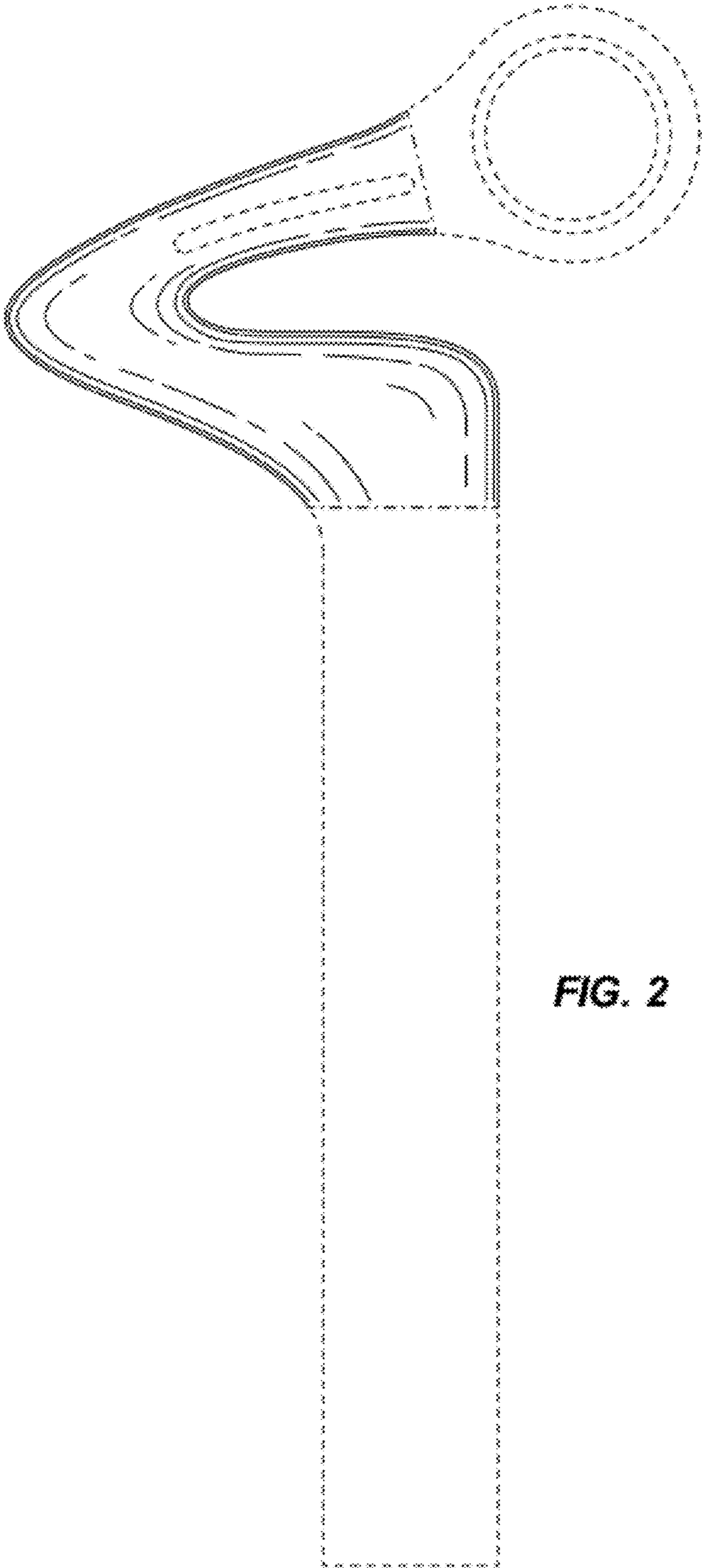
In the normal and intended use of the seat post, the bottom view is substantially obstructed by a bicycle frame to which the seatpost is mounted, and thus the bottom view is not a matter of ornamental concern.

**1 Claim, 4 Drawing Sheets**

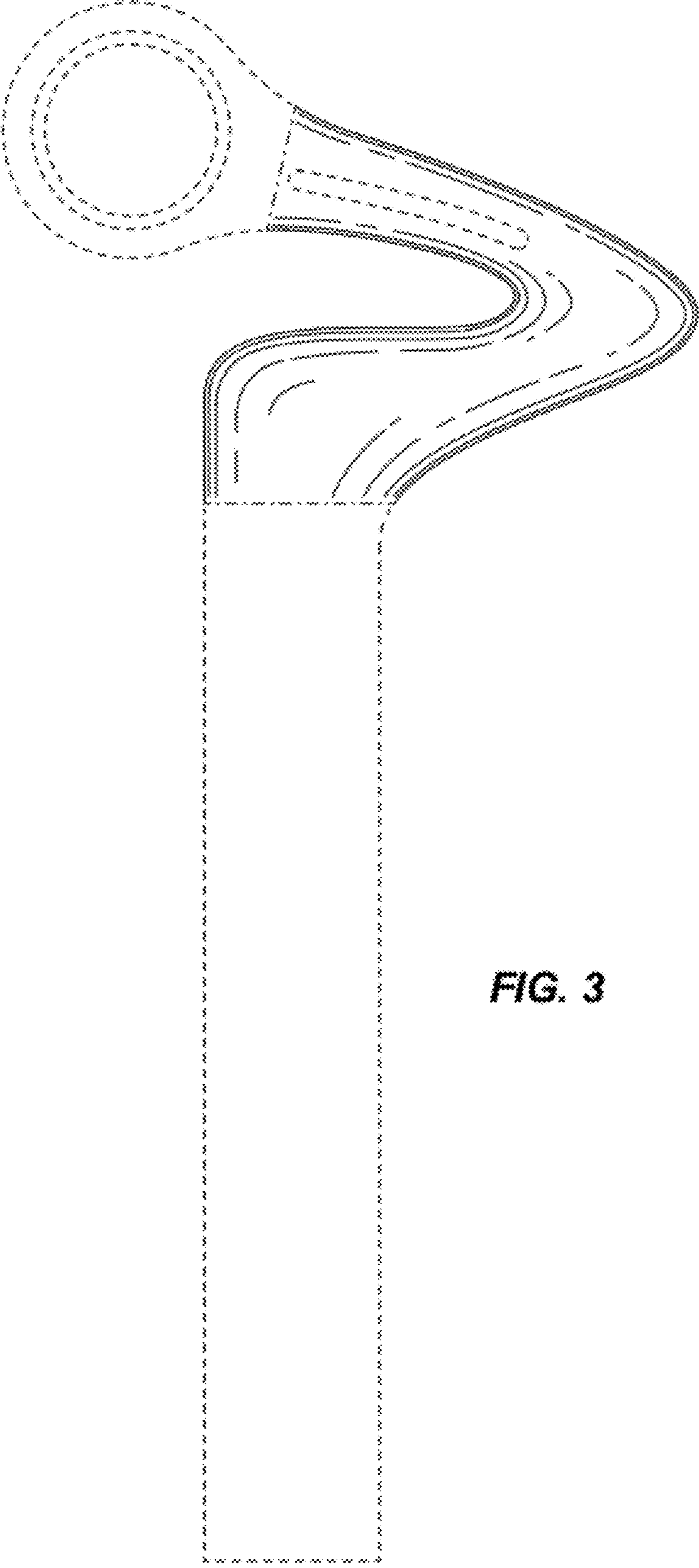




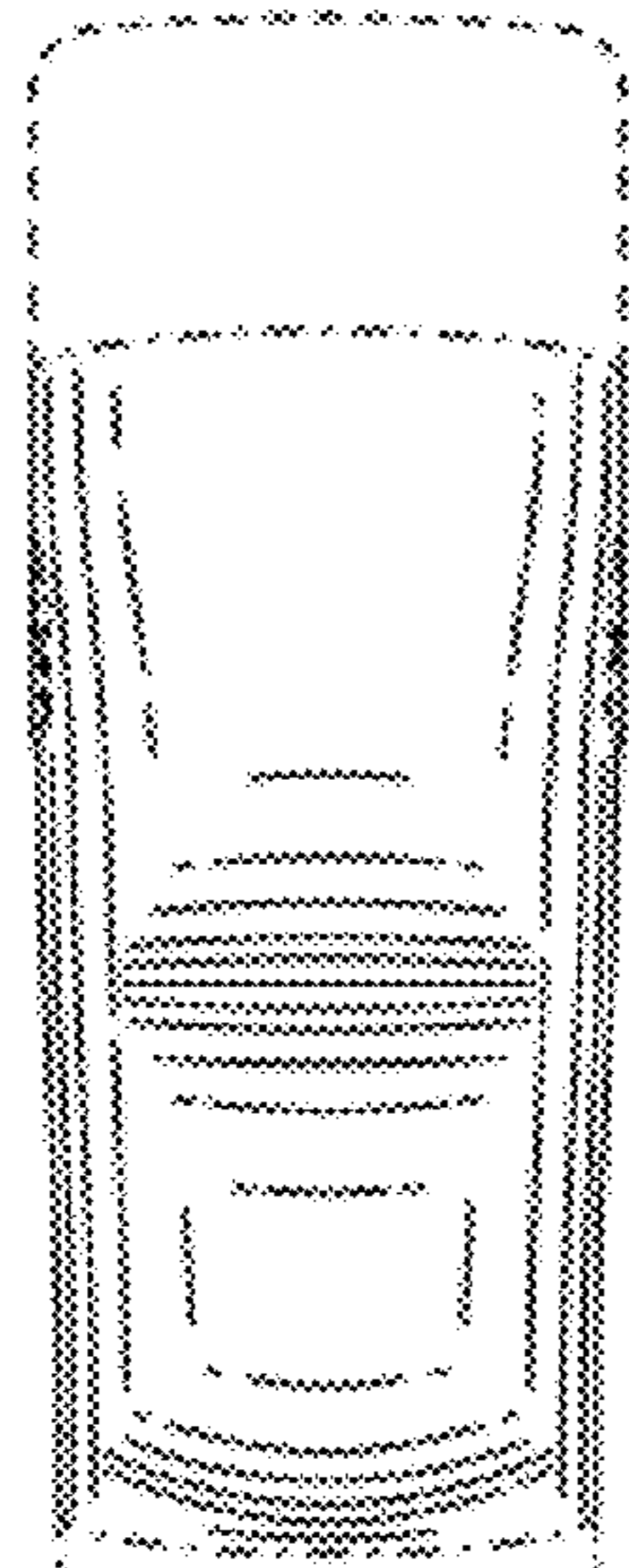
**FIG. 1**



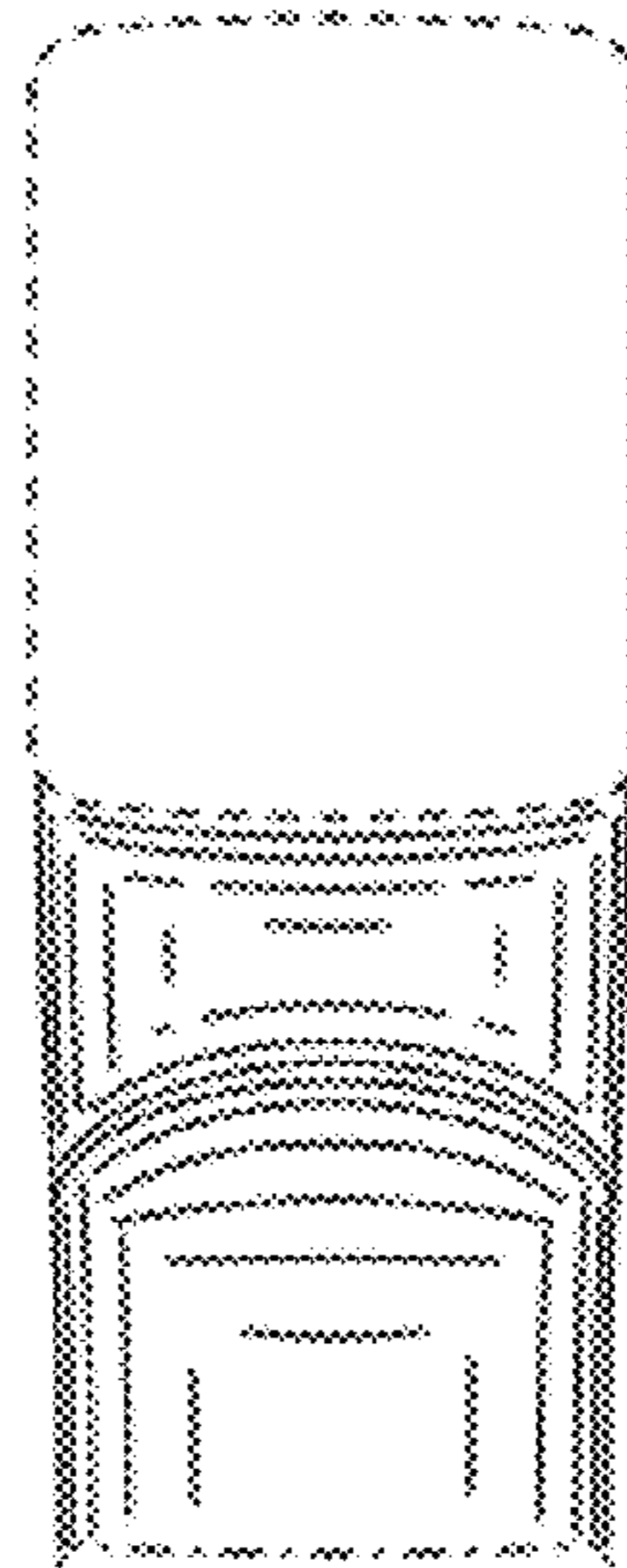
**FIG. 2**



**FIG. 3**



**FIG. 4**



**FIG. 5**