



US00D658095S

(12) **United States Design Patent**
Simon et al.

(10) **Patent No.:** **US D658,095 S**

(45) **Date of Patent:** **** Apr. 24, 2012**

(54) **TRIKE SWING ARM CONVERTOR**

(76) Inventors: **Paul J Simon**, Tampa, FL (US);
Timothy H Wyatt, New Port Richey, FL (US); **Matthew C Ruthig**, New Port Richey, FL (US)

(**) Term: **14 Years**

(21) Appl. No.: **29/385,039**

(22) Filed: **Feb. 8, 2011**

(51) **LOC (9) Cl.** **12-11**

(52) **U.S. Cl.** **D12/117**

(58) **Field of Classification Search** D12/117,
D12/110, 112, 159, 160; 180/209-212, 214-217,
180/219, 227, 228, 231, 311, 312, 53.3; 280/7.15,
280/282, 284, 288, 124.128, 416.2

See application file for complete search history.

(56) **References Cited**

U.S. PATENT DOCUMENTS

D386,469	S	*	11/1997	Lehman et al.	D12/110
5,884,717	A	*	3/1999	Lehman et al.	180/209
D427,943	S	*	7/2000	Lehman et al.	D12/110
6,964,314	B1	*	11/2005	Vey	180/209
D521,419	S	*	5/2006	Mezzasalma	D12/117
7,228,930	B1	*	6/2007	Vey	180/210
D547,241	S	*	7/2007	Dornbusch	D12/110

* cited by examiner

Primary Examiner — Susan M Lee

Assistant Examiner — Linda G. Brooks

(74) *Attorney, Agent, or Firm* — Larson & Larson, P.A.;
Frank Liebenow; Justin P. Miller

(57) **CLAIM**

I claim the ornamental design for a trike swing arm convertor, as shown and described.

DESCRIPTION

FIG. 1 is a front elevation view of the trike swing arm convertor showing my new design;
FIG. 2 is a rear elevation view thereof;
FIG. 3 is a right side view thereof;
FIG. 4 is a left side view thereof;
FIG. 5 is a bottom plan view thereof;
FIG. 6 is a top plan view thereof; and
FIG. 7 is a perspective view thereof; and
FIG. 8 is a perspective view thereof.

The broken lines depicting part of an axle in FIG. 8 are for illustrative purposes only and form no part of the claimed design.

1 Claim, 5 Drawing Sheets

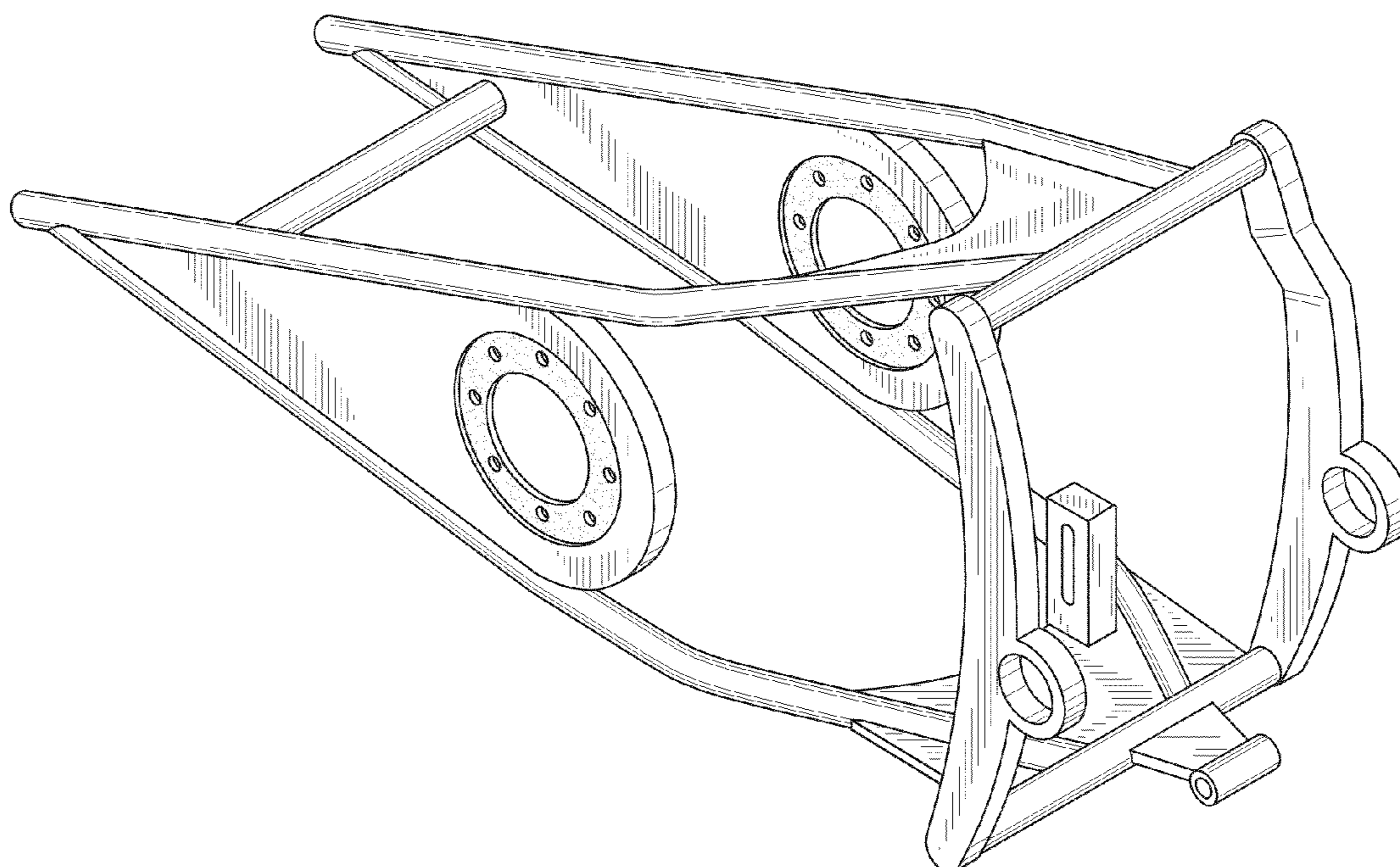


FIG. 1

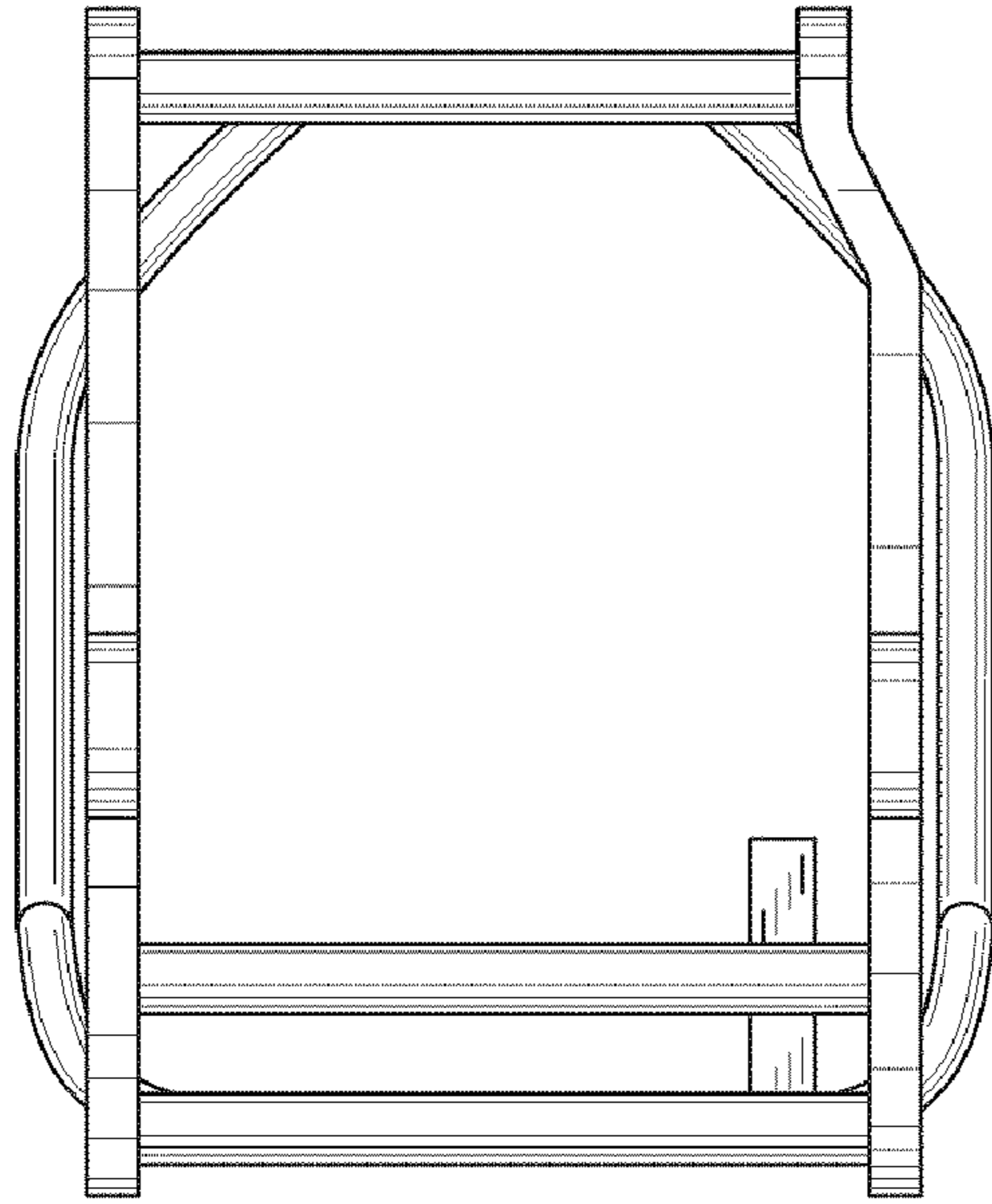


FIG. 2

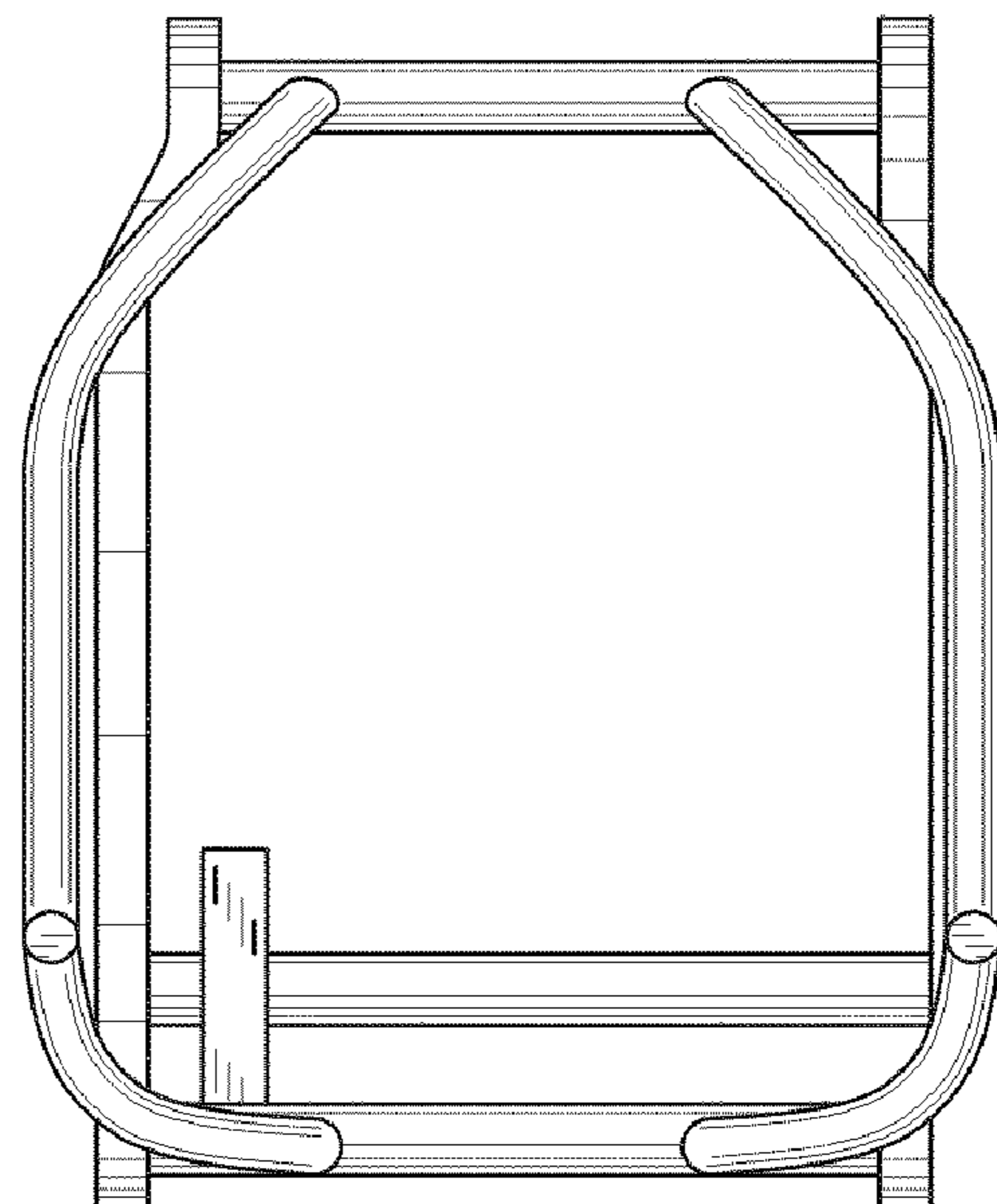


FIG. 3

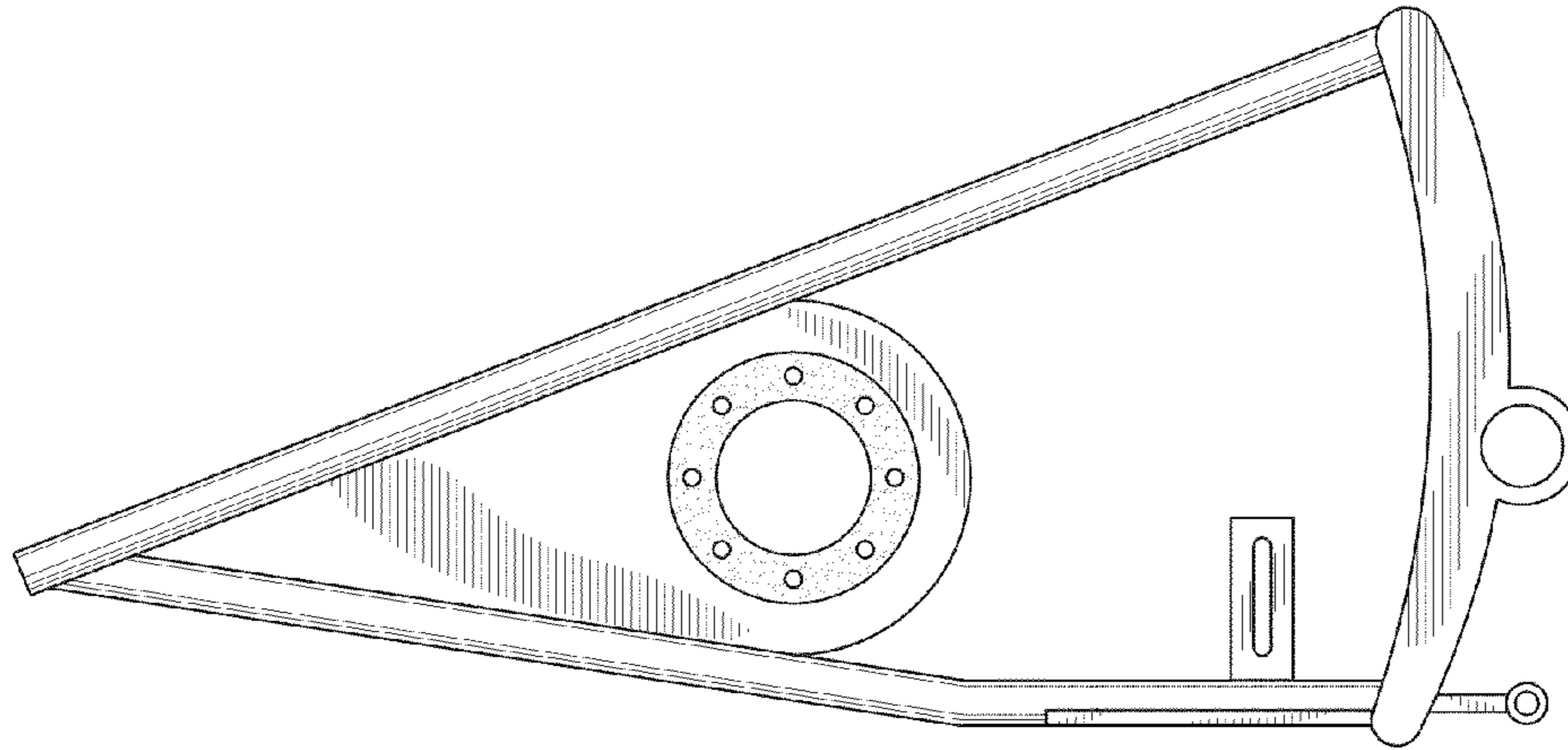


FIG. 4

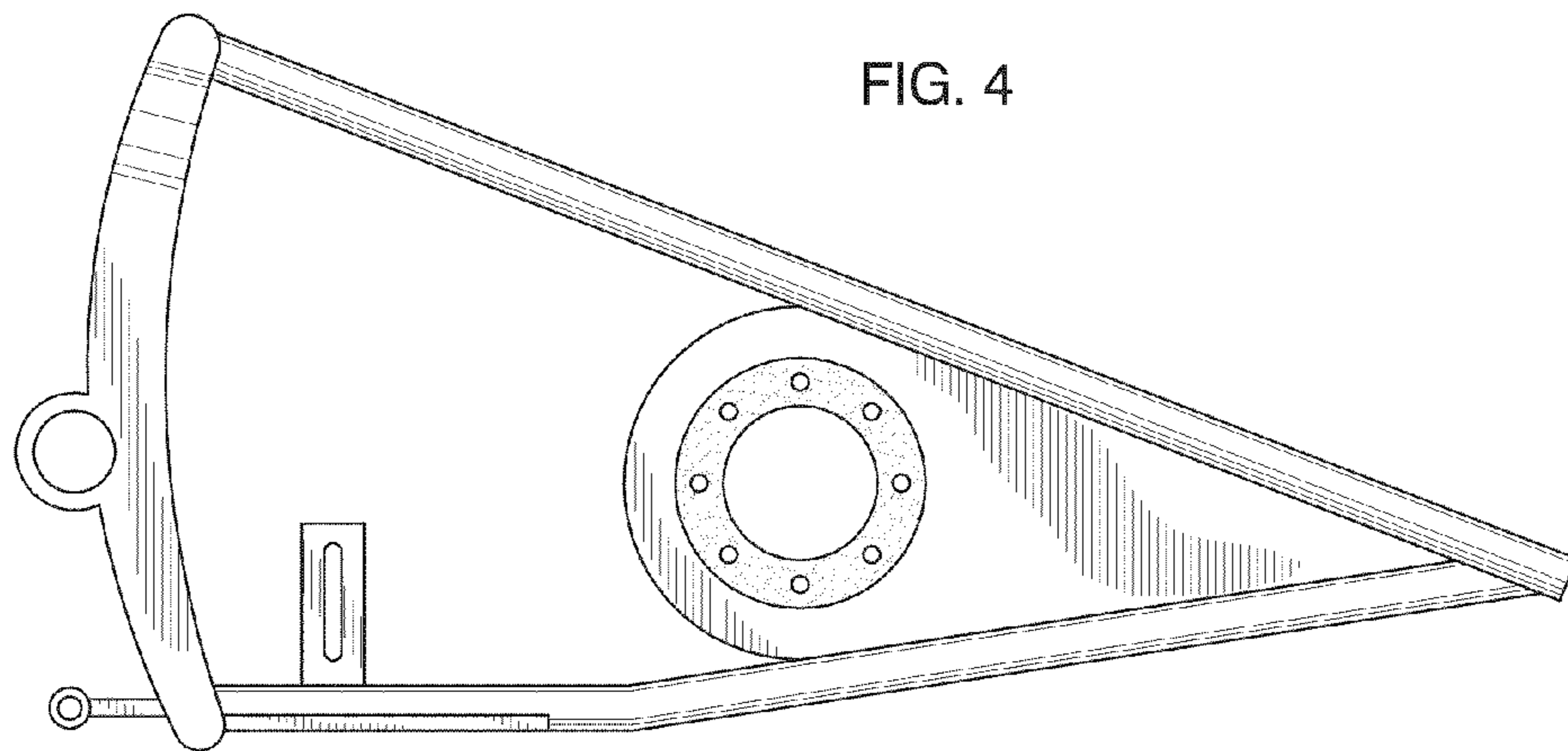


FIG. 5

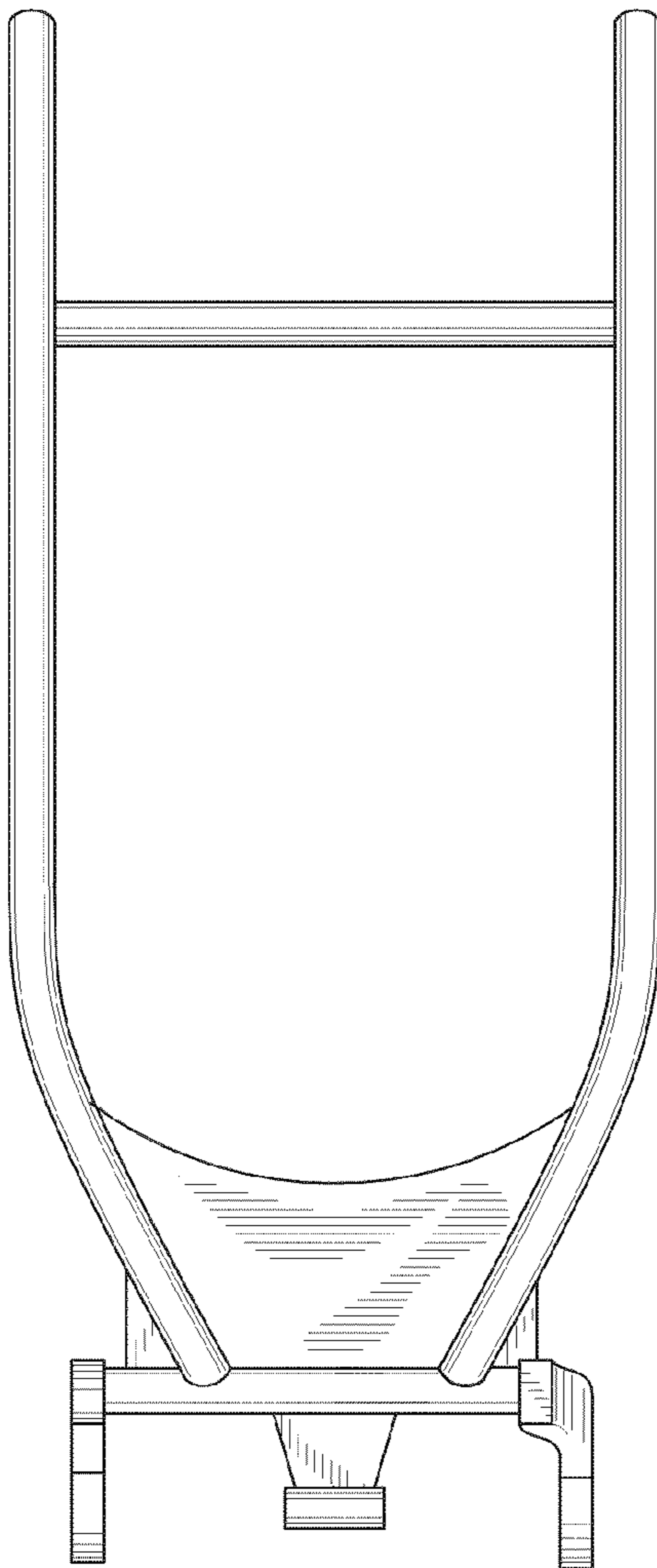


FIG. 6

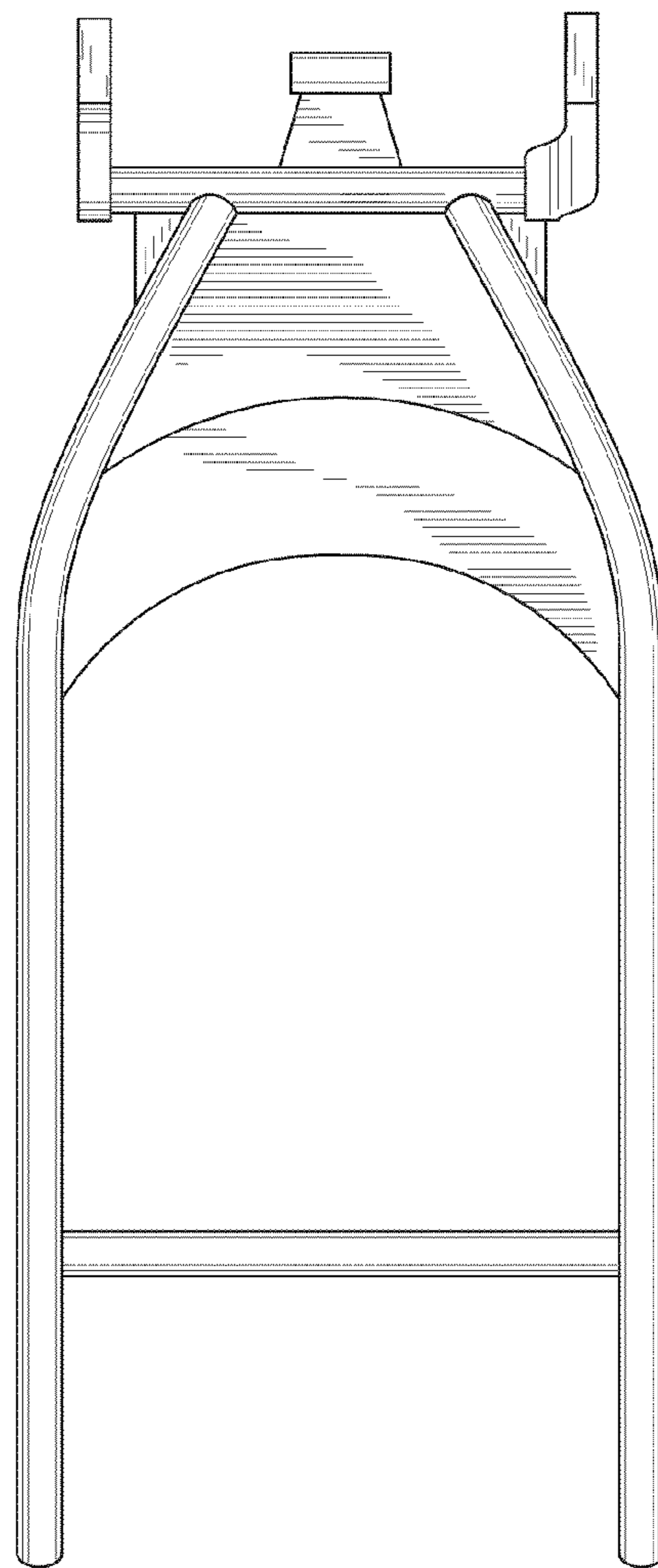
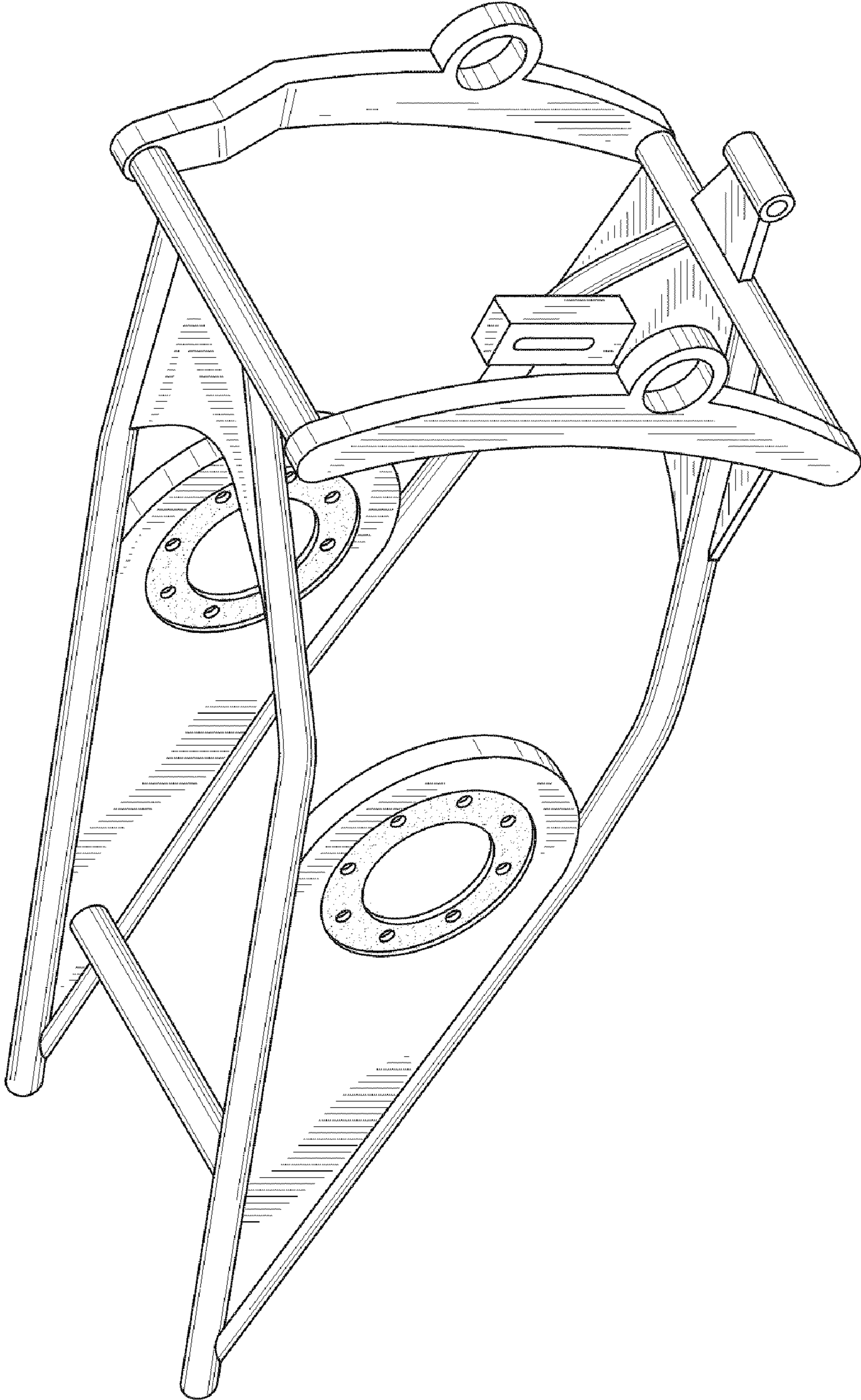


FIG. 7



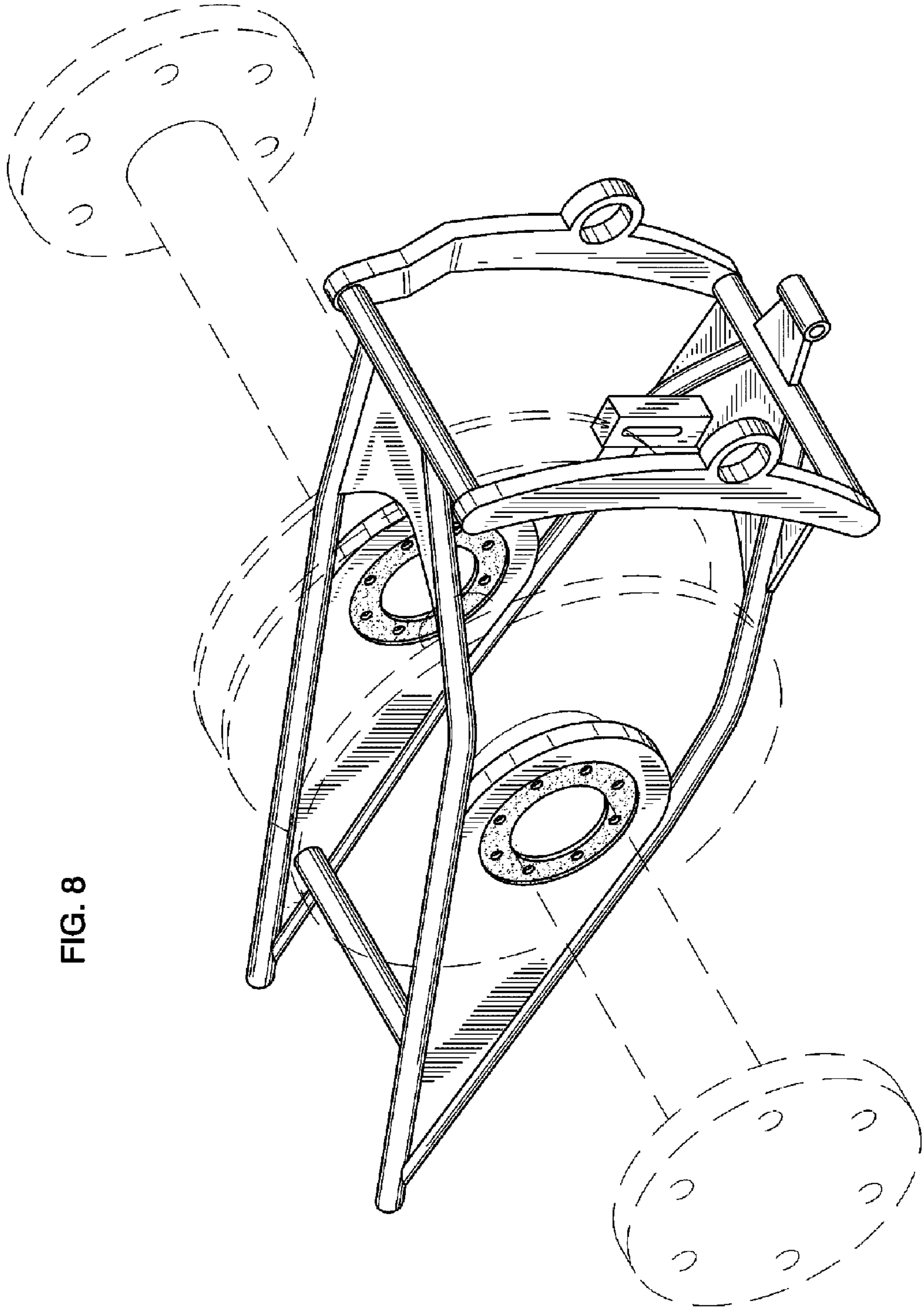


FIG. 8