



US00D658093S

(12) **United States Design Patent**  
**Tam**

(10) **Patent No.:** **US D658,093 S**

(45) **Date of Patent:** **\*\* Apr. 24, 2012**

(54) **TROPHY PEDESTAL**

(75) Inventor: **Yi Choi Tam**, Kowloon (HK)

(73) Assignee: **Trophyland, Ltd.**, San Po Kong,  
Kowloon (HK)

(\*\*) Term: **14 Years**

(21) Appl. No.: **29/367,100**

(22) Filed: **Aug. 3, 2010**

(51) **LOC (9) Cl.** ..... **11-02**

(52) **U.S. Cl.** ..... **D11/164**

(58) **Field of Classification Search** ..... D11/131,  
D11/157, 158-164; 428/542.2, 542.4, 542.6,  
428/913.3, 7, 15, 16, 31; 248/127, 158  
See application file for complete search history.

(56) **References Cited**

**U.S. PATENT DOCUMENTS**

D22,165 S *	1/1893	Librowicz	.....	D11/164
D92,051 S *	4/1934	Davis	.....	D11/164
D150,744 S *	8/1948	Williams	.....	D11/164
4,323,630 A *	4/1982	Mackey et al.	.....	428/542.4
5,322,739 A *	6/1994	Stagl	.....	428/542.4
D356,282 S *	3/1995	Tam	.....	D11/164
D398,260 S *	9/1998	Tam	.....	D11/164
D527,682 S *	9/2006	Tam	.....	D11/164

\* cited by examiner

*Primary Examiner* — Holly H. Baynham

*Assistant Examiner* — Michelle E Wilson

(74) *Attorney, Agent, or Firm* — Calfee, Halter & Griswold  
LLP

(57) **CLAIM**

I claim the ornamental designs for trophy pedestals, as shown  
and described.

**DESCRIPTION**

FIG. 1 is a front/right/top perspective view of a trophy ped-  
estal, for which a rear/left/top perspective view would be  
identical;

FIG. 2 is a front/right/bottom perspective view thereof, for  
which a rear/left/bottom perspective view would be a mirror  
image thereof;

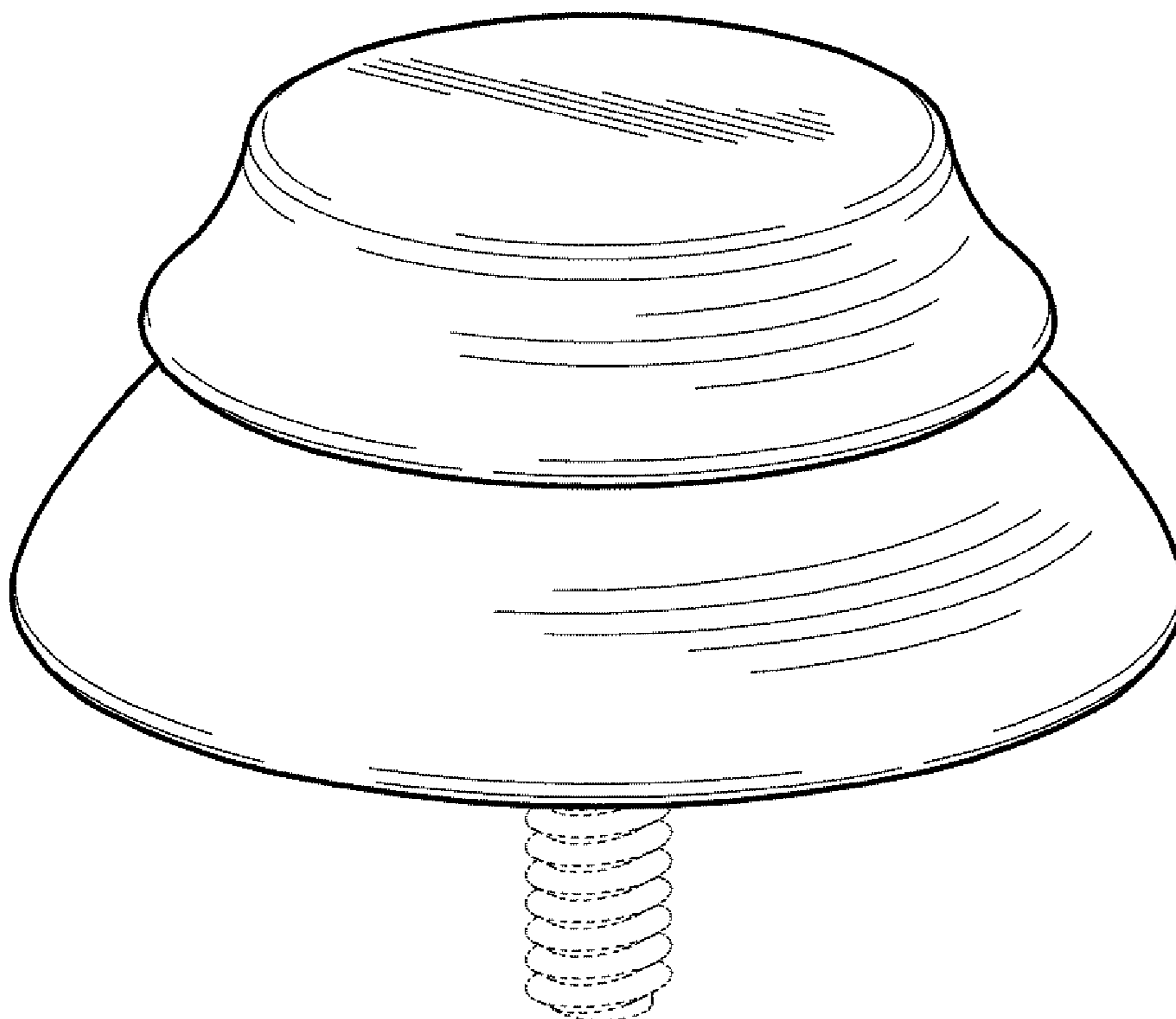
FIG. 3 is a left side elevational view thereof, for which right  
side, front, and rear elevational views would be identical;

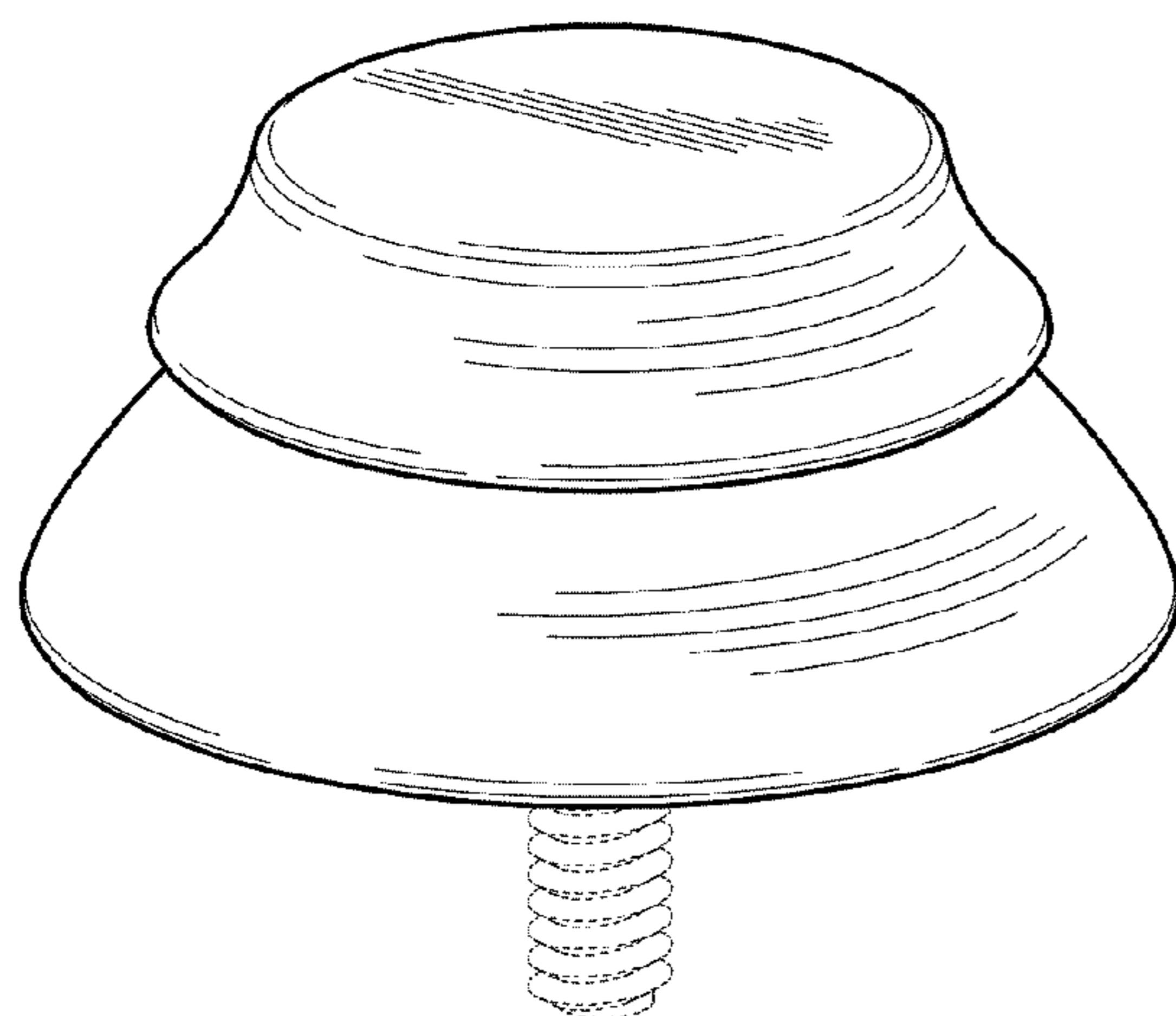
FIG. 4 is a top plan view thereof; and,

FIG. 5 is a bottom plan view thereof.

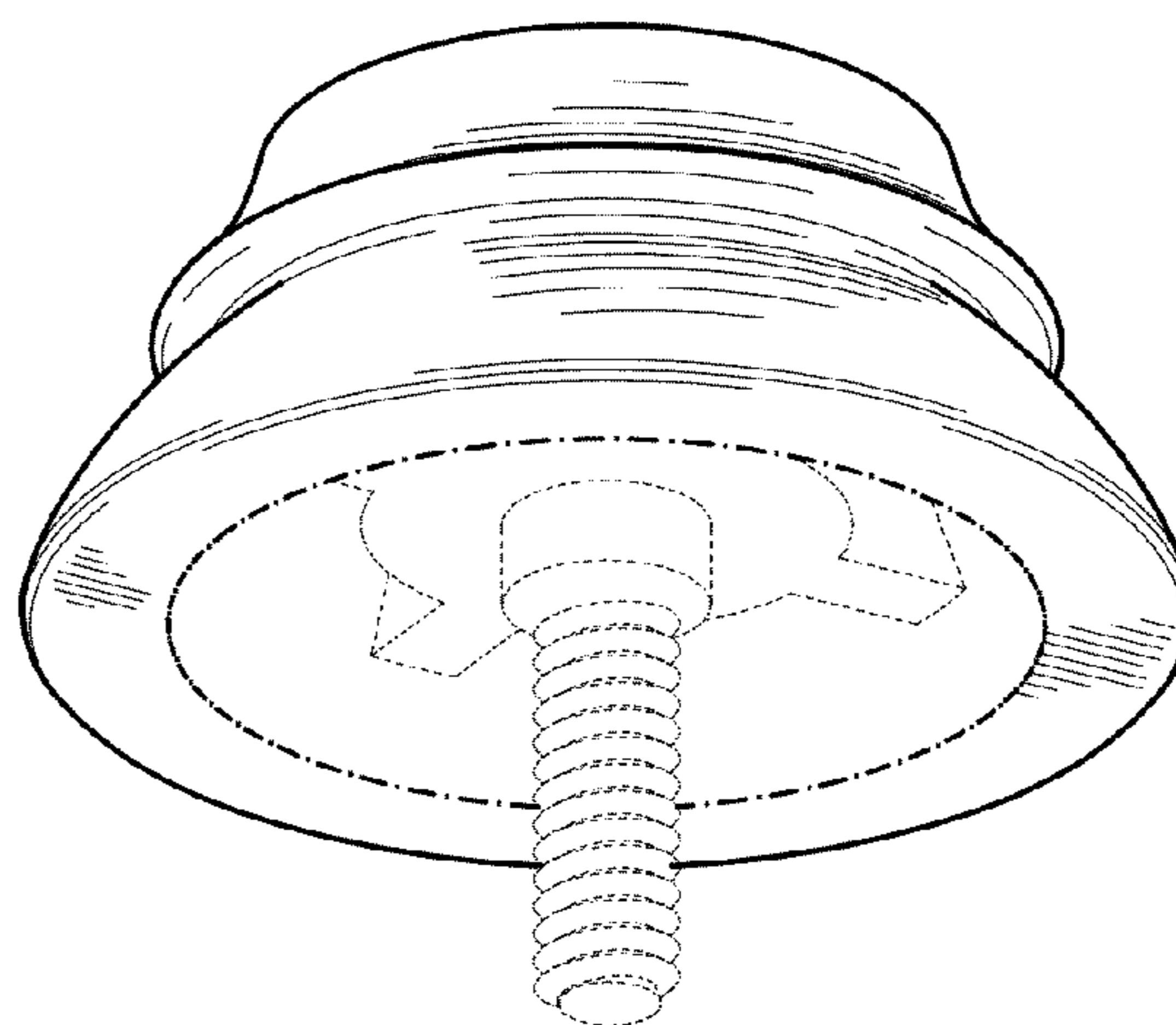
The broken lines immediately adjacent the shaded areas rep-  
resent the bounds of the claim and all other broken lines  
showing the bottom of the trophy pedestal are for the pur-  
poses of illustrating environment. None of the broken lines  
form a part of the claimed design.

**1 Claim, 1 Drawing Sheet**

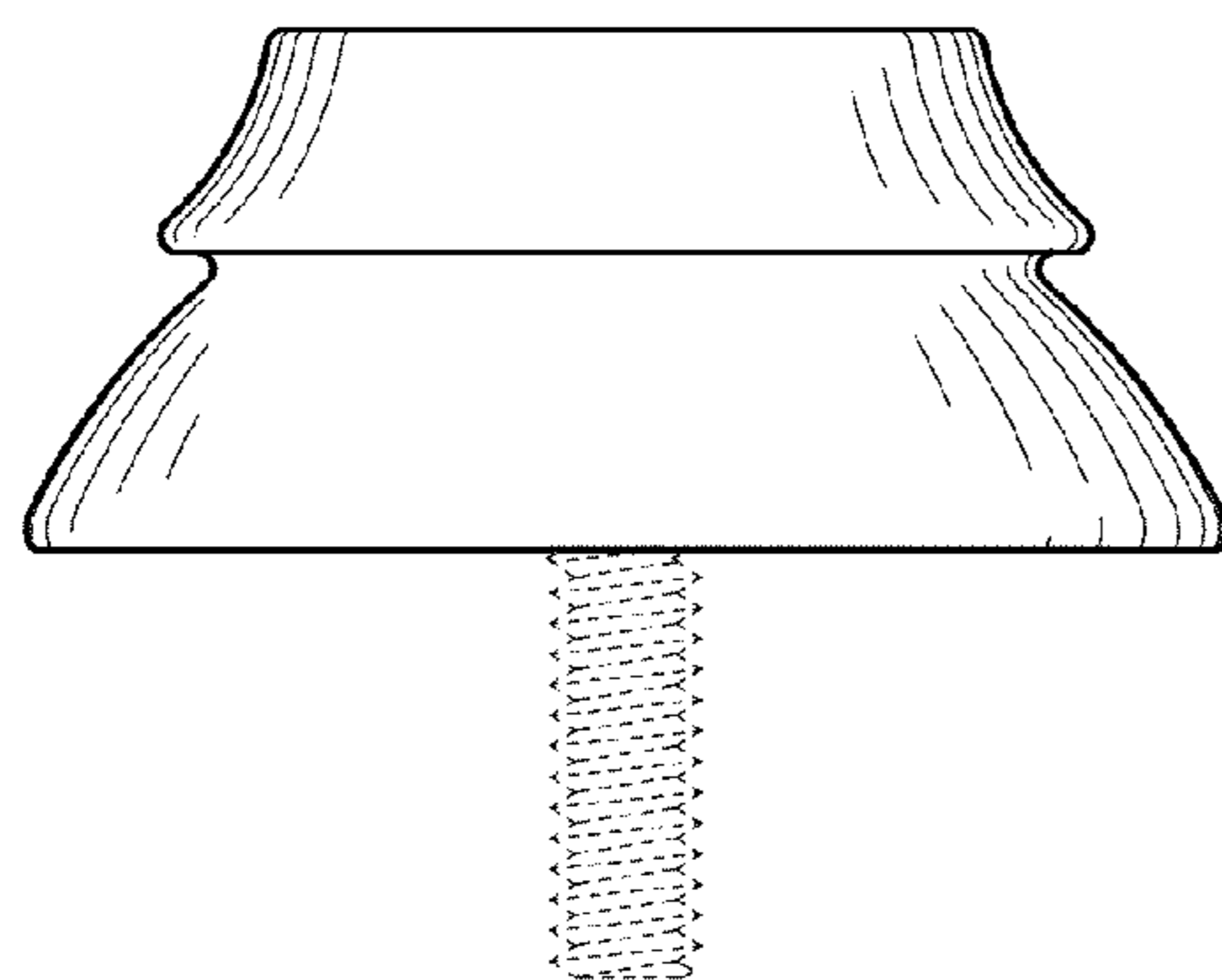




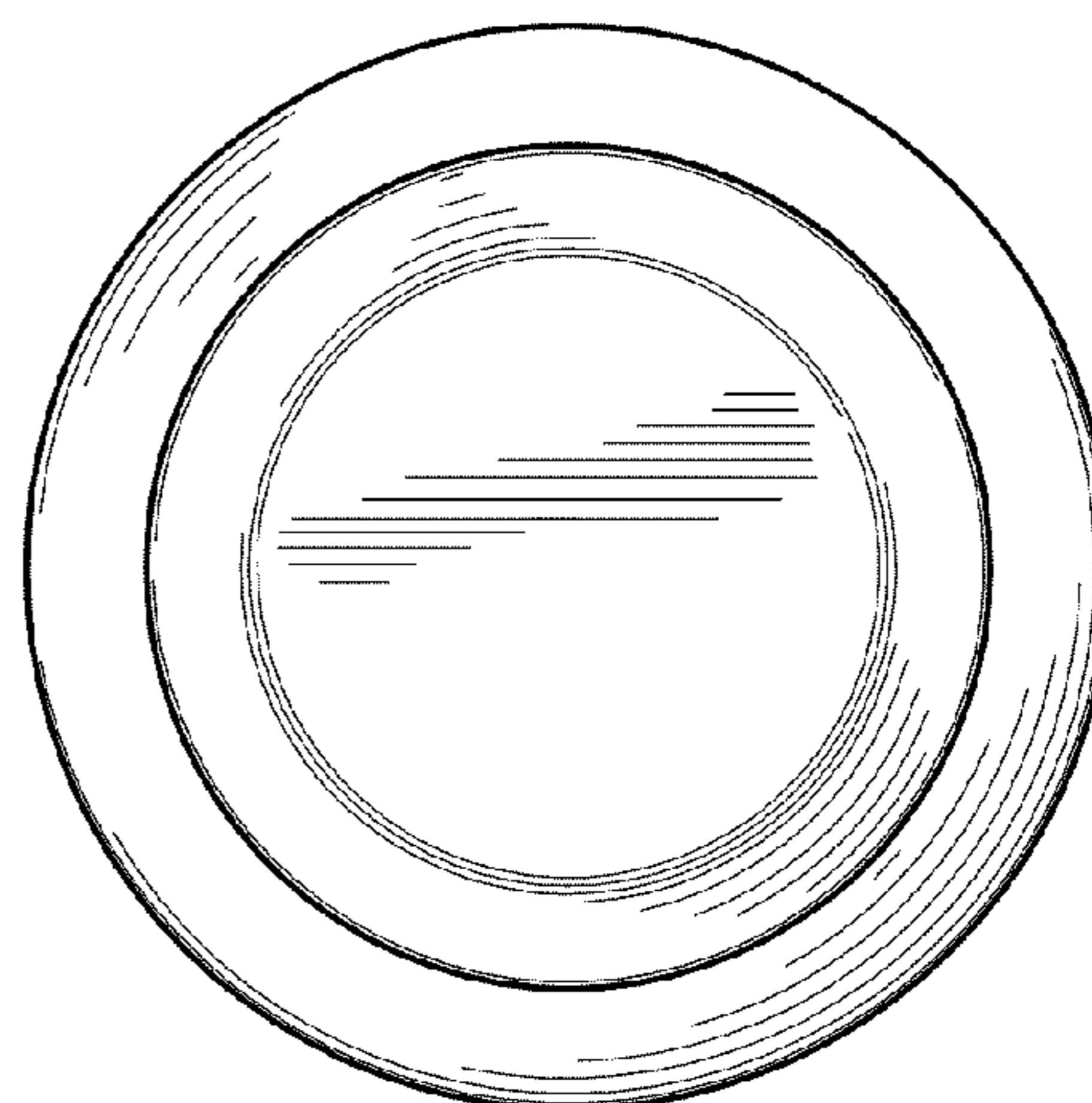
**Fig. 1**



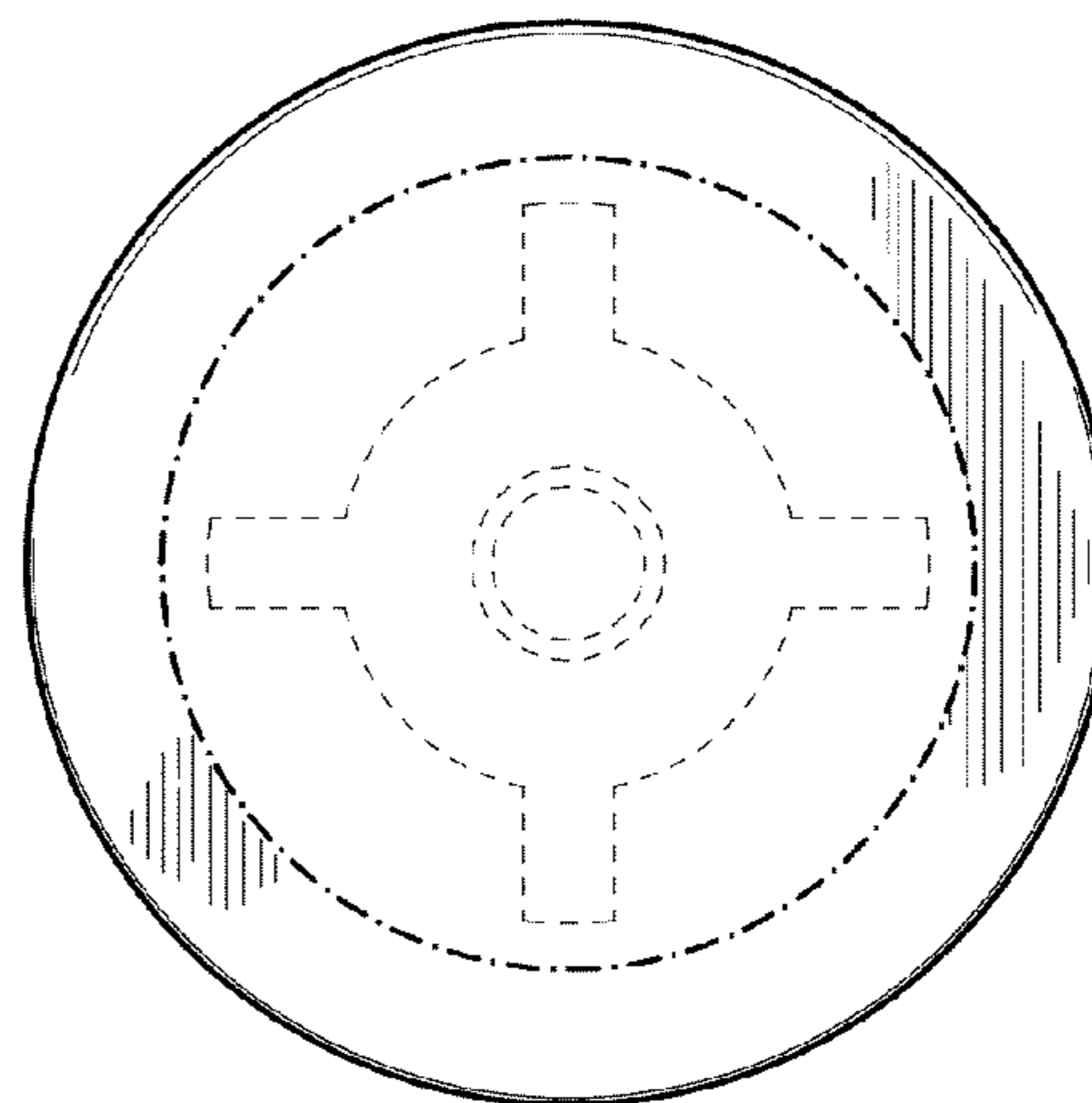
**Fig. 2**



**Fig. 3**



**Fig. 4**



**Fig. 5**

UNITED STATES PATENT AND TRADEMARK OFFICE  
**CERTIFICATE OF CORRECTION**

PATENT NO. : D658,093 S  
APPLICATION NO. : 29/367100  
DATED : April 24, 2012  
INVENTOR(S) : Yi Choi Tam

Page 1 of 1

It is certified that error appears in the above-identified patent and that said Letters Patent is hereby corrected as shown below:

On the Title page of the patent, under “Description” of Fig. 2, after “Fig. 2 is a front/” please delete “fight” and insert -- right --.

On the Title page of the patent, under “Description” of Fig. 32, after “for which” please delete “fight” and insert -- right --.

Signed and Sealed this  
Eleventh Day of February, 2014



Michelle K. Lee  
*Deputy Director of the United States Patent and Trademark Office*