



US00D658075S

(12) **United States Design Patent**  
**Umenaka**

(10) **Patent No.:** **US D658,075 S**  
(45) **Date of Patent:** **\*\* Apr. 24, 2012**

- (54) **POUCH**
- (75) Inventor: **Kazuhiro Umenaka**, Tokyo (JP)
- (73) Assignee: **Hosokawa Yoko Co., Ltd.**, Tokyo (JP)
- (\*\*) Term: **14 Years**
- (21) Appl. No.: **29/400,046**
- (22) Filed: **Aug. 23, 2011**
- (30) **Foreign Application Priority Data**  
Feb. 25, 2011 (JP) ..... 2011-004167
- (51) **LOC (9) Cl.** ..... **09-05**
- (52) **U.S. Cl.** ..... **D9/708**
- (58) **Field of Classification Search** ..... D9/702-714,  
D9/720-722, 414, 434-435, 696, 716, 771,  
D9/447; D24/118, 207; 383/6, 9, 22, 96,  
383/61.1, 80-81, 104, 901, 63, 203, 107,  
383/119, 120, 123; 222/107, 92, 206; 604/408,  
604/410, 403; 220/495.03  
See application file for complete search history.

- (56) **References Cited**  
**U.S. PATENT DOCUMENTS**  
D474,682 S \* 5/2003 Berman ..... D9/708  
D587,133 S \* 2/2009 Berman ..... D9/708  
D599,676 S \* 9/2009 Friebe et al. .... D9/708  
D609,112 S \* 2/2010 Koyanagi ..... D9/708  
D619,906 S \* 7/2010 Carignan et al. .... D9/708  
D627,237 S \* 11/2010 Ueda et al. .... D9/708  
D639,185 S \* 6/2011 Hung ..... D9/709  
D639,677 S \* 6/2011 Ueda et al. .... D9/708  
D644,123 S \* 8/2011 Blau ..... D9/709  
D644,937 S \* 9/2011 Ueda et al. .... D9/708

- FOREIGN PATENT DOCUMENTS**  
JP 11 147547 6/1999  
JP 2000 072161 3/2000  
JP D1 064 029 3/2000

JP	D1 073 370	6/2000
JP	2004 196414	7/2004
JP	2011 148549	8/2011

**OTHER PUBLICATIONS**

English Machine Translation of JP-2011 148549, Publication Date: Aug. 4, 2011.  
Hosokawa Yoko Co Ltd., "Gusset Bag," Patent Abstracts of Japan, Publication Date: Jul. 15, 2004; English Abstract of JP-2004 196414.  
Mitsubishi Heavy Ind Ltd., "Container for packaging," Publication Date: Mar. 13, 2000; English Machine Translation of JP-D1 064 029.  
Mitsubishi Heavy Ind Ltd., "Container for packaging," Publication Date: Jun. 5, 2000; English Machine Translation of JP-D1 073 370.  
Mitsubishi Heavy Ind Ltd., "Irregularly-shaped container with mouth stopper," Patent Abstracts of Japan, Publication Date: Mar. 7, 2000; English Abstract of JP-2000 072161.  
Mitsubishi Heavy Ind Ltd., "Irregular-shaped container with plug," Patent Abstracts of Japan, Publication Date: Jun. 2, 1999; English Abstract of JP-11-147547.

\* cited by examiner

*Primary Examiner* — Caron D Veynar  
*Assistant Examiner* — Abraham Bahta  
(74) *Attorney, Agent, or Firm* — Millen, White, Zelano & Branigan, P.C.

(57) **CLAIM**  
The ornamental design for a pouch, as shown and described.

**DESCRIPTION**

FIG. 1 is a rear perspective view of a pouch showing my new design;  
FIG. 2 is a front perspective view thereof;  
FIG. 3 is a bottom perspective view thereof;  
FIG. 4 is a rear elevational view thereof;  
FIG. 5 is a front elevational view thereof;  
FIG. 6 is a right side elevational view thereof; a left side elevational view is a mirror image of the right side elevational view;  
FIG. 7 is a top plan view thereof; and,  
FIG. 8 is a bottom plan view thereof.

**1 Claim, 3 Drawing Sheets**

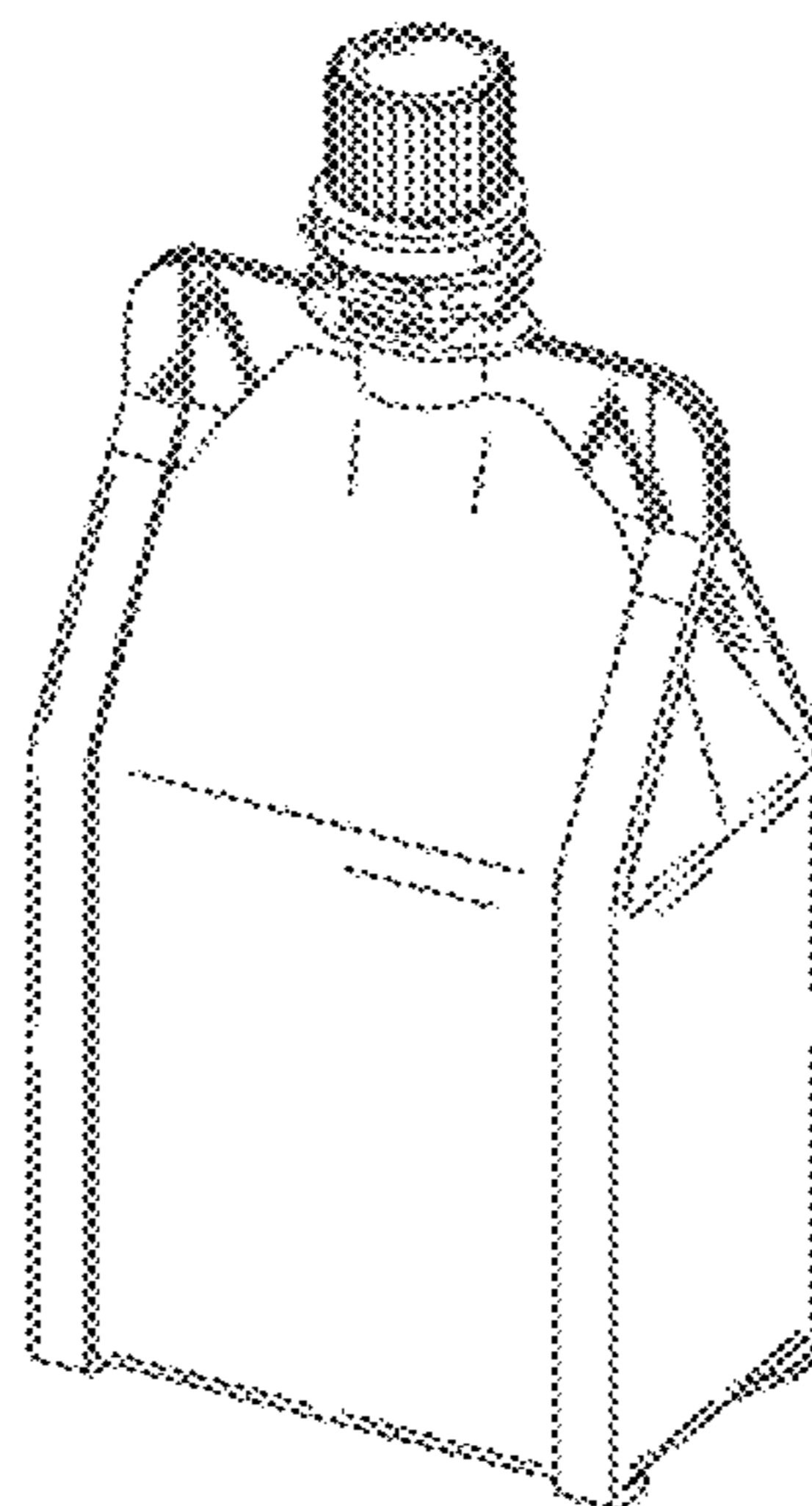


Fig. 1

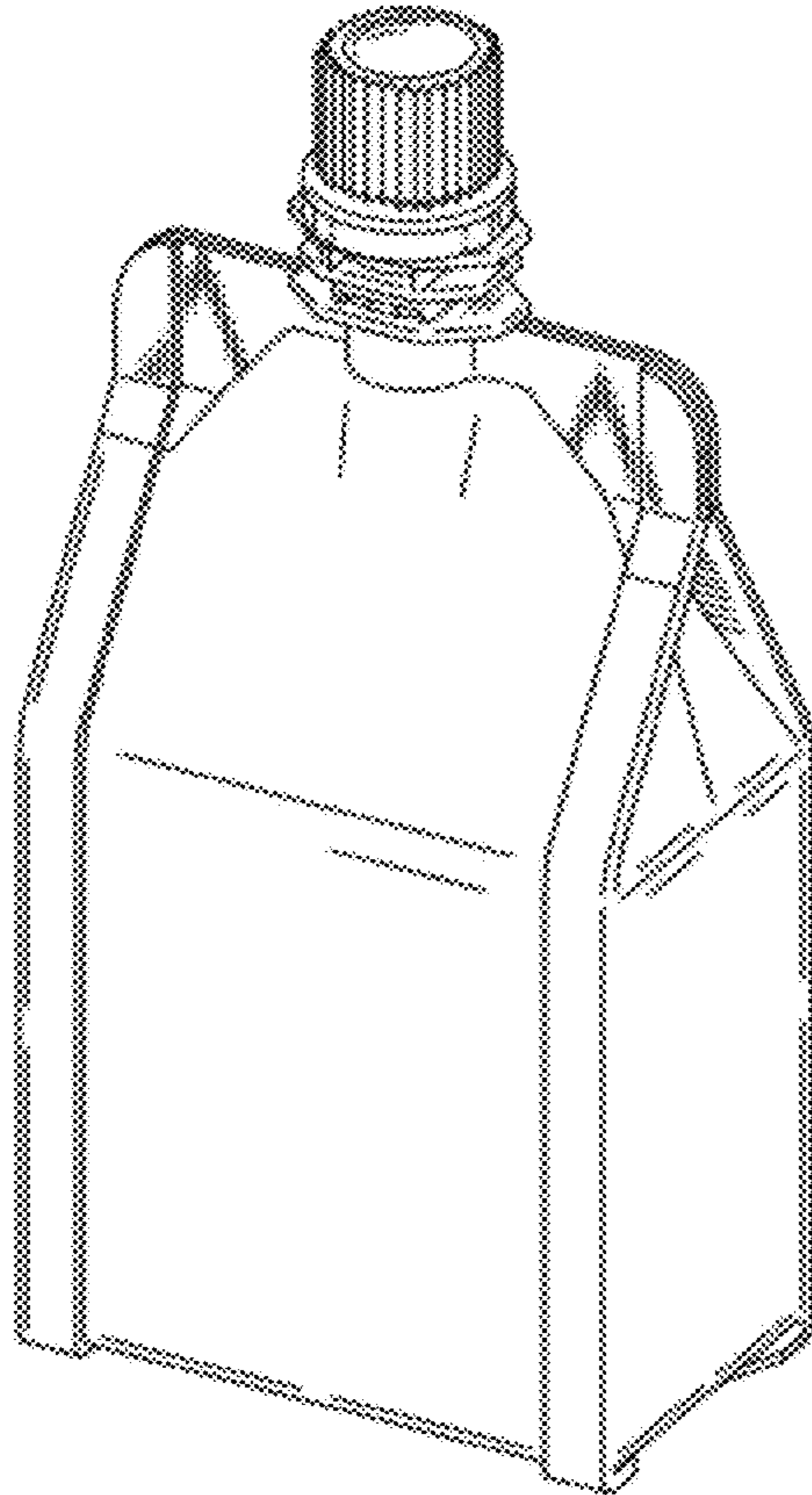


Fig. 2

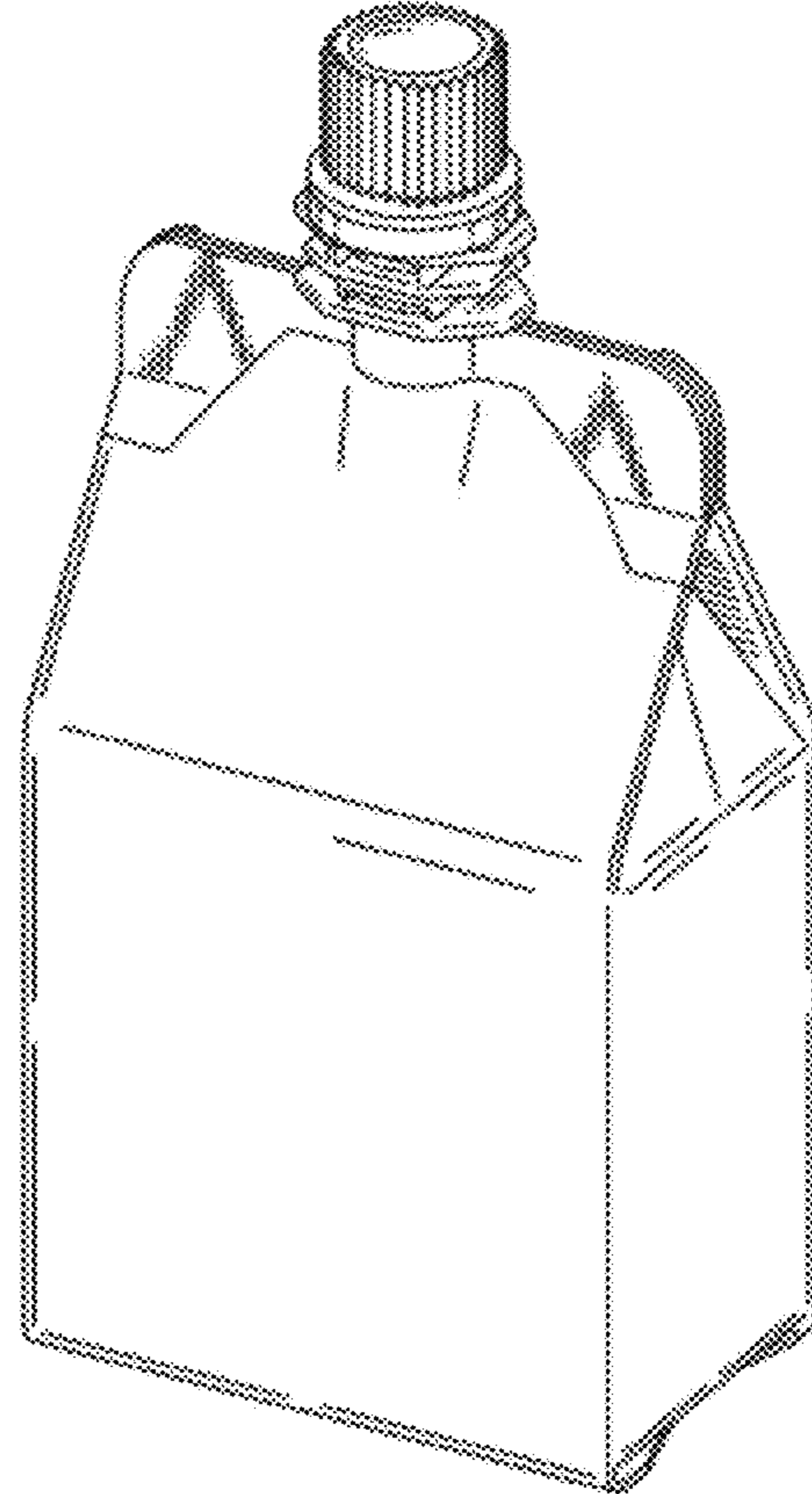


Fig. 3

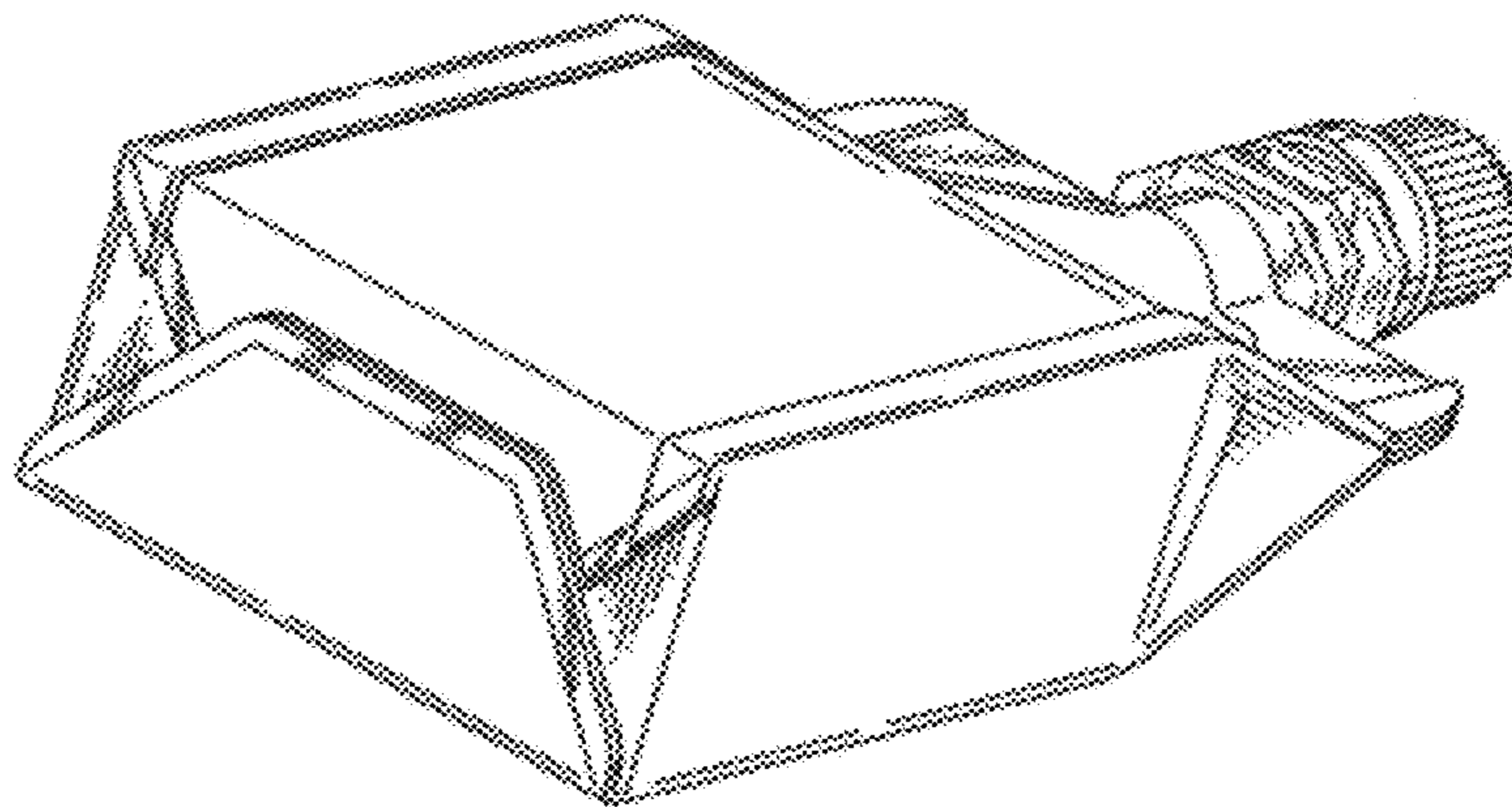


Fig.4

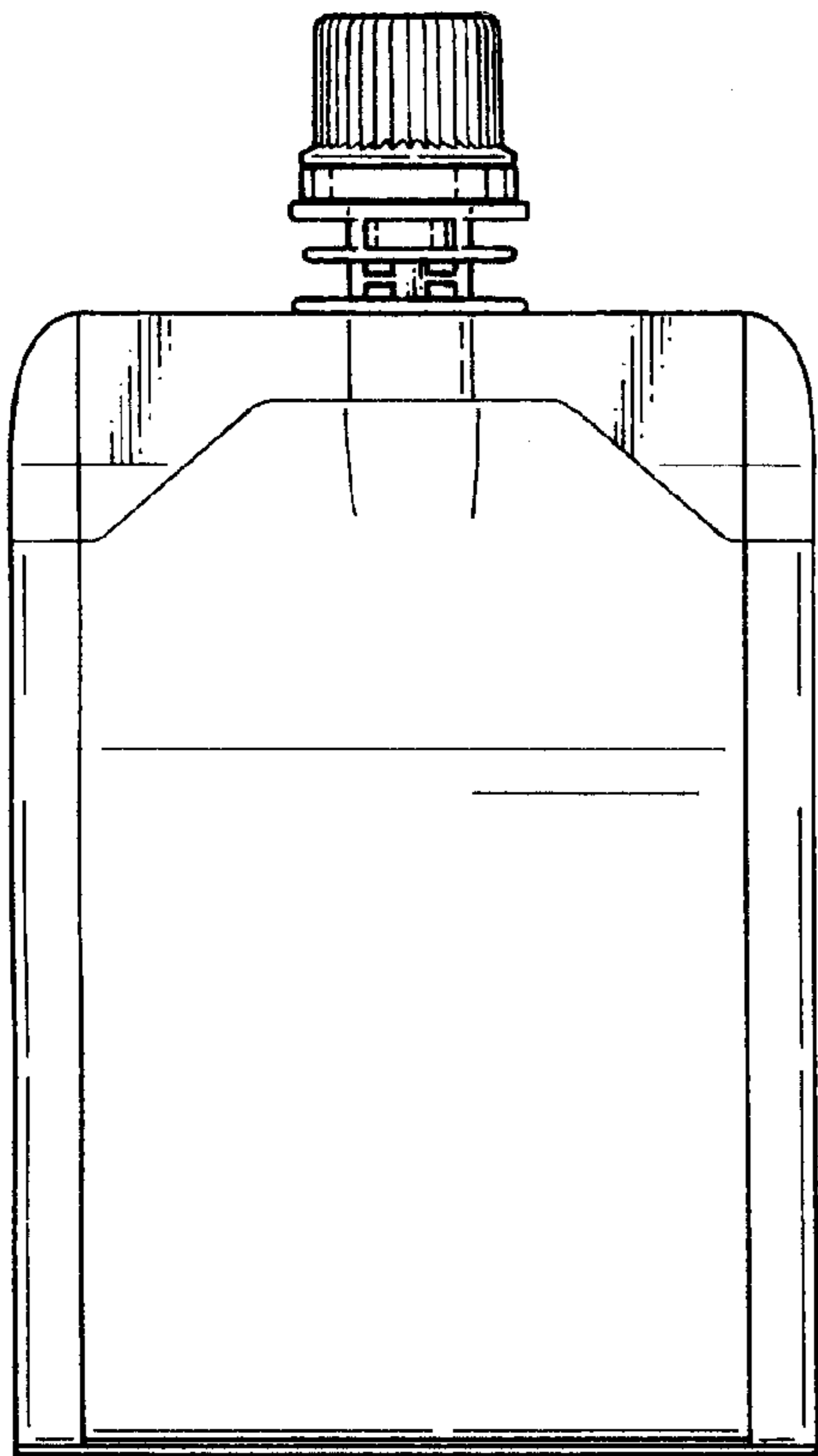


Fig.5

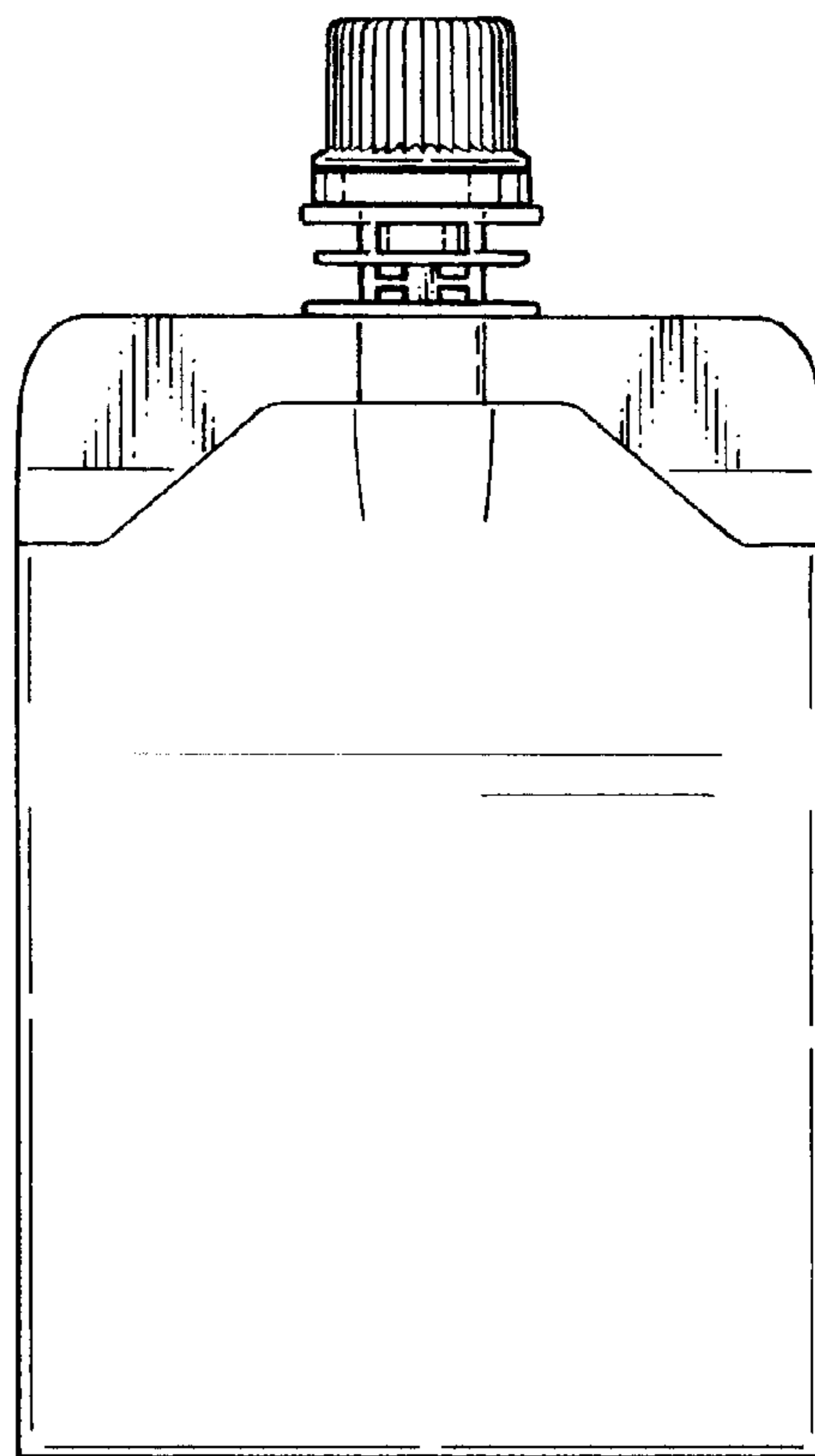


Fig.6

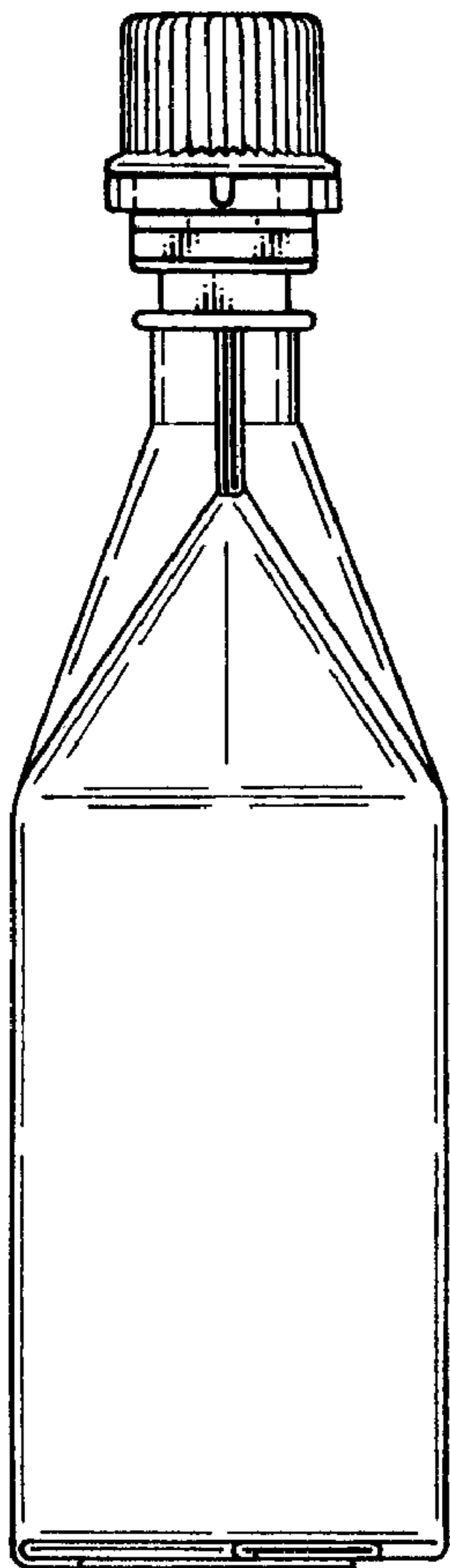


Fig.7

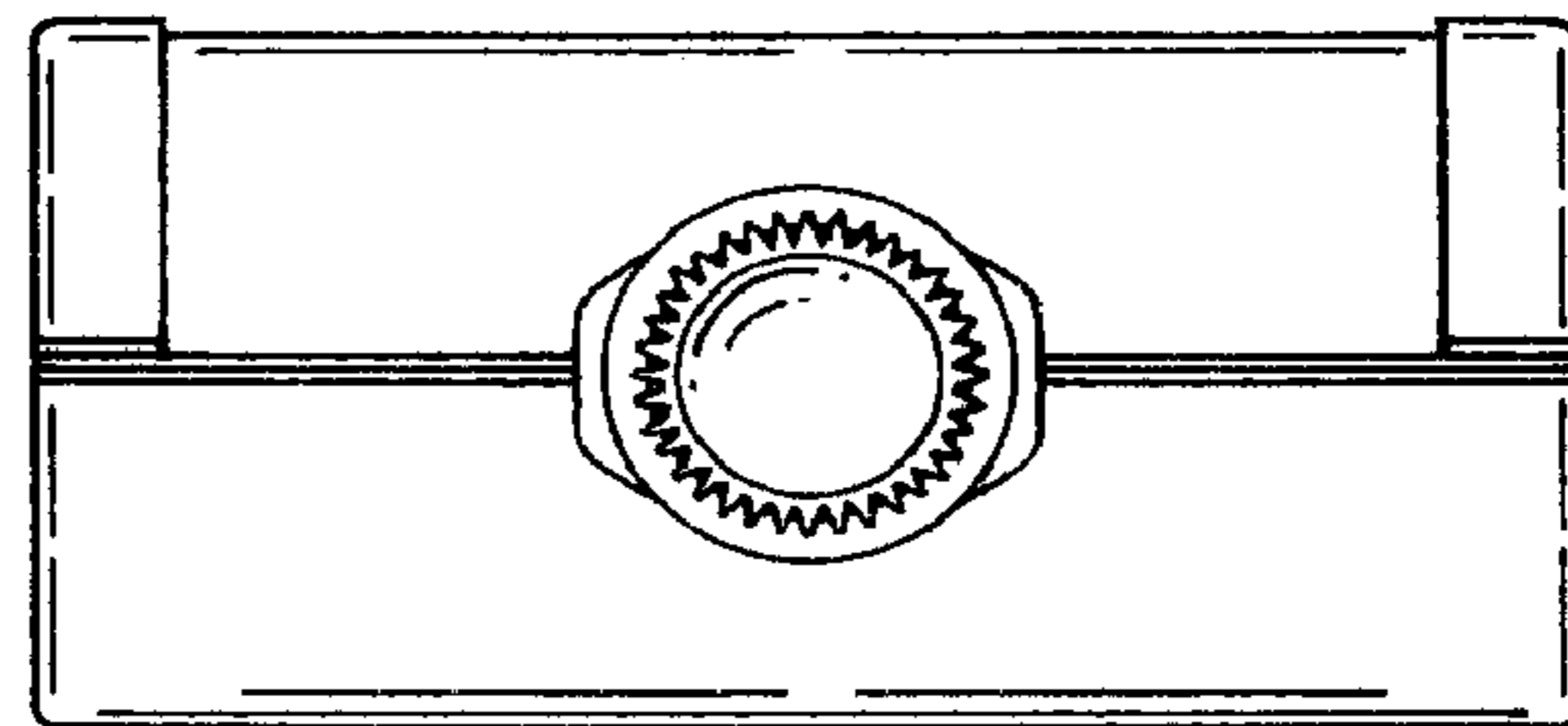


Fig.8

