



US00D658073S

(12) **United States Design Patent**
Lee

(10) **Patent No.:** **US D658,073 S**
(45) **Date of Patent:** **** Apr. 24, 2012**

(54) **PORTABLE PERFUME CONTAINER**

(76) Inventor: **Chung Kee Lee**, Seoul (KR)

(**) Term: **14 Years**

(21) Appl. No.: **29/377,386**

(22) Filed: **Oct. 20, 2010**

(51) **LOC (9) Cl.** **09-01**

(52) **U.S. Cl.** **D9/691**

(58) **Field of Classification Search** D9/682-694,
D9/715, 719, 516-575, 434-455; D28/5,
D28/76-91.1; D3/207-212; D11/2, 79;
222/129, 135, 153.01, 153.03, 153.04, 153.09,
222/153.11-153.14, 182, 631, 635, 209,
222/211-213, 215, 321.7-321.9, 372, 373,
222/378, 379, 383.1, 384-386, 398, 400.7,
222/400.8, 401, 402.1-402.25, 175, 180,
222/192; 215/379-384, 227, 228; 220/669-675
See application file for complete search history.

(56) **References Cited**

U.S. PATENT DOCUMENTS

D107,704 S *	12/1937	Schiaparelli	D28/90
D111,591 S *	10/1938	Rosenberg	D28/91.1
D128,286 S *	7/1941	Kane	D28/77
D128,849 S *	8/1941	Petzold	D28/88
D190,215 S *	4/1961	Slater	D28/89
3,112,048 A *	11/1963	Finkenzeller	222/183
4,023,712 A *	5/1977	Babiak et al.	222/175
D306,355 S *	2/1990	Shinohara	D28/7
D351,049 S *	9/1994	Schlueter	D28/77
5,492,248 A *	2/1996	Ortner	222/78
D391,159 S *	2/1998	Sheffler	D9/500
D409,830 S *	5/1999	Stafford	D3/208

D531,256 S *	10/2006	Larsen et al.	D22/117
D541,170 S *	4/2007	Bloc	D9/692
D617,653 S *	6/2010	Thumerel et al.	D9/682
D630,010 S *	1/2011	Brown	D3/208

FOREIGN PATENT DOCUMENTS

EM	000118393-0009	*	4/2004
EM	000812680-0002	*	11/2007

* cited by examiner

Primary Examiner — Catherine Tuttle

(74) *Attorney, Agent, or Firm* — Ladas & Parry, LLP

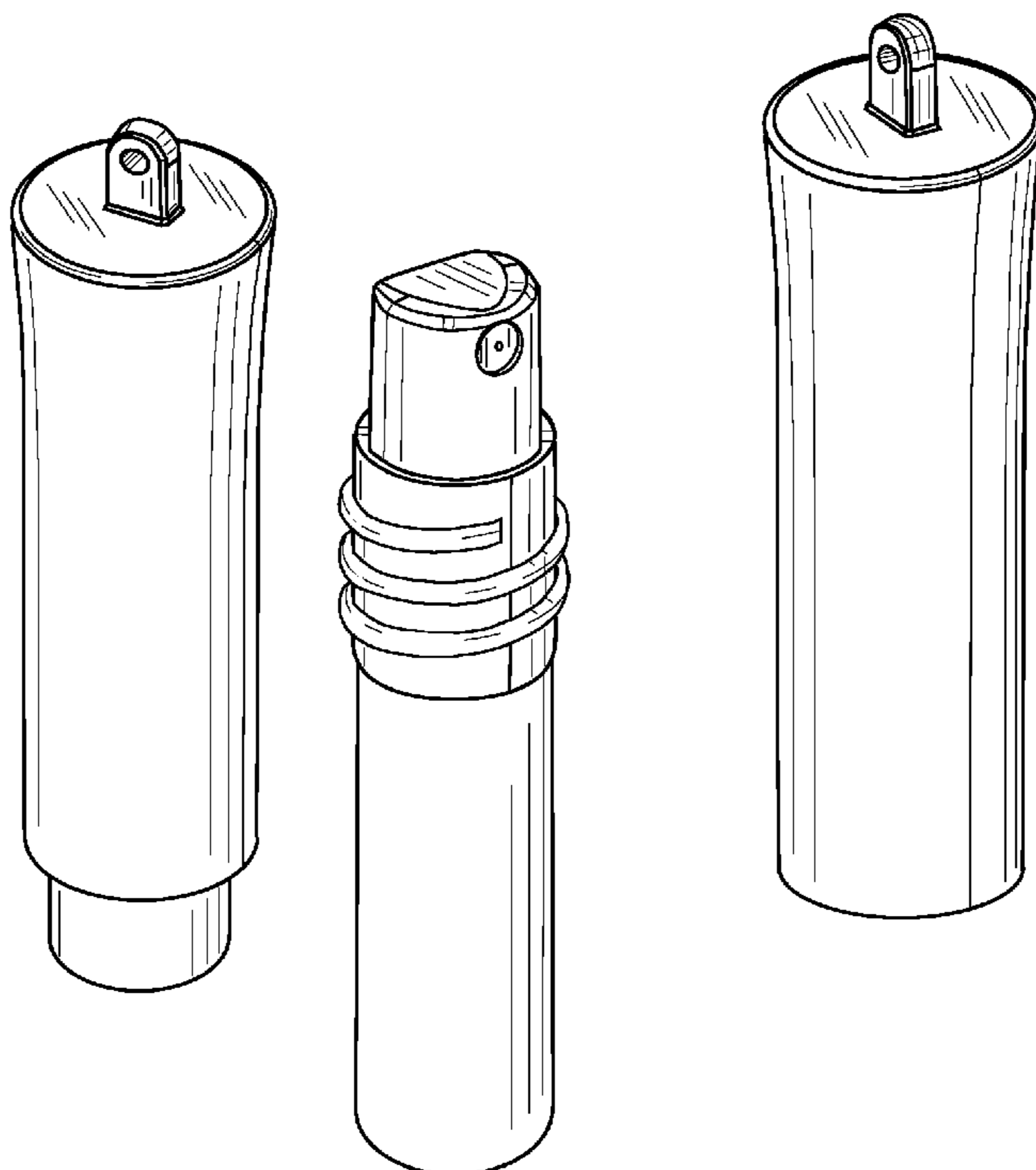
(57) **CLAIM**

The ornamental design for portable perfume container, as shown and described.

DESCRIPTION

FIG. 1 is a perspective view of portable perfume container showing my new design;
FIG. 2 is a front view thereof;
FIG. 3 is a rear view thereof;
FIG. 4 is a left side view thereof;
FIG. 5 is a right side view thereof;
FIG. 6 is a top plan view thereof;
FIG. 7 is a bottom plan view thereof;
FIG. 8 is a perspective view showing the container and cap portions separated,
FIG. 9 is an elevation view of FIG. 8; and,
FIG. 10 is a view showing the profile of the cap along the plane indicated by line 10-10.

1 Claim, 9 Drawing Sheets



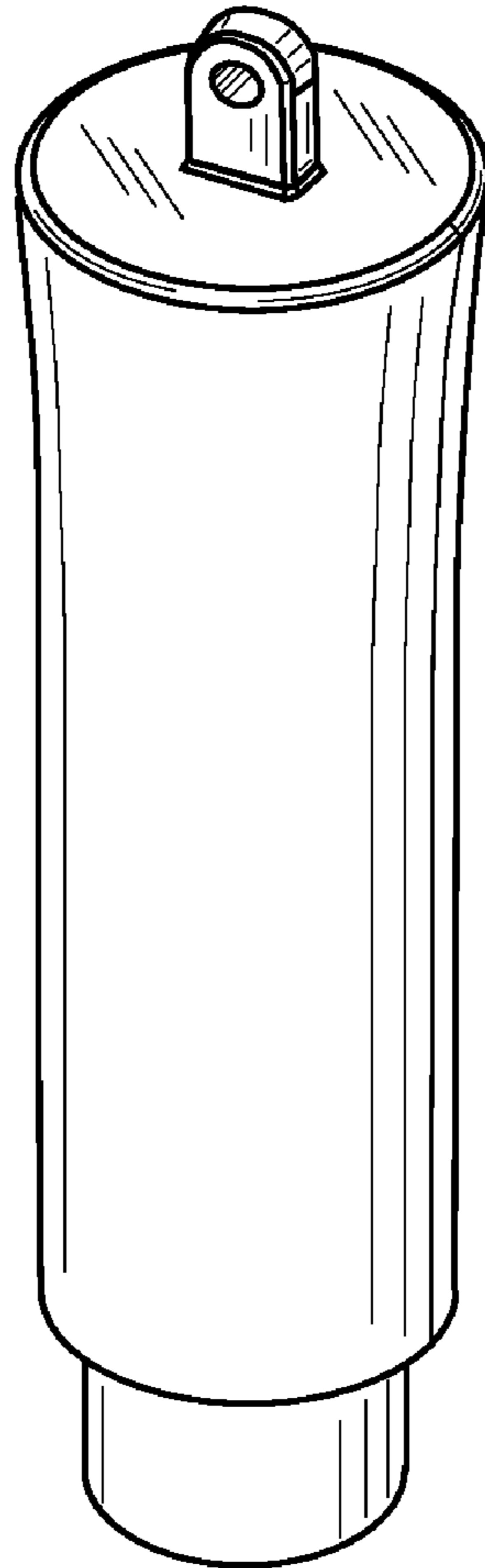


FIG. 1

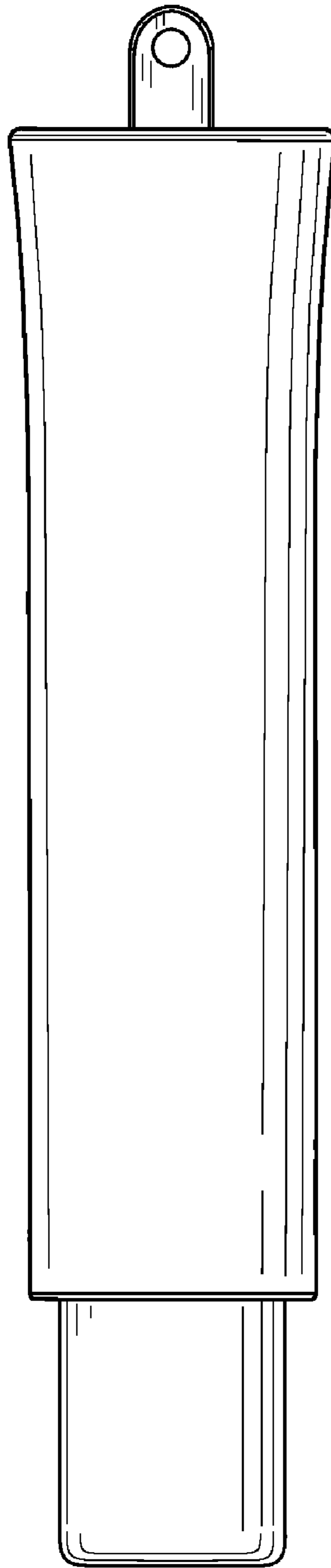


FIG. 2

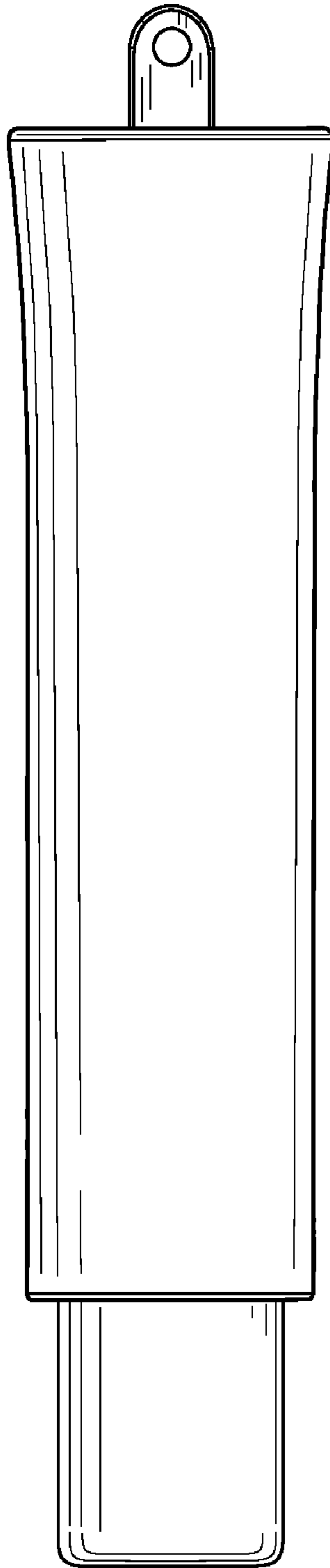


FIG. 3

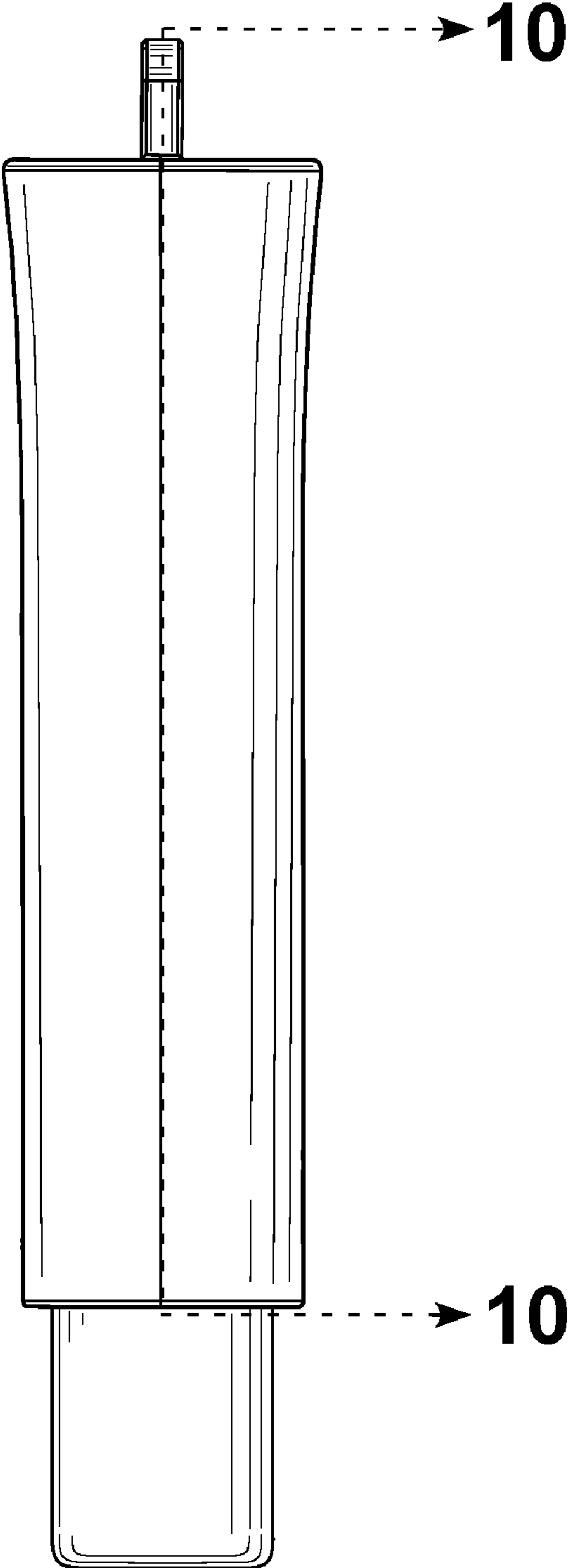


FIG. 4

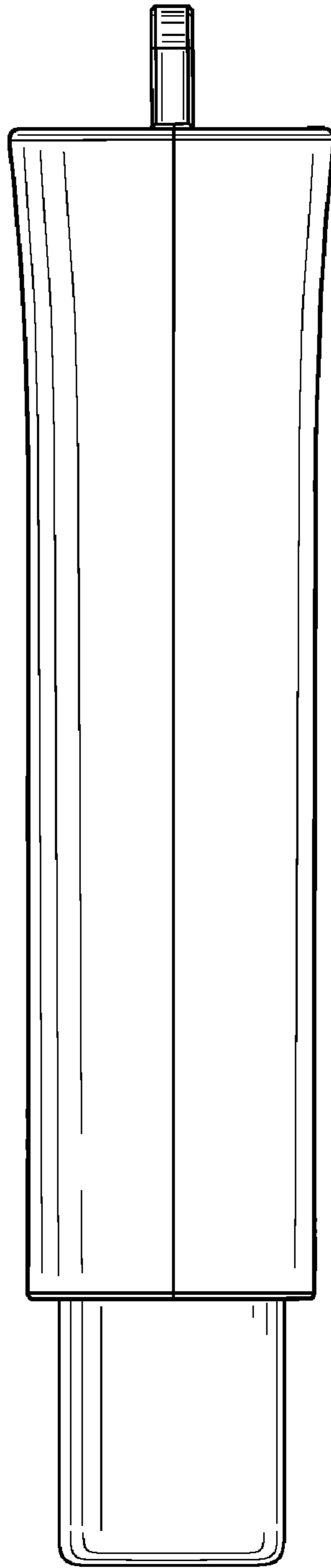


FIG. 5

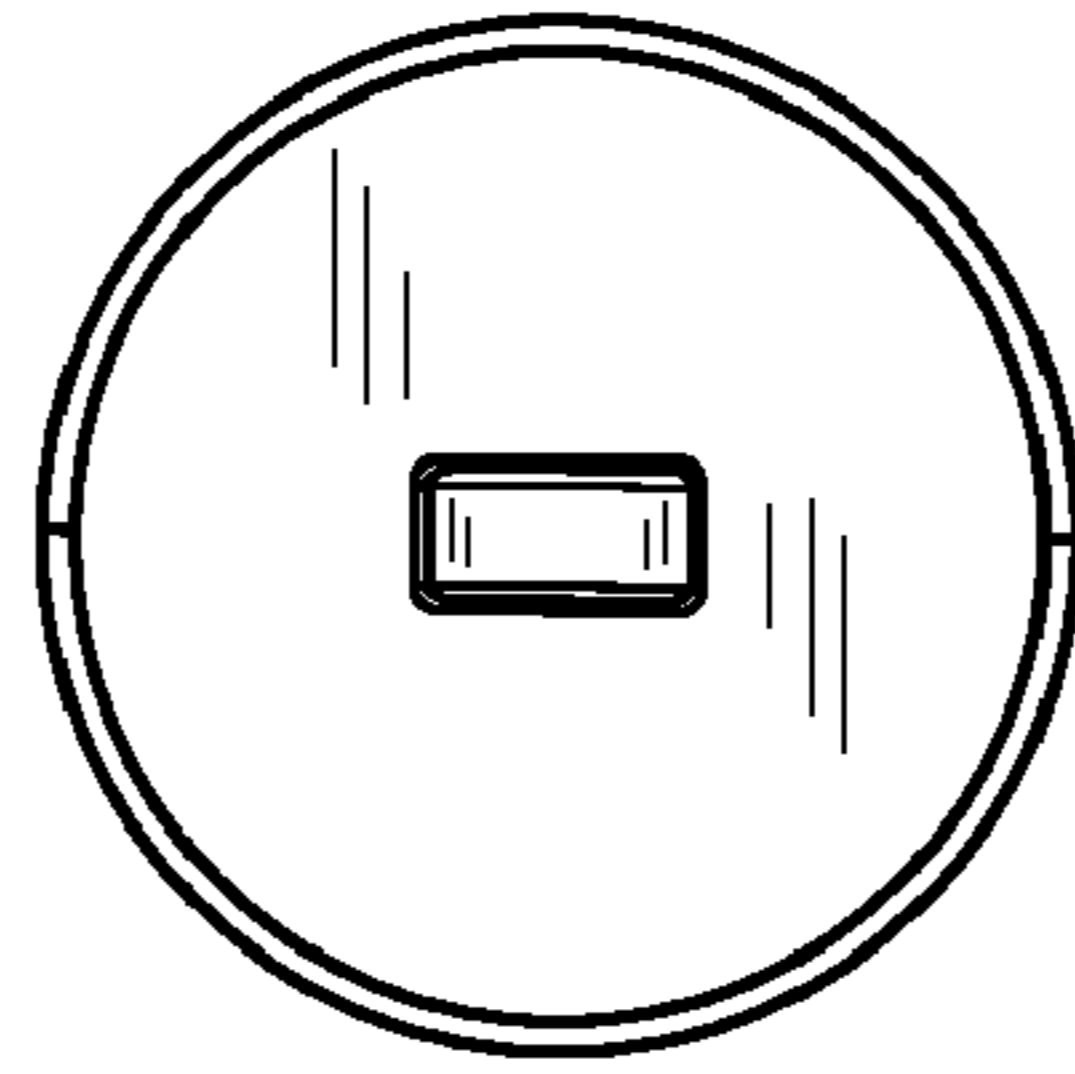


FIG. 6

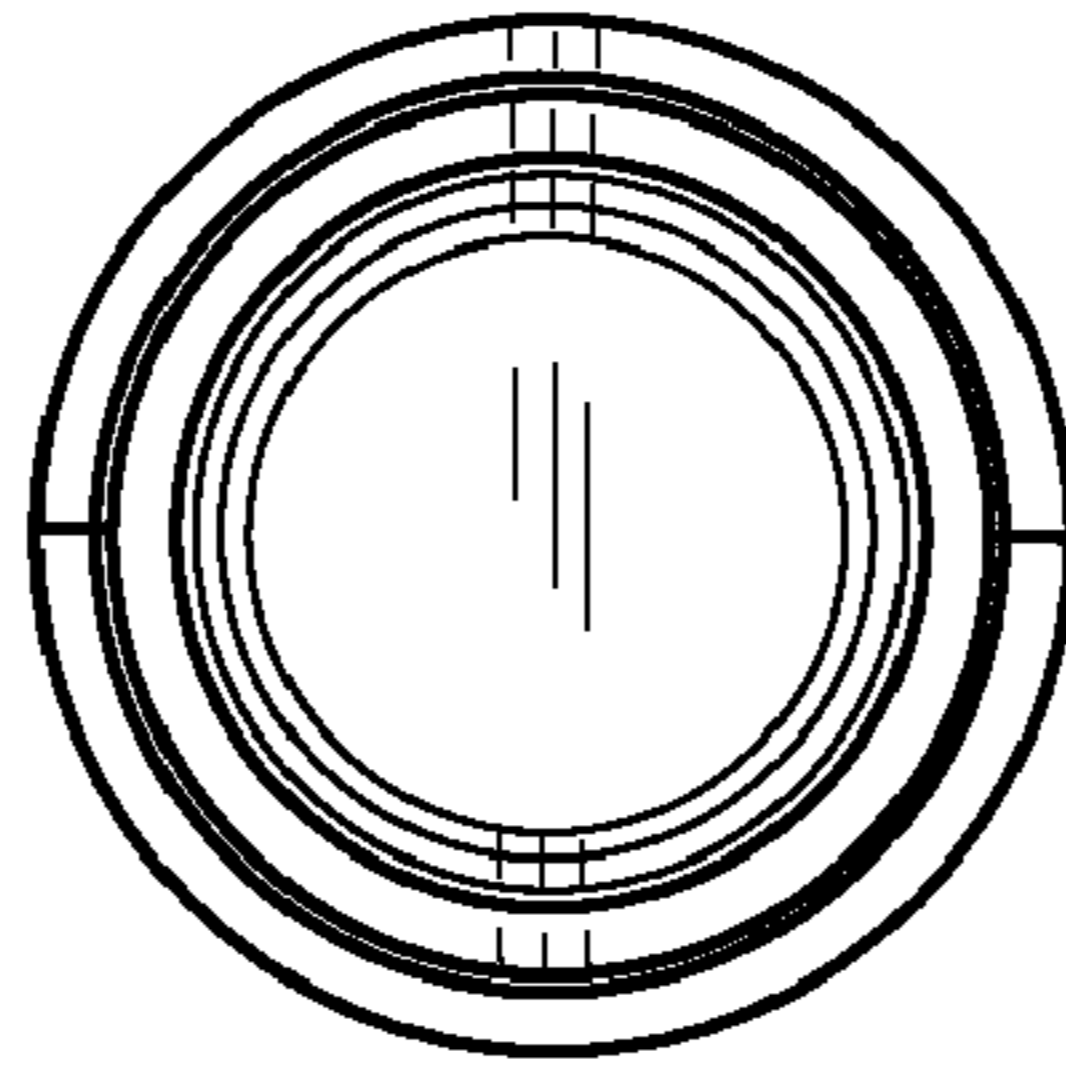


FIG. 7

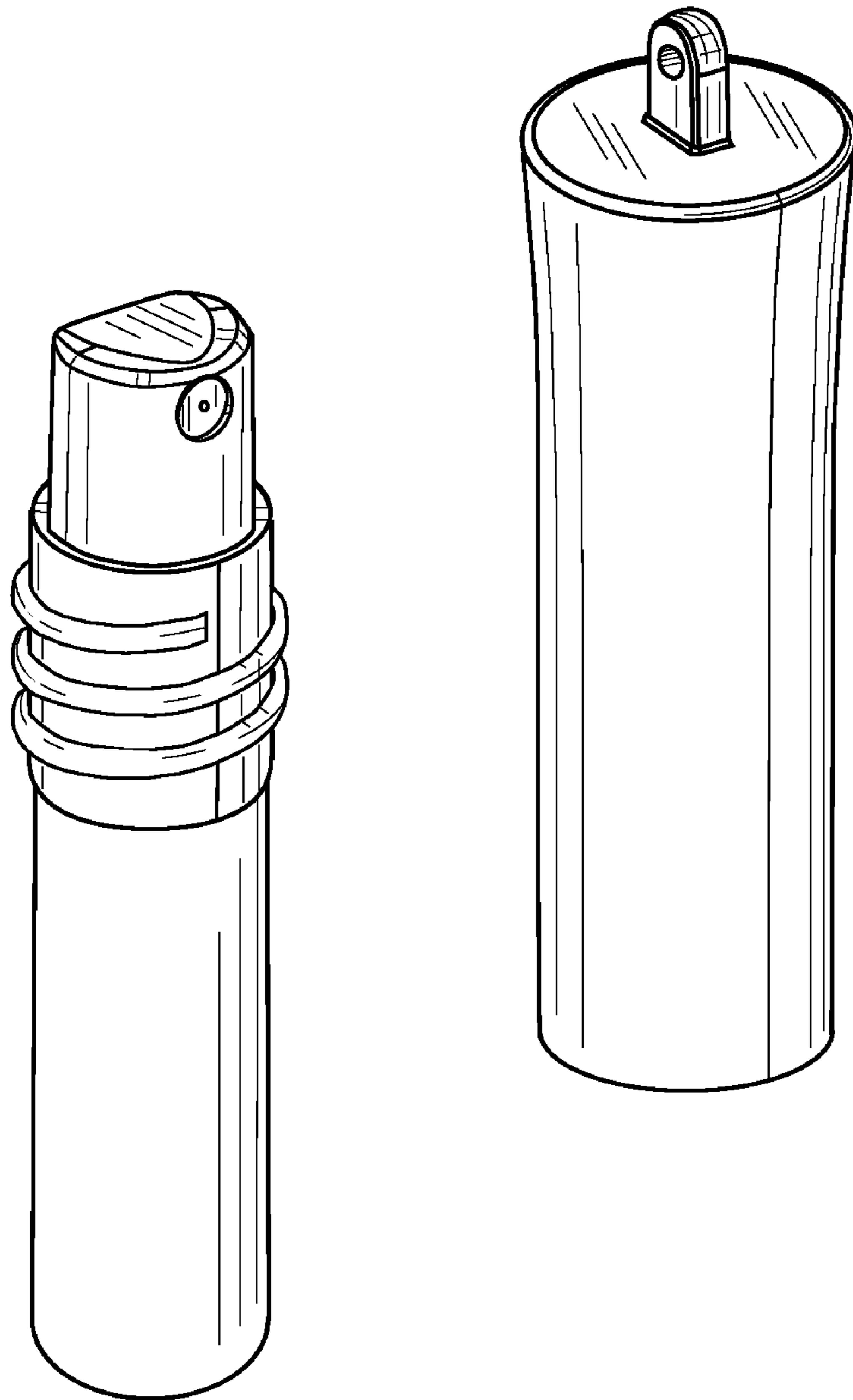


FIG. 8

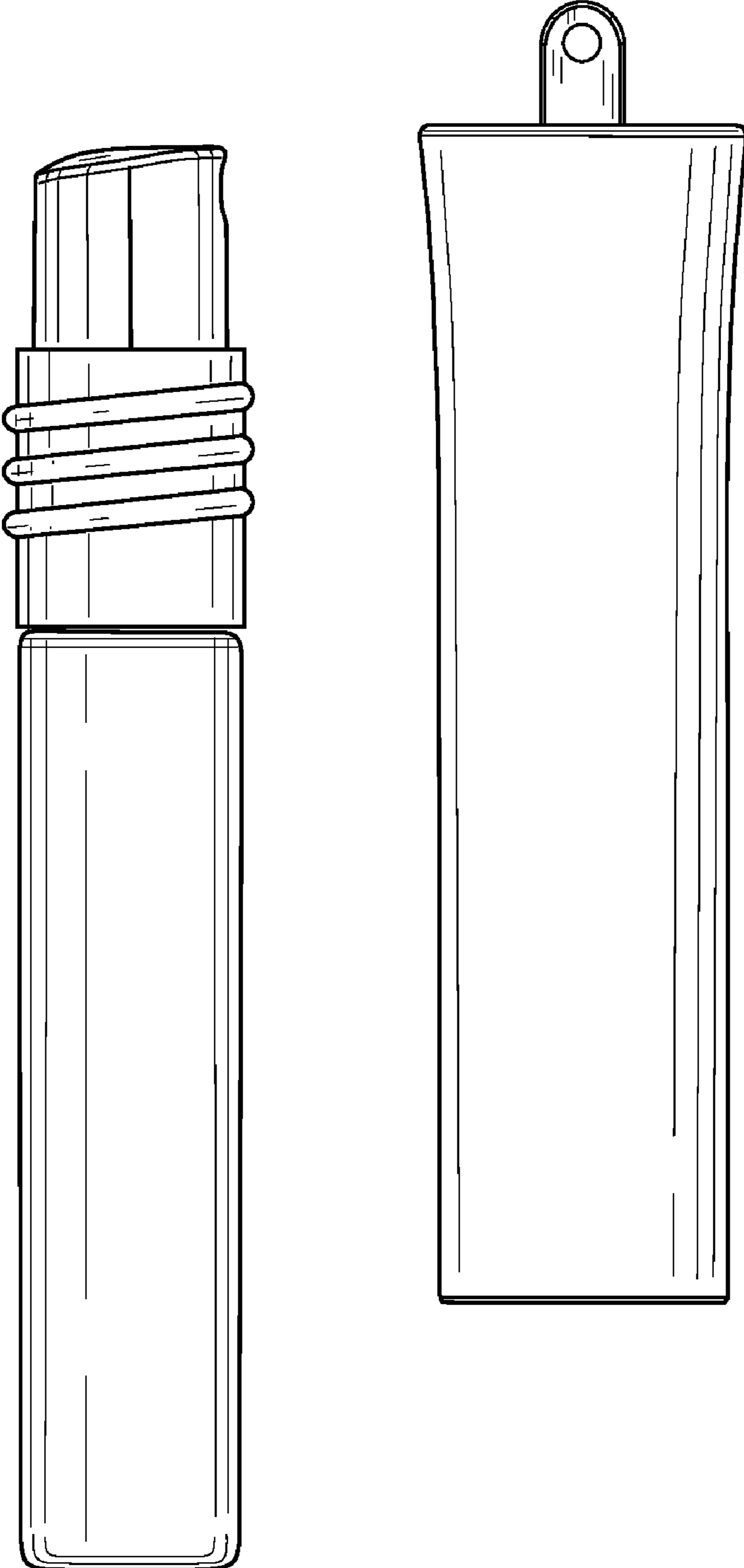


FIG. 9

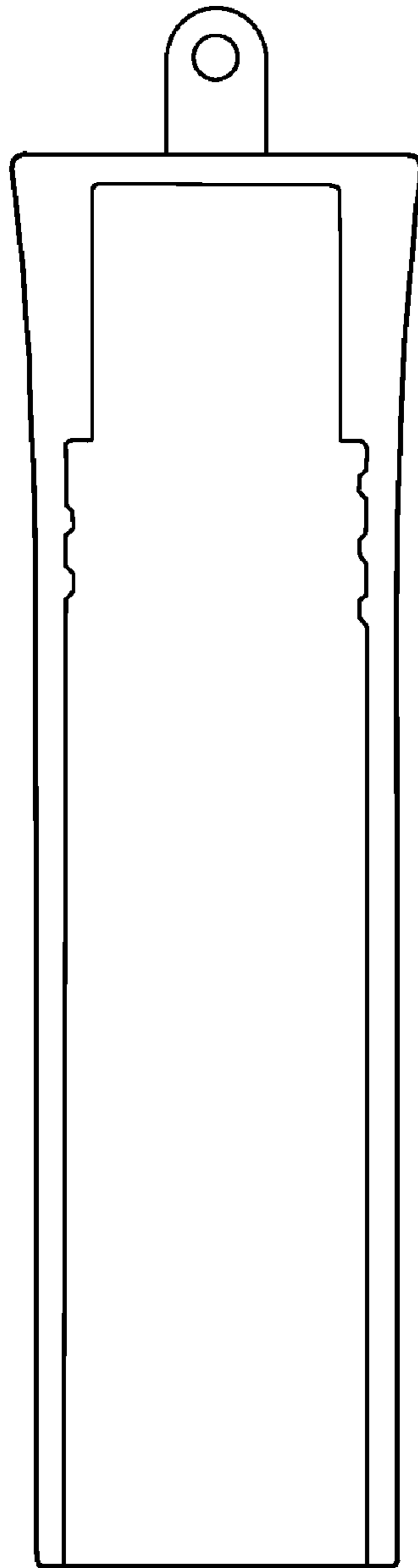


FIG. 10