



US00D658068S

(12) **United States Design Patent**  
**Nawrocki**

(10) **Patent No.:** **US D658,068 S**

(45) **Date of Patent:** **\*\* Apr. 24, 2012**

(54) **PERFUME BOTTLE**

(75) Inventor: **Jan Nawrocki**, Osielsko (PL)

(73) Assignee: **Politech SP. z.o.o.**, Osielsko (PL)

(\*\*) Term: **14 Years**

(21) Appl. No.: **29/377,134**

(22) Filed: **Oct. 18, 2010**

(51) **LOC (9) Cl.** ..... **09-01**

(52) **U.S. Cl.** ..... **D9/549**; D9/559; D9/573; D9/575

(58) **Field of Classification Search** ..... D9/516,  
D9/530, 541-542, 544-546, 559, 572-575,  
D9/682, 686-687, 694; 215/379, 381-382;  
220/660, 662, 669-673, 675

See application file for complete search history.

(56) **References Cited**

**U.S. PATENT DOCUMENTS**

D4,756 S *	4/1871	Kirchner	.....	D9/559
D53,360 S *	5/1919	Connor	.....	D9/771
D54,219 S *	11/1919	McCoy	.....	D9/546
1,419,509 A *	6/1922	Newell	.....	215/382
D61,544 S *	10/1922	Newell	.....	D9/546
D73,278 S *	8/1927	Brewster	.....	D9/661

D73,368 S *	8/1927	Cavanaugh	.....	D9/544
D86,118 S *	2/1932	Fuerst	.....	D9/559
D87,167 S *	6/1932	Noble	.....	D9/559
D89,141 S *	1/1933	Wilson	.....	D9/559
D92,424 S *	6/1934	Piazzoli	.....	D9/559
D315,498 S *	3/1991	Rudloff	.....	D9/546
D418,760 S *	1/2000	Blank	.....	D9/541

\* cited by examiner

*Primary Examiner* — Ian Simmons

*Assistant Examiner* — Dana L Sipos

(74) *Attorney, Agent, or Firm* — Katten Muchin Rosenman LLP

(57) **CLAIM**

The ornamental design for a perfume bottle, as shown and described.

**DESCRIPTION**

FIG. 1 is a perspective view of a perfume bottle showing my new design;

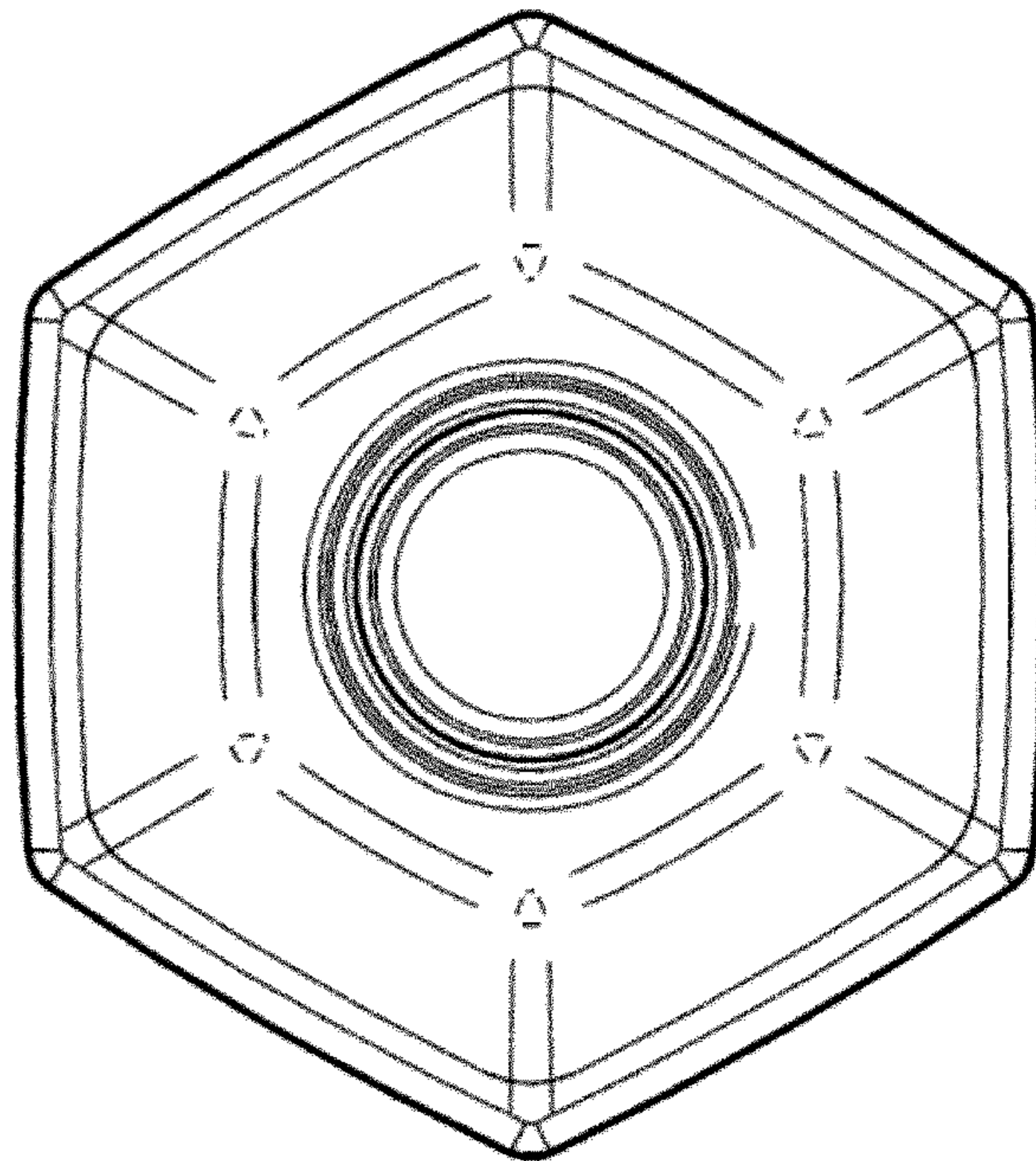
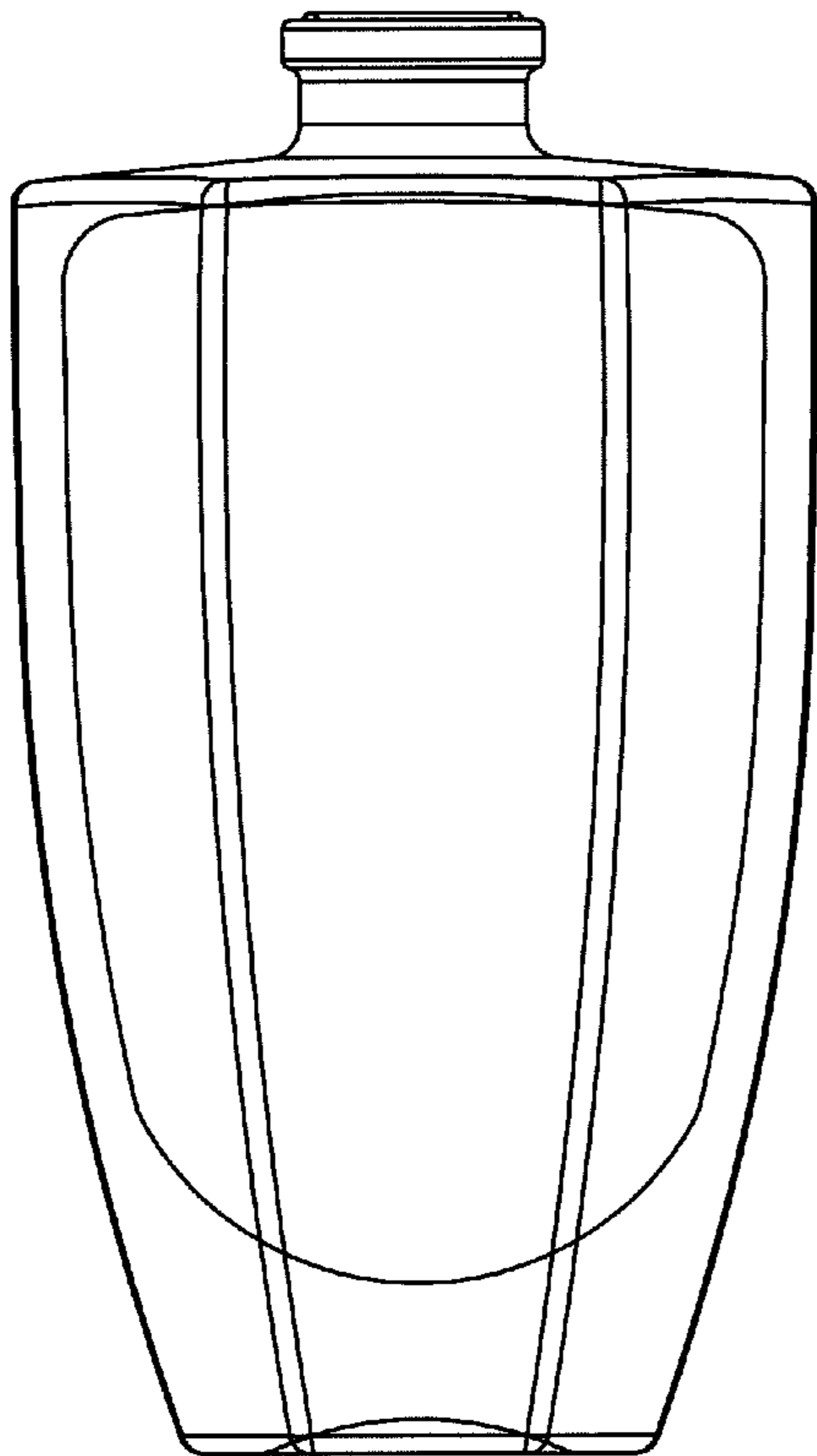
FIG. 2 is a front view thereof;

FIG. 3 is a side view thereof;

FIG. 4 is a top plan view thereof; and,

FIG. 5 is a bottom plan view thereof.

**1 Claim, 5 Drawing Sheets**



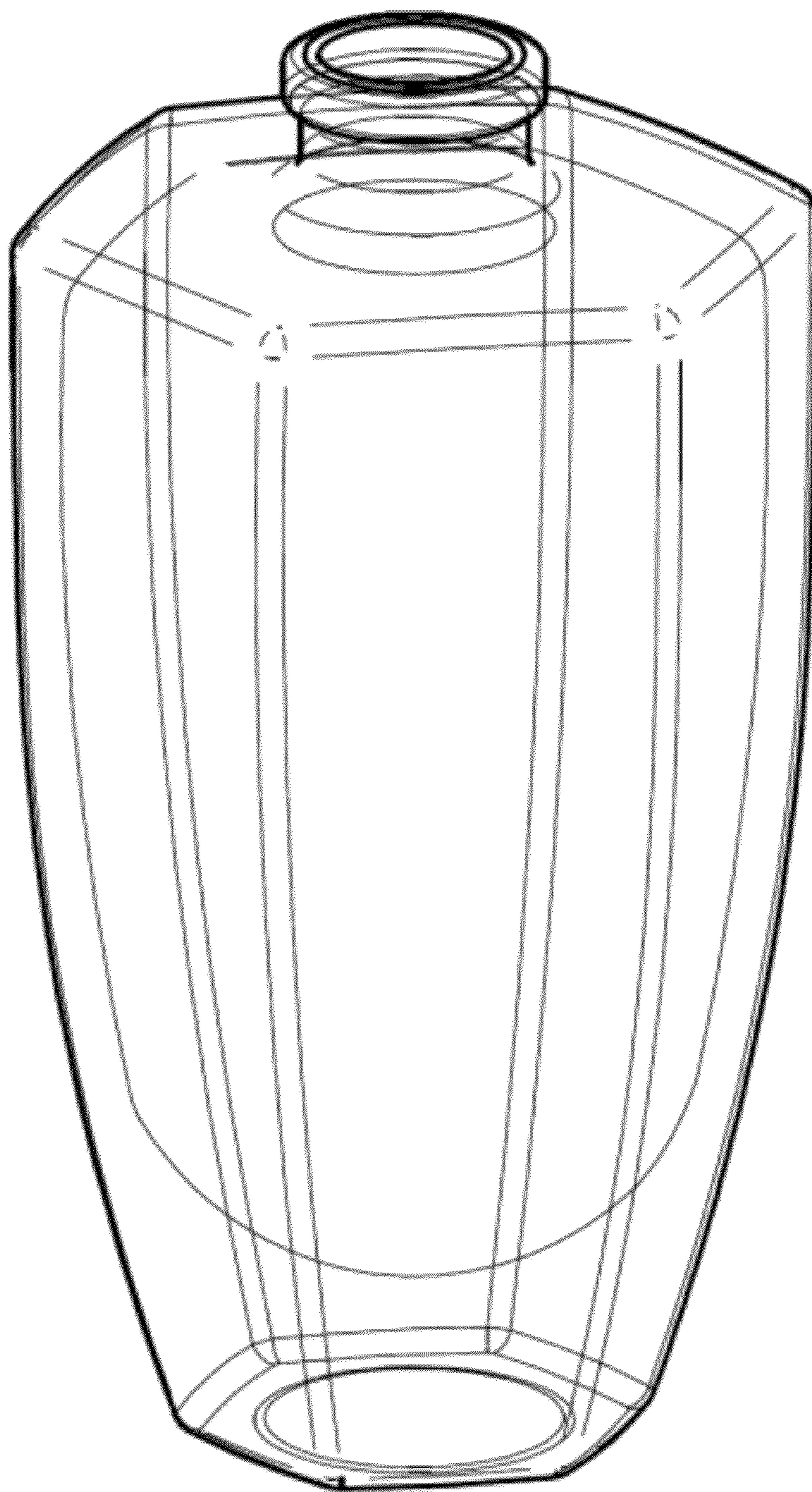


FIG. 1

FIG. 2

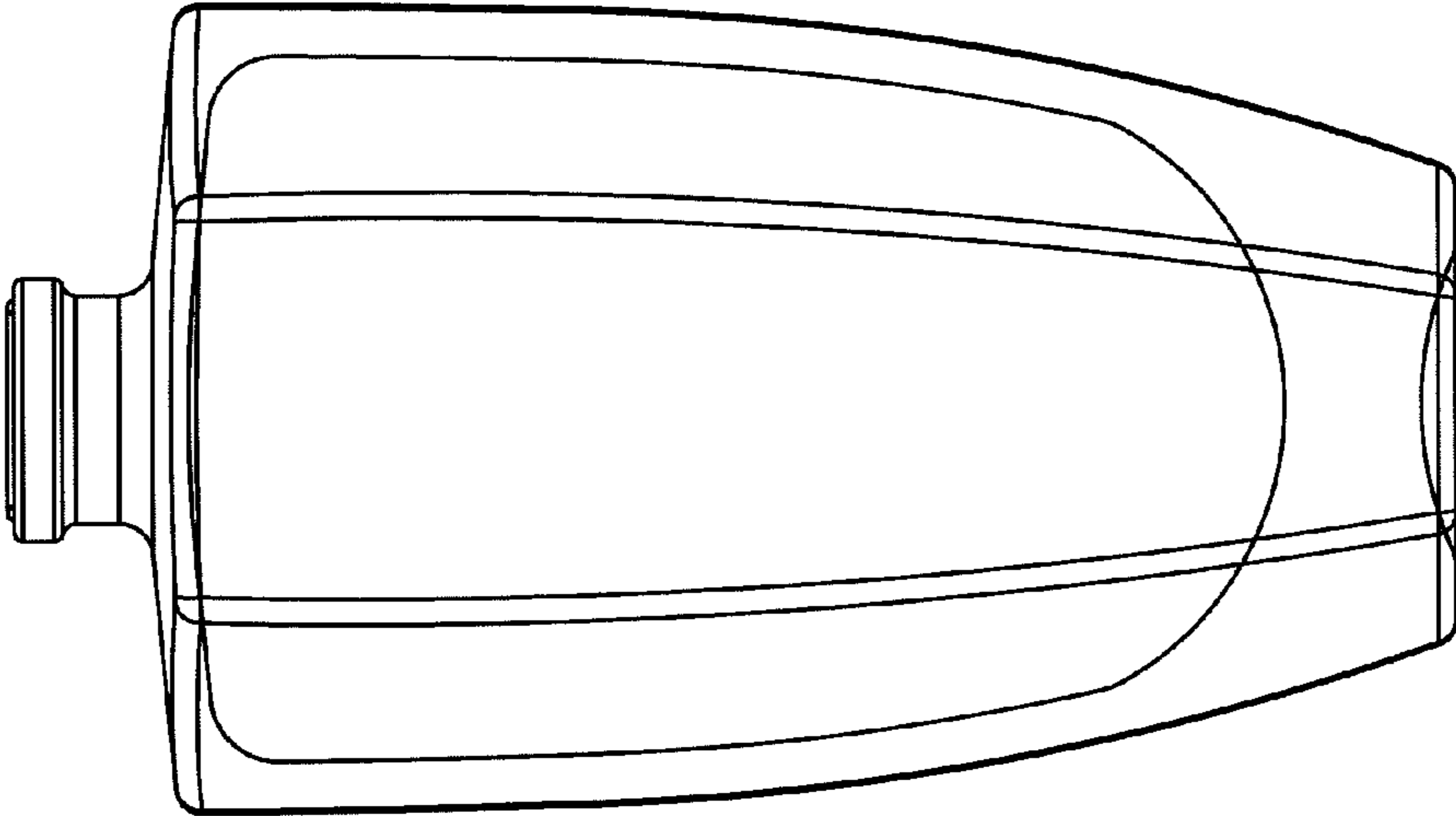
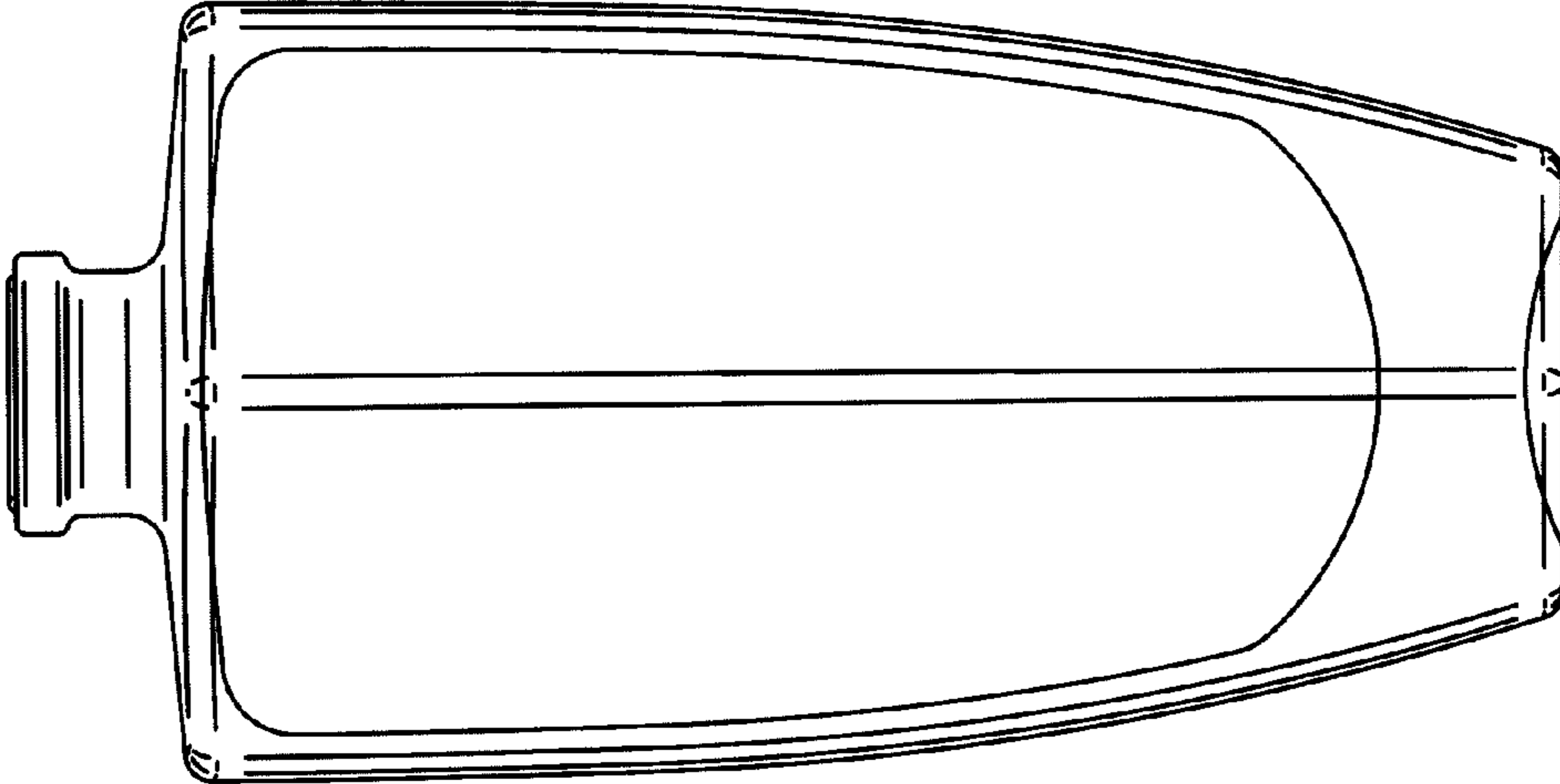




FIG. 3



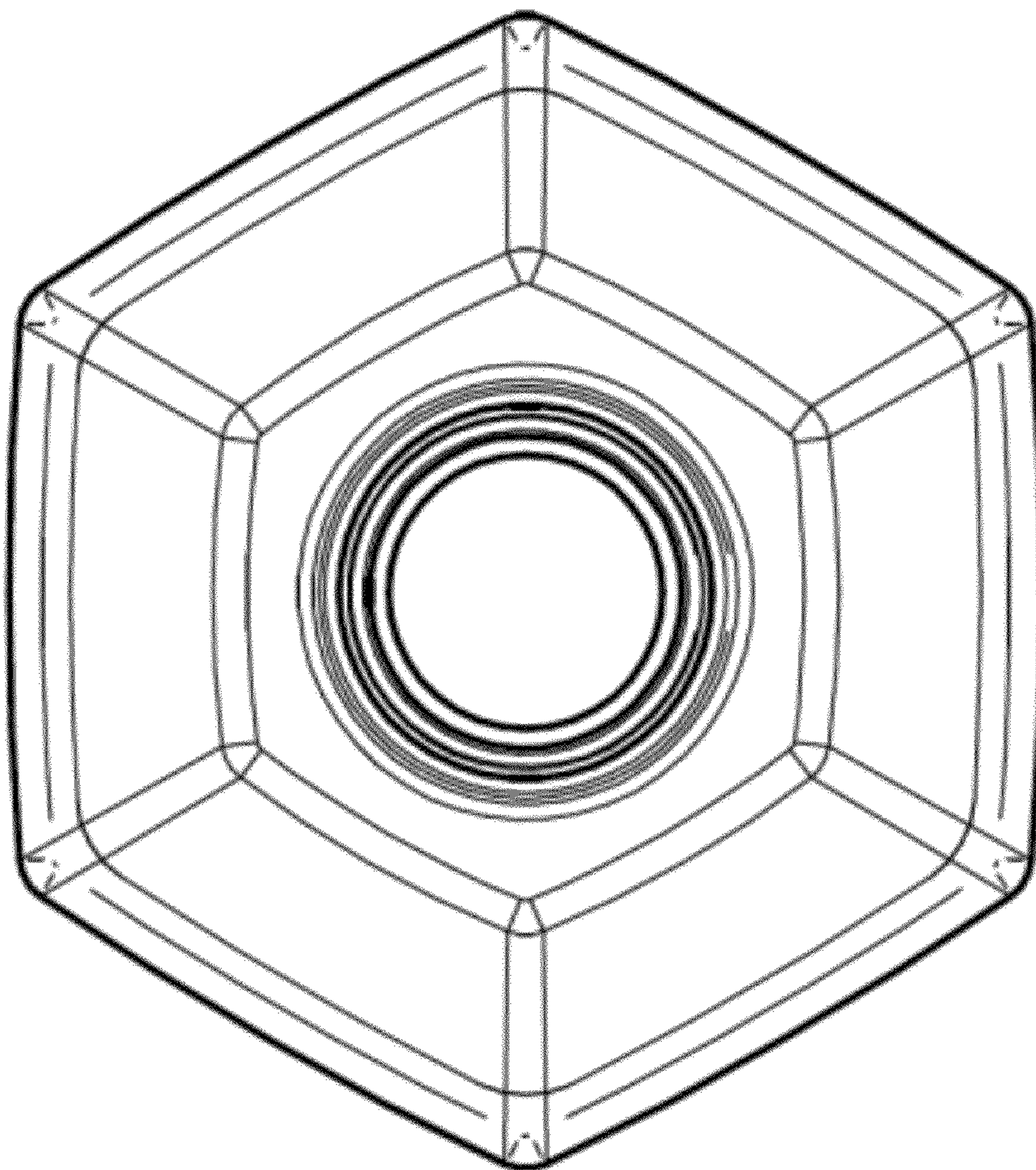


FIG. 4



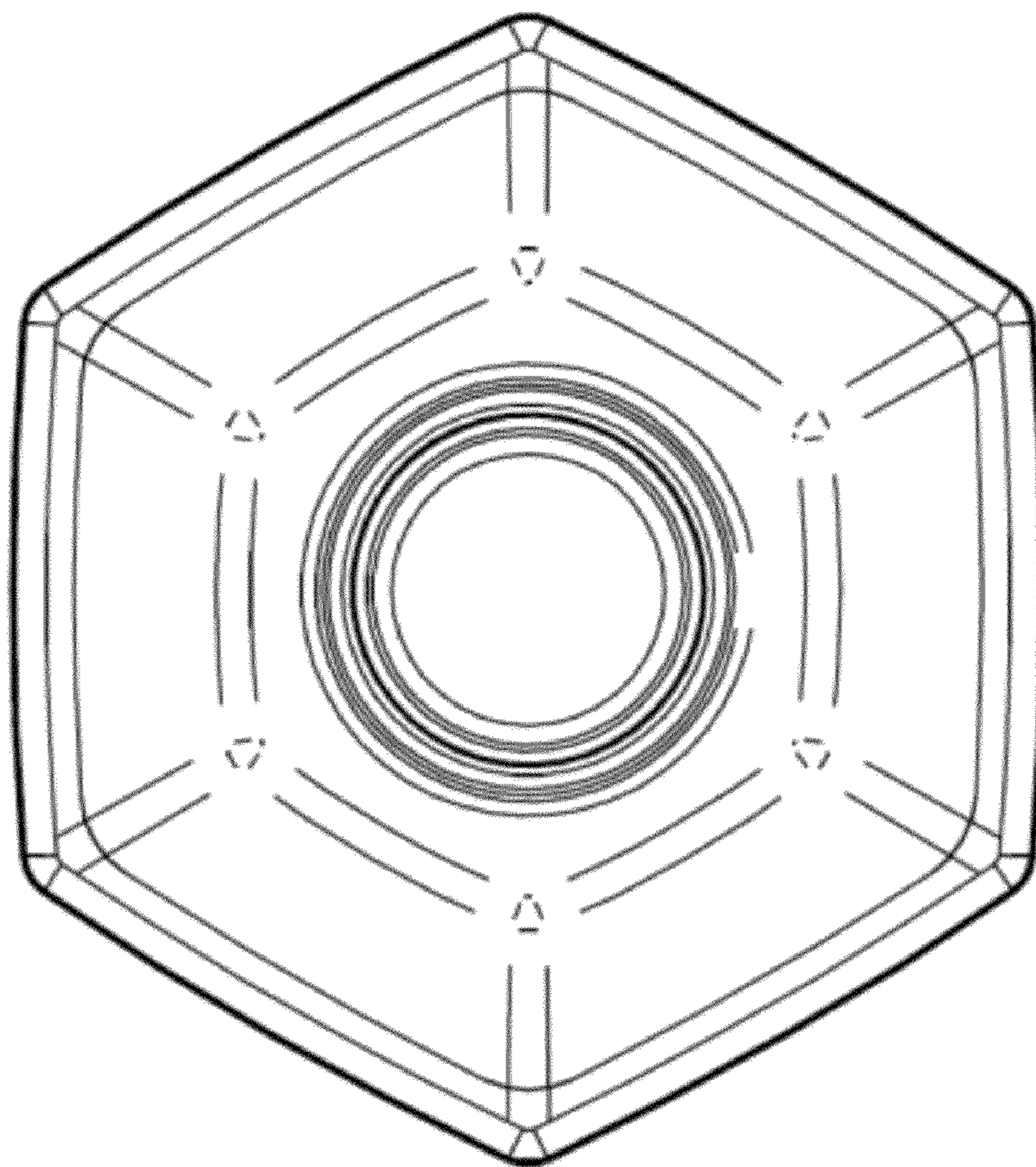


FIG. 5