



US00D658066S

(12) **United States Design Patent**
Melrose et al.

(10) **Patent No.:** **US D658,066 S**

(45) **Date of Patent:** **** Apr. 24, 2012**

(54) **CONTAINER**

(75) Inventors: **David Murray Melrose**, Auckland (NZ); **Campbell Melrose-Allen**, Auckland (NZ); **Andrew Candy**, Auckland (NZ); **Tania Maria Larsen**, Waitakerei (NZ)

(73) Assignee: **David Murray Melrose**, Auckland (NZ)

(**) Term: **14 Years**

(21) Appl. No.: **29/368,312**

(22) Filed: **Aug. 22, 2010**

(30) **Foreign Application Priority Data**

Feb. 24, 2010 (NZ) 413321

(51) **LOC (9) Cl.** **09-01**

(52) **U.S. Cl.** **D9/539; D9/552; D9/558; D9/571**

(58) **Field of Classification Search** D9/502,
D9/516, 690-694, 537-541, 545, 549, 552,
D9/556-558, 565, 571, 574; 215/382-384;
220/660, 669, 675

See application file for complete search history.

(56) **References Cited**

U.S. PATENT DOCUMENTS

D155,061 S * 8/1949 Williams D9/529
D177,271 S * 3/1956 Nash D9/539
D195,787 S * 7/1963 Thompson D9/558 X
D206,830 S * 1/1967 Marchant D9/556 X
D210,445 S * 3/1968 Bourke D9/539
D227,861 S * 7/1973 Stanley D9/552 X
D315,499 S * 3/1991 Durand D9/574
D462,618 S * 9/2002 Meeker et al. D9/549 X
D463,271 S * 9/2002 Miranda D9/549 X
6,779,673 B2 * 8/2004 Melrose et al. 215/381

D518,732 S * 4/2006 Gedanke et al. D9/571 X
D552,476 S * 10/2007 Yelland D9/538
D558,055 S * 12/2007 Ingemarsson D9/552
D586,660 S * 2/2009 Morabito D9/552
D588,921 S * 3/2009 Williams D9/537
D604,170 S * 11/2009 Poupore et al. D9/539
D617,202 S * 6/2010 Kuzma et al. D9/565 X
D620,367 S * 7/2010 Leslie et al. D9/552 X
D629,303 S * 12/2010 Toh et al. D9/552 X
D639,165 S * 6/2011 Dingenouts D9/571 X
D642,058 S * 7/2011 Runningen D9/500

FOREIGN PATENT DOCUMENTS

GB 3007749 10/2002

* cited by examiner

Primary Examiner — Carol P Rademaker

(74) *Attorney, Agent, or Firm* — Henricks, Slavin & Holmes LLP

(57) **CLAIM**

The ornamental design for a container, as shown and described.

DESCRIPTION

FIG. 1 is a front elevational view of a container showing our new design;

FIG. 2 is a back elevational view thereof;

FIG. 3 is a right elevational view thereof;

FIG. 4 is a left in elevational view there;

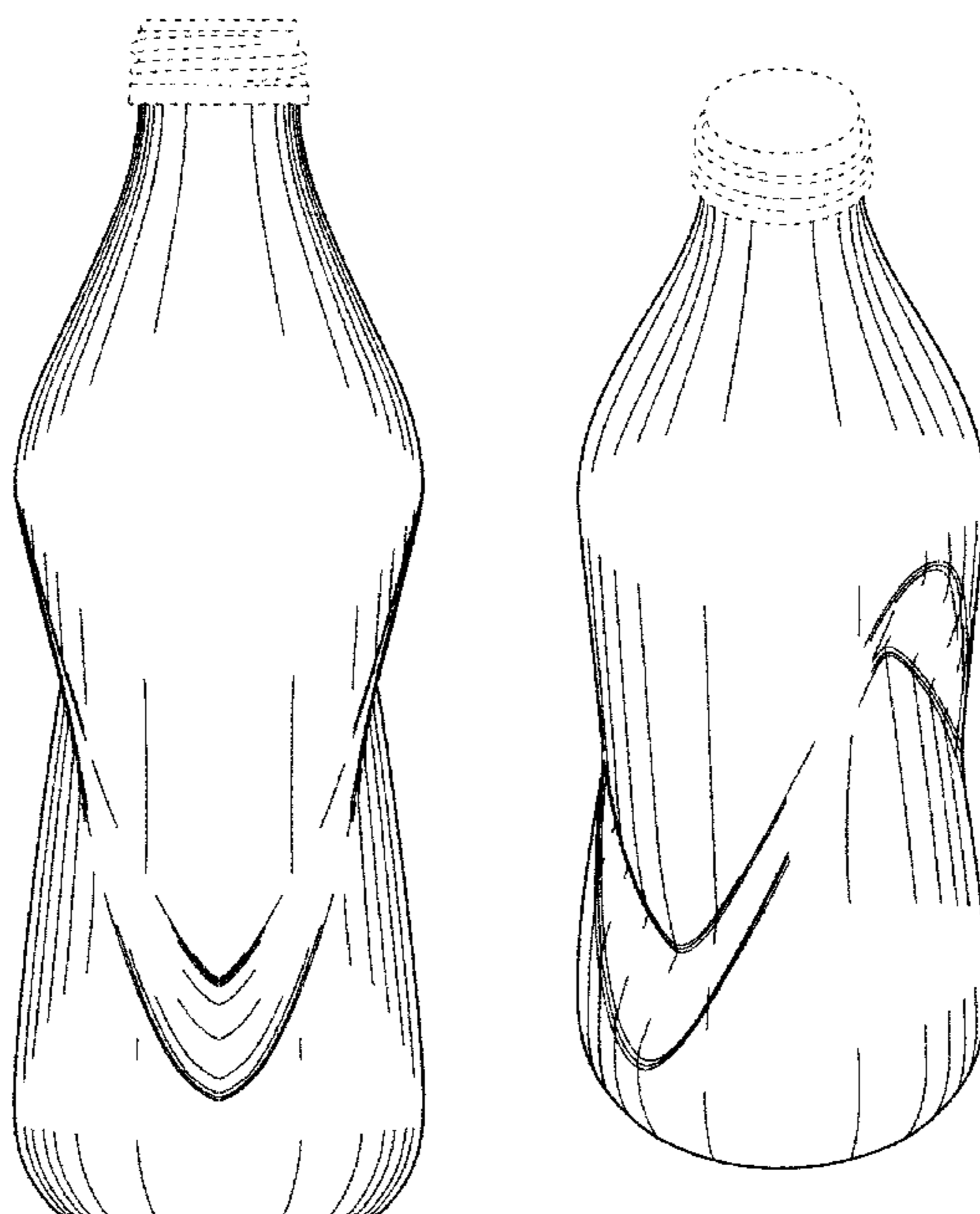
FIG. 5 is an isometric view thereof;

FIG. 6 is a top plan view thereof; and,

FIG. 7 is a bottom plan view thereof.

The broken lines showing the pour spout and threads and the central portion of the bottom surface have been included for the purpose of illustrating environmental structure and form no part of the claimed design.

1 Claim, 7 Drawing Sheets



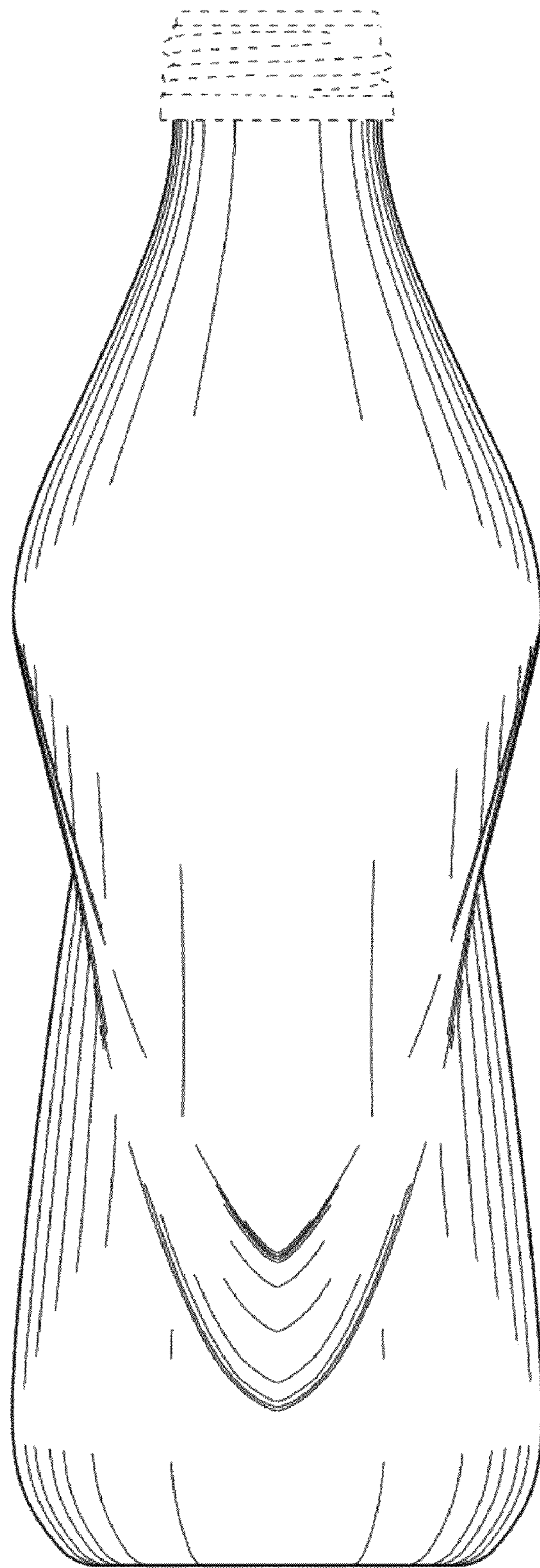


Figure 1

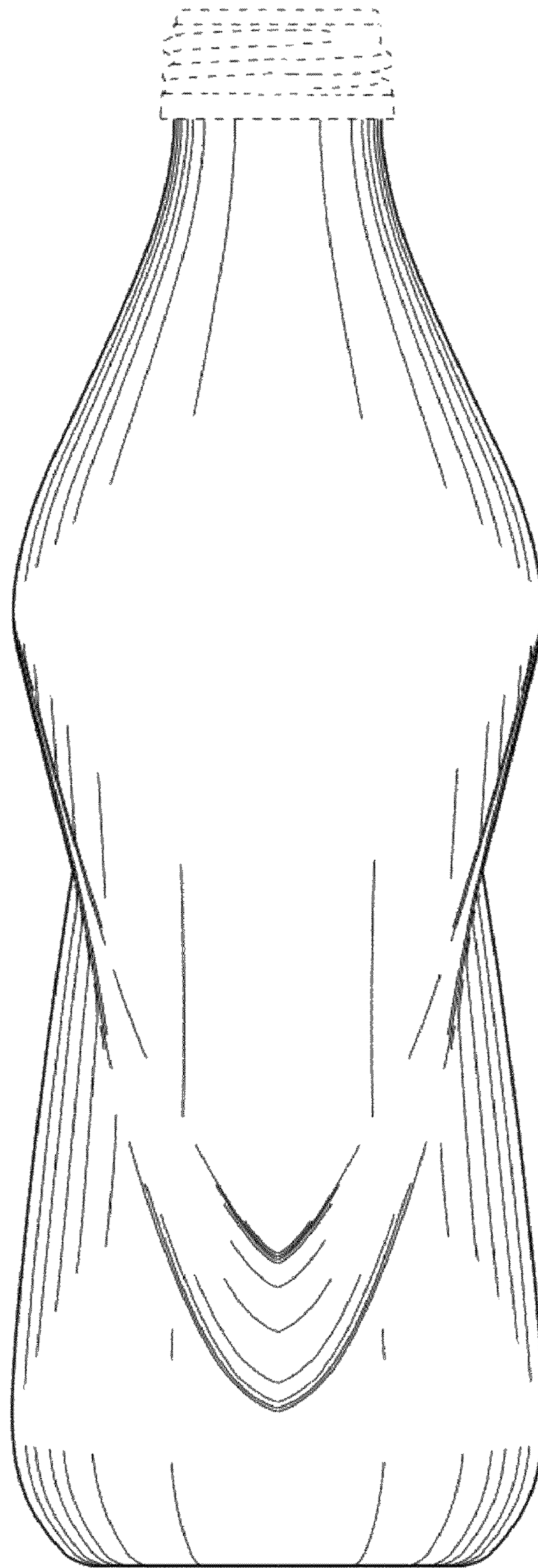


Figure 2

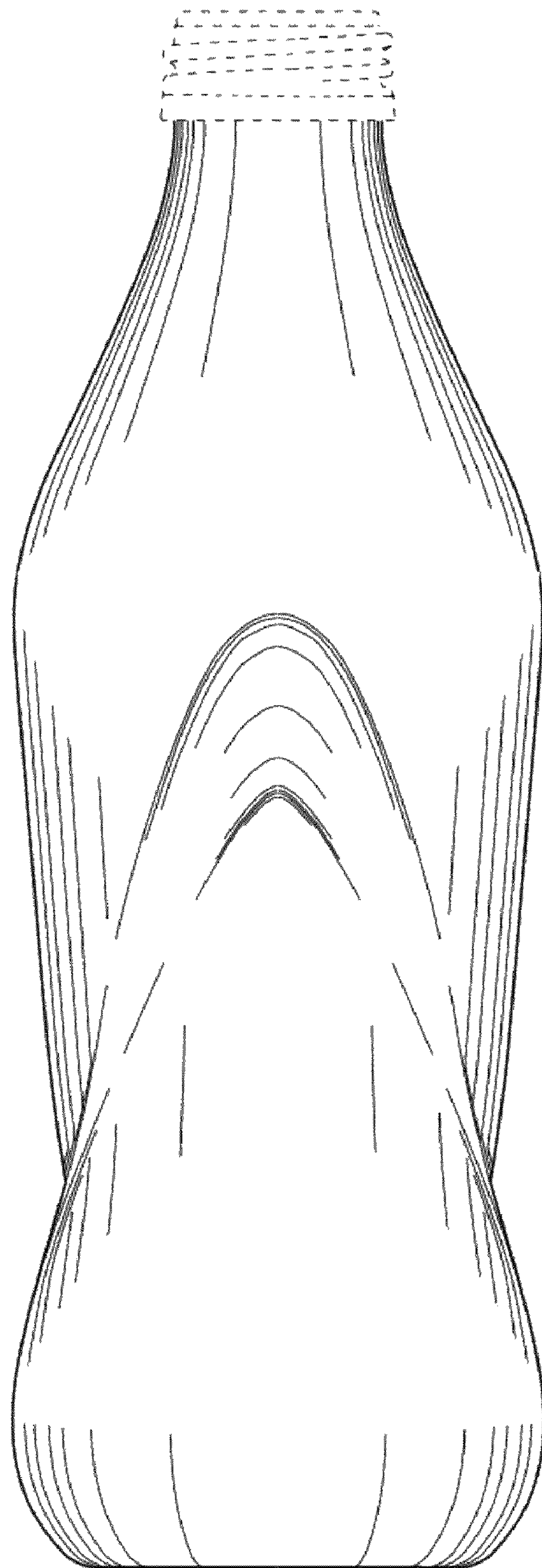


Figure 3

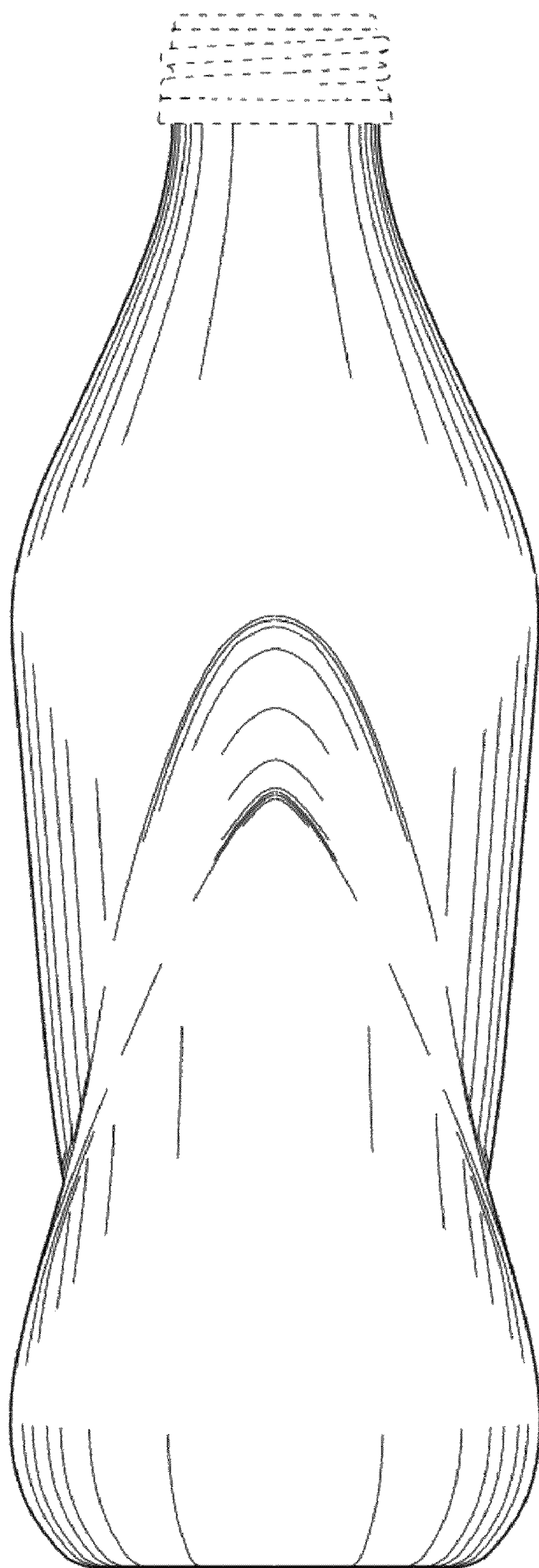


Figure 4

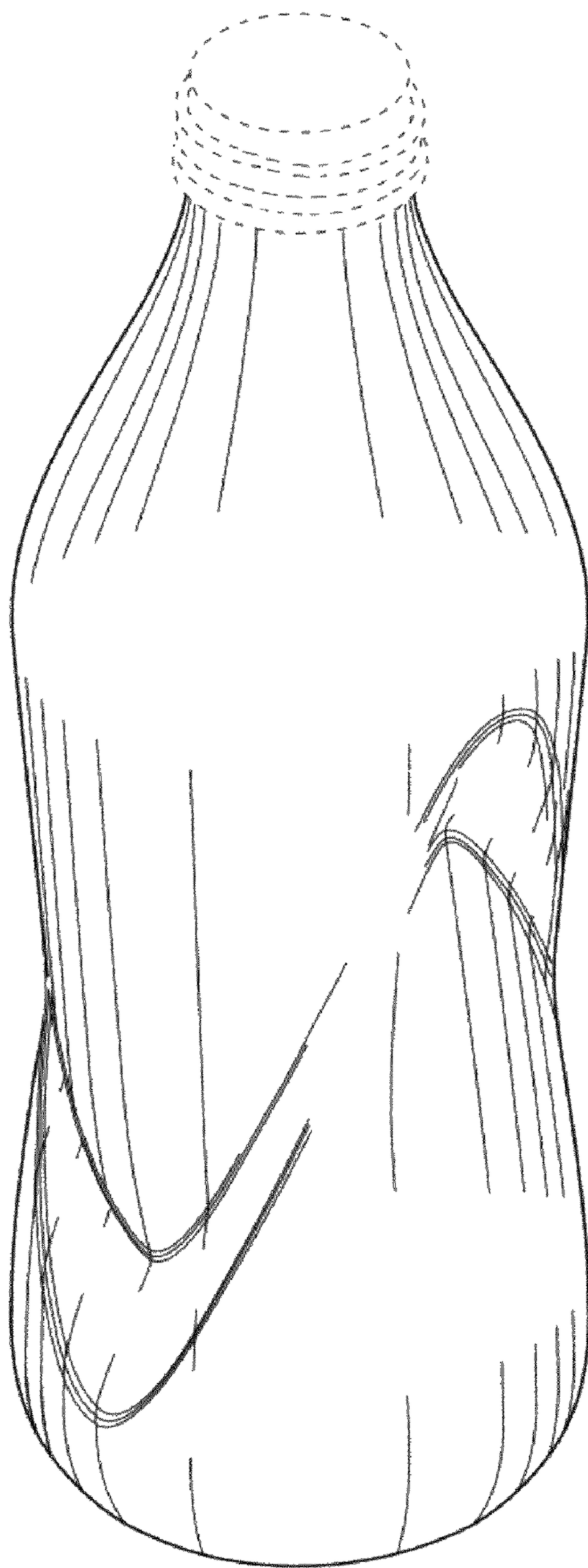


Figure 5

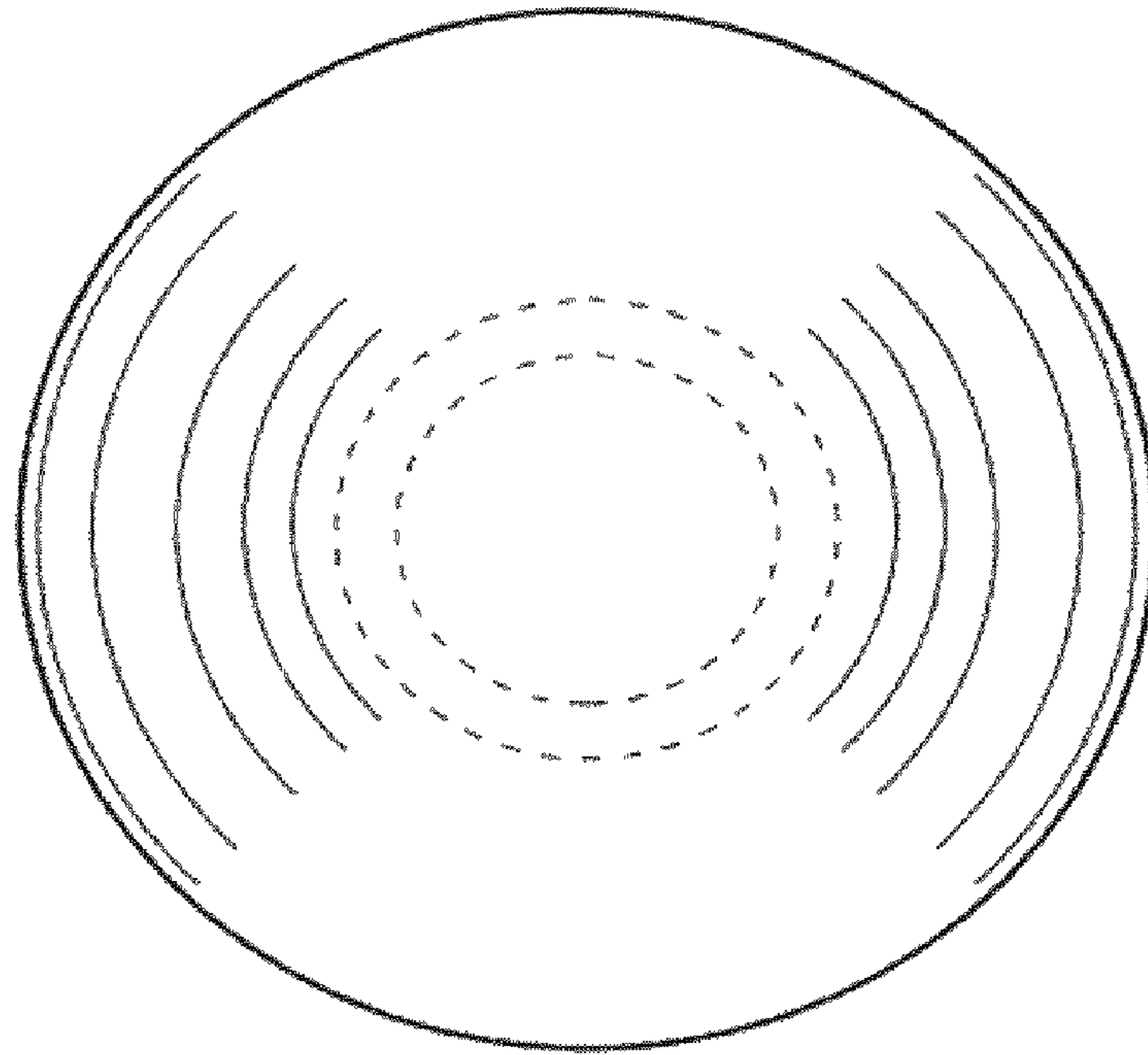


Figure 6

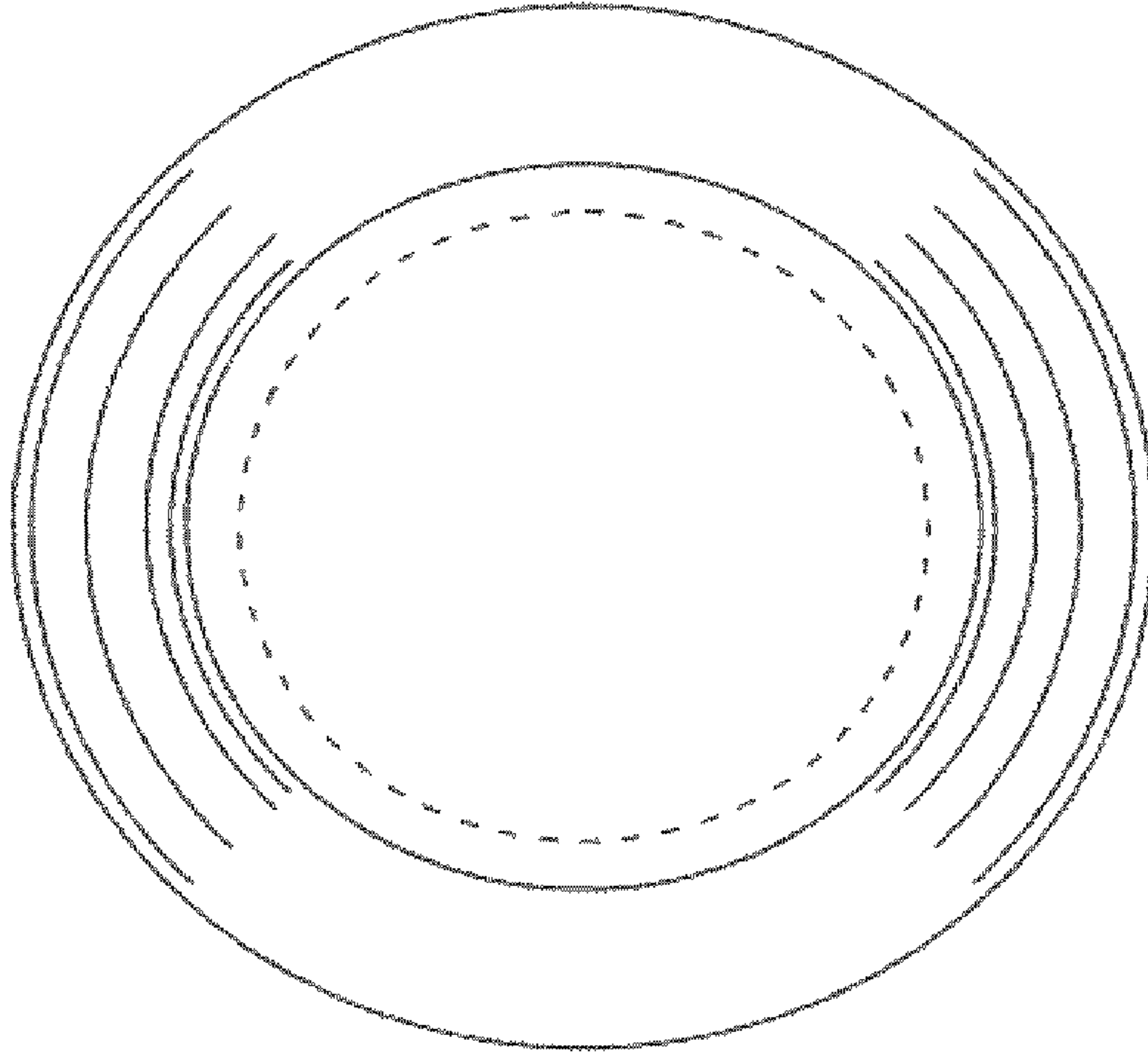


Figure 7