



US00D658060S

(12) **United States Design Patent**
Anderson et al.

(10) **Patent No.:** **US D658,060 S**
(45) **Date of Patent:** **** Apr. 24, 2012**

(54) **PACKAGE CARD FOR A PERSONAL CARE PRODUCT**

(75) Inventors: **James Joseph Anderson**, Boston, MA (US); **Carl Andrew Gerhards**, Astoria, NY (US); **Andrew A. Markle**, New York, NY (US); **Guohua Pan**, Luwan (CN)

(73) Assignee: **The Gillette Company**, Boston, MA (US)

(**) Term: **14 Years**

(21) Appl. No.: **29/377,944**

(22) Filed: **Oct. 28, 2010**

(51) **LOC (9) Cl.** **09-03**

(52) **U.S. Cl.** **D9/457**; D9/434; D20/22

(58) **Field of Classification Search** D9/713, D9/516, 457, 456, 447, 444, 443, 436, 435, D9/434; D20/40, 28, 27, 22; D11/3; 40/633, 40/321, 313, 312, 310, 124.04, 673, 307; 220/694, 258.2, 233; 215/386; D19/9, 1; 222/107, 105

See application file for complete search history.

(56) **References Cited**

U.S. PATENT DOCUMENTS

846,683	A	3/1907	Moore et al.	
D51,212	S *	8/1917	Page	D11/95
1,353,689	A	9/1920	Wilkie	
D57,707	S	4/1921	Morrison	
1,566,964	A	12/1925	Higgins	
D73,128	S *	7/1927	Harris	D20/40
1,673,176	A	6/1928	Benner	
1,712,380	A *	5/1929	De Courten et al.	40/321
1,716,975	A	6/1929	Phillips	
D82,181	S	9/1930	Sawin	
1,814,561	A	7/1931	Krumm	
1,842,542	A	1/1932	Dailey	
2,003,600	A	6/1935	Lowenfels	
2,111,884	A	3/1938	Cahaney	

2,584,379	A	2/1952	Chmielewski	
D210,323	S	2/1968	Hurley	
3,623,650	A	11/1971	Watts	
3,698,124	A *	10/1972	Reitzel et al.	446/114
RE29,185	E	4/1977	Tolaas	
D248,834	S *	8/1978	Morgan	D9/552
D312,423	S	11/1990	Orlinsky et al.	
D317,261	S	6/1991	Brown et al.	
5,078,283	A *	1/1992	Wilson	211/187
5,213,255	A	5/1993	Cote	
D339,013	S *	9/1993	Wright	D6/513
D344,102	S *	2/1994	Polak et al.	D20/11
5,375,713	A	12/1994	Horvat et al.	
D356,033	S	3/1995	Horvat et al.	
5,425,499	A	6/1995	Pfieffer	
D366,284	S	1/1996	Binkley	
D370,386	S *	6/1996	Pallesen	D7/398

(Continued)

OTHER PUBLICATIONS

Printed copy of a catalogue in Japanese that shows a similar design to our design application.

Primary Examiner — Susan Bennett Hattan

(74) *Attorney, Agent, or Firm* — John M. Lipchitz; Kevin C. Johnson; Steven M. Miller

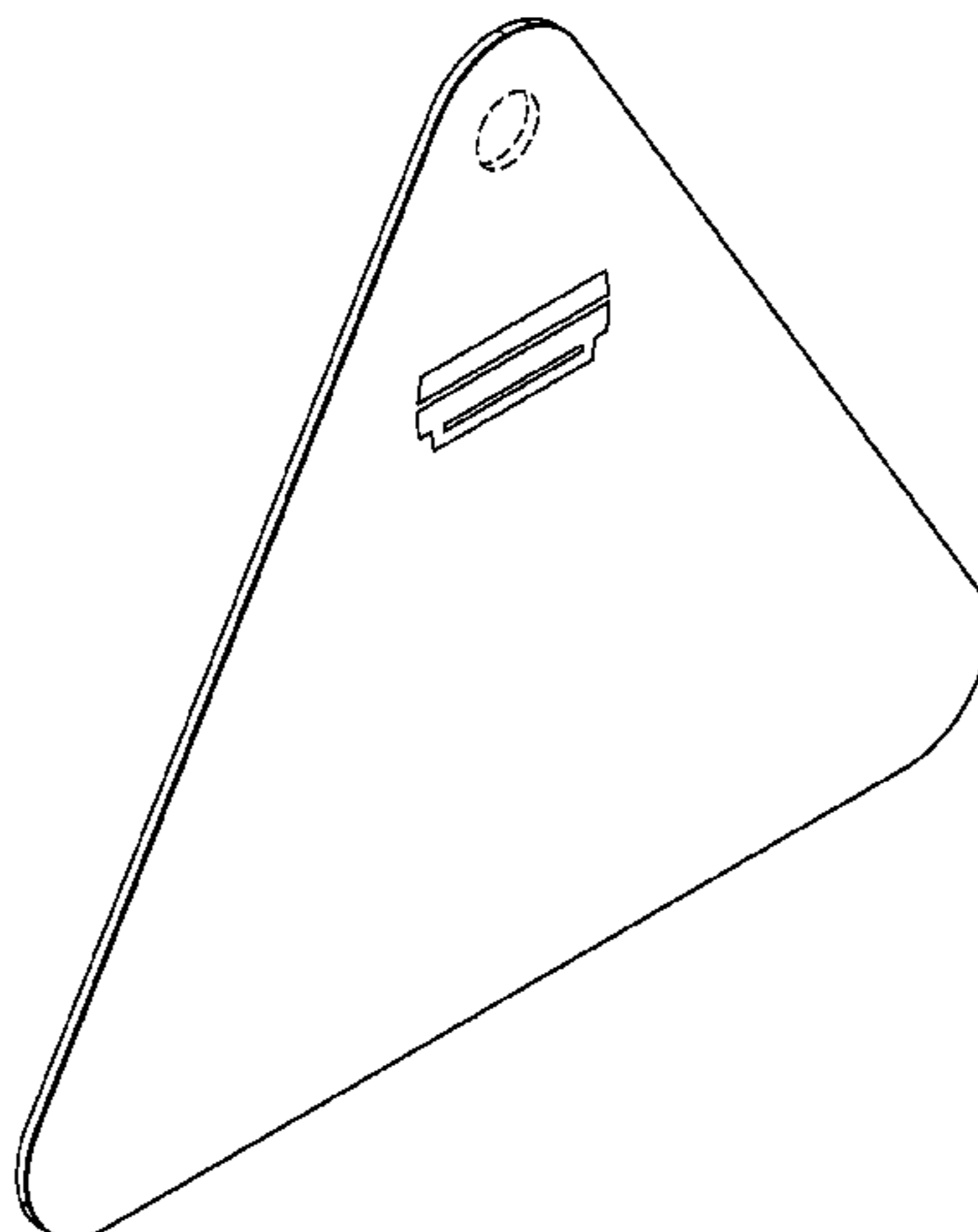
(57) **CLAIM**

The ornamental design for a package card for a personal care product, as shown and described.

DESCRIPTION

FIG. 1 is a perspective view of a package card for a personal care product of the present invention;
FIG. 2 is a top view thereof;
FIG. 3 is a bottom view thereof;
FIG. 4 is a right view thereof;
FIG. 5 is a left view thereof;
FIG. 6 is a front view thereof; and,
FIG. 7 is a rear view thereof.
The broken lines are shown for illustrative purposes only and form no part of the claimed design.

1 Claim, 3 Drawing Sheets



US D658,060 S

Page 2

U.S. PATENT DOCUMENTS

5,558,224	A	9/1996	Fogle				
D376,501	S	12/1996	Spaseska				
D376,758	S	12/1996	Bradfield				
5,651,481	A *	7/1997	Jensen	222/566		
D407,444	S *	3/1999	Gregory-Gillman	D20/22		
D418,412	S	1/2000	Komatsu				
D429,282	S *	8/2000	Velazquez et al.	D20/11		
D431,189	S	9/2000	Komatsu				
D438,699	S *	3/2001	Campman	D3/215		
D439,838	S	4/2001	Sagel et al.				
D451,951	S *	12/2001	Dusanter	D19/1		
6,360,941	B1	3/2002	Larsson				
6,443,305	B1	9/2002	Stanford et al.				
D463,976	S	10/2002	Sipinen et al.				
D465,155	S	11/2002	Weinstein et al.				
D471,451	S	3/2003	Hadeler				
D474,201	S *	5/2003	Chaudhri et al.	D14/492		
6,592,023	B2	7/2003	Li Vigni et al.				
D494,859	S	8/2004	Keberlein				
D499,112	S *	11/2004	Chaudhri et al.	D14/492		
D505,164	S	5/2005	McCabe				
6,926,196	B2	8/2005	Testerman et al.				
D534,022	S	12/2006	Sab				
D534,387	S	1/2007	Sab				
D538,357	S	3/2007	Salmon				
D556,048	S *	11/2007	Lepoitevin	D9/551		
D563,989	S *	3/2008	Hosokawa et al.	D14/492		
D589,792	S *	4/2009	Clabough et al.	D9/434		
D591,172	S	4/2009	Keberlein et al.				
D591,618	S	5/2009	Keberlein et al.				
D620,794	S	8/2010	Kohno				
D621,275	S *	8/2010	Marotti et al.	D9/600		
D640,327	S *	6/2011	Gorzo	D20/22		
2005/0235530	A1 *	10/2005	Boisvert	40/124.06		

* cited by examiner

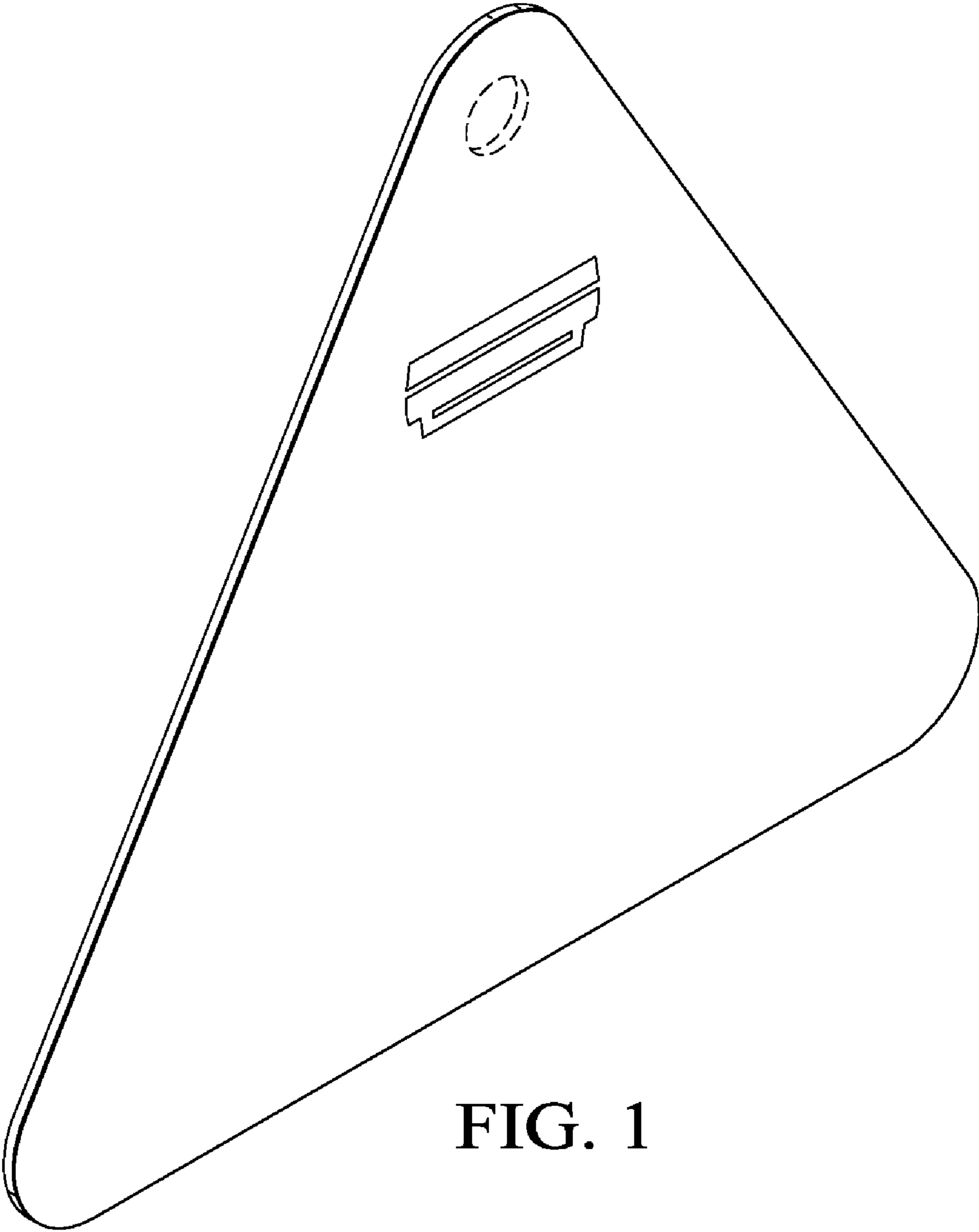


FIG. 1

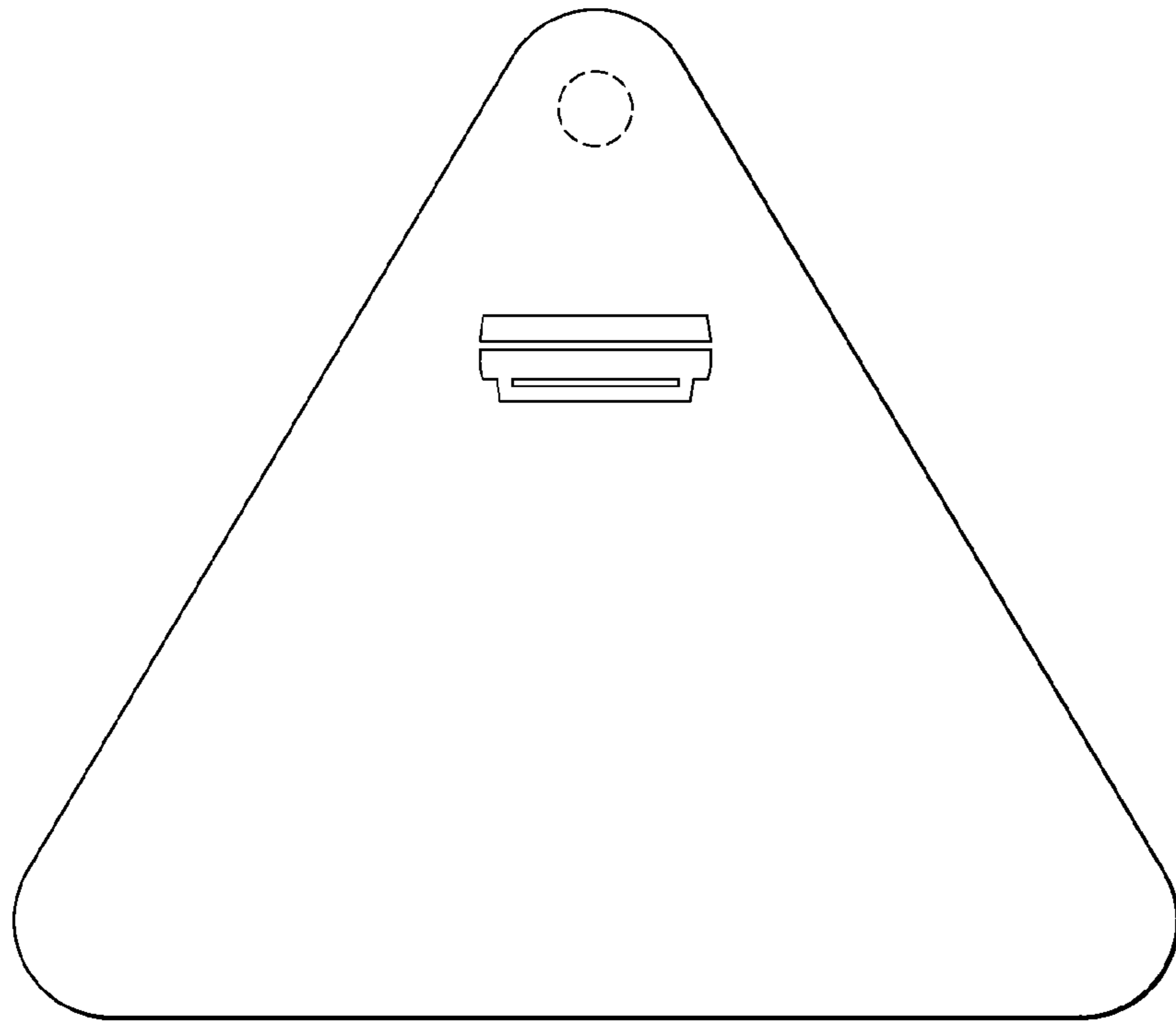


FIG. 2

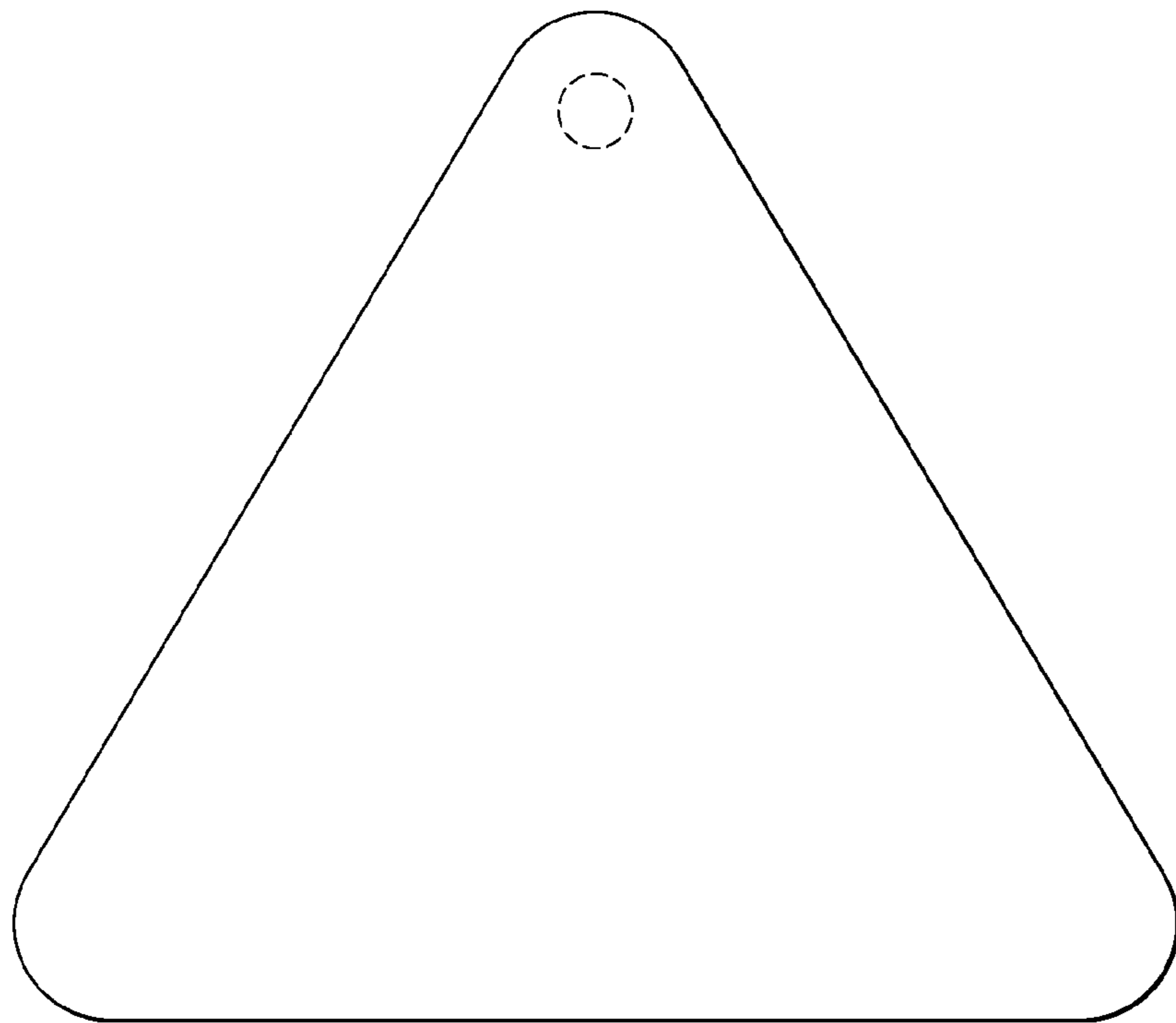


FIG. 3



FIG. 4



FIG. 5



FIG. 6



FIG. 7